

Barudan

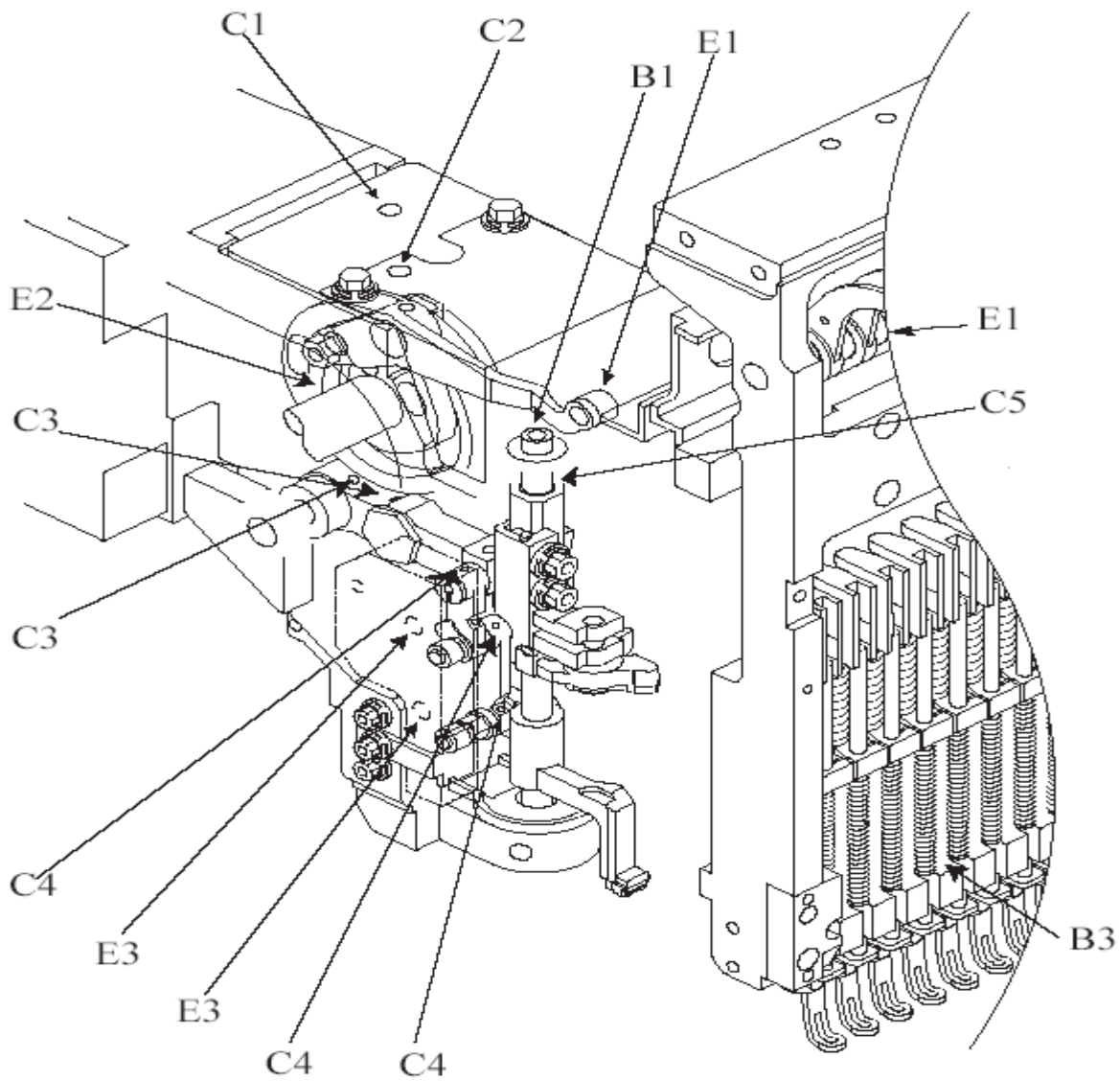
Knowledge Base > Installation and Maintenance > Oiling and Lubrication Chart for Elite Pro Machine

The information in this article applies to Barudan Elite Pro single-head embroidery machine.

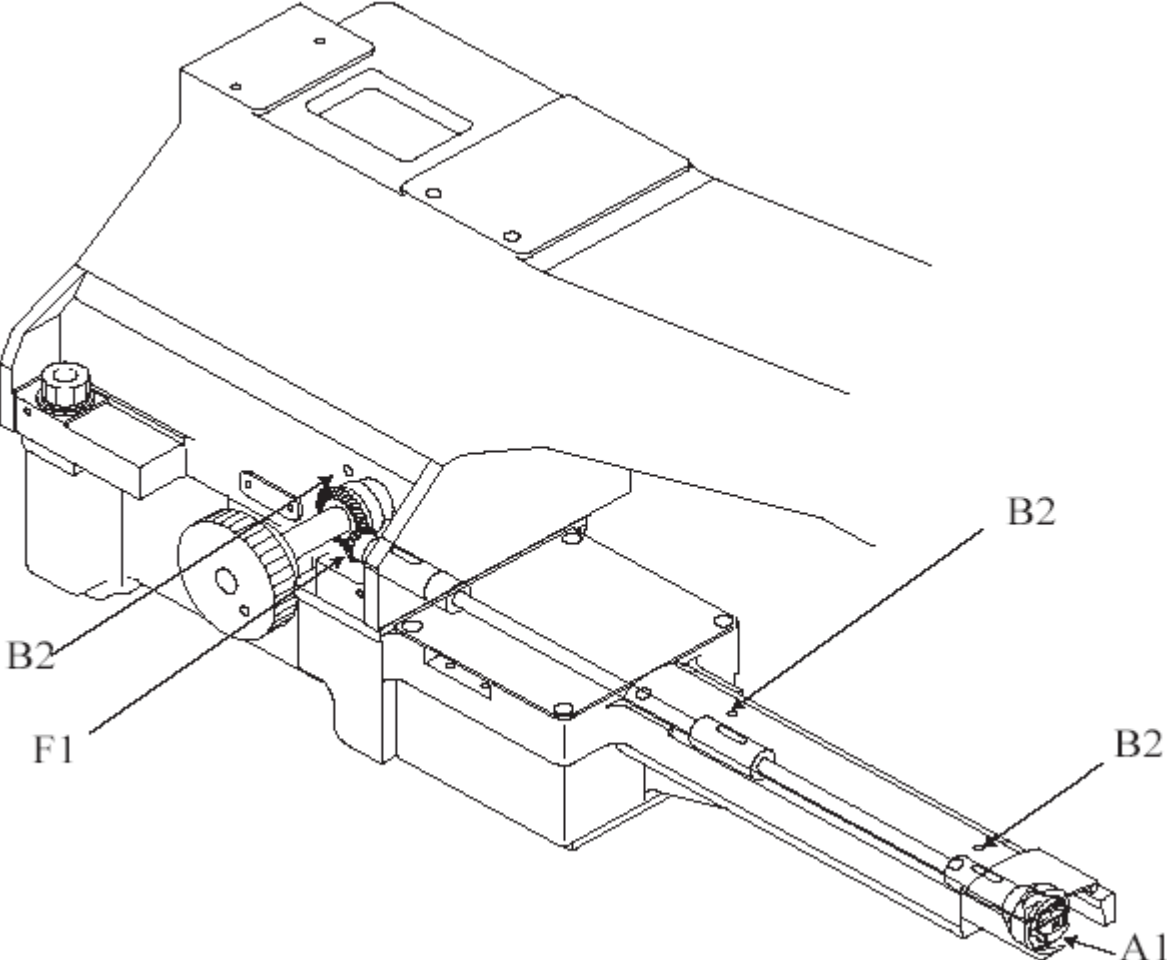
SUMMARY

This document shows the locations and service intervals for lubricating the "Elite Pro" machine.

VIEW OF UPPER HEAD



VIEW OF LOWER HEAD



Elite Pro LUBRICATION CHART

PART ID		LUBRICANT	FREQUENCY
A1	Rotating Hook	Barudan machine oil or Clear (mineral) oil for sewing machinery	Every 4 to 6 hours
B1	Drive Shaft	Barudan machine oil or Clear (mineral) oil for sewing machinery *Wipe lightly with cotton swab saturated in oil.	Once a week
B2	Hook Shaft Bushings (3)		
B3	*Needle Bars		
C1	Needle Bar Crank Rod	Bearing oil	Once a week
C2	Take-up Drive Lever		
C3	Needle Bar Drive Lever (2)		
C4	Needle Bar Drive Links (3)		
C5	Needle Bar Driving Shaft		
E1	Take-Up Lever	Lithium grease spray	Every 6 months
E2	Take-Up Lever Cam Groove		
E3	Presser Foot Cams (2)		
F1	Lower Connecting Gear	Wheel bearing grease (must remove right side head cover)	Every 6 months