

Barudan

HIGH SPEED AUTOMATIC EMBROIDERY MACHINE

BENYME-ZN/ZQ-A

BENBME-ZN/ZQ-A

4/6 HEAD MODELS

PARTS LIST

Copyright 4/01

Barudan America, Inc.
29500 Fountain Parkway
Solon, Ohio 44139 USA

Part Numbers are subject to change due to continuing improvements.

BENYME-ZN/ZQ-A
BENBME-ZN/ZQ-A
HIGH SPEED AUTOMATIC EMBROIDERY
MACHINE

Contents

Page 1

Machine Layout

- 00 Table Frame

- 01A Head-Bed A
- 01B Head-Bed B
- 02A Thread Cut A
- 02B Thread Cut B
- 02C Thread Cut C
- 02D Thread Cut D

- 03-1 Take Up Lever (ZN)
- 03-2 Take Up Lever (ZQ)

- 04A-1 Needle Bar A (ZN)
- 04A-2 Needle Bar A (ZQ)

- 04B Needle Bar B
- 04C Needle Bar C

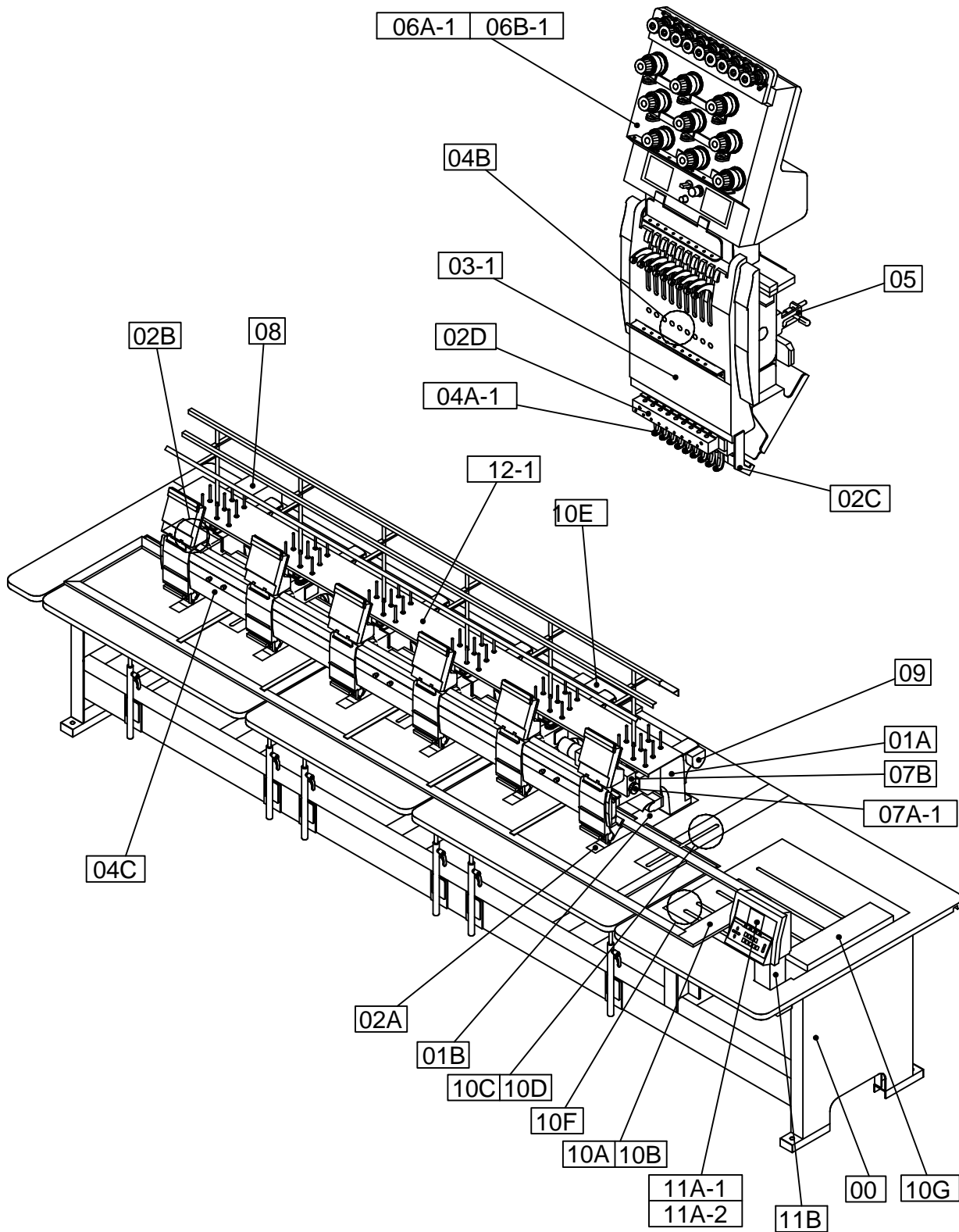
- 05 Jump

- 06A-1-1 Thread Guide A (Standard) (ZN)
- 06A-1-2 Thread Guide A (Standard) (ZN) (First Head)

Contents

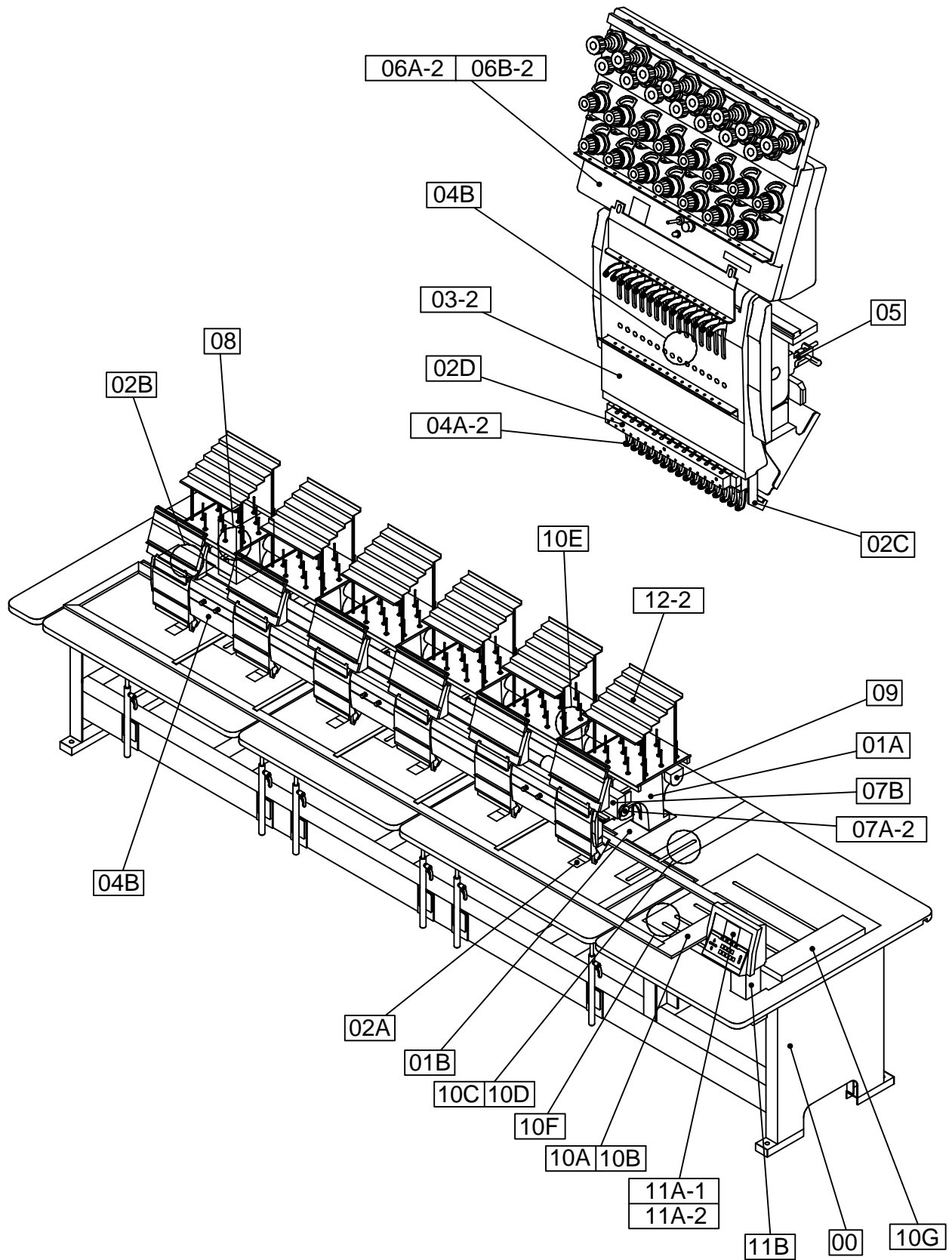
- 06A-2 Thread Guide A (Standard) (ZQ)
- 06B-1 Thread Guide B (UTSM) (ZN)
- 06B-2 Thread Guide B (UTSM) (ZQ)
- 07A-1 Color Change A (ZN)
- 07A-2 Color Change A (ZQ)
- 07B Color Change B
- 08 Drive
- 09 Connecting Shaft
- 10A Pantograph Drive A
- 10B-1 Pantograph Drive B
- 10B-2 Pantograph Hoop Support Arm
- 10C Pantograph Drive C (H-Drive)
- 10D Pantograph Drive D
- 10E Pantograph Drive E
- 10F Pantograph Drive F (V-Drive)
- 10G Pantograph Drive G
- 11A-1-1 Control A (NY)
- 11A-1-2 Control A (NY-2)
- 11A-2 Control A (NB)
- 11B Control B
- 12-1 Accessories (ZN)
- 12-2 Accessories (ZQ)

MACHINE LAYOUT (BENYME-ZN)



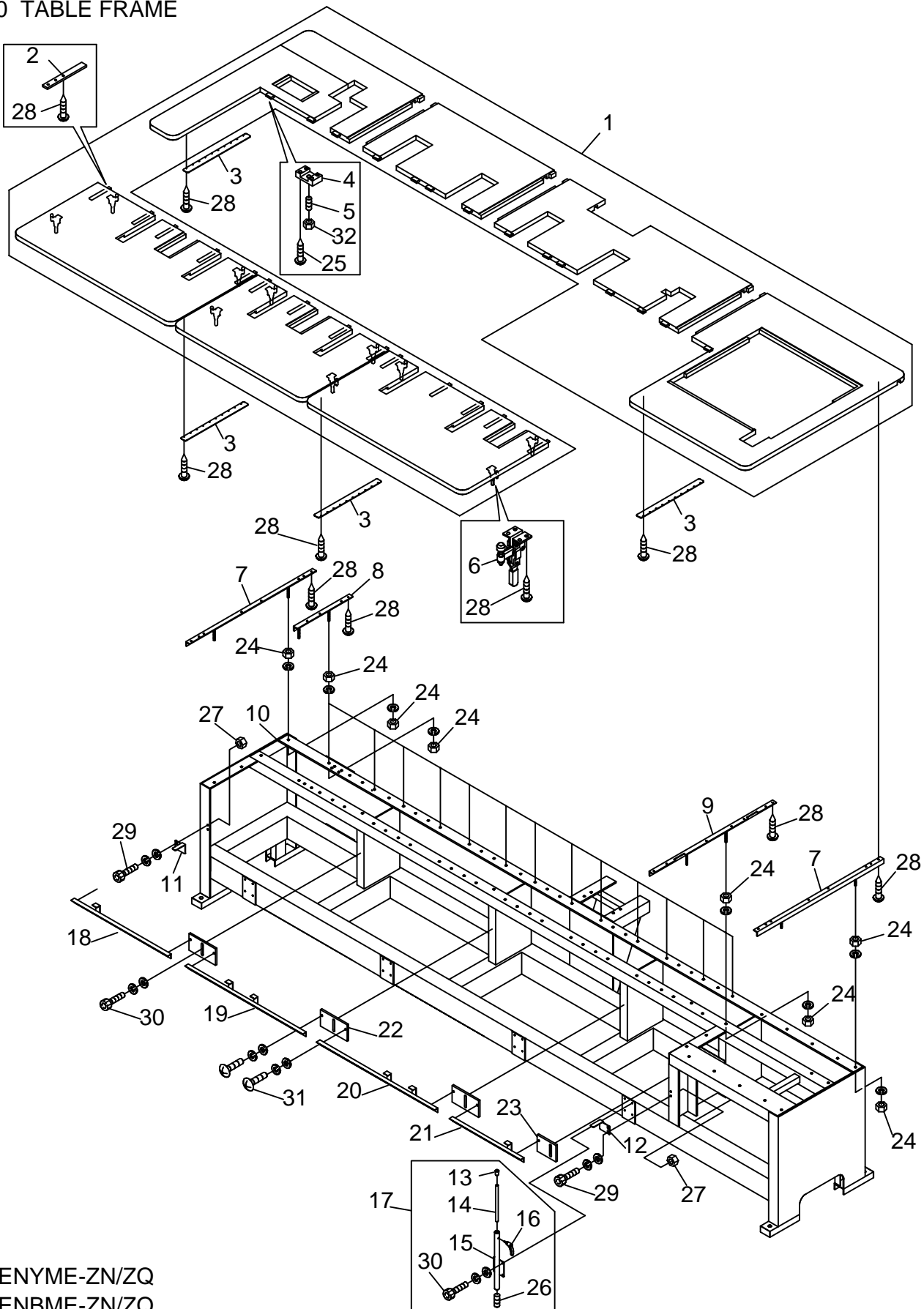
BENYME-ZN
BENBME-ZN

MACHINE LAYOUT (BENYME-ZQ)



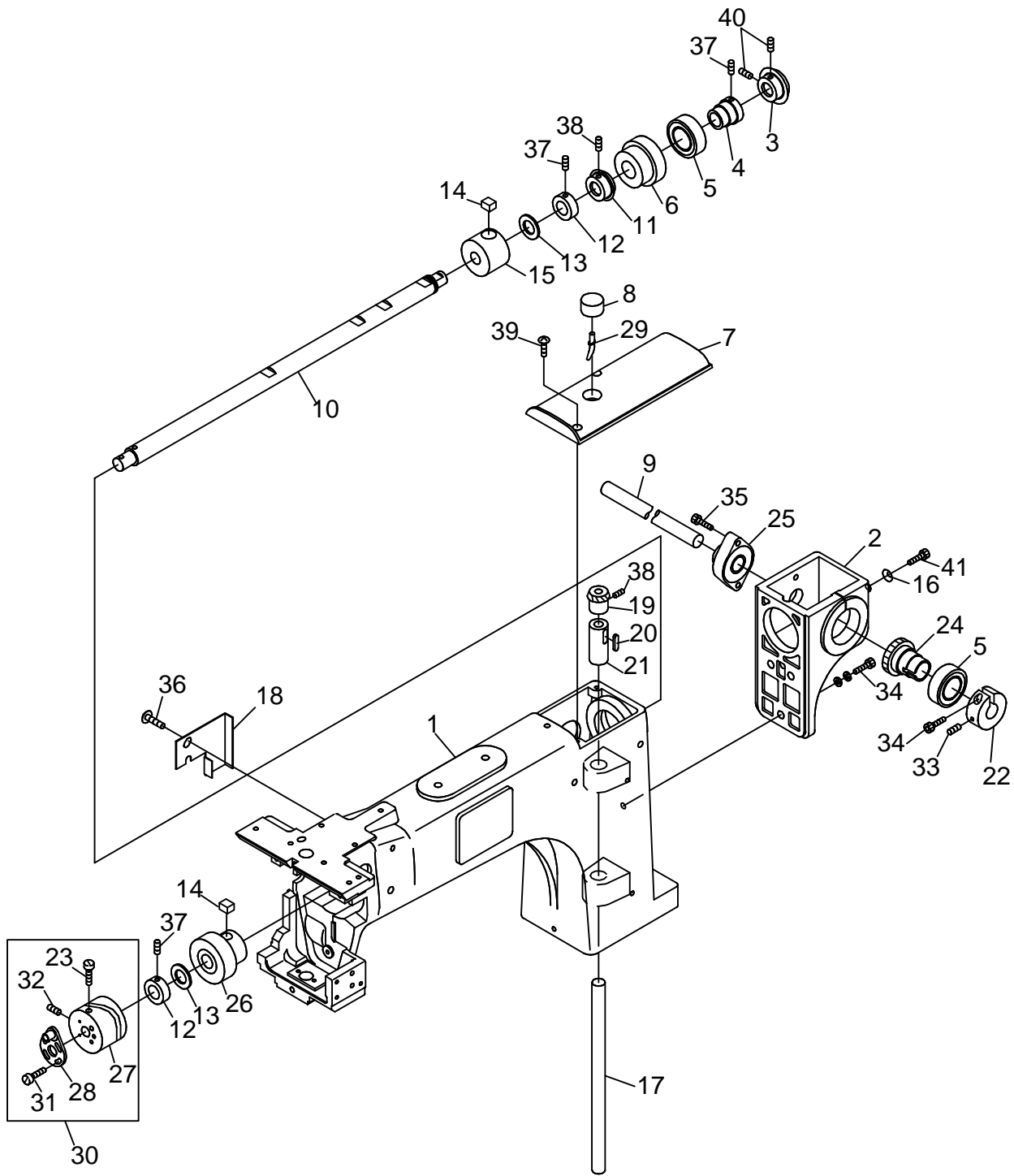
BENYME-ZQ
BENBME-ZQ

00 TABLE FRAME



BENYME-ZN/ZQ
BENBME-ZN/ZQ

01A HEAD BED A



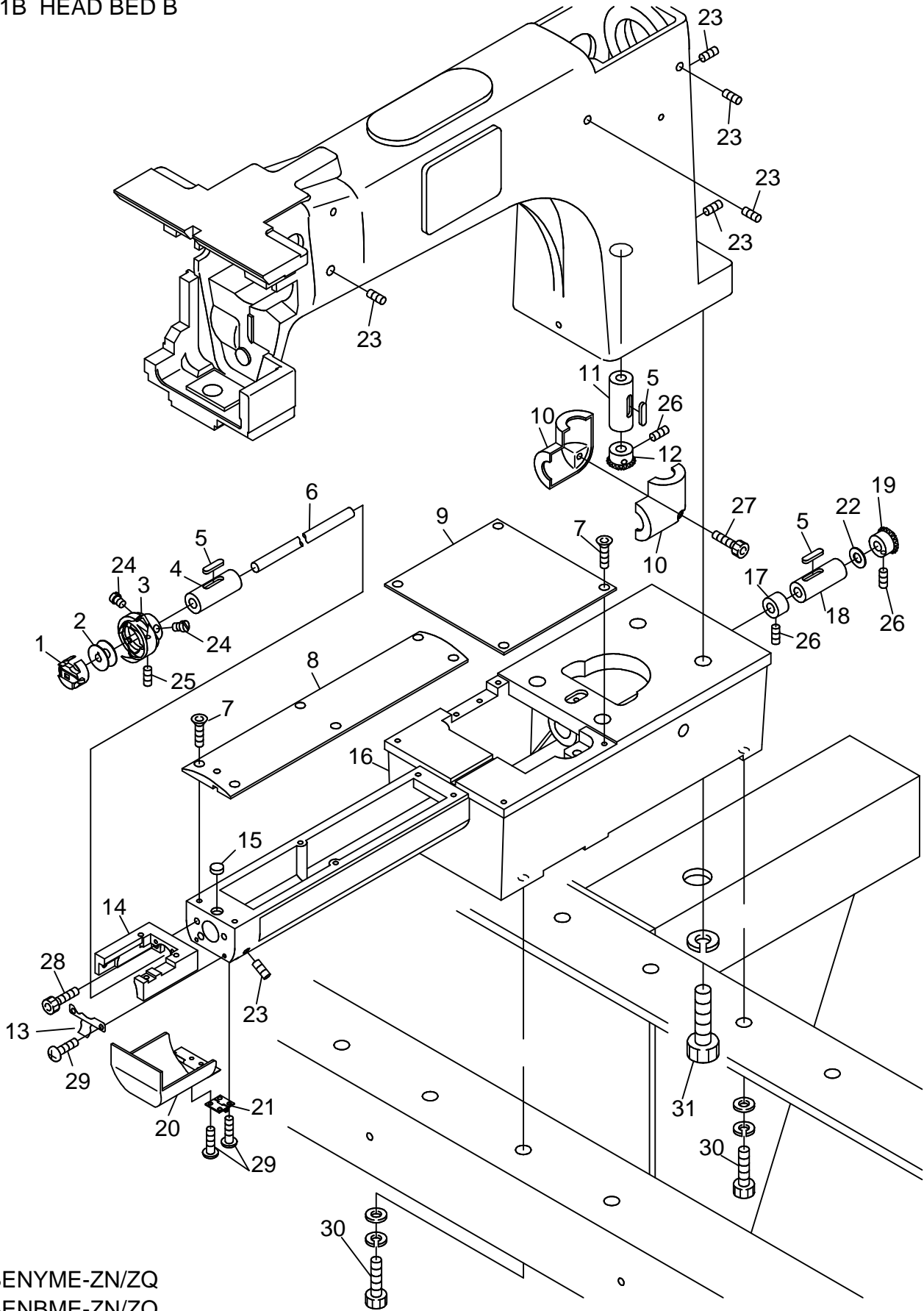
BENYME-ZN/ZQ
BENBME-ZN/ZQ

01A Head-Bed A

(H=Head Qty)

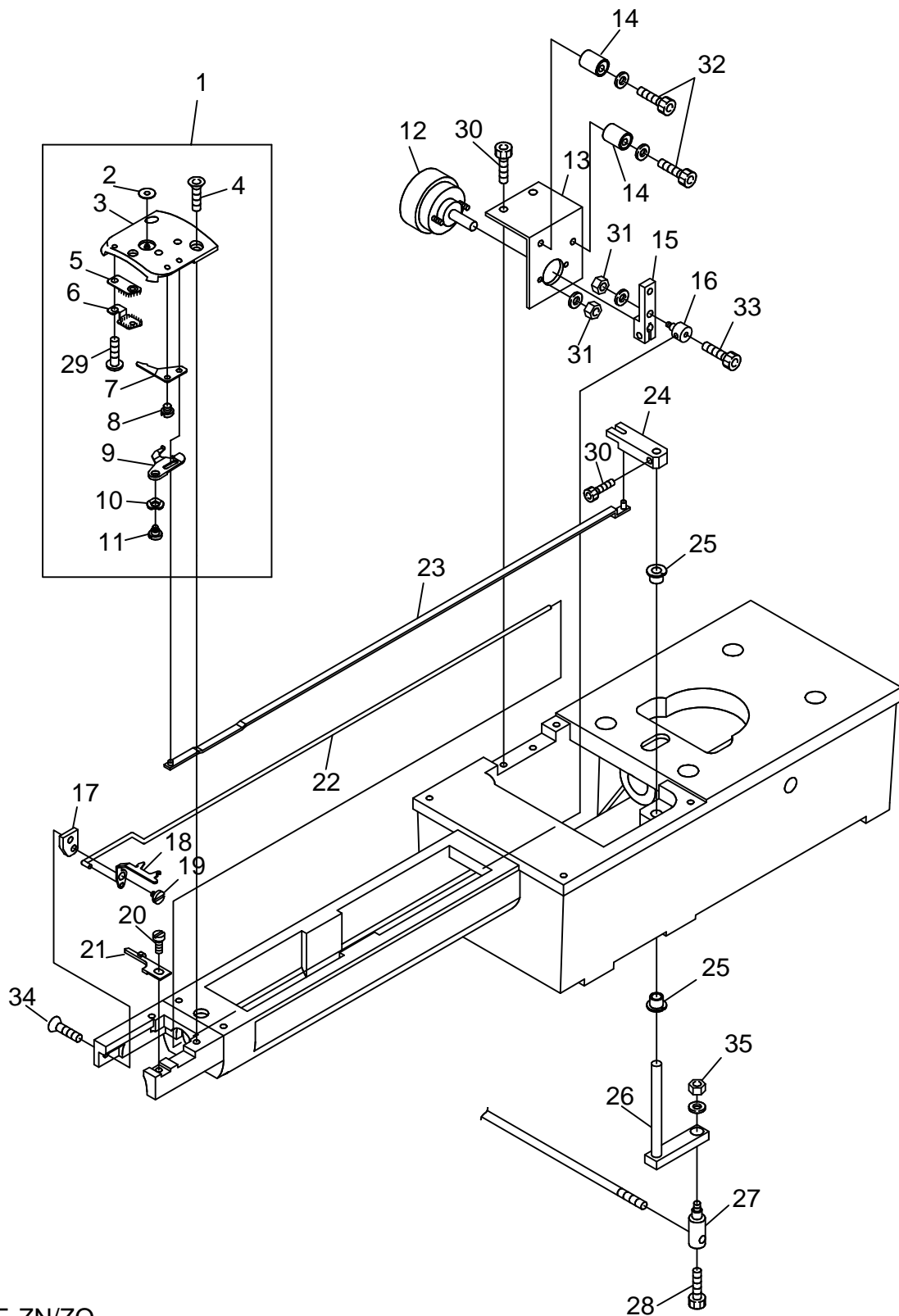
| ITEM | LIST NO. | DESCRIPTION | QTY | NOTE |
|------|----------|---|-----|-------------|
| 1. | LA210010 | Arm (ZN-A) | Hx1 | |
| 2. | KL210040 | Arm Gear Case | Hx1 | |
| 3. | KL220100 | Upper Shaft Gear (Spiral Bevel M1.5-25R) | Hx1 | |
| 4. | KL220090 | Upper Shaft Rear Bearing Collar | Hx1 | |
| 5. | A9010017 | Bearing (6004ZZ) | Hx2 | |
| 6. | KL220040 | Upper Shaft Rear Bearing Case | Hx1 | |
| 7. | KL250040 | Arm Top Cover | Hx1 | |
| 8. | KL220150 | Oil Felt D | Hx1 | |
| 9. | LB310100 | Main Shaft, Keyed (15mm X 12') (ZQ/ZNA) | 1 | Cut Product |
| 10. | KL220000 | Upper Shaft | Hx1 | |
| 11. | KF220130 | Bevel Gear (Upper Shaft) | Hx1 | |
| 12. | KL220080 | Upper Shaft Collar | Hx2 | |
| 13. | HP231390 | Thrust Washer (Upper Shaft Gear) | Hx2 | |
| 14. | KL220130 | Oil Felt B | Hx2 | |
| 15. | KL220030 | Upper Shaft (Middle Metal) | Hx1 | |
| 16. | | Disk Spring (M6) | | |
| 17. | KL220010 | Vertical Shaft | Hx1 | |
| 18. | KL250051 | Arm Side Cable Cover | Hx1 | |
| 19. | KF220460 | Bevel Gear (Vertical Shaft Upper) | Hx1 | |
| 20. | KL220140 | Oil Felt C | Hx1 | |
| 21. | KL220050 | Vertical Shaft Metal (Upper) | Hx1 | |
| 22. | KL320020 | Connecting Gear Clamp (19.0 Dia.) | Hx1 | |
| 23. | KF230420 | Take Up Lever Cam Set Screw | Hx1 | |
| 24. | KL320000 | Connecting Gear (Spiral Bevel M1.5-25L) | Hx1 | |
| 25. | HP321140 | Upper Shaft Connecting Unit | Hx1 | |
| 26. | KL220020 | Upper Shaft Front Metal | Hx1 | |
| 27. | KB230030 | Take Up Lever Cam (K6) | Hx1 | |
| 28. | KB230050 | 90° Crank | Hx1 | |
| 29. | KC251330 | Oil Core (L=75) | Hx1 | |
| 30. | KB230011 | Take Up Cam (K6 Assembly) | Hx1 | |
| 31. | A9012007 | Bobbin Fixing Screw (SM11/64-40x7) | Hx1 | |
| 32. | | Set Screw (SM15/64-28x10, with Adhesive) | | |
| 33. | | Hex Socket Set Screw M6x10 | | |
| 34. | | Hex Socket Bolt M6x25 | | |
| 35. | | Hex Socket Bolt M6x8 (with Spring Washer) | | |
| 36. | | Truss Screw M4x8 | | |
| 37. | | Hex Socket Set Screw M6x6 | | |
| 38. | | Set Screw (SM1/4-40x4) | | |
| 39. | | Truss Screw M4x10 | | |
| 40. | | Hex Socket Set Screw M6x6 (with Adhesive) | | |
| 41. | | Hex Socket Bolt M6x60 | | |

01B HEAD BED B



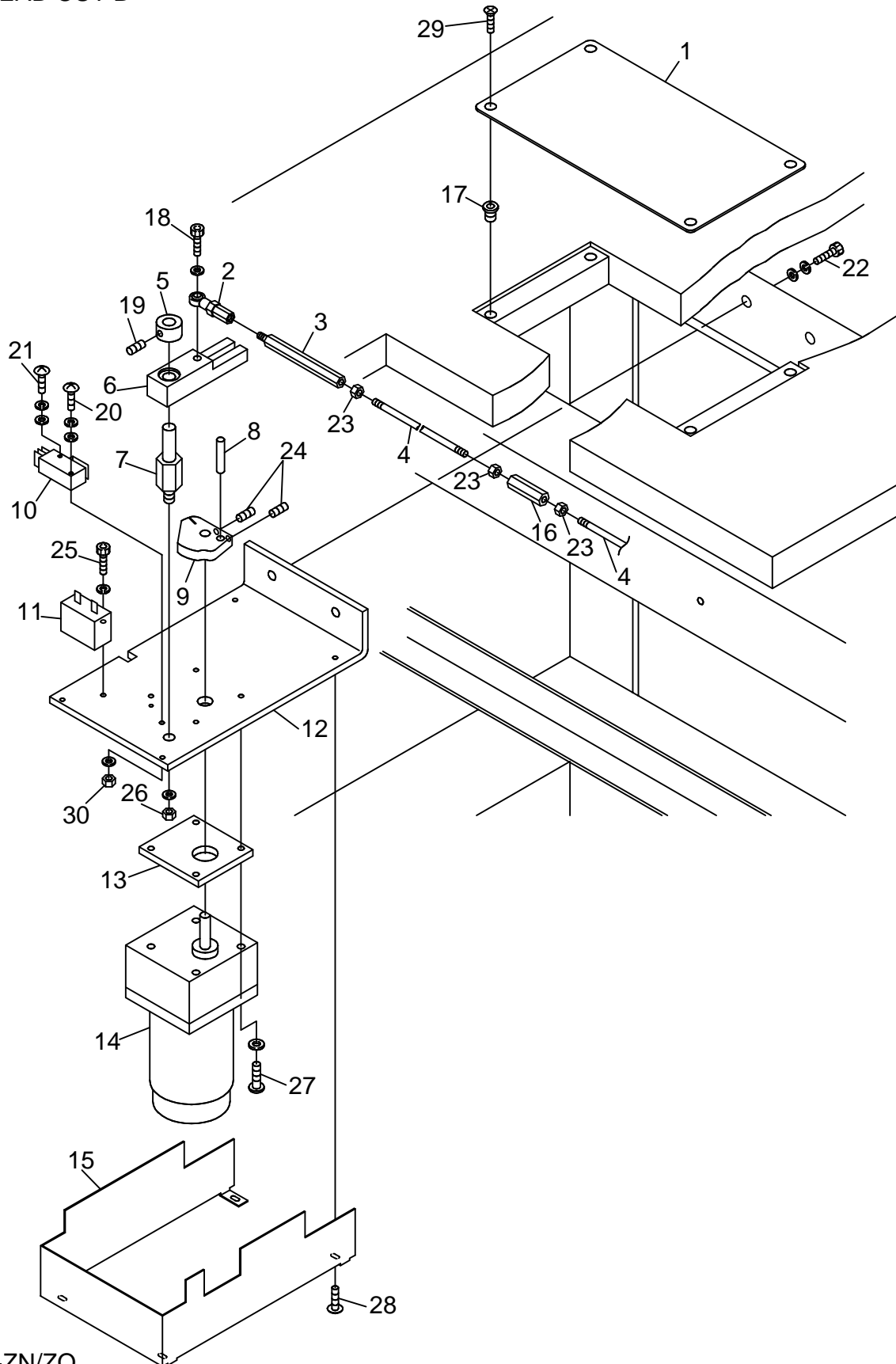
BENYME-ZN/ZQ
BENBME-ZN/ZQ

02A THREAD CUT A



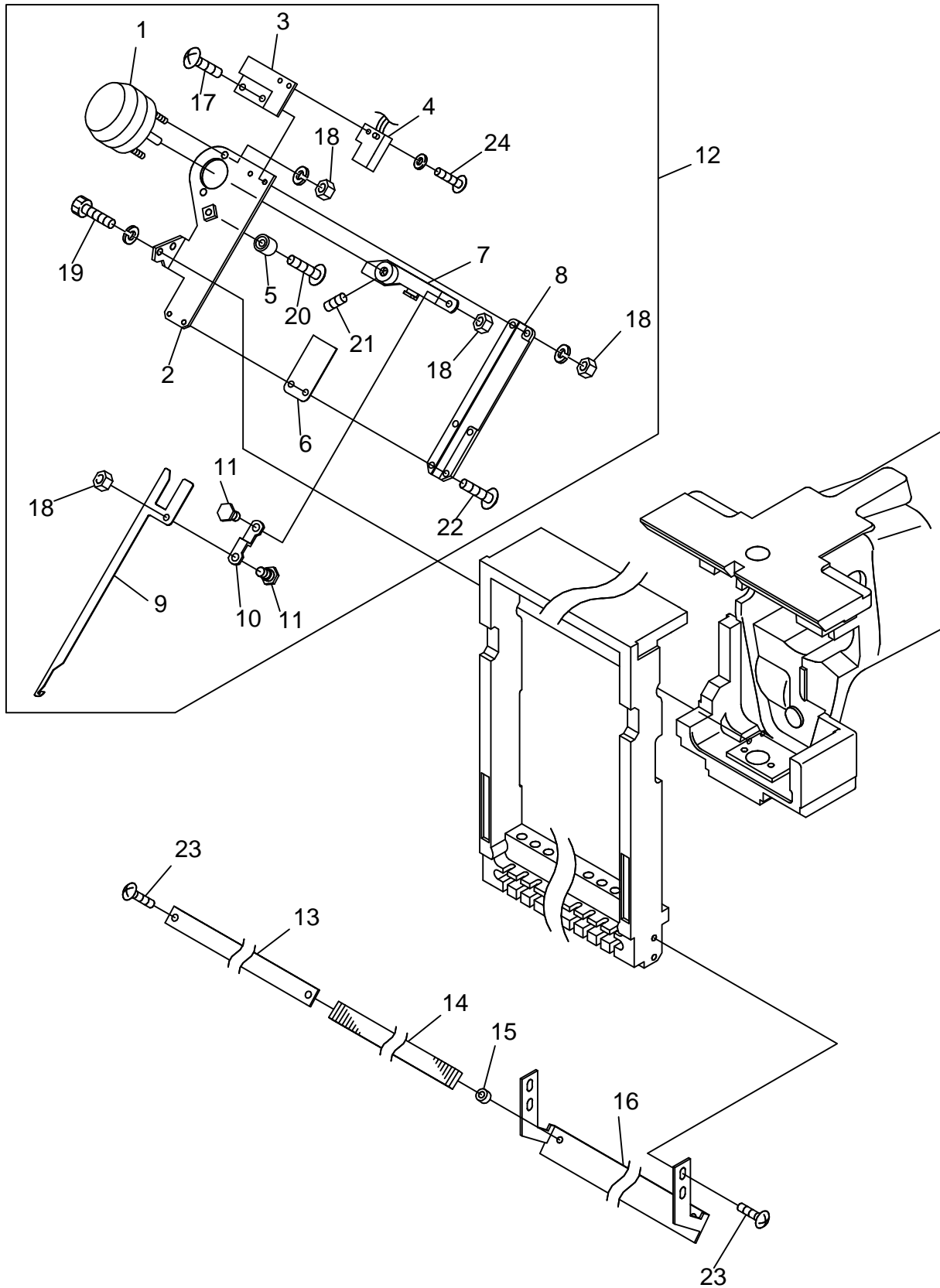
BENYME-ZN/ZQ
BENBME-ZN/ZQ

02B THREAD CUT B



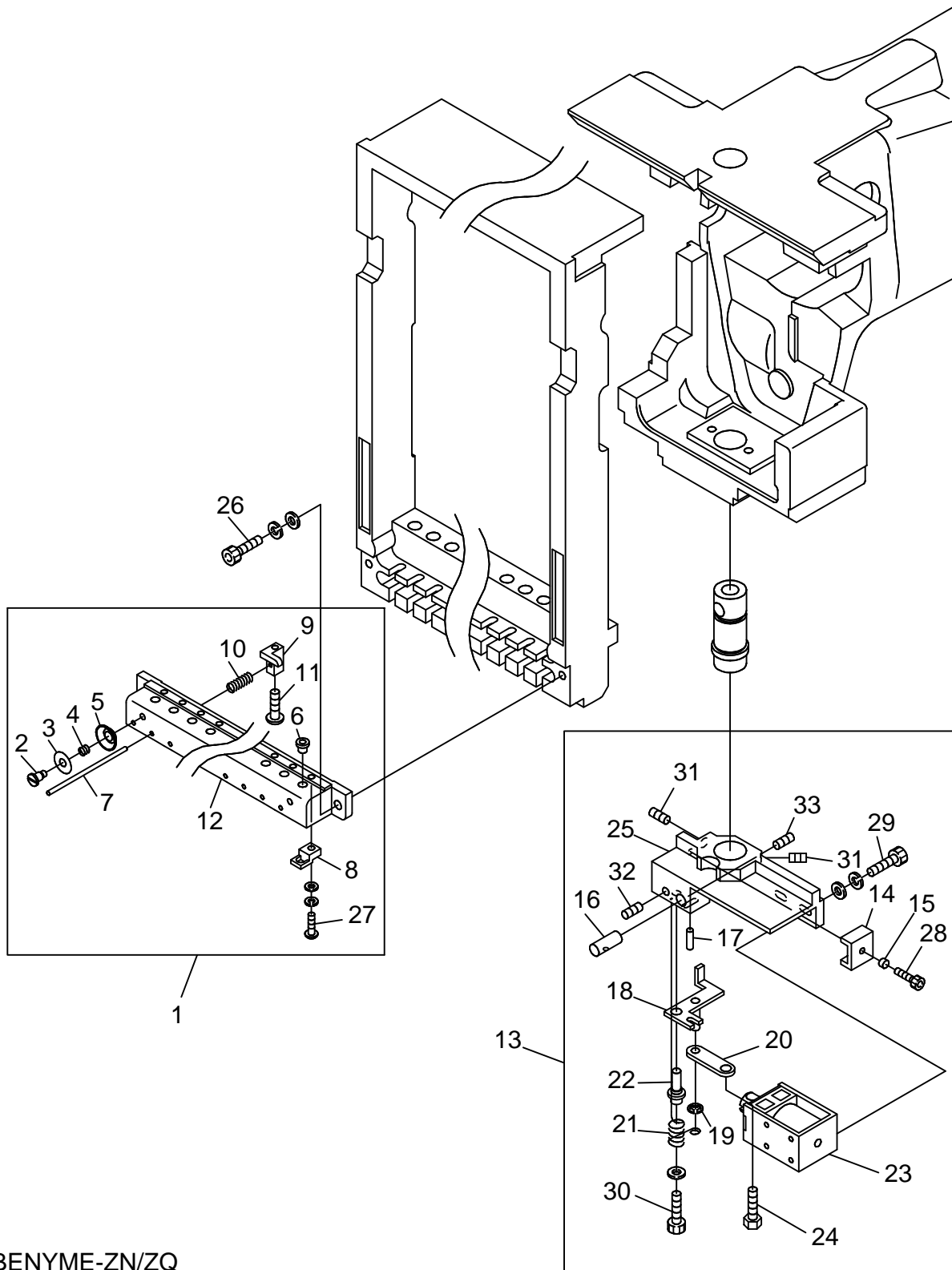
BENYME-ZN/ZQ
BENBME-ZN/ZQ

02C THREAD CUT C



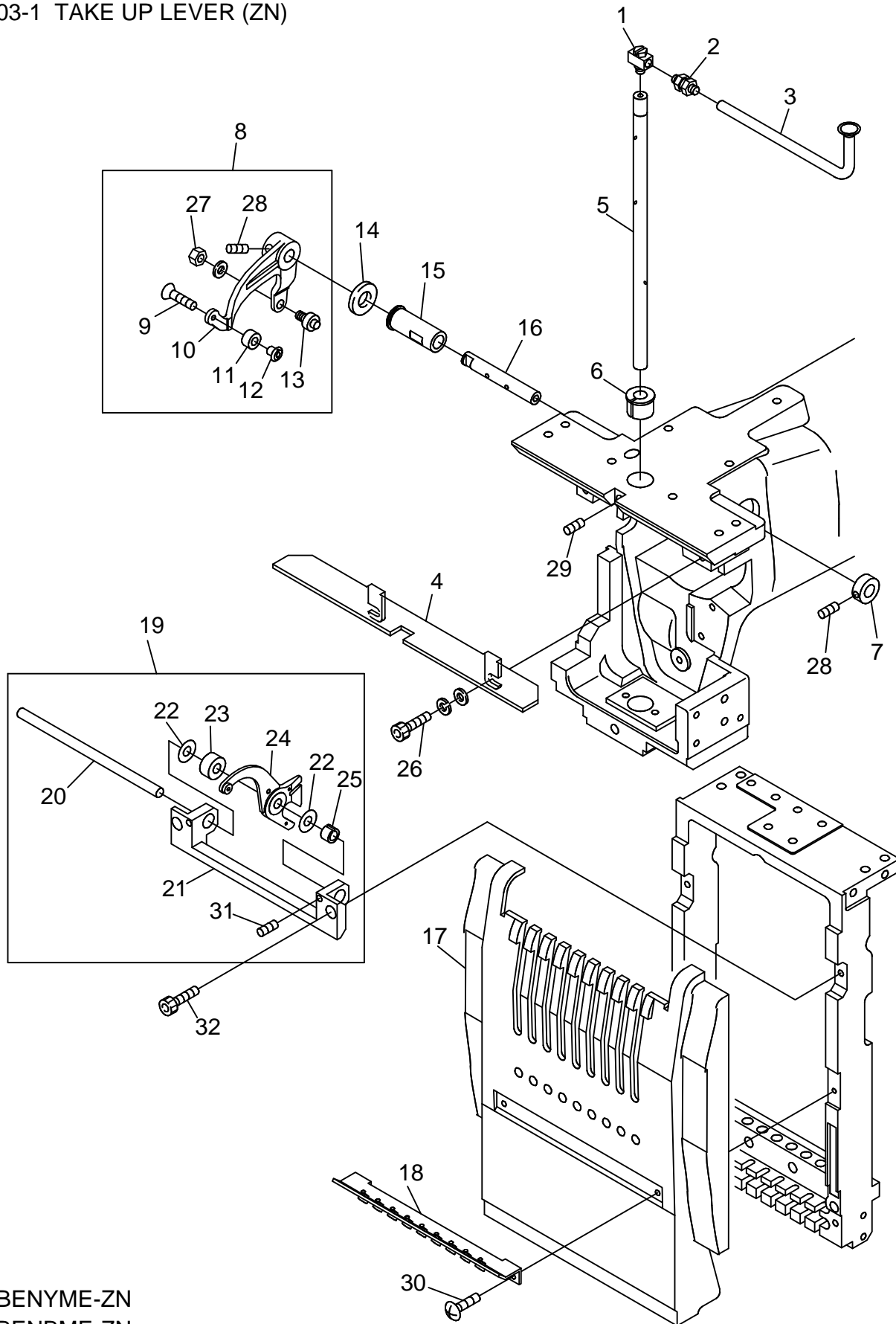
BENYME-ZN/ZQ
BENBME-ZN/ZQ

02D THREAD CUT D



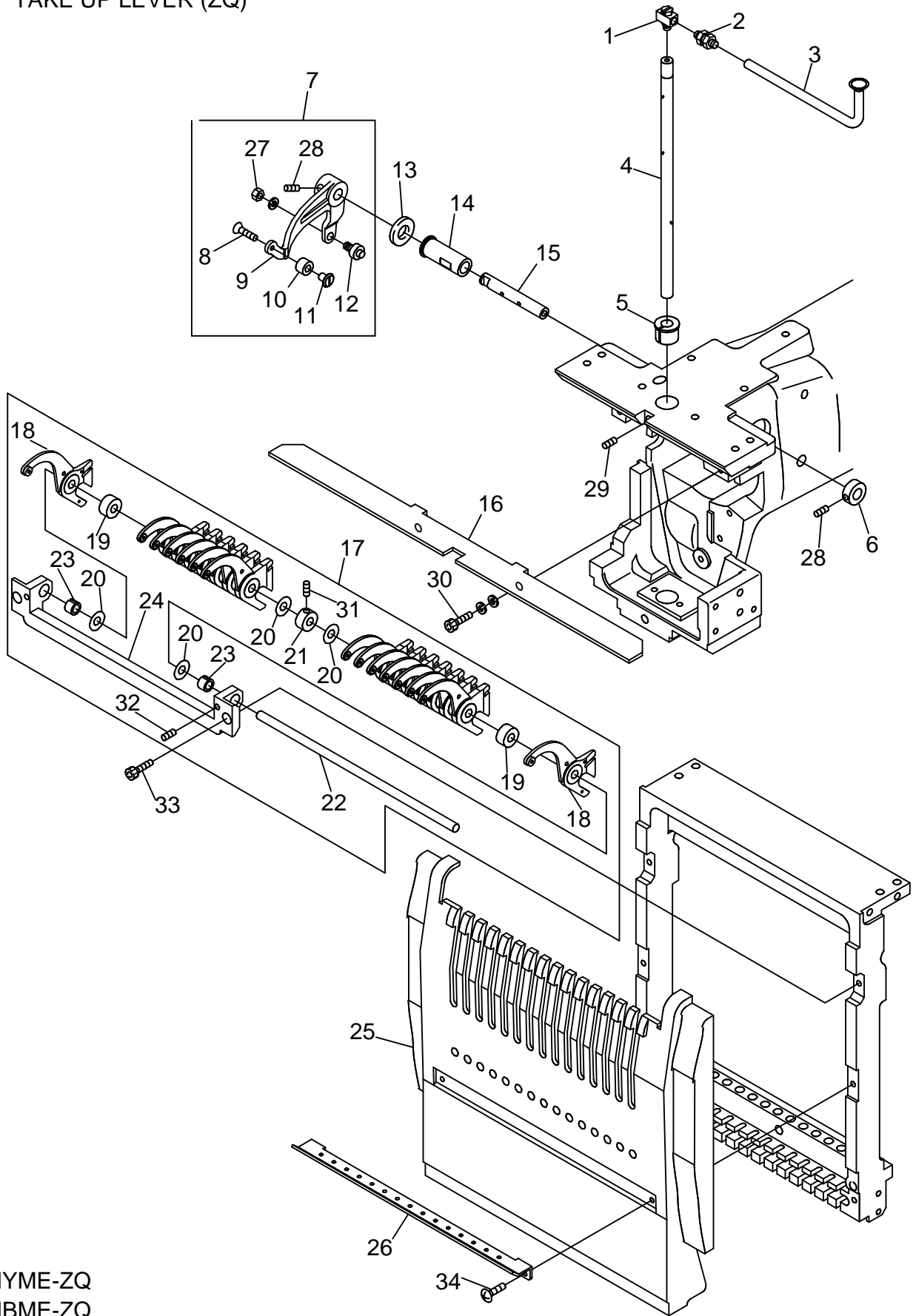
BENYME-ZN/ZQ
BENBME-ZN/ZQ

03-1 TAKE UP LEVER (ZN)



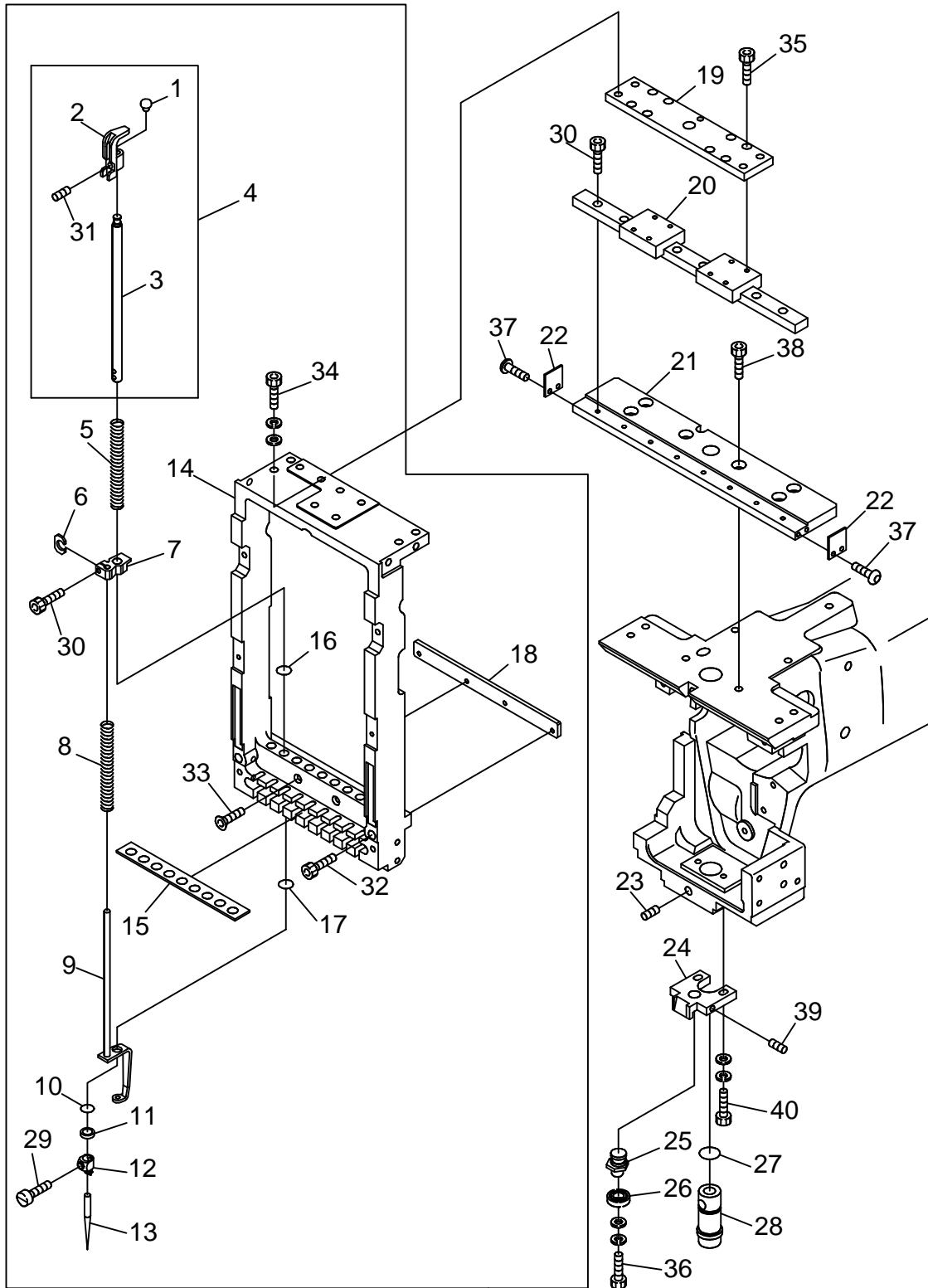
BENYME-ZN
BENBME-ZN

03-2 TAKE UP LEVER (ZQ)



BENYME-ZQ
BENBME-ZQ

04A-1 NEEDLE BAR A (ZN)



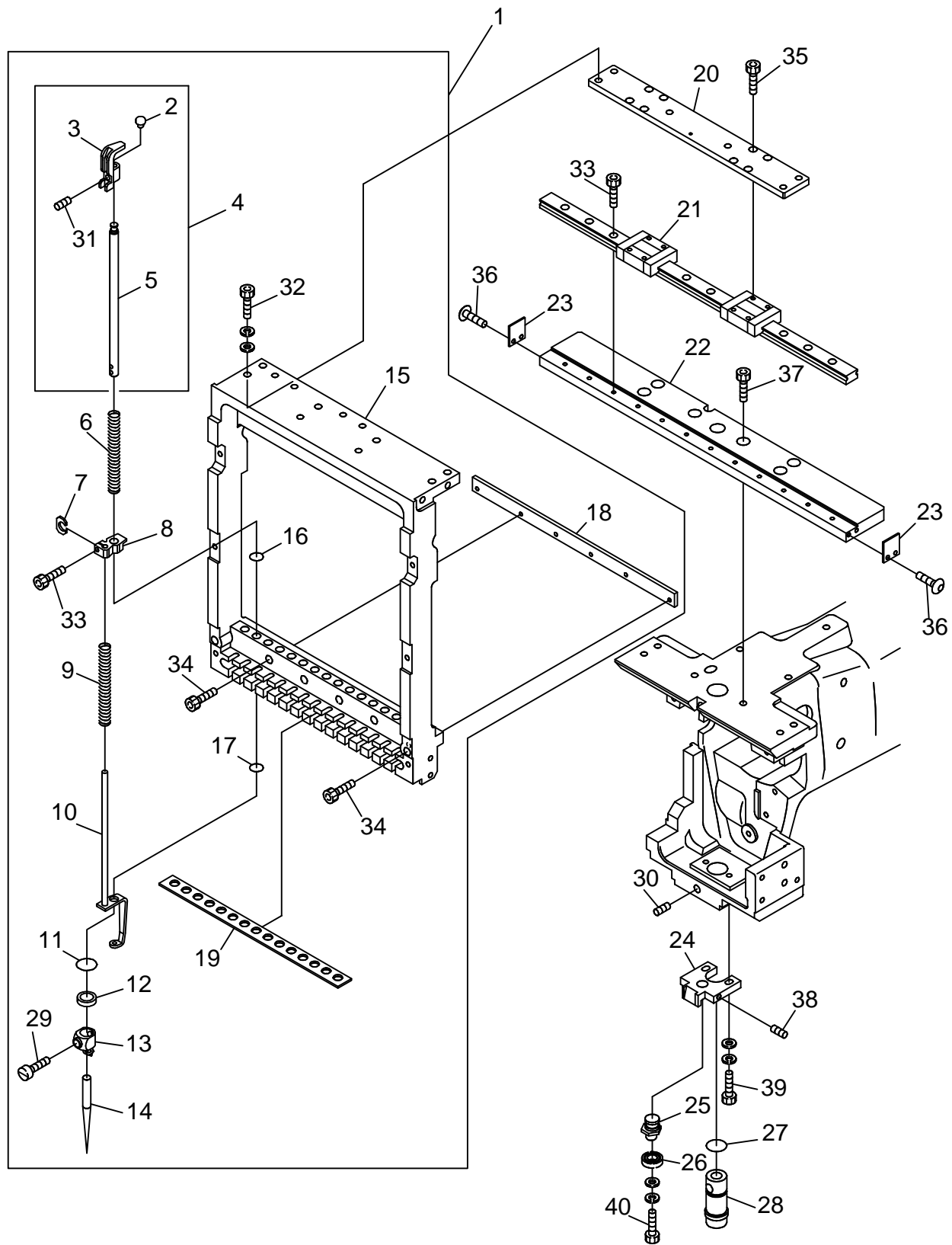
BENYME-ZN
BENBME-ZN

04A-1 Needle Bar A (ZN)

(H=Head Qty)

| ITEM | LIST NO. | DESCRIPTION | QTY | NOTE |
|------|-------------|--------------------------------------|-----|------|
| 1. | HT230130 | Needle Bar Cap | Hx9 | |
| 2. | HT230151 | Needle Bar Guide | Hx9 | |
| 3. | HT230041 | Needle Bar | Hx9 | |
| 4. | HT230810 | Needle Bar Assembly | Hx9 | |
| 5. | HT230251 | Needle Bar Spring | Hx9 | |
| 6. | HT230263 | Set Clamp Washer | Hx9 | |
| 7. | HT230330 | Presser Foot Set Clamp | Hx9 | |
| 8. | KX230251 | Needle Bar Spring (Lower) | Hx9 | |
| 9. | HT230143 | Presser Foot (YN/ZN) | Hx9 | |
| 10. | KF230910 | O-Ring (S) | Hx9 | |
| 11. | MF230000 | Needle Clamp Spacer (ZN/ZQ) | Hx9 | |
| 12. | HT230670 | Needle Clamp (with Hook) | Hx9 | |
| 13. | FN070011SNY | Needle (DBXK5-NY11S) | Hx9 | |
| 14. | KX230283 | Slide Block (ZNA) | Hx1 | |
| 15. | KX230180 | Needle Bar Felt | Hx1 | |
| 16. | A9014055 | O-Ring (L) (1AS-7) | Hx9 | |
| 17. | KF230920 | O-Ring (L) | Hx9 | |
| 18. | KX230040 | Bearing Plate | Hx1 | |
| 19. | KX230010 | LM Base | Hx1 | |
| 20. | KX230060 | LM Guide | Hx1 | |
| 21. | KX230023 | Base Plate | Hx1 | |
| 22. | KX230191 | LM Stopper | Hx2 | |
| 23. | A9012053 | Hex Socket Set Screw M6x8 | Hx2 | |
| 24. | LA230140 | Bearing Guide | Hx1 | |
| 25. | KX230050 | Bearing Pin | Hx1 | |
| 26. | A9010065 | Ball Bearing (686ZZ) | Hx1 | |
| 27. | A9019037 | O-Ring (Lower Bushing, S12.5) | Hx1 | |
| 28. | LA230080 | Slide Shaft Bushing (Lower) | Hx1 | |
| 29. | KF230240 | Needle Clamp Screw (SM9/64-40) | Hx9 | |
| 30. | | Hex. Socket Bolt M3x8 | | |
| 31. | | Hex. Socket Set Screw M4x4 | | |
| 32. | | Hex Socket Bolt M3x25 | | |
| 33. | | Hex Socket Flush Screw M3x25 | | |
| 34. | | Hex Socket Bolt M5x16 (with Washers) | | |
| 35. | | Hex Socket Bolt M3x6 | | |
| 36. | | Hex Socket Bolt M4x6 (with Washers) | | |
| 37. | | Hex Socket Bolt M3x6 | | |
| 38. | | Hex Socket Bolt M5x12 | | |
| 39. | | Hex Socket Set Screw M4x12 | | |
| 40. | | Hex Socket Bolt M4x15 (with Washers) | | |
| 41. | LA230321 | Slide Block Assembly (ZNA) | Hx1 | |
| | | | | |
| | | | | |
| | | | | |

04A-2 NEEDLE BAR A (ZQ)



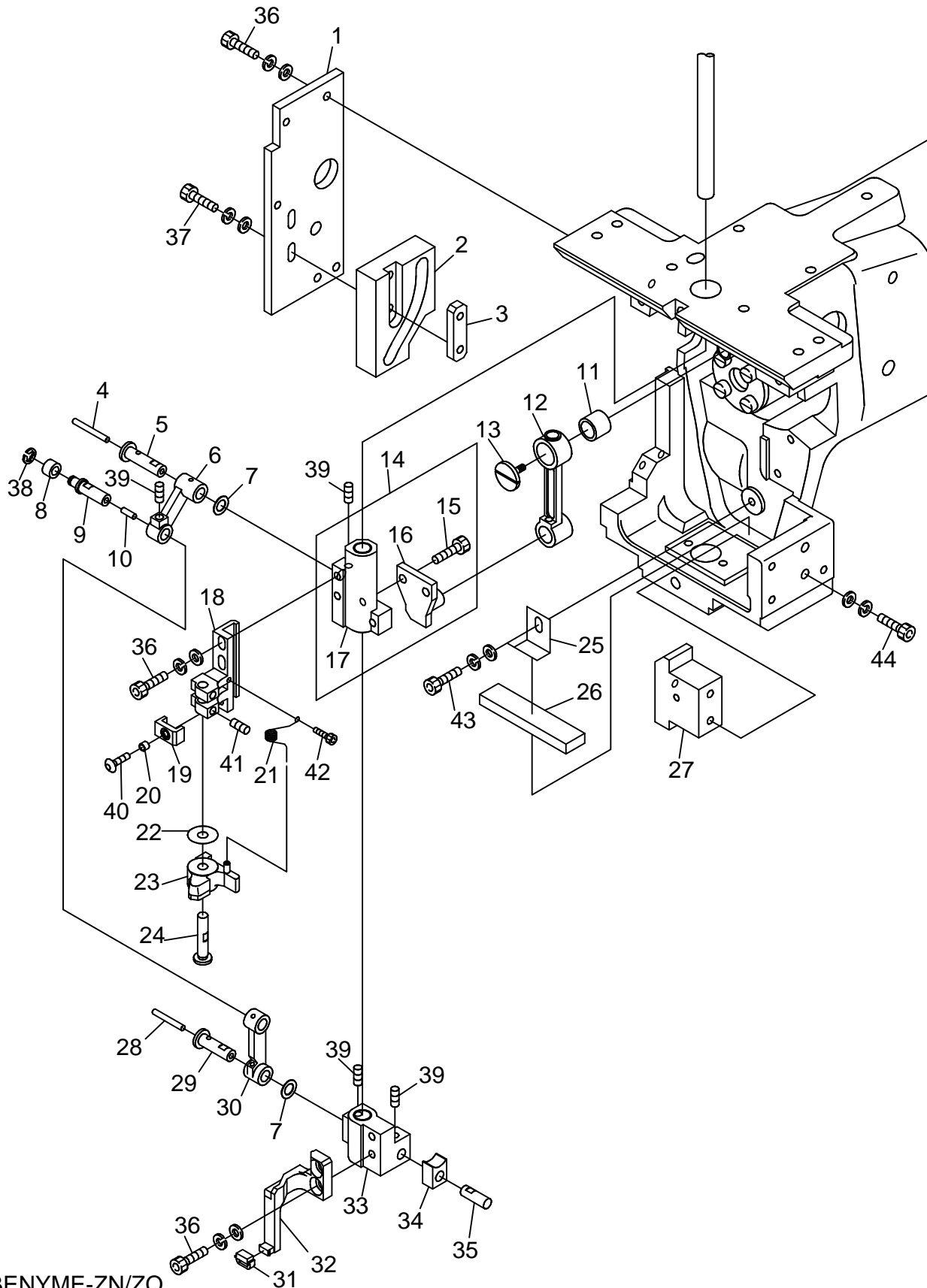
BENYME-ZQ
BENBME-ZQ

04A-2 Needle Bar A (ZQ)

(H=Head Qty)

| ITEM | LIST NO. | DESCRIPTION | QTY | NOTE |
|------|-------------|--------------------------------------|------|------|
| 1. | LA230301 | Slide Block Assembly (ZQ) | Hx1 | |
| 2. | HT230130 | Needle Bar Cap | Hx15 | |
| 3. | HT230151 | Needle Bar Guide | Hx15 | |
| 4. | HT230190 | Needle Bar Assembly | Hx15 | |
| 5. | HT230041 | Needle Bar | Hx15 | |
| 6. | HT230251 | Needle Bar Spring (Upper) | Hx15 | |
| 7. | HT230261 | Set Clamp Washer | Hx15 | |
| 8. | HT230330 | Presser Foot Set Clamp | Hx15 | |
| 9. | KX230250 | Needle Bar Spring (Lower) | Hx15 | |
| 10. | HT230143 | Presser Foot (YN/ZN) | Hx15 | |
| 11. | KF230910 | O-Ring (S) | Hx15 | |
| 12. | MF230000 | Needle Clamp Spacer (ZN/ZQ) | Hx15 | |
| 13. | HT230670 | Needle Clamp (with Hook) | Hx15 | |
| 14. | FN070011SNY | Needle (DBXK5-NY11S) | Hx15 | |
| 15. | LA230231 | Slide Block (ZQ) | Hx1 | |
| 16. | A9014055 | O-Ring (L) (1AS-7) | Hx15 | |
| 17. | KF230920 | O-Ring (L) | Hx15 | |
| 18. | RD230060 | Bearing Plate | Hx1 | |
| 19. | RD230070 | Needle Bar Felt | Hx1 | |
| 20. | LA230240 | LM Base | Hx1 | |
| 21. | RD230020 | LM Guide | Hx1 | |
| 22. | LA230221 | Base Plate | Hx1 | |
| 23. | KX230191 | LM Stopper | Hx2 | |
| 24. | LA230140 | Bearing Guide | Hx1 | |
| 25. | KX230050 | Bearing Pin | Hx1 | |
| 26. | A9010065 | Ball Bearing (686ZZ) | Hx1 | |
| 27. | A9019037 | O-Ring (Lower Bushing, S12.5) | Hx1 | |
| 28. | LA230080 | Slide Shaft Bushing (Lower) | Hx1 | |
| 29. | KF230240 | Needle Clamp Screw (SM9/64-40) | Hx15 | |
| 30. | A9012053 | Hex Socket Set Screw M6x8 | Hx2 | |
| 31. | | Hex Socket Set Screw M4x4 | | |
| 32. | | Hex Socket Bolt M5x16 (with Washers) | | |
| 33. | | Hex Socket Bolt M3x8 | | |
| 34. | | Hex Socket Bolt M3x25 | | |
| 35. | | Hex Socket Bolt M3x6 | | |
| 36. | | Hex Socket Button Bolt M3x6 | | |
| 37. | | Hex Socket Bolt M5x12 | | |
| 38. | | Hex Socket Set Screw M4x12 | | |
| 39. | | Hex Socket Bolt M4x15 (with Washers) | | |
| 40. | | Hex Socket Bolt M4x6 (with Washers) | | |
| | | | | |
| | | | | |
| | | | | |
| | | | | |

04B NEEDLE BAR B



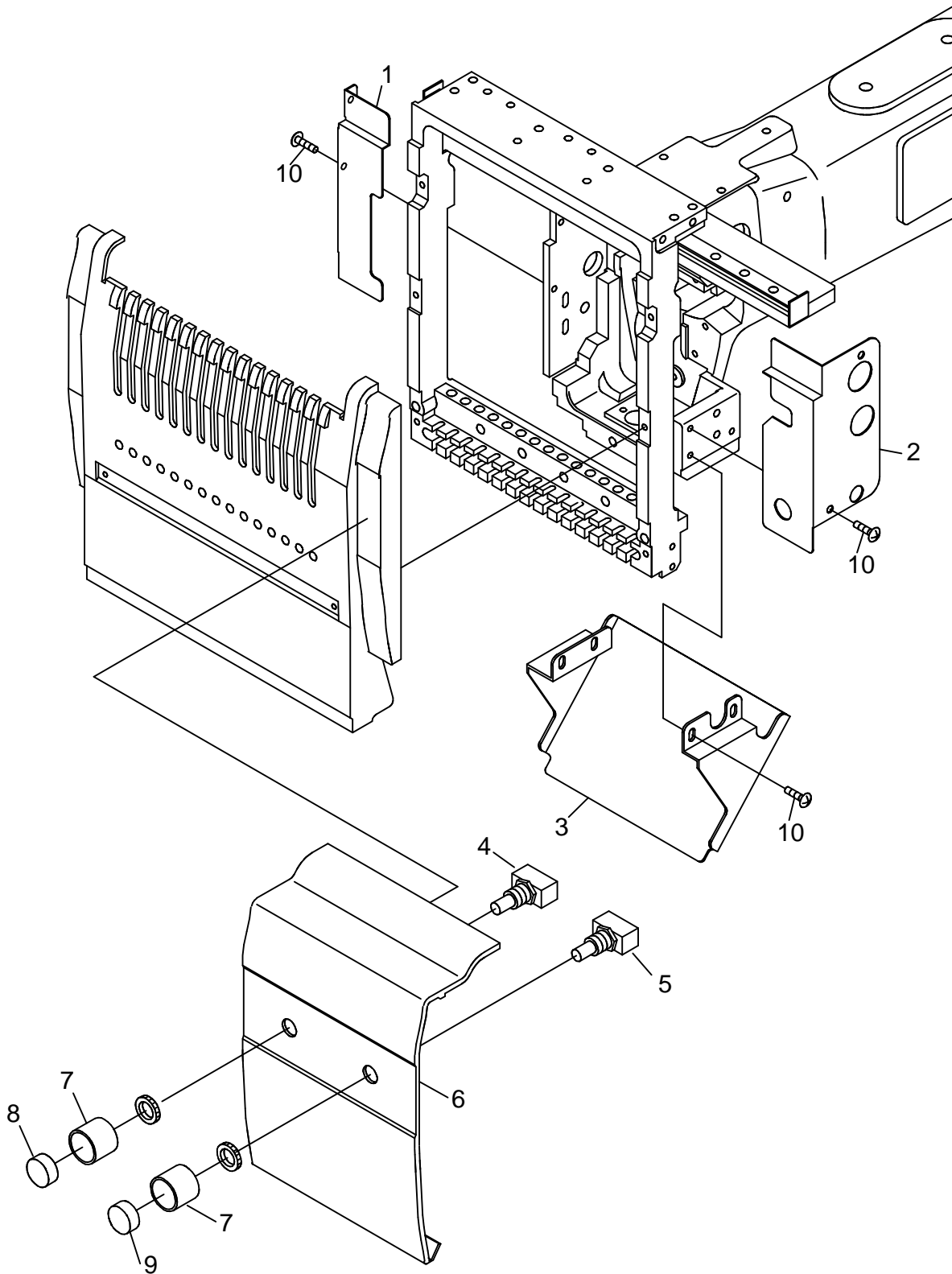
BENYME-ZN/ZQ
BENBME-ZN/ZQ

04B Needle Bar B

(H=Head Qty)

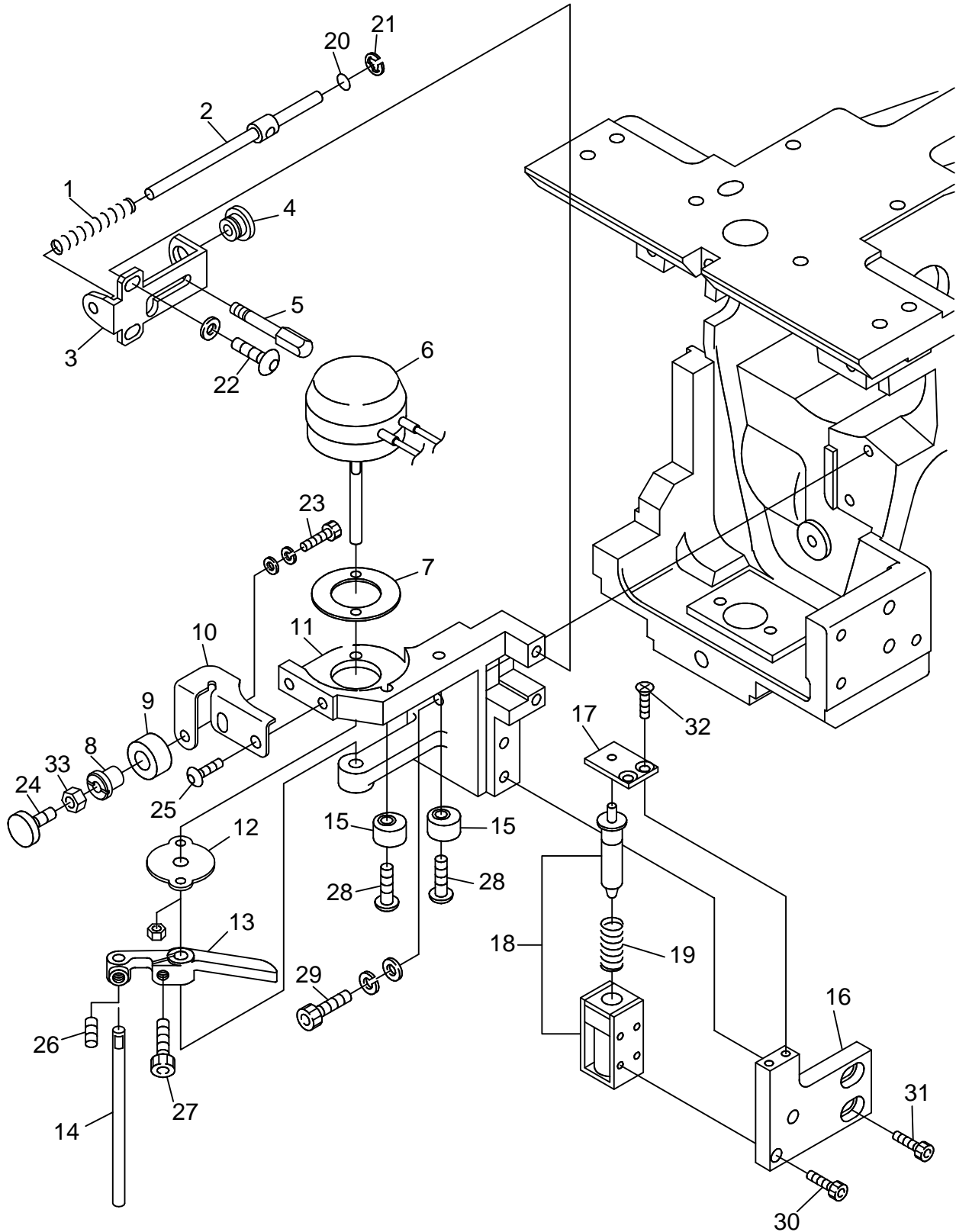
| ITEM | LIST NO. | DESCRIPTION | QTY | NOTE |
|------|----------|--|-----|------|
| 1. | LA230100 | Presser Foot Cam Plate | Hx1 | |
| 2. | LA230150 | Presser Foot Cam | Hx1 | |
| 3. | HT230380 | Cam Tap Plate | Hx1 | |
| 4. | LA230290 | Oil Core (23mm) | Hx1 | |
| 5. | LA230110 | Link Pin (Upper) | Hx1 | |
| 6. | LA230040 | Link (Upper) | Hx1 | |
| 7. | HT230730 | Shim Ring (10.0 Dia., T=0.3) | Hx2 | |
| 8. | KF230530 | Roller Joint Pin | Hx1 | |
| 9. | LA230130 | Link Roller Joint Pin | Hx1 | |
| 10. | HT230760 | Oil Core (8mm) | Hx1 | |
| 11. | A9011115 | Needle Bearing (K9x12x10T2) | Hx1 | |
| 12. | LA230060 | Crank Rod | Hx1 | |
| 13. | KB230070 | 90° Crank (Counterclockwise Screw) | Hx1 | |
| 14. | LA230030 | Driver Slide Assembly | Hx1 | |
| 15. | A9019036 | Hex Socket Bolt M4x10 | Hx2 | |
| 16. | LA230020 | Driver Slide Pin | Hx1 | |
| 17. | LA230010 | Driver Slide | Hx1 | |
| 18. | LB230070 | Needle Bar Driver Fixing Base (ZN/ZQA) | Hx1 | |
| 19. | HT230520 | Needle Bar Driver Stopper | Hx1 | |
| 20. | A9012368 | Spacer (Roll Bushing) | Hx1 | |
| 21. | HT230560 | Needle Bar Driver Return Spring | Hx1 | |
| 22. | A9012367 | Shim Ring (15.0 Dia., T=0.15) | Hx1 | |
| 23. | HT230531 | Needle Bar Driver | Hx1 | |
| 24. | HT230280 | Needle Bar Driver Pin | Hx1 | |
| 25. | LA230200 | Felt Plate | Hx1 | |
| 26. | LA230210 | Felt (Head Oil) | Hx1 | |
| 27. | LA230160 | Guide Box | Hx1 | |
| 28. | HT230770 | Oil Core (20mm) | Hx1 | |
| 29. | LA230120 | Link Pin (Lower) | Hx1 | |
| 30. | LA230050 | Link (Lower) | Hx1 | |
| 31. | HT230340 | Presser Foot Support Rubber | Hx1 | |
| 32. | HT230370 | Presser Foot Support | Hx1 | |
| 33. | LA230070 | Presser Foot Slide | Hx1 | |
| 34. | HP231370 | Square Ball | Hx1 | |
| 35. | LA230090 | Square Ball Pin | Hx1 | |
| 36. | | Hex Socket Bolt M4x12 | | |
| 37. | | Hex Socket Bolt M4x20 | | |
| 38. | | E-ring (3.0 Dia.) | | |
| 39. | | Hex Socket Set Screw M4x6 (with Nylon) | | |
| 40. | | Hex Socket Button Bolt M3x6 | | |
| 41. | | Hex Socket Set Screw M4x4 (with Nylon) | | |
| 42. | | Hex Socket Bolt M2.5x6 | | |
| 43. | | Hex Socket Bolt M4x8 | | |
| 44. | | Hex Socket Bolt M4x16 | | |

04C NEEDLE BAR C



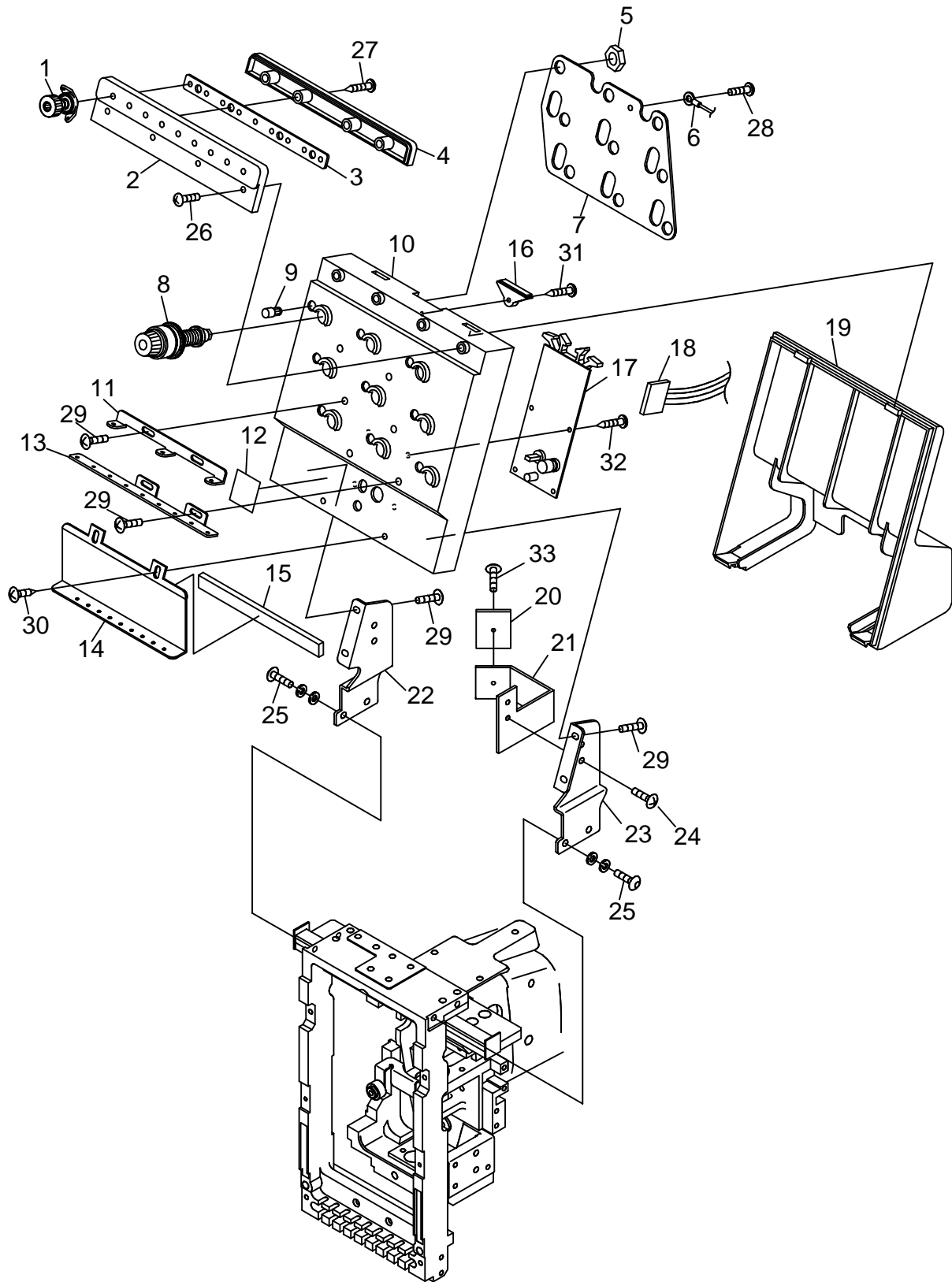
BENYME-ZN/ZQ
BENBME-ZN/ZQ

05 JUMP



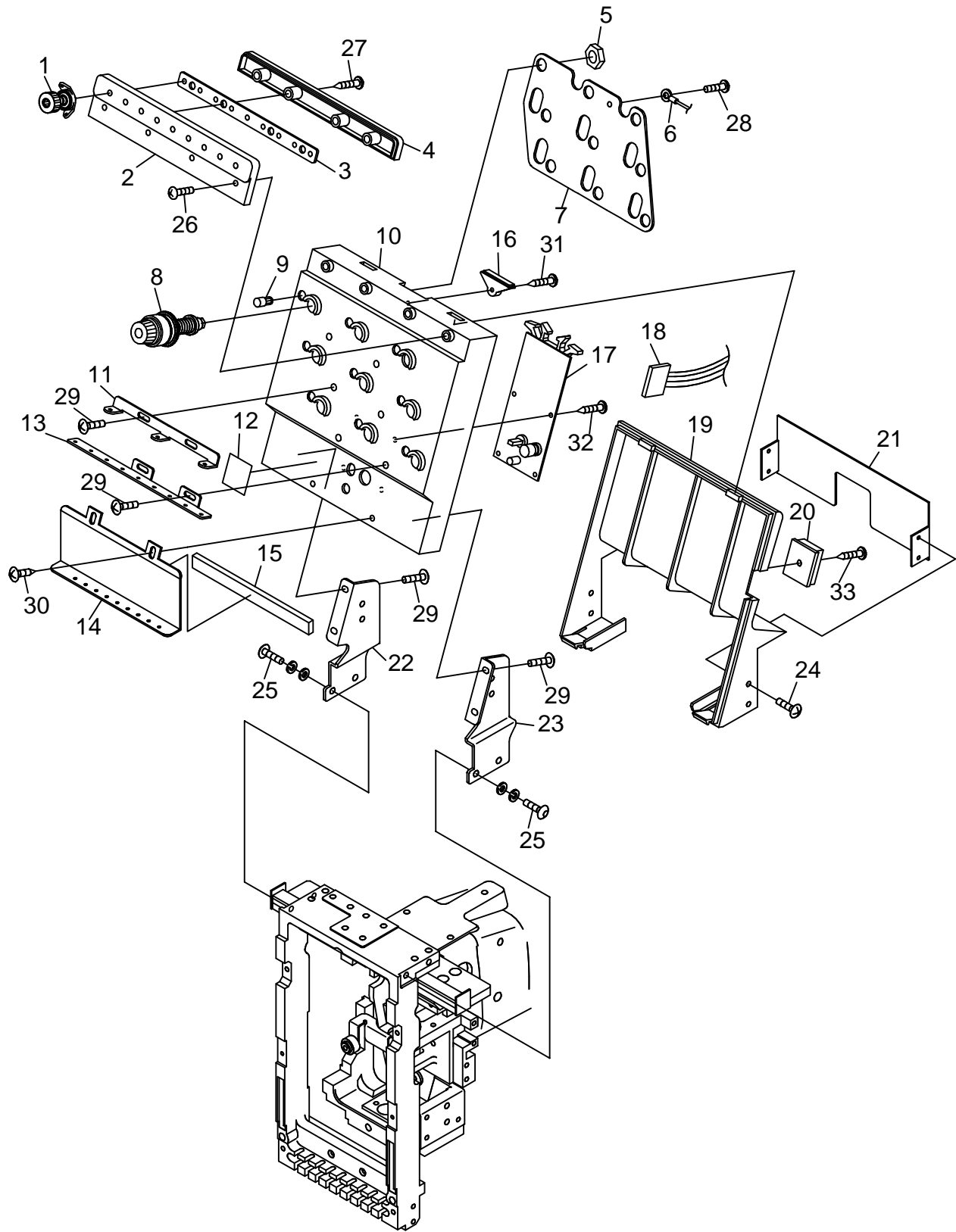
BENYME-ZN/ZQ
BENBME-ZN/ZQ

06A-1-1 THREAD GUIDE A (STANDARD)(ZN)



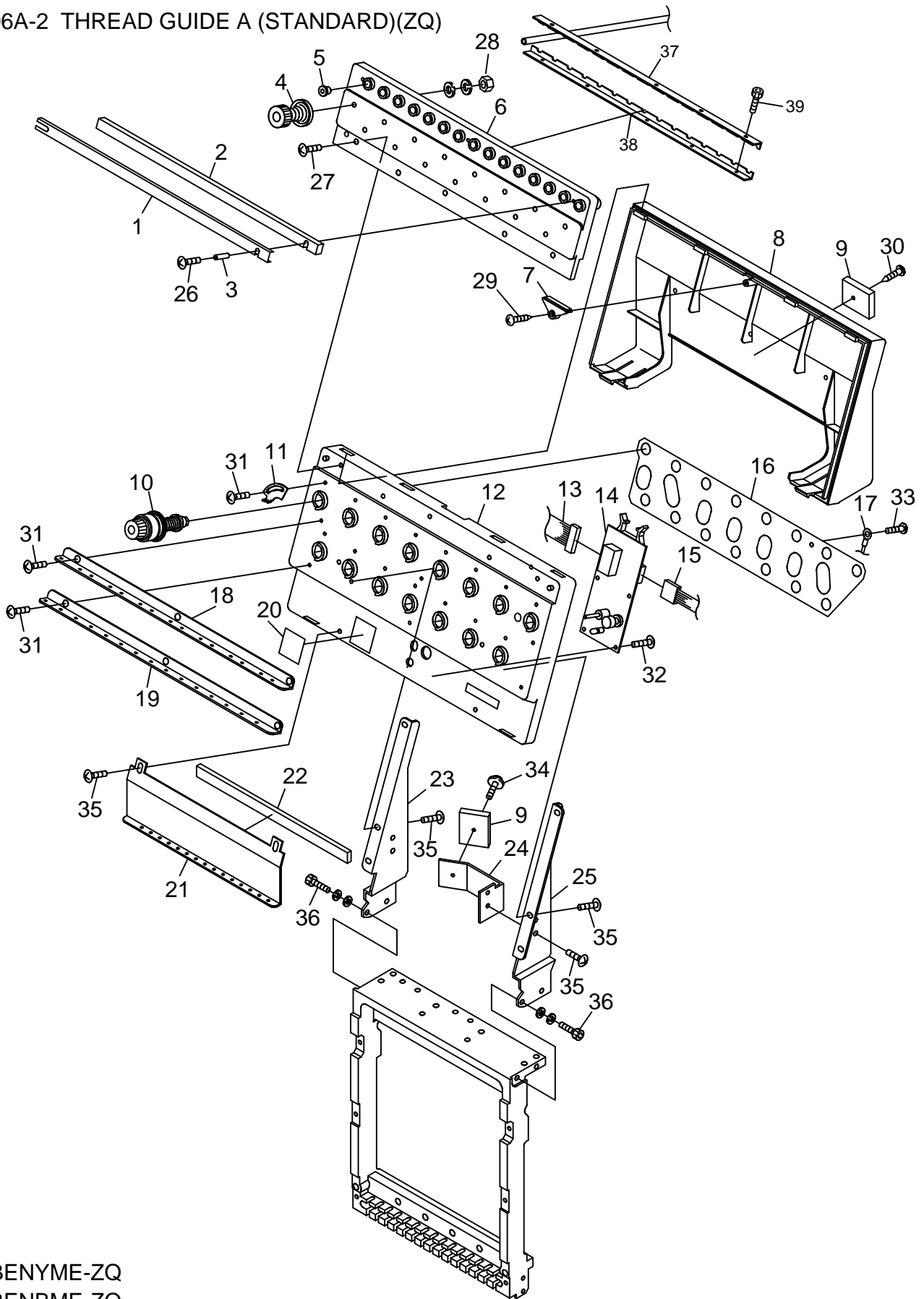
BENYME-ZN
BENBME-ZN

06A-1-2 THREAD GUIDE A (STANDARD)(ZN)(FIRST HEAD)



BENYME-ZN
BENBME-ZN

06A-2 THREAD GUIDE A (STANDARD)(ZQ)



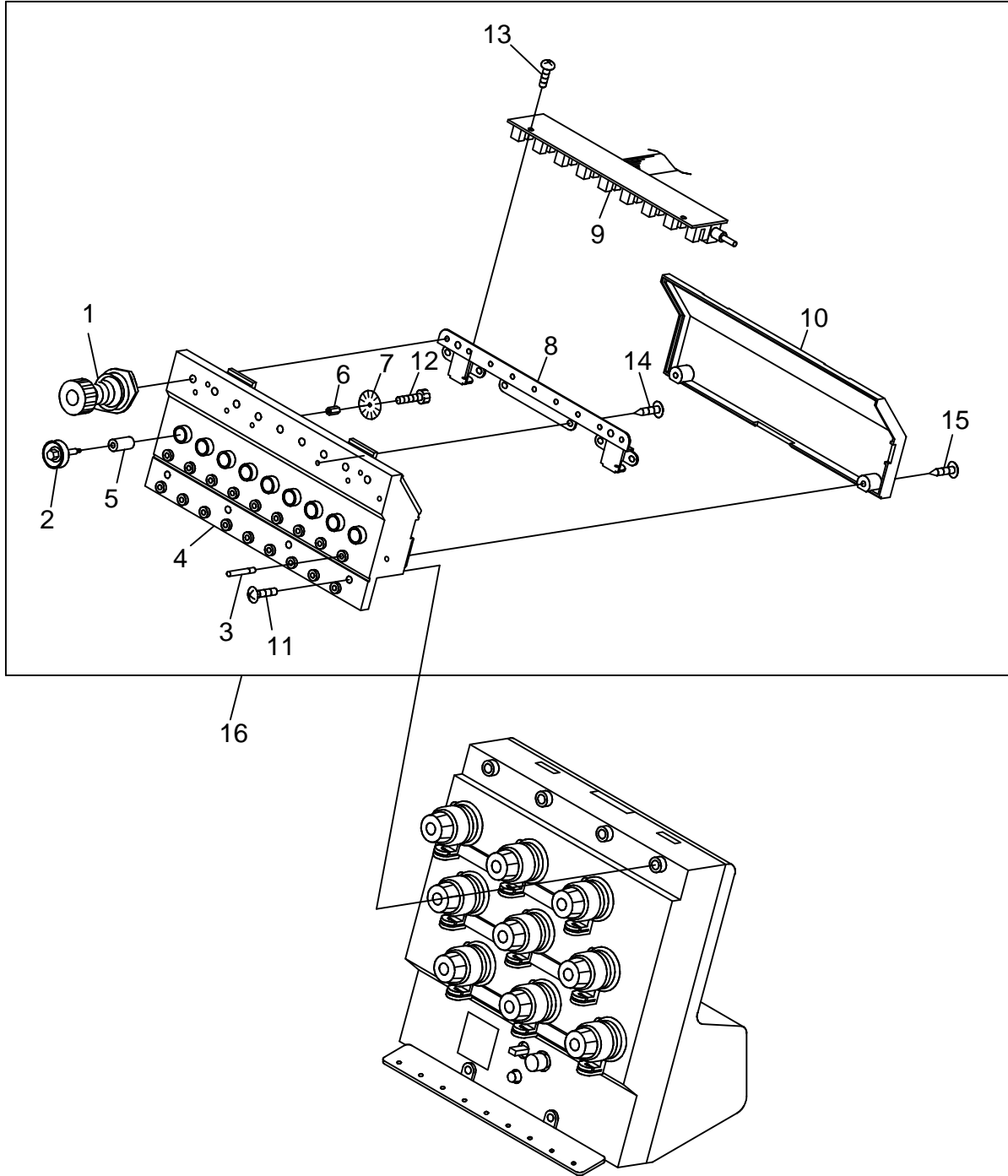
BENYME-ZQ
BENBME-ZQ

06A-2 Thread Guide A (Standard) (ZQ)

(H=Head Qty)

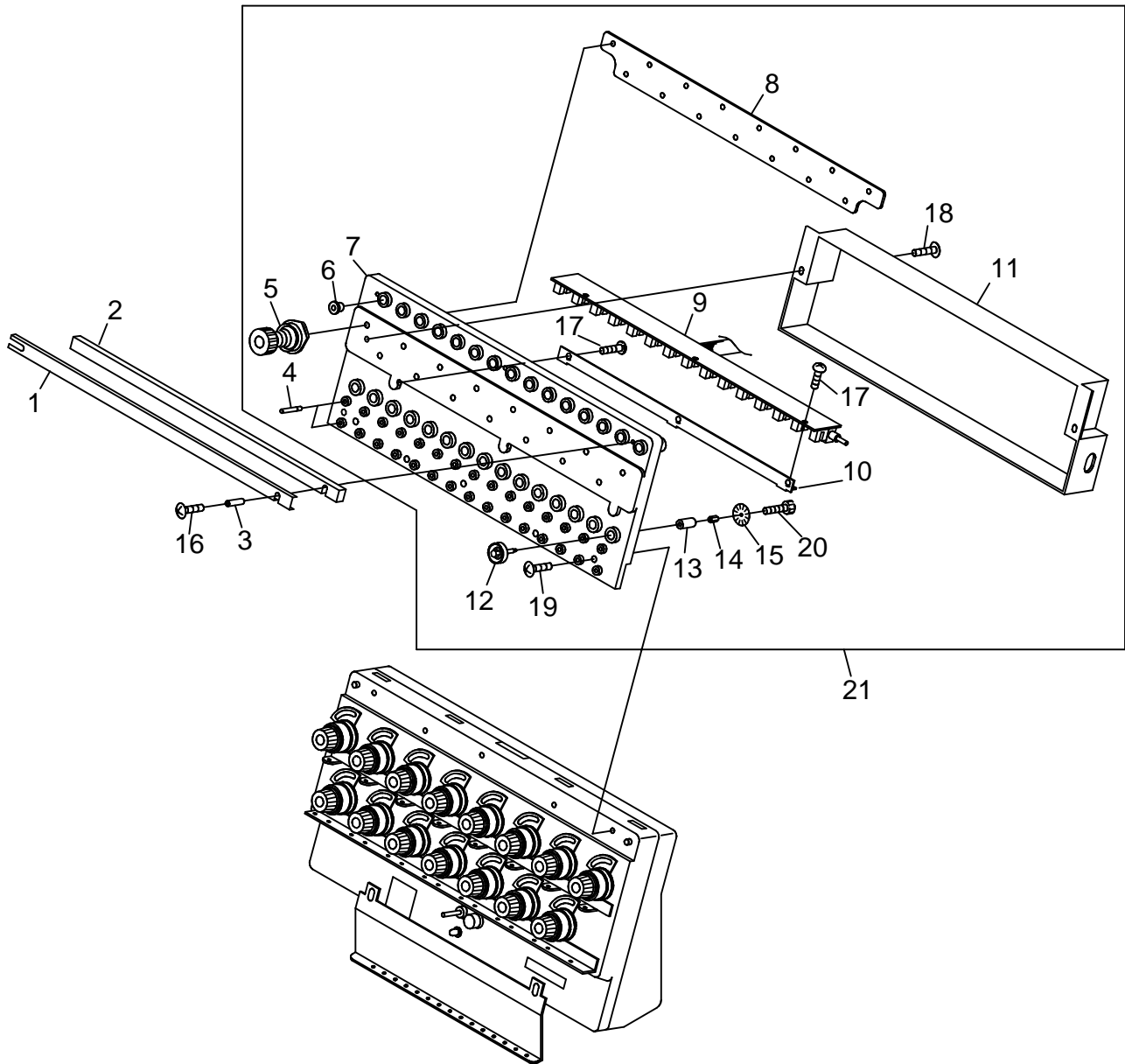
| ITEM | LIST NO. | DESCRIPTION | QTY | NOTE |
|------|----------|---|------|------|
| 1. | RD240291 | Felt Frame | Hx1 | |
| 2. | RD240301 | Felt | Hx1 | |
| 3. | A9012412 | Spacer (3.0 Dia.x17L) | Hx2 | |
| 4. | RD240320 | First Thread Tension Unit Assembly (ZQ-A) | Hx15 | |
| 5. | HT240480 | Thread Guide Eyelet (White) | Hx15 | |
| 6. | RD240280 | Thread Tension Base | Hx1 | |
| 7. | HT240240 | Blind Cap | Hx1 | |
| 8. | RD240030 | Tension Base Cover (ZQ-A) | Hx1 | |
| 9. | A9068032 | Clamp (FCW-26) | Hx2 | |
| 10. | RD240152 | Dial Thread Tension Unit Assembly (ZQ) | Hx15 | |
| 11. | RD240111 | Thread Spring Adjusting Plate | Hx15 | |
| 12. | RD240021 | Tension Base Case | Hx1 | |
| 13. | EBY01690 | H1899 Cable | Hx1 | |
| 14. | EBY01670 | 4640 Head Switch Board (ZN/ZQ) | Hx1 | |
| 15. | EBY01700 | H1900 Additional Cable | Hx1 | |
| 16. | RD240121 | Tension Ground Plate | Hx1 | |
| 17. | RD240220 | Tension Ground Cable | Hx1 | |
| 18. | RD240330 | First Thread Guide Plate (ZQ-A) | Hx1 | |
| 19. | RD240340 | Second Thread Guide Plate(ZQ-A) | Hx1 | |
| 20. | | Number Label | Hx1 | |
| 21. | LA240030 | Second Thread Guide | Hx1 | |
| 22. | LA240040 | Sponge Rubber | Hx1 | |
| 23. | MG240010 | Tension Base Bracket, ZQ (L) | Hx1 | |
| 24. | RD240090 | Wiring Holder | Hx1 | |
| 25. | MG240000 | Tension Base Bracket, ZQ (R) | Hx1 | |
| 26. | | Truss Screw M3x25 | | |
| 27. | | Truss Screw M4x10 | | |
| 28. | | Hex Nut SM11/64 | | |
| 29. | | Tapping Screw ϕ 3x12 | | |
| 30. | | Tapping Pan Screw ϕ 3x25 | | |
| 31. | | Truss Screw M3x5 | | |
| 32. | | Truss Screw M3x6 | | |
| 33. | | Pan Screw M3x6 | | |
| 34. | | Pan Screw with Flange M3x8 | | |
| 35. | | Truss Screw M4x6 | | |
| 36. | | Hex Socket Bolt M5x10 (with Washers) | | |
| 37. | RD240430 | Tube Holder (Upper) | | |
| 38. | RD240440 | Tube Holder (Lower) | | |
| 39. | | Hex Socket Bolt M3x16 | | |
| | | | | |
| | | | | |
| | | | | |

06B-1 THREAD GUIDE B (UTSM) (ZN)



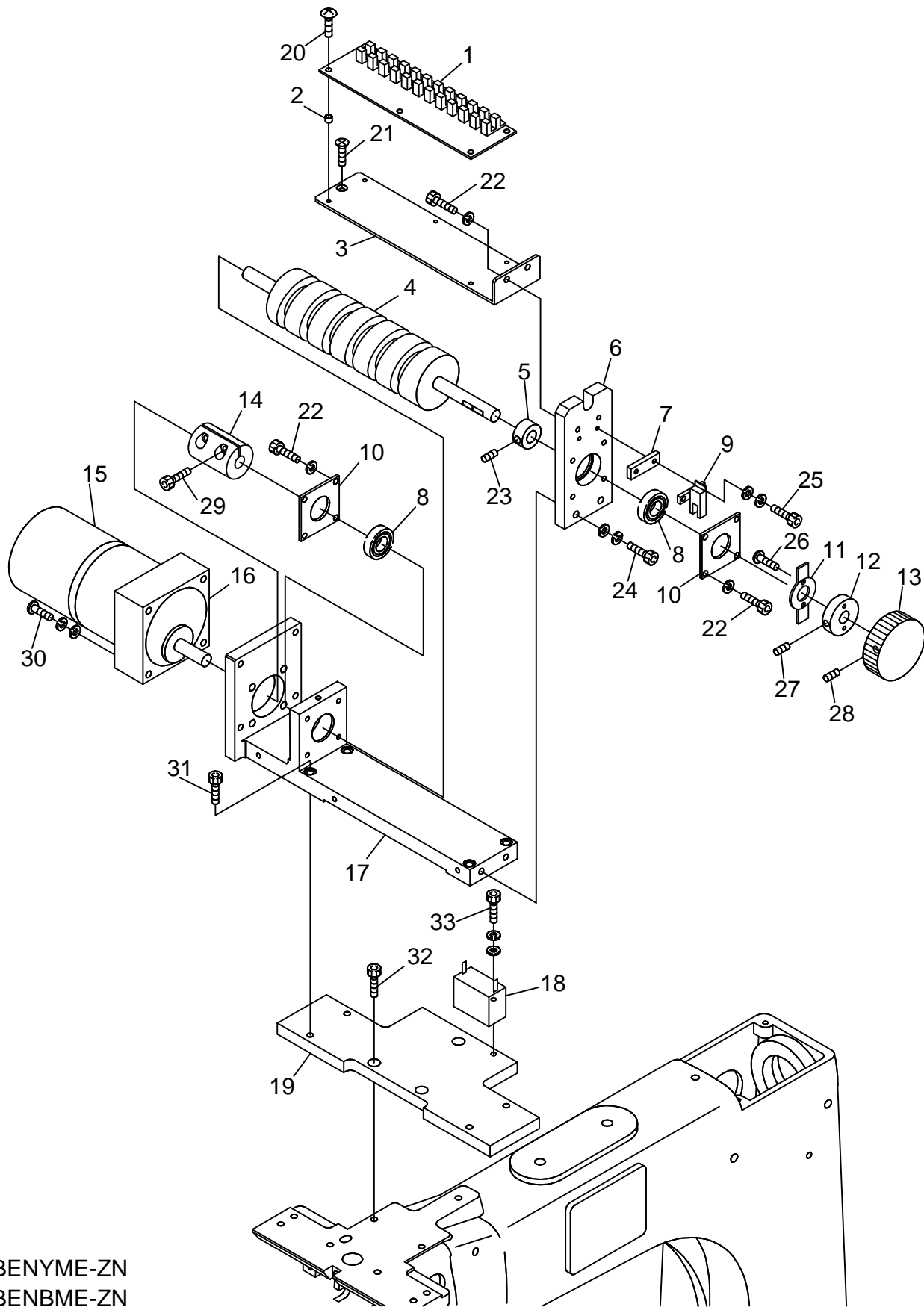
BENYME-ZN
BENBME-ZN

06B-2 THREAD GUIDE B (UTSM) (ZQ)



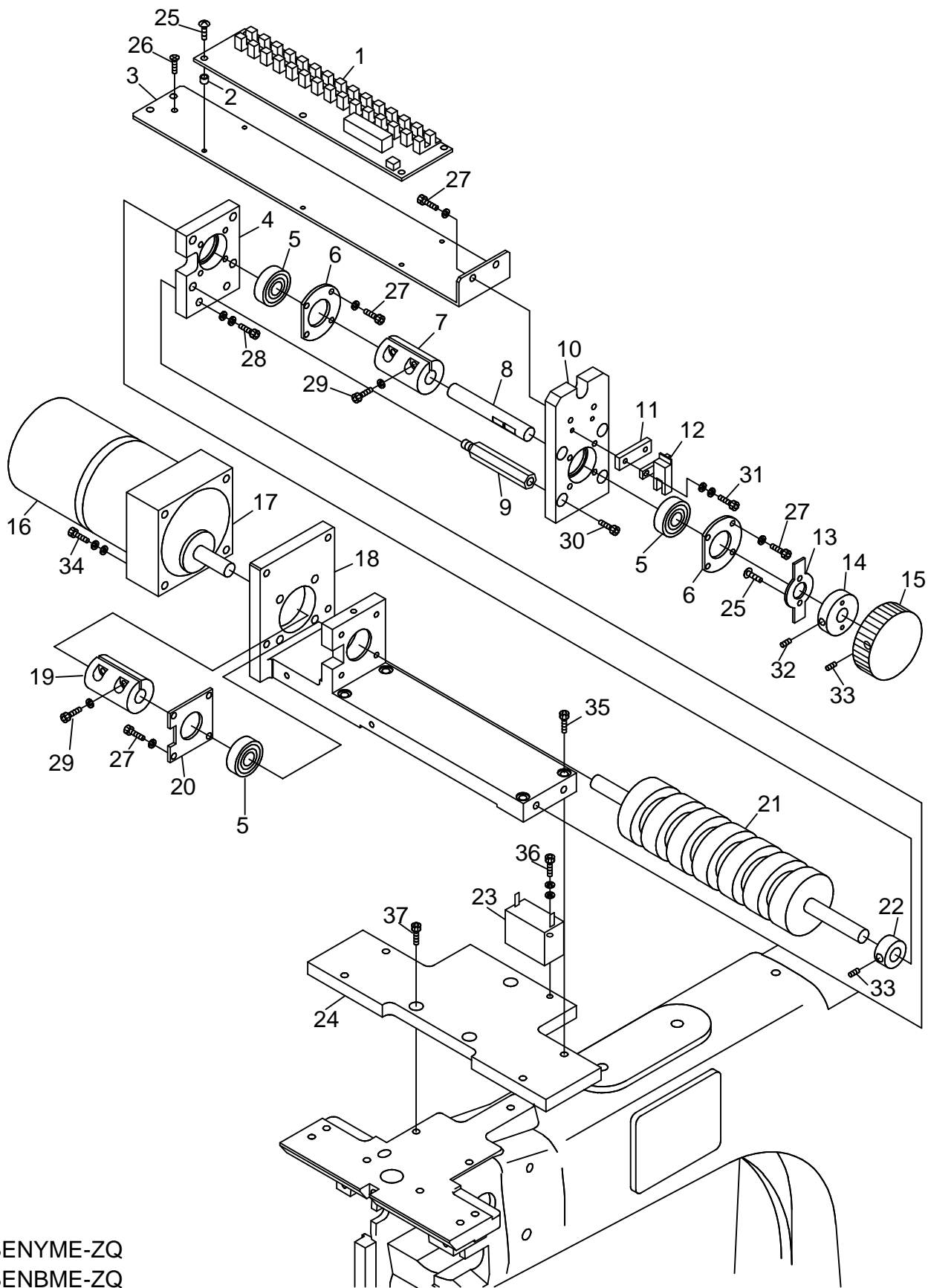
BENYME-ZQ
BENBME-ZQ

07A-1 COLOR CHANGE A (ZN)



BENYME-ZN
BENBME-ZN

07A-2 COLOR CHANGE A (ZQ)

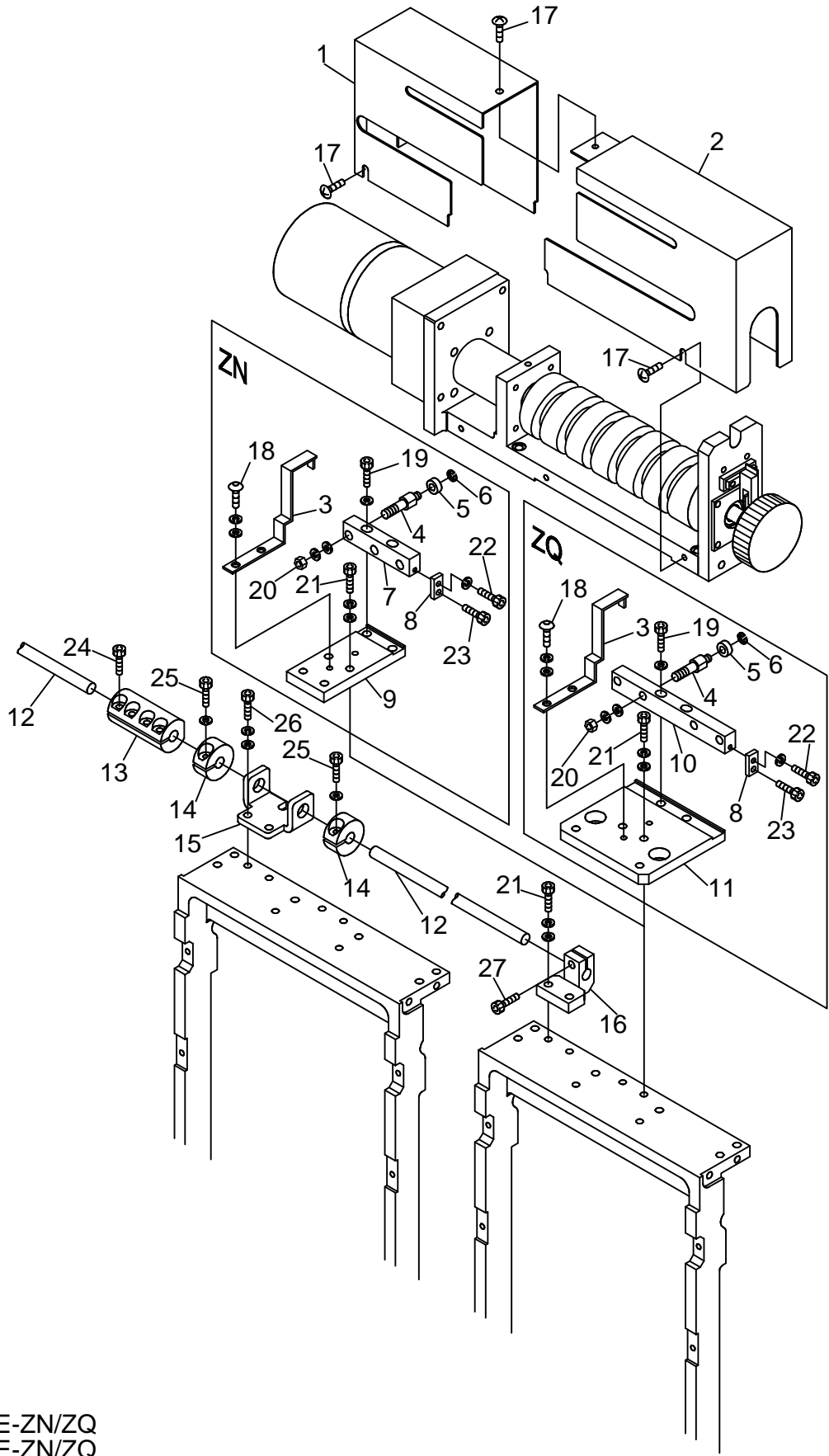


BENYME-ZQ
BENBME-ZQ

07A-2 Color Change A (ZQ)

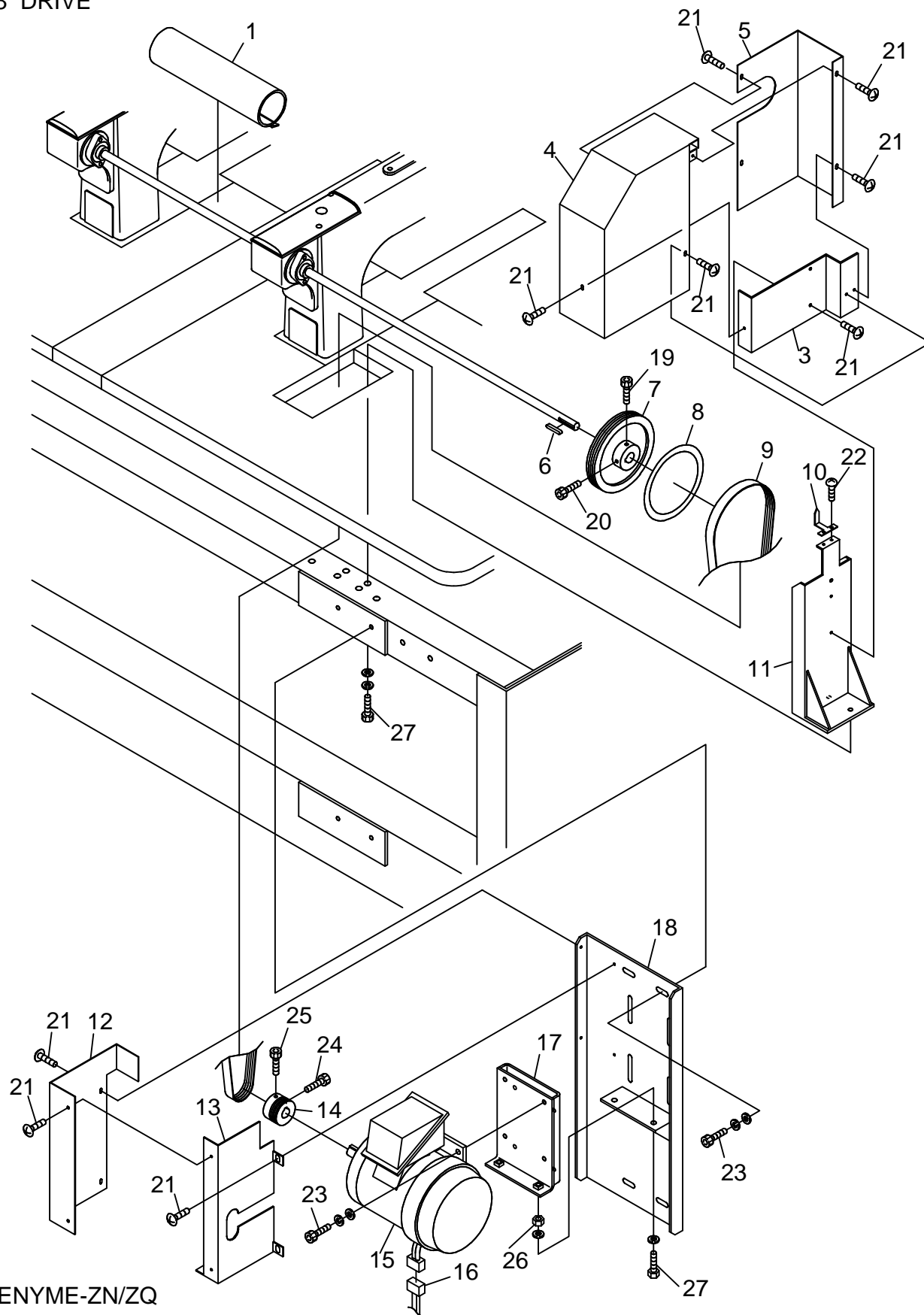
| ITEM | LIST NO. | DESCRIPTION | QTY | NOTE |
|------|----------|--|-----|--------|
| 1. | EBY01650 | 3772 Color Change Board (ZQ) | 1 | |
| 2. | A9012208 | Spacer, Roll Bushing (5.0 Dia.x4L) | 5 | |
| 3. | RD330081 | Color Change Board Base Plate | 1 | |
| 4. | LA330060 | Color Change Side Plate (ZQ-A) | 1 | |
| 5. | A9010062 | Bearing (6000ZZ) | 3 | |
| 6. | RD330070 | Bearing Plate (ZQ) | 2 | |
| 7. | RD330030 | Coupling | 1 | 6T Max |
| | | | 2 | 8T Min |
| 8. | RD330040 | Connecting Shaft | 1 | |
| 9. | RD330050 | Stud Bolt | 4 | |
| 10. | LA330040 | Color Change Slide Plate (ZQ-A) | 1 | |
| 11. | KX330250 | Sensor Spacer | 1 | |
| 12. | A9060063 | Micro Sensor (EE-SX672A OMRON) | 1 | |
| 13. | KX330271 | Lock Sensor Dock | 1 | |
| 14. | KC330170 | Detection Plate Collar | 1 | |
| 15. | KX330130 | Manual Knob | 1 | |
| 16. | A9065092 | Reversible Motor (3RJ10GB-AUL-E4) | 1 | 6TMax |
| | A9065078 | Reversible Motor (3RK15GN-AUL-E13) | 1 | 8T Min |
| 17. | A9065093 | Gear Head (3GB18K) | 1 | 6T Max |
| | A9065079 | Gear Head (3GN18K) | 1 | 8T Min |
| 18. | LA330091 | Color Change Base (ZQ-A) | 1 | |
| 19. | RD330020 | Motor Coupling | 1 | 6T Max |
| 20. | RD330060 | Bearing Bracket (ZQ) | 2 | |
| 21. | RD330150 | Color Change Cam (ZQ) | 1 | |
| 22. | KX330120 | Bearing Collar | 1 | |
| 23. | A9054022 | Condenser (CH45UL) | 1 | 6T Max |
| | A9054023 | Condenser (CH60UL) | 1 | 8T Min |
| 24. | LA330120 | Color Change Base Plate | 1 | |
| 25. | | Truss Screw M3x8 | | |
| 26. | | Flush Screw M4x6 | | |
| 27. | | Hex Socket Bolt M4x10 (with Spring Washer) | | |
| 28. | | Hex Socket Bolt M5x25 (with Washers) | | |
| 29. | | Hex Socket Bolt M4x25 (with Spring Washer) | | |
| 30. | | Hex Socket Bolt M5x15 | | |
| 31. | | Hex Socket Bolt M3x16 (with Washers) | | |
| 32. | | Hex Socket Set Screw M5x10 | | |
| 33. | | Hex Socket Set Screw M6x6 | | |
| 34. | | Hex Socket Bolt M4x60 (with Washers) | | |
| 35. | | Hex Socket Bolt M5x25 | | |
| 36. | | Hex Socket Bolt M4x10 (with Washers) | | |
| 37. | | Hex Socket Bolt M5x18 | | |
| | | | | |
| | | | | |
| | | | | |

07B COLOR CHANGE B



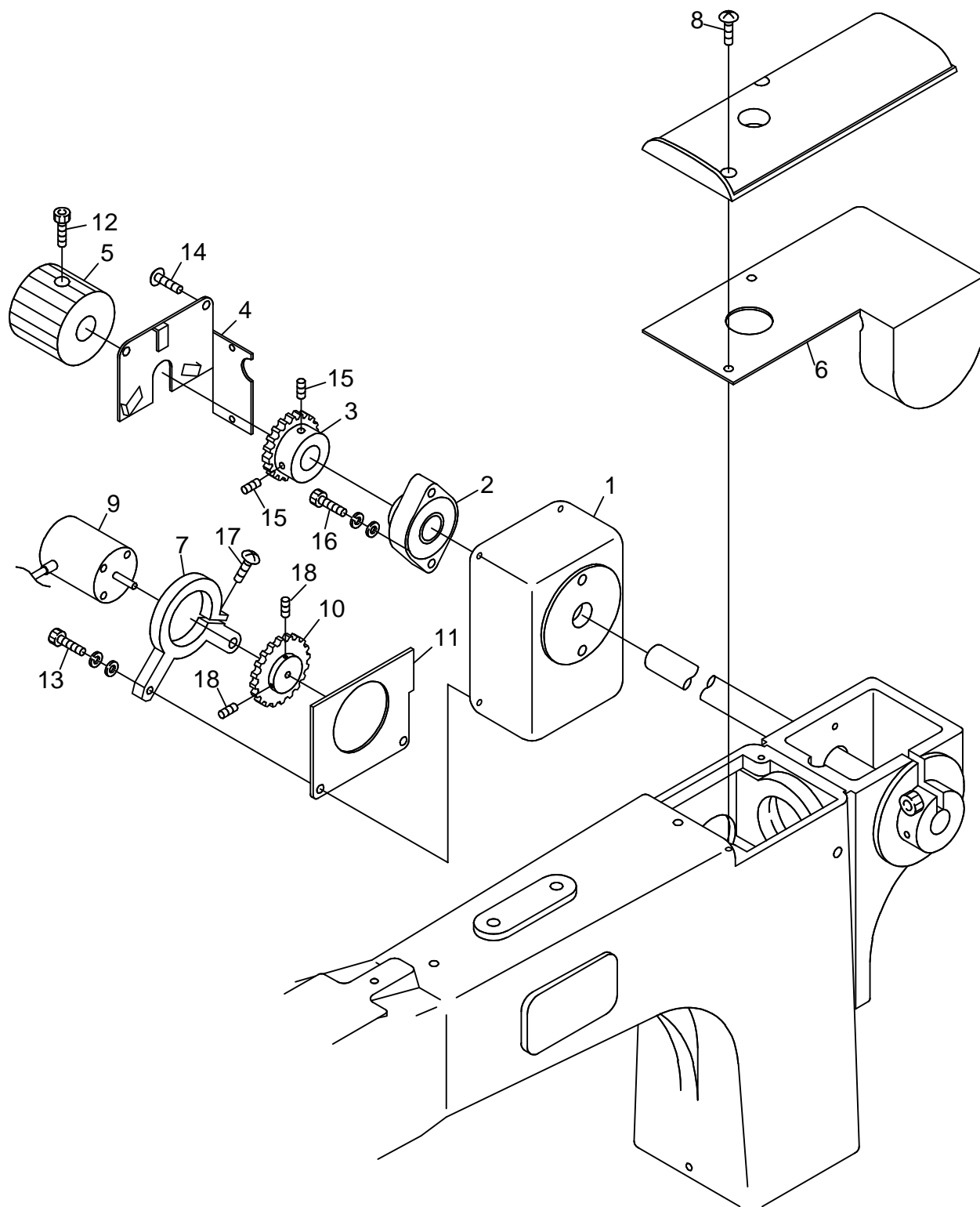
BENYME-ZN/ZQ
BENBME-ZN/ZQ

08 DRIVE



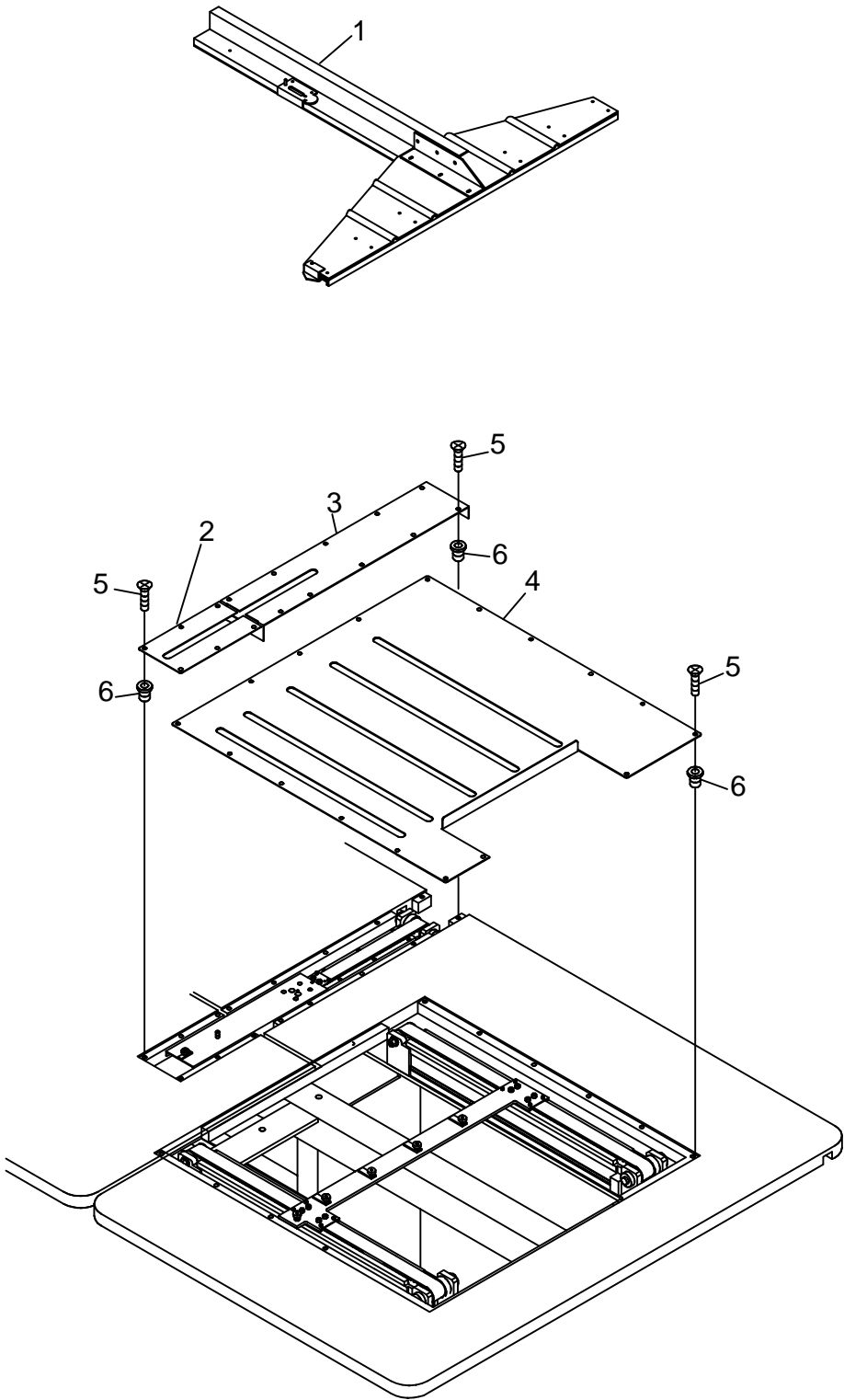
BENYME-ZN/ZQ
BENBME-ZN/ZQ

09 CONNECTING SHAFT



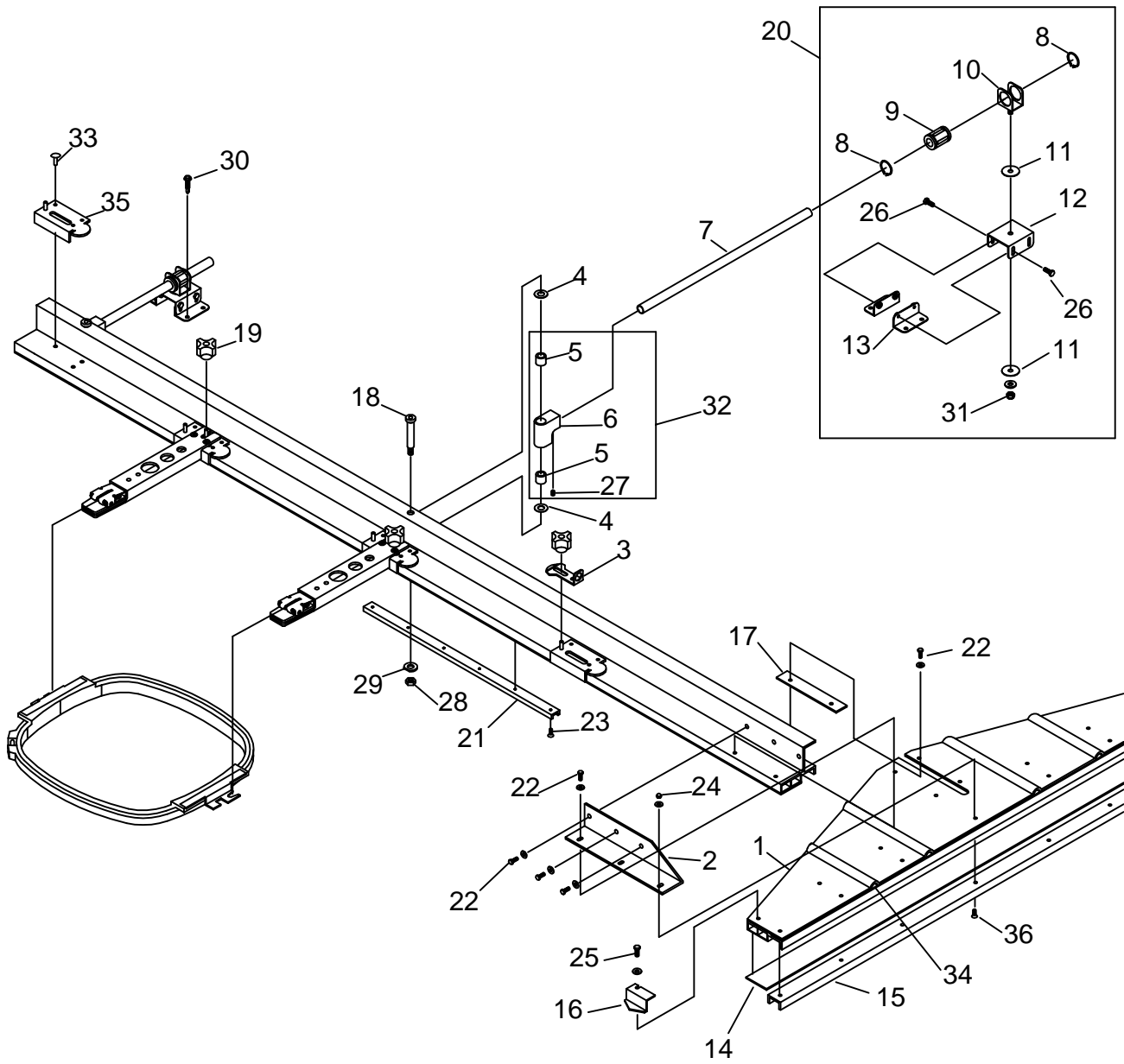
BENYME-ZN/ZQ
BENBME-ZN/ZQ

10A PANTOGRAPH DRIVE A



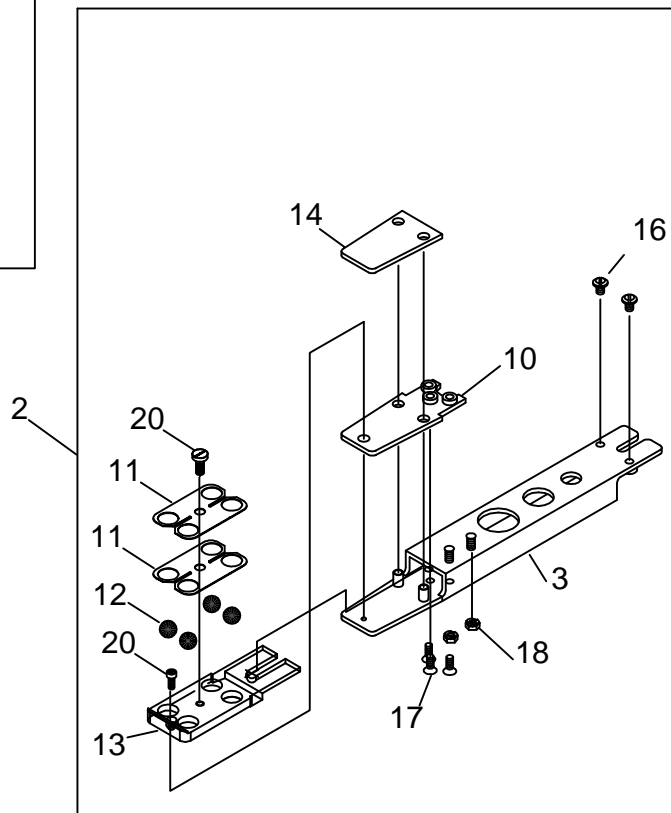
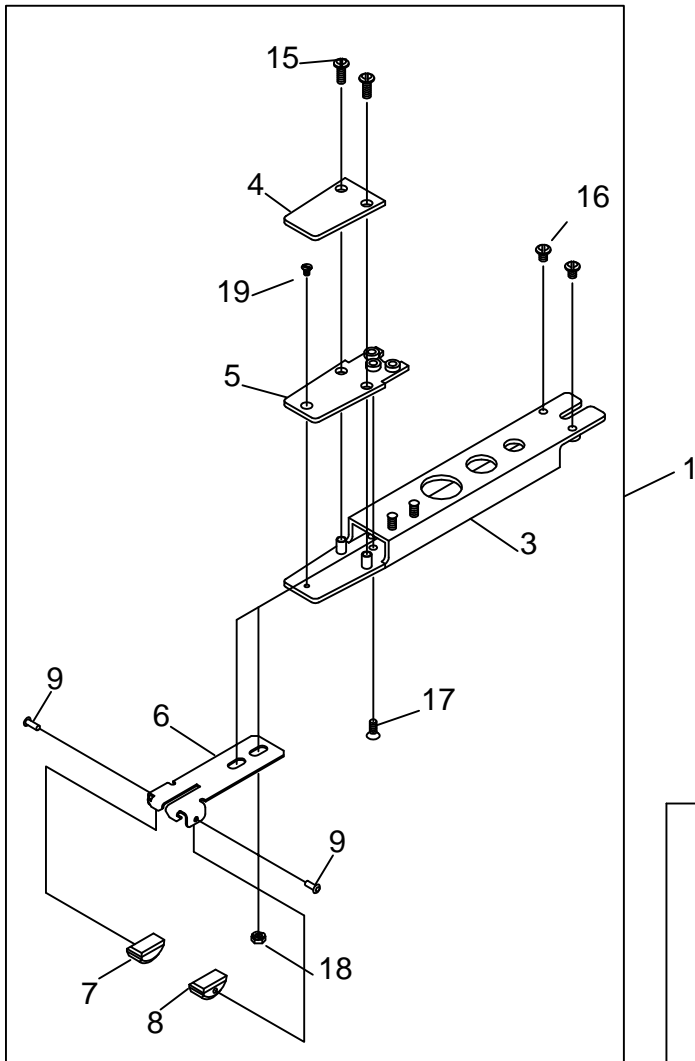
BENYME-ZN/ZQ
BENBME-ZN/ZQ

10B-1 PANTOGRAPH DRIVE B



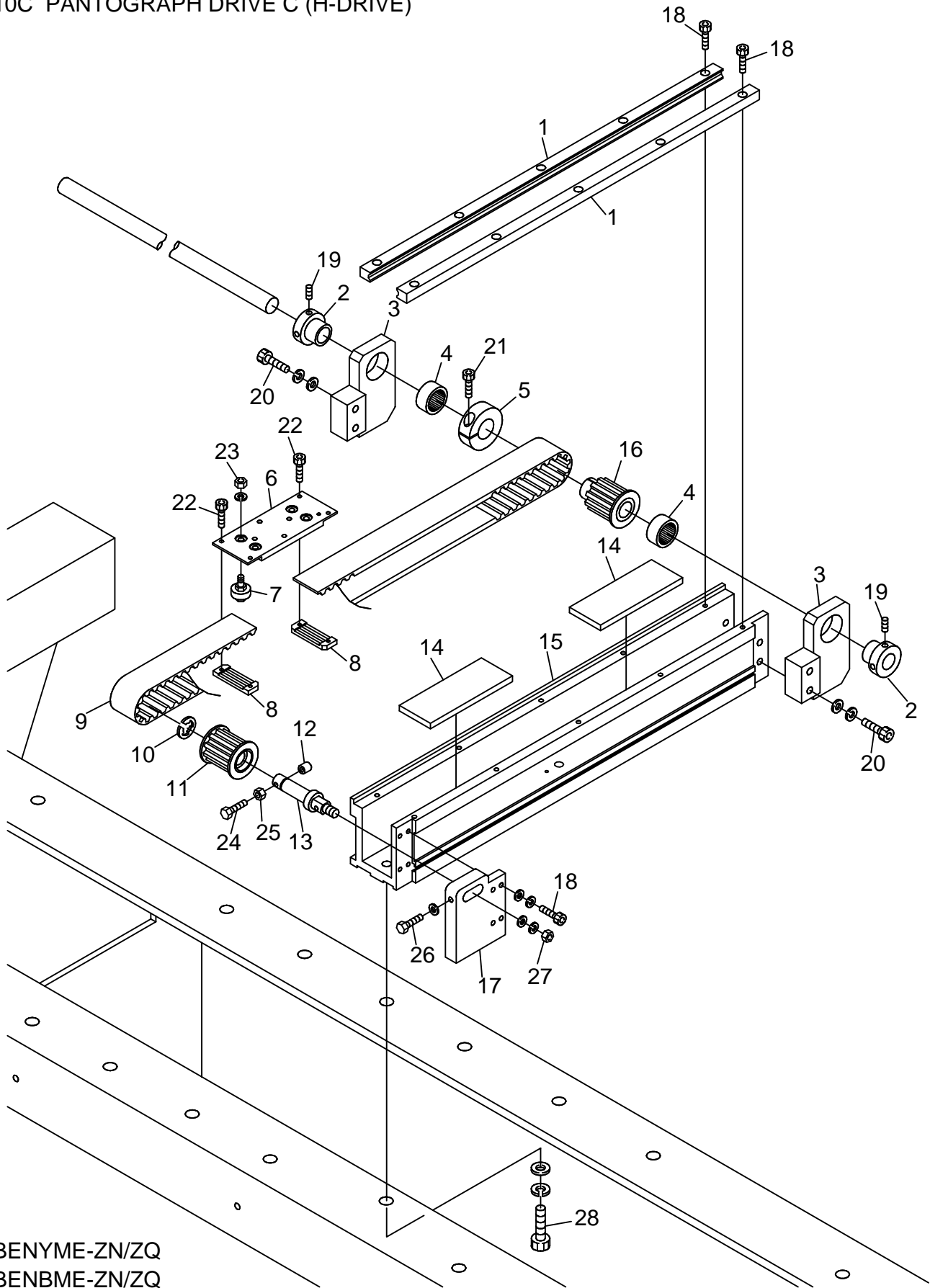
BENYME-ZN/ZQ
BENBME-ZN/ZQ

10B-2 PANTOGRAPH HOOP SUPPORT ARM



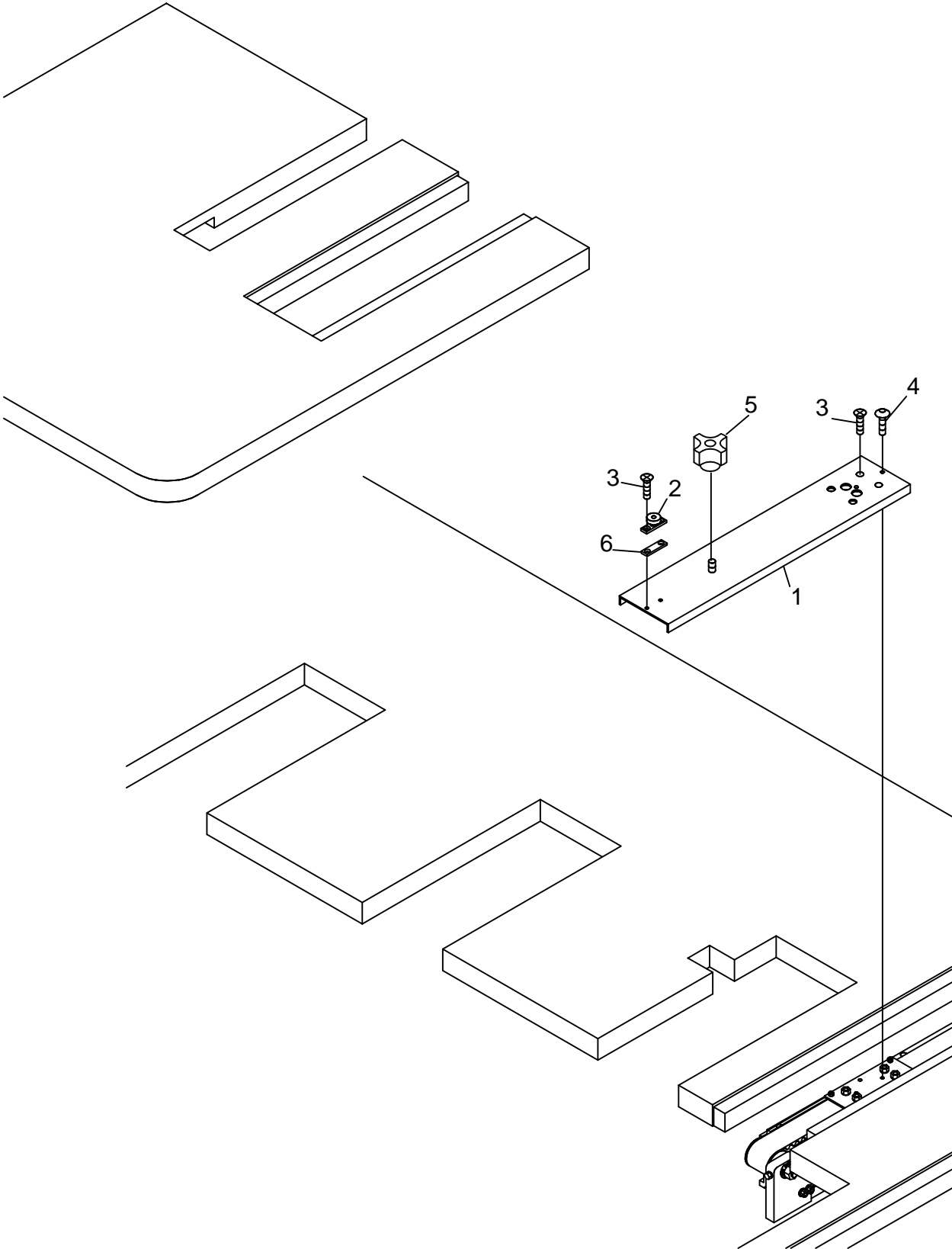
BENYME-ZN/ZQ
BENBME-ZN/ZQ

10C PANTOGRAPH DRIVE C (H-DRIVE)



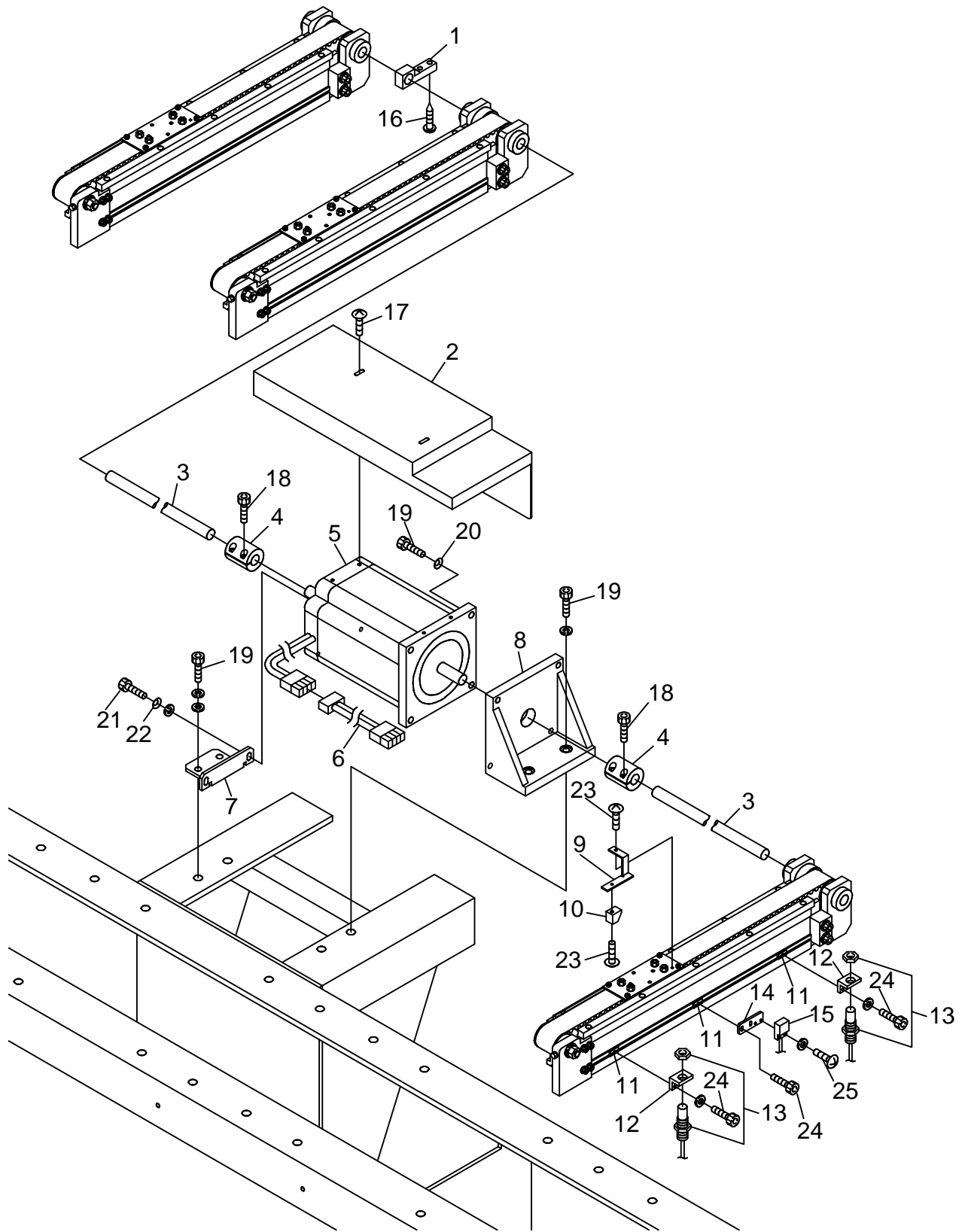
BENYME-ZN/ZQ
BENBME-ZN/ZQ

10D PANTOGRAPH DRIVE D



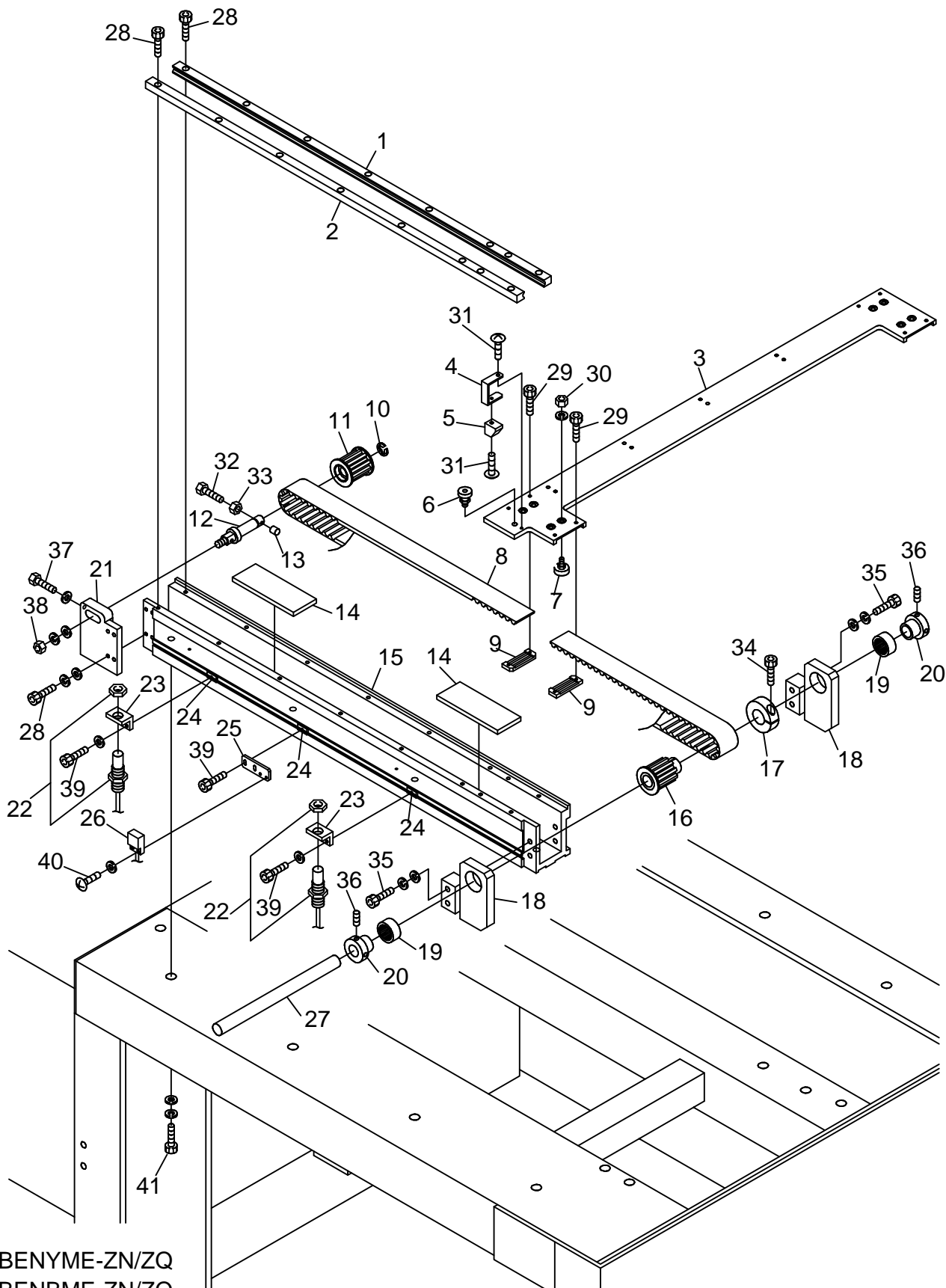
BENYME-ZN/ZQ
BENBME-ZN/ZQ

10E PANTOGRAPH DRIVE E



BENYME-ZN/ZQ
BENBME-ZN/ZQ

10F PANTOGRAPH DRIVE F (V-DRIVE)

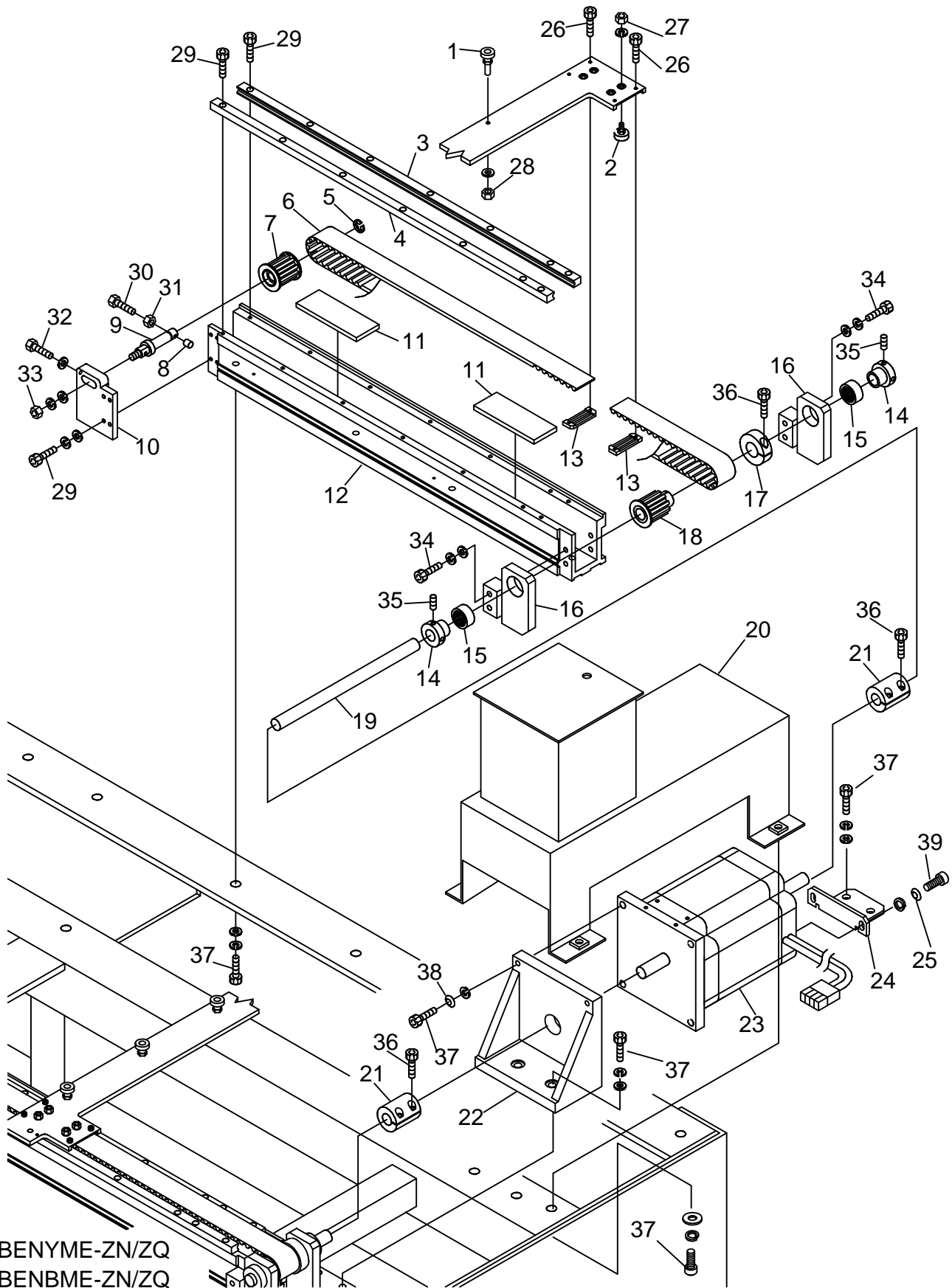


BENYME-ZN/ZQ
BENBME-ZN/ZQ

10F Pantograph Drive F (V-Drive)

| ITEM | LIST NO. | DESCRIPTION | QTY | NOTE |
|------|----------|--|-----|-------------|
| 1. | KV480080 | V-Guide Rail, Right (610L) | 1 | |
| 2. | KV480090 | V-Guide Rail, Left (610L) | 1 | |
| 3. | LA480150 | V-Roller Base | 1 | |
| 4. | LA450020 | ZQ/ZNA V-Magnet Bracket | 1 | |
| 5. | A9052030 | Magnet (M-102A-02) | 1 | |
| 6. | HP483370 | Bearing Pin Assembly | 1 | |
| 7. | HP482950 | Roller Pin Assembly A | 4 | |
| 8. | HV480110 | V-Timing Belt (White, S5M) | 1 | Cut Product |
| 9. | HP482940 | Timing Belt Rack (5M) | 2 | |
| 10. | A9012052 | E-ring (10.0 Dia.) | 1 | |
| 11. | HV480050 | Pantograph Driving Pulley (Front) | 1 | |
| 12. | HH481991 | Timing Pulley Shaft | 1 | |
| 13. | HH482110 | Pulley Shaft Bolt Cap | 1 | |
| 14. | KN480061 | Rail Base Felt (100x38x6) | 2 | |
| 15. | A100514 | ZQ/ZNA-520 V-Drive Assembly (645L) | 1 | |
| 16. | HV480040 | H-Drive Pulley, Rear (NS) | 1 | |
| 17. | HH481980 | Clamping Collar (19.0 Dia.) | 1 | |
| 18. | LA480040 | ZQ/ZNA Rear Pulley Bracket | 2 | |
| 19. | A9011111 | Needle Bearing (TLA2012Z) | 2 | |
| 20. | HP321090 | Lower Shaft Connecting Collar | 2 | |
| 21. | HH482000 | ZQ/ZNA Front Pulley Bracket | 1 | |
| 22. | A9052079 | Frame Limit Switch (RS-001) | 2 | |
| 23. | MT460240 | V-Switch Bracket (RS-001) | 2 | |
| 24. | KU460270 | Plate Nut (M3) | 3 | |
| 25. | KN450300 | Origin Sensor Mounting Bracket (MH-601A) | 1 | |
| 26. | A9052031 | Origin Sensor Magnet Switch (MH-601A) | 1 | |
| 27. | KC320113 | Driving Shaft (15 mm x 12') | 1 | Cut Product |
| 28. | | Hex Socket Bolt M4x15 | | |
| 29. | | Hex Socket Bolt M3x6 | | |
| 30. | | Hex Nut M5 | | |
| 31. | | Truss Screw M3x6 | | |
| 32. | | Hex Socket Bolt M4x35 | | |
| 33. | | Hex Nut M4 | | |
| 34. | | Hex Socket Bolt M5x18 | | |
| 35. | | Hex Socket Bolt M6x30 | | |
| 36. | | Hex Socket Set Screw M5x8 | | |
| 37. | | Hex Socket M4x25 | | |
| 38. | | Hex Nut M8 | | |
| 39. | | Hex Socket Bolt M3x8 | | |
| 40. | | Truss Screw M3x10 | | |
| 41. | | Hex Socket Bolt M8x25 | | |

10G PANTOGRAPH DRIVE G

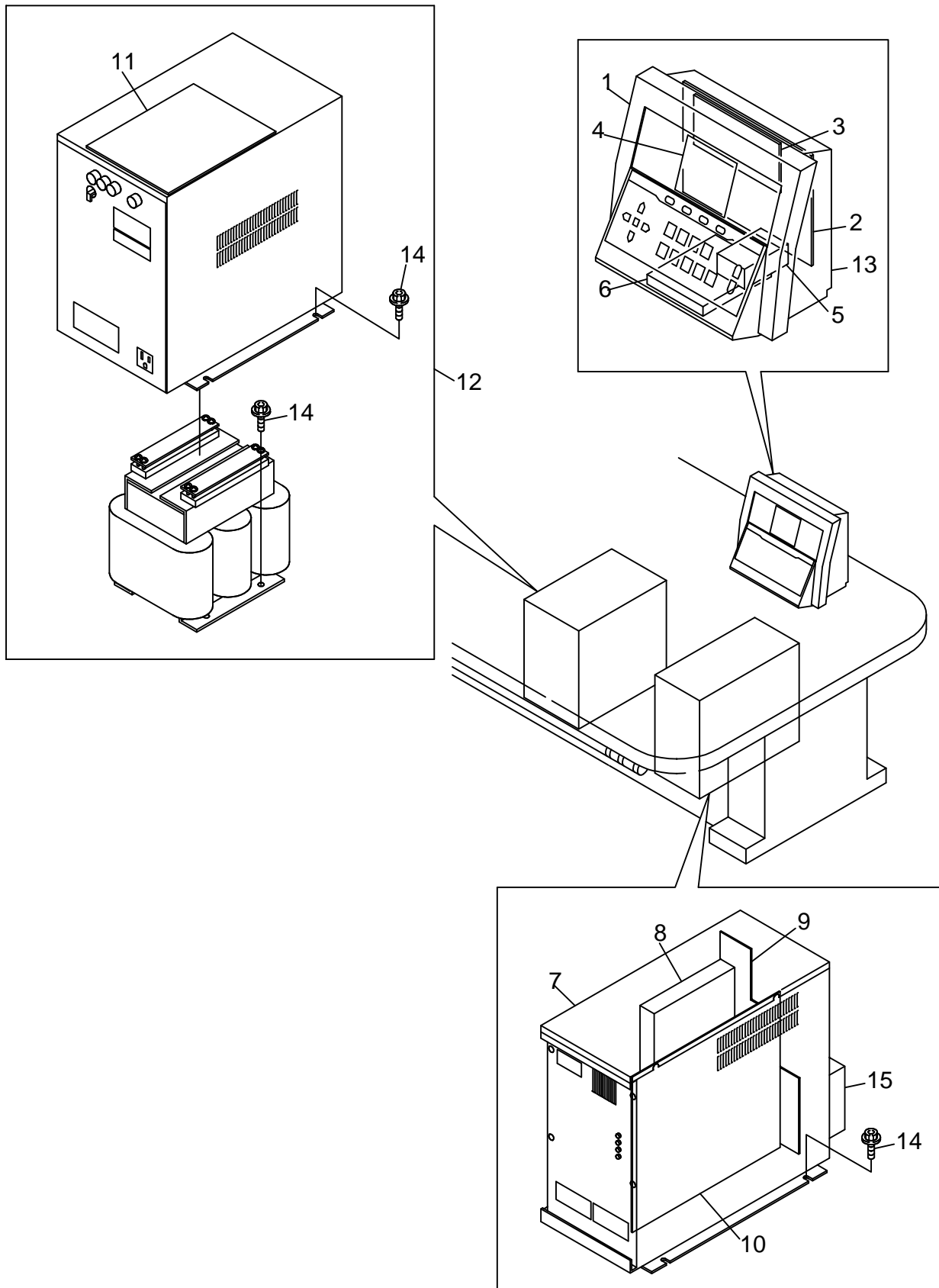


BENYME-ZN/ZQ
BENBME-ZN/ZQ

10G Pantograph Drive G

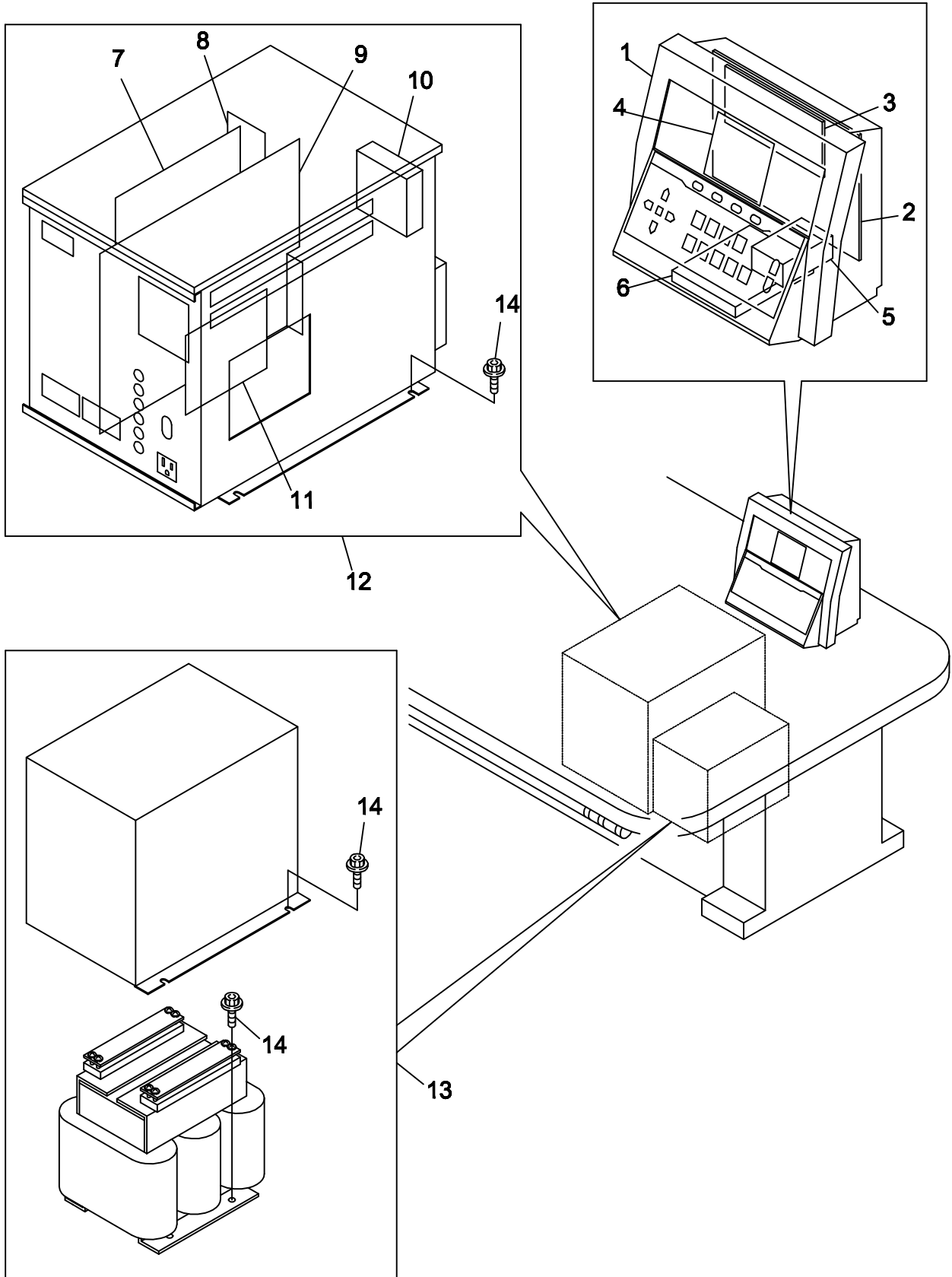
| ITEM | LIST NO. | DESCRIPTION | QTY | NOTE |
|------|----------|------------------------------------|-----|-------------|
| 1. | HP483111 | Bearing Pin Assembly B | 4 | |
| 2. | HP482950 | Roller Pin Assembly A | 4 | |
| 3. | KV480080 | V-Guide Rail, Right (610L) | 1 | |
| 4. | KV480090 | V-Guide Rail, Left (610L) | 1 | |
| 5. | A9012052 | E-ring (10.0 Dia.) | 1 | |
| 6. | HV480110 | V-Timing Belt (White, S5M) | 1 | Cut Product |
| 7. | HV480050 | Pantograph Driving Pulley (Front) | 1 | |
| 8. | HH482110 | Pulley Shaft Bolt Cap | 1 | |
| 9. | HH481991 | Timing Pulley Shaft | 1 | |
| 10. | HH482000 | ZQ/ZNA Front Pulley Bracket | 1 | |
| 11. | KN480061 | Rail Base Felt (100x38x6) | 2 | |
| 12. | A100514 | ZQ/ZNA-520 V-Drive Assembly (645L) | 1 | |
| 13. | HP482940 | Timing Belt Rack (5M) | 2 | |
| 14. | HP321090 | Lower Shaft Connecting Collar | 2 | |
| 15. | A9011111 | Needle Bearing (TLA2012Z) | 2 | |
| 16. | LA480040 | ZQ/ZNA Rear Pulley Bracket | 2 | |
| 17. | HH481980 | Clamping Collar (19.0 Dia.) | 1 | |
| 18. | HV480040 | H-Drive Pulley, Rear (NS) | 1 | |
| 19. | KC320113 | Driving Shaft (15 mm x 12') | 1 | Cut Product |
| 20. | A100453 | NS/NY Automat Weldment (ZQ/ZNA) | 1 | |
| 21. | HH481931 | Pulse Motor Coupling | 2 | |
| 22. | HV480010 | H & V Pulse Motor Support Casting | 1 | |
| 23. | RA480010 | NY Pulse Motor (TS3650N1) | 1 | 4-Head |
| | HV480060 | NS Pulse Motor (TS3650N2) | 1 | 6-Head |
| | EAY046A5 | H2129 Pulse Motor Cable (NY-6) | 1 | |
| 24. | HV480020 | H & V Pulse Motor Support Bracket | 1 | |
| 25. | | M6 Lock Washers | | |
| 26. | | Hex Socket Bolt M3x6 | | |
| 27. | | Hex Nut M5 | | |
| 28. | | Hex Nut M6 | | |
| 29. | | Hex Socket Bolt M4x15 | | |
| 30. | | Hex Socket Bolt M4x35 | | |
| 31. | | Hex Nut M4 | | |
| 32. | | Hex Bolt M4x25 | | |
| 33. | | Hex Nut M8 | | |
| 34. | | Hex Socket Bolt M6x25 | | |
| 35. | | Hex Socket Set Screw M5x8 | | |
| 36. | | Hex Socket Bolt M5x18 | | |
| 37. | | Hex Socket Bolt M8x25 | | |
| 38. | | M8 Lock Washer | | |
| 39. | | Hex Socket Bolt M6x25 | | |
| | | | | |
| | | | | |
| | | | | |

11A-1-1 CONTROL A (NY)



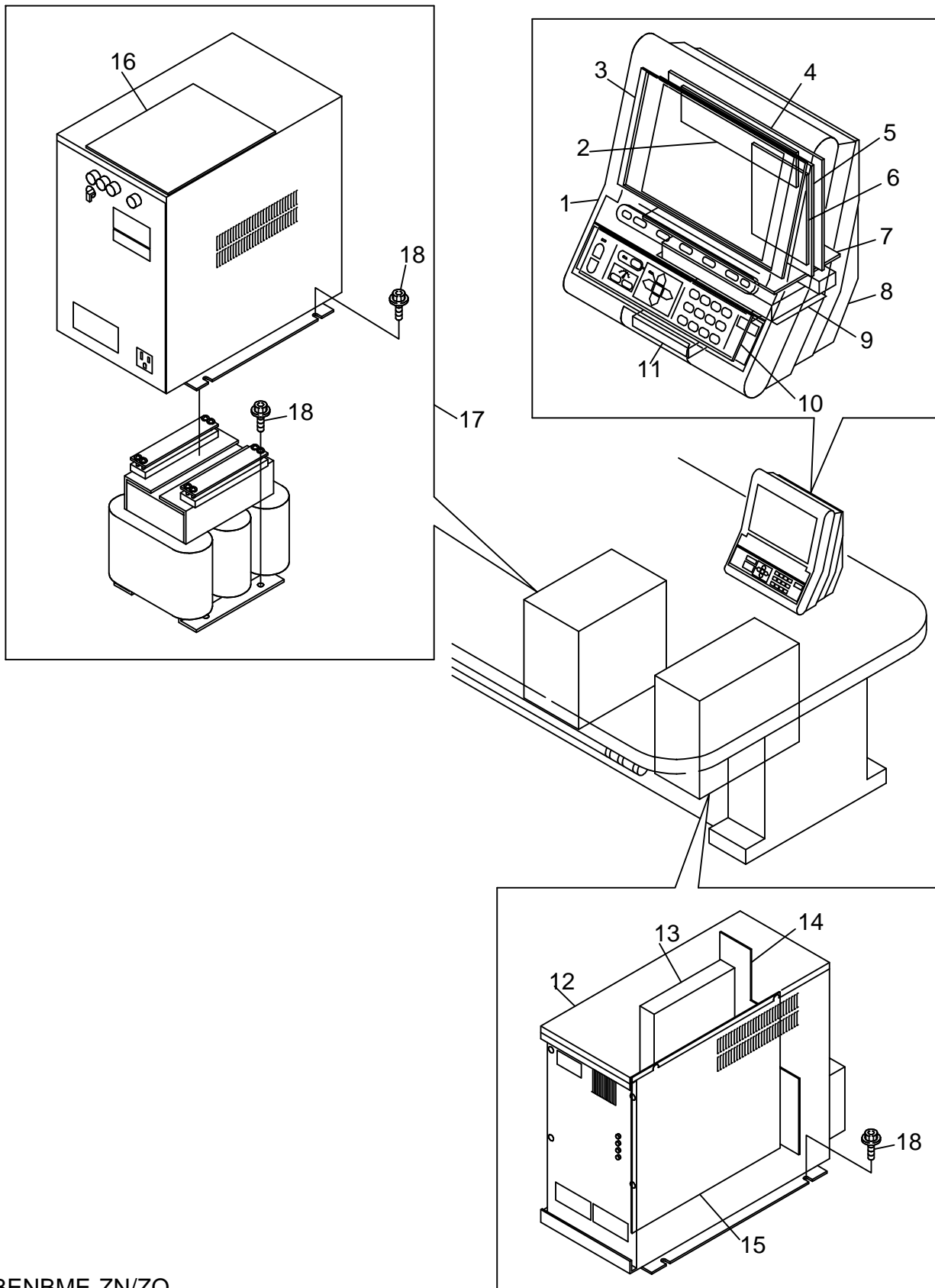
BENYME-ZN/ZQ

11A-1-2 CONTROL A (NY-2)



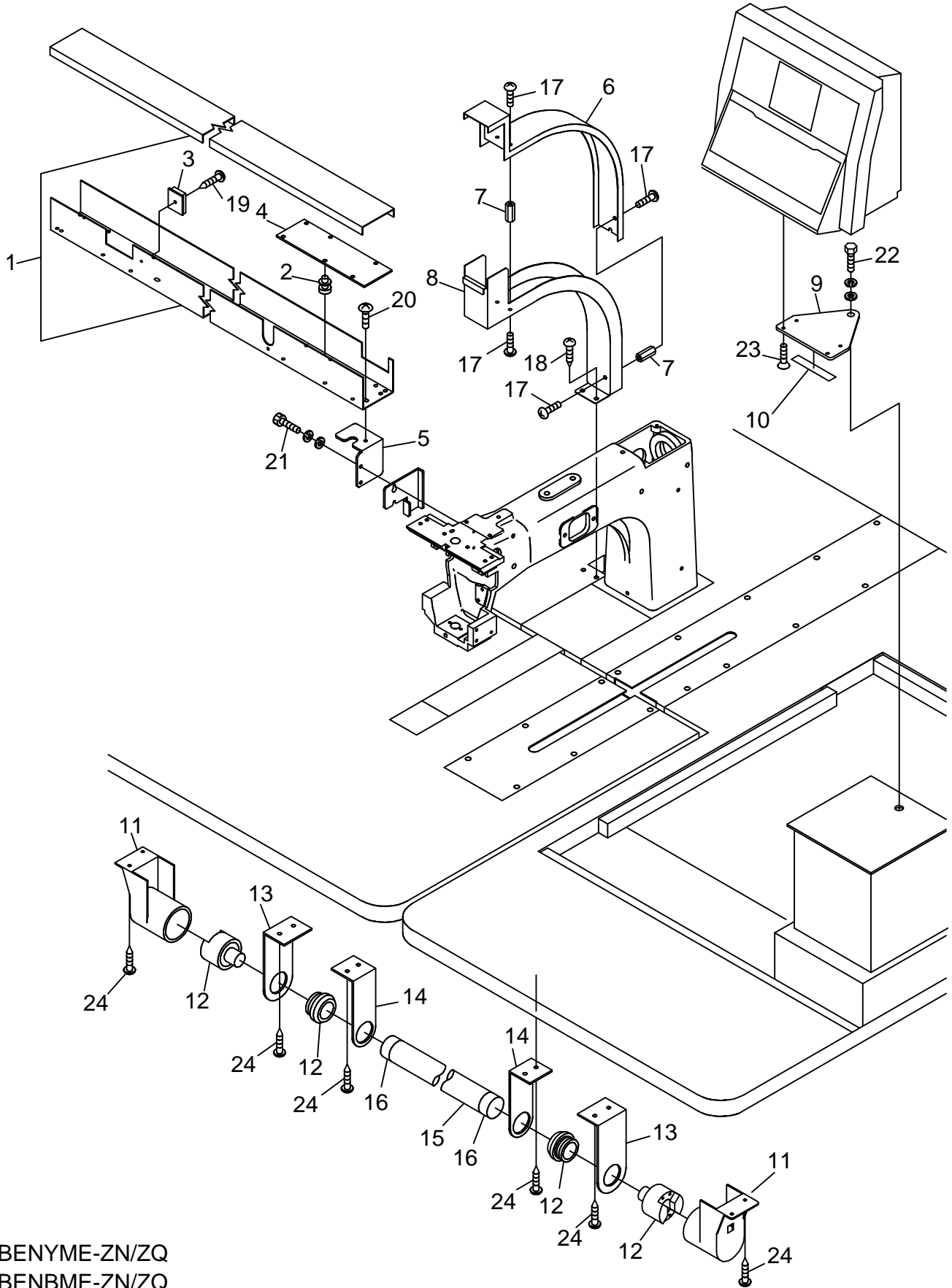
BENYME-ZN/ZQ

11A-2 CONTROL A (NB)



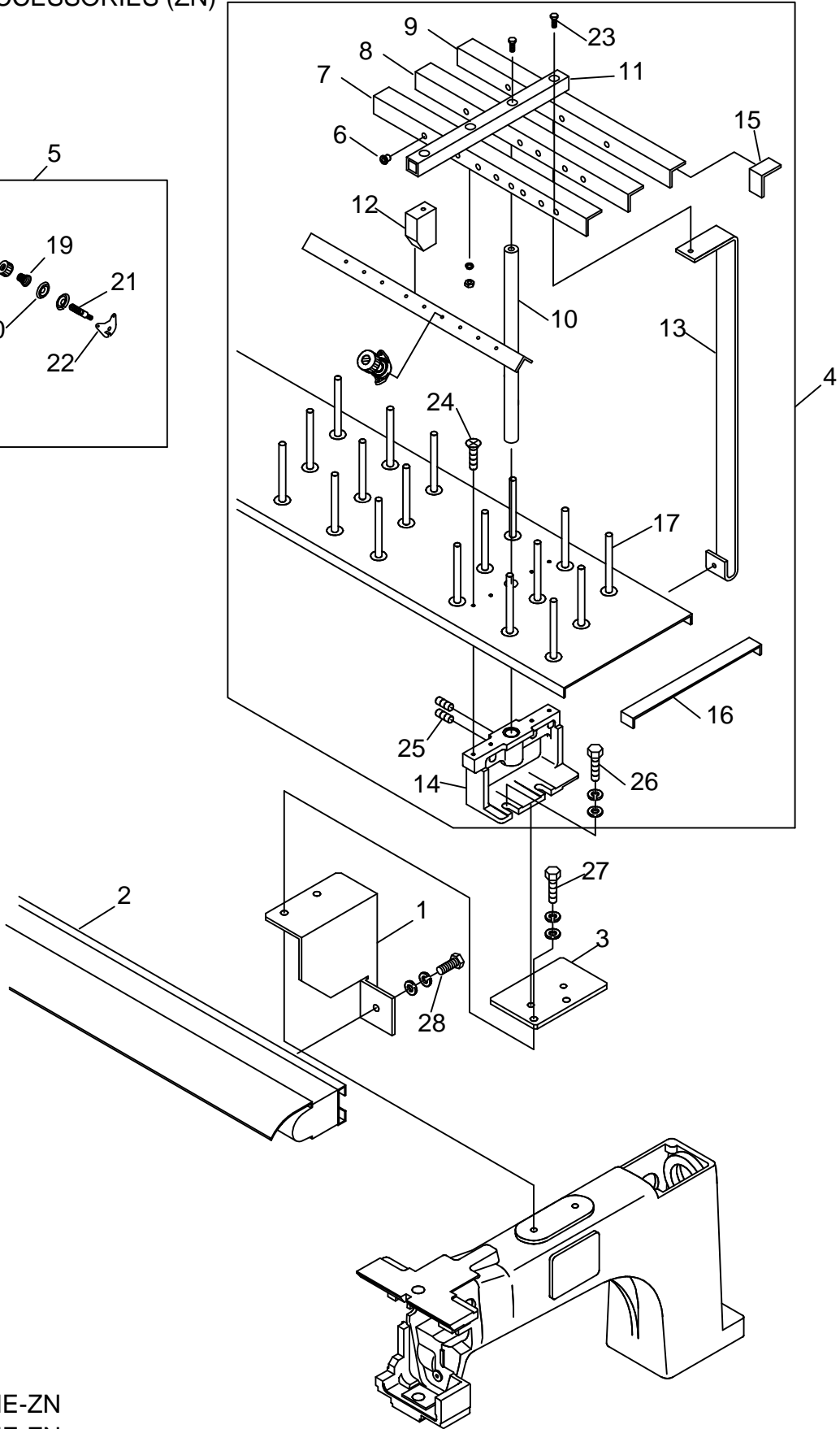
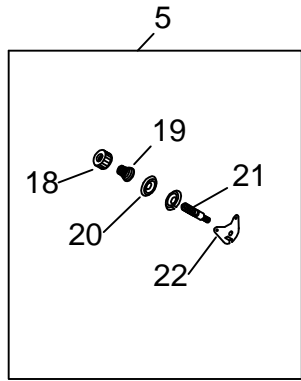
BENBME-ZN/ZQ

11B CONTROL B



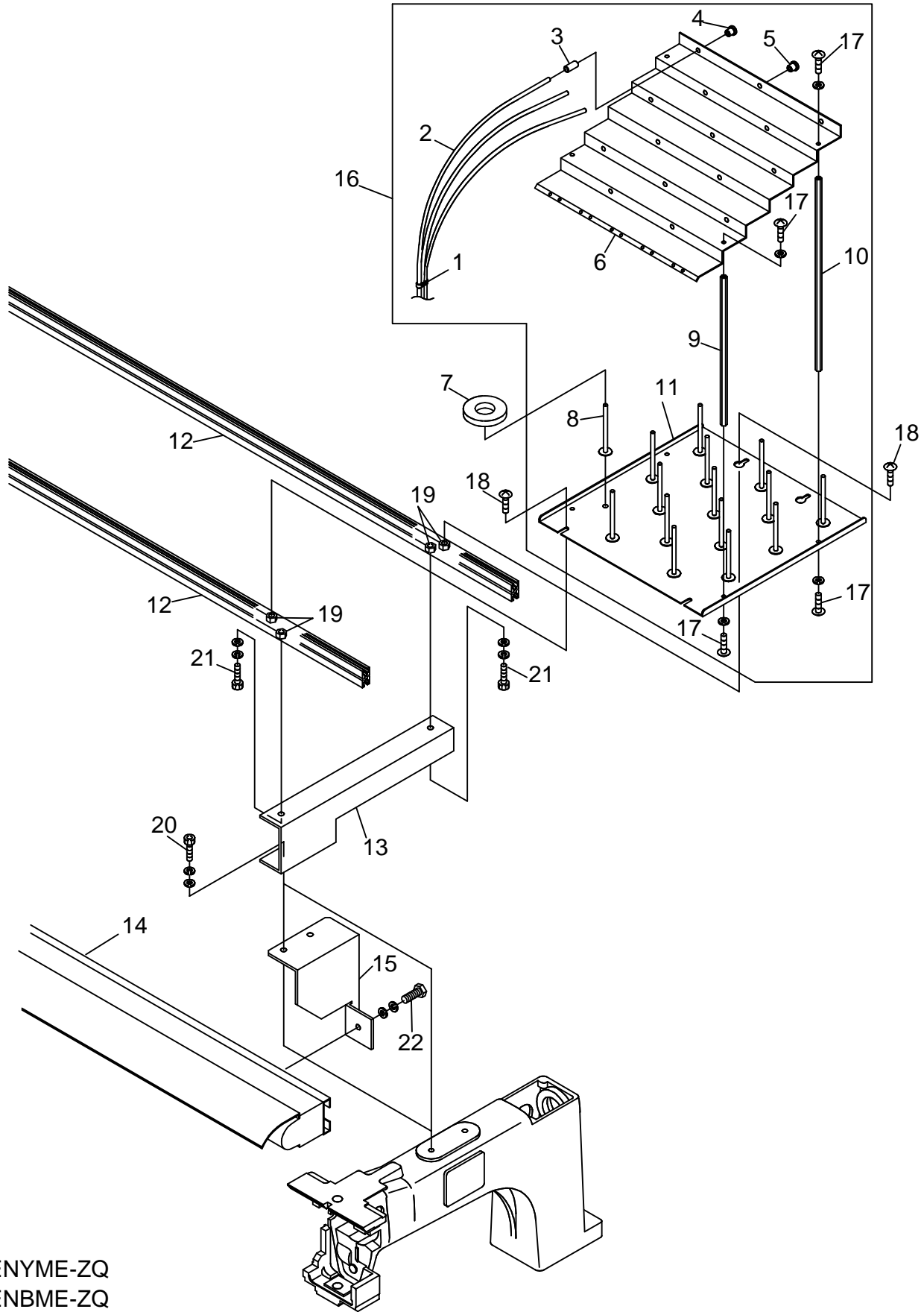
BENYME-ZN/ZQ
BENBME-ZN/ZQ

12-1 ACCESSORIES (ZN)



BENYME-ZN
BENBME-ZN

12-2 ACCESSORIES (ZQ)



BENYME-ZQ
BENBME-ZQ

