

# Barudan

COMPUTERIZED MONOGRAM MACHINE

MODEL **BEATME** <sup>902</sup><sub>904</sub><sup>906</sup><sub>908</sub> - **YN**  
**YS**  
(YS I)

## PARTS LIST

**BARUDAN CO., LTD.**

ADDRESS 906 JOSUJI  
ICHINOMIYA-CITY · AICHI-PREF ·  
JAPAN

TEL. <0586>76-1137

FAX. <0586>77-1499

TELEX 4573268 BARUNA J

CABLE BARUNA ICHINOMIYA

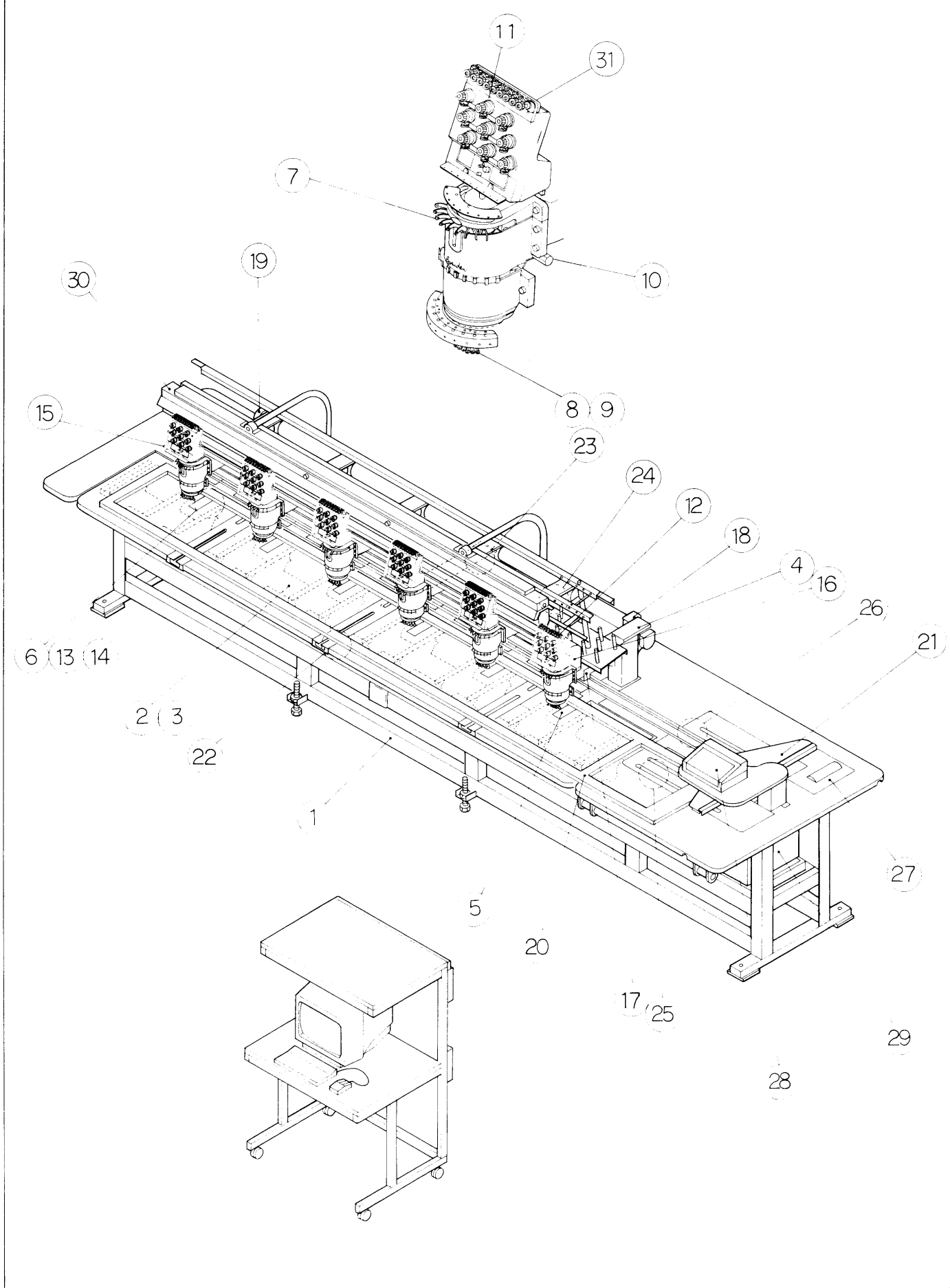


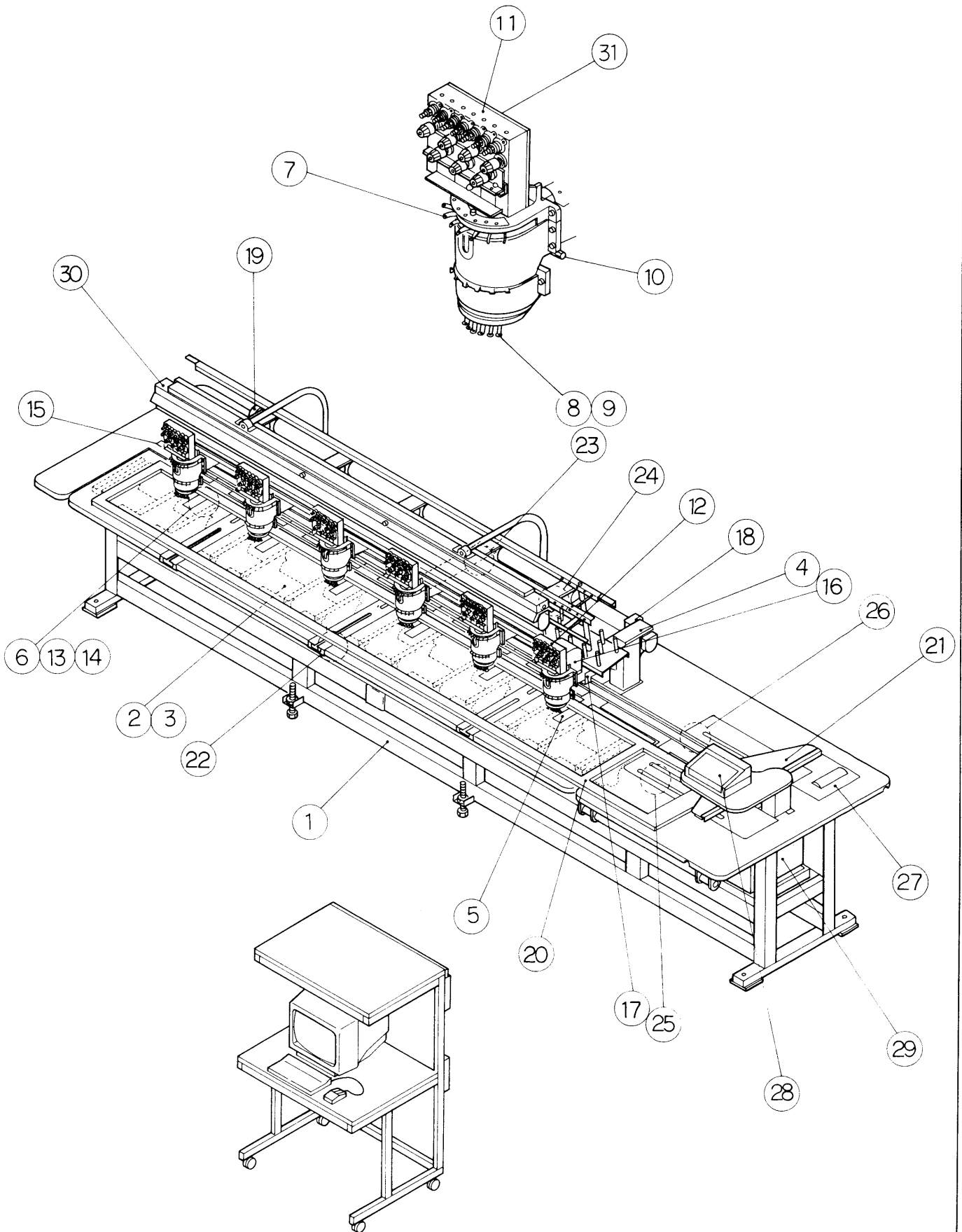
## MACHINE PARTS LIST

### C O N T E N T S

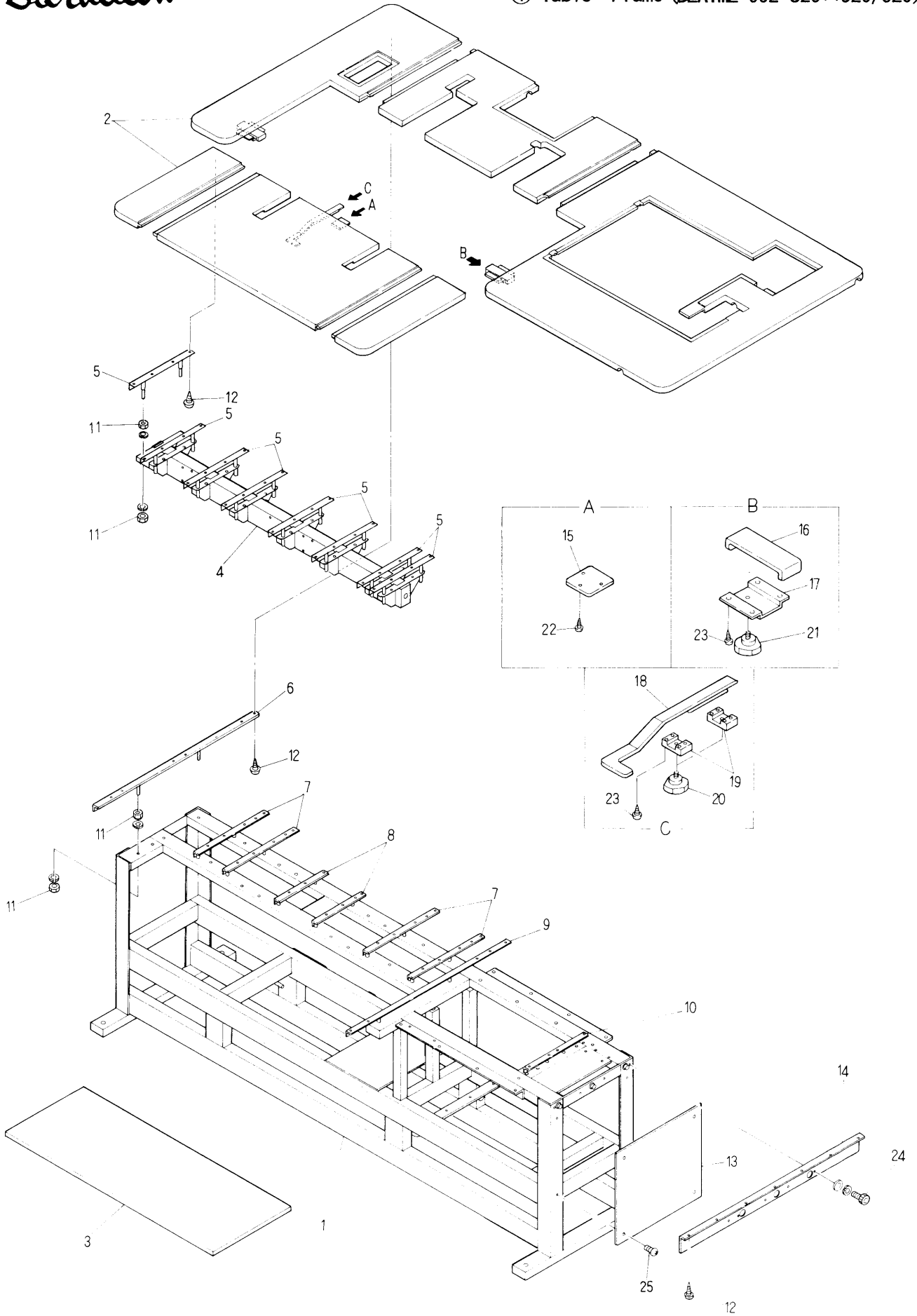
ITEM No.	Page No.
Machine layout .....	1
① Table・Frame .....	3
② Table lifter mechanism I .....	1 1
③ Table lifter mechanism II .....	1 9
④ Sewing head a'ssy .....	2 1
⑤ Bed a'ssy .....	2 3
⑥ Automatic thread cutting mechanism I (Thread cutting section) .....	2 5
⑦ Take up lever mechanism .....	2 7
⑧ Needle bar mechanism I .....	3 1
⑨ Needle bar mechanism II .....	3 5
⑩ Jump mechanism.....	3 9
⑪ Thread guide mechanism .....	4 3
⑫ Thread guide mechanism(Head with color chage mechanism) .....	4 7
⑬ Automatic thread cutting mechanisme II (Thread away section) .....	5 1
⑭ Automatic thread cutting mechanisme III (Thread support section) .....	5 3
⑮ Automatic thread cutting mechanisme IV (Drive mechanism) .....	5 7
⑯ Color change mechanism I .....	5 9
⑰ Color change mechanism II .....	6 3
⑱ Connecting shaft mechanism .....	6 7
⑲ Driving mechanism .....	6 9
⑳ Pantograph drive mechanism I (Pantographtion・Cover) .....	7 1
㉑ Pantograph drive mechanism II (T-Pantograph relation) .....	7 3
㉒ Pantograph drive mechanism III (H-Direction・Front) .....	8 1
㉓ Pantograph drive mechanism IV (H-Direction・Rear) .....	8 3
㉔ Pantograph drive mechanism V (H-Direction・Drive) .....	8 5
㉕ Pantograph drive mechanism VI (V-Direction・Front) .....	8 7
㉖ Pantograph drive mechanism VII (V-Direction・Rear) .....	8 9
㉗ Pantograph drive mechanism VIII (V-Direction・Drive) .....	9 1
28 Control system I .....	9 3
29 Control system II .....	9 5
30 Option .....	9 7
31 Thread guide mechanism (Lower thread sensorium) .....	9 9
INDEX .....	1 0 3





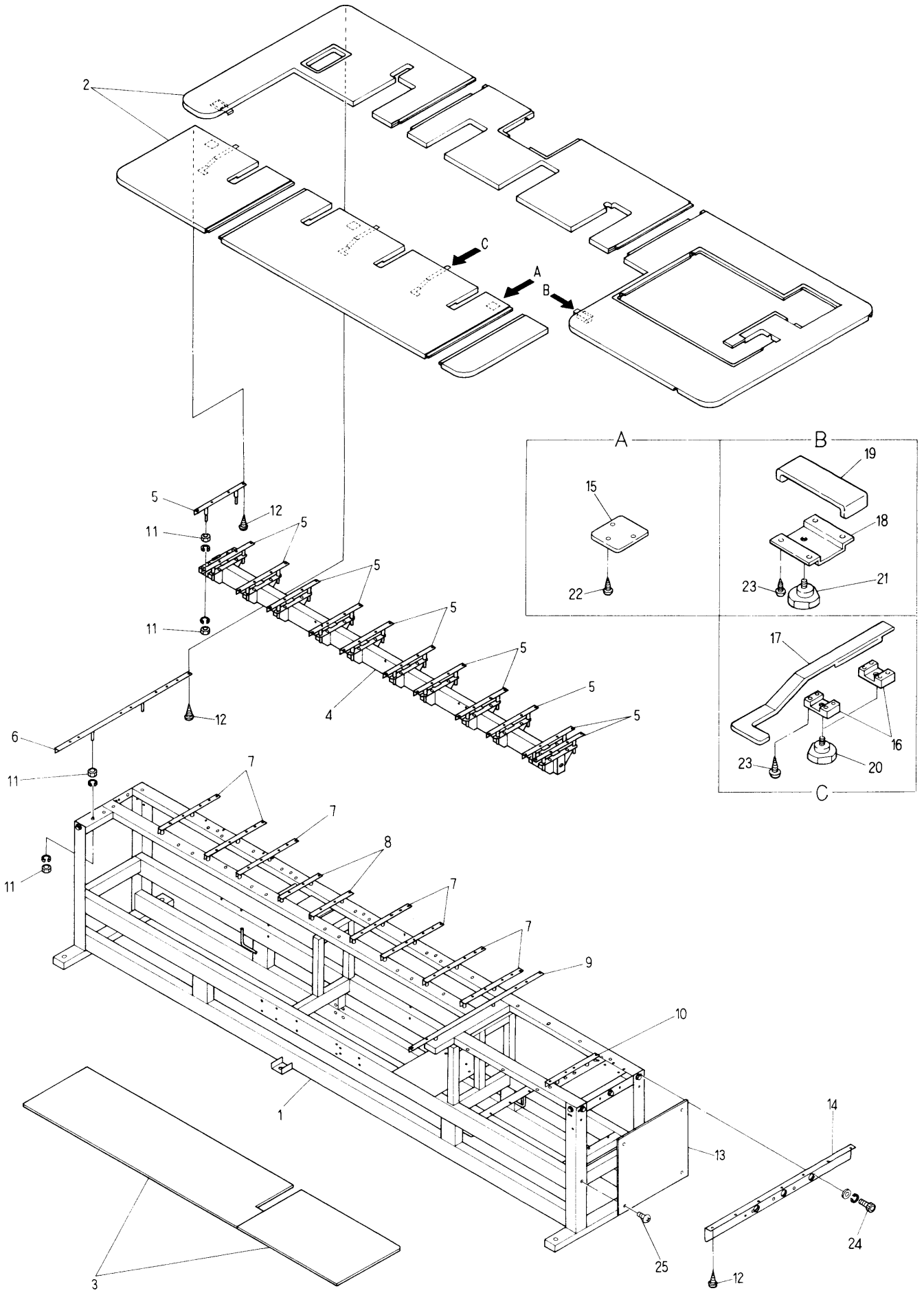




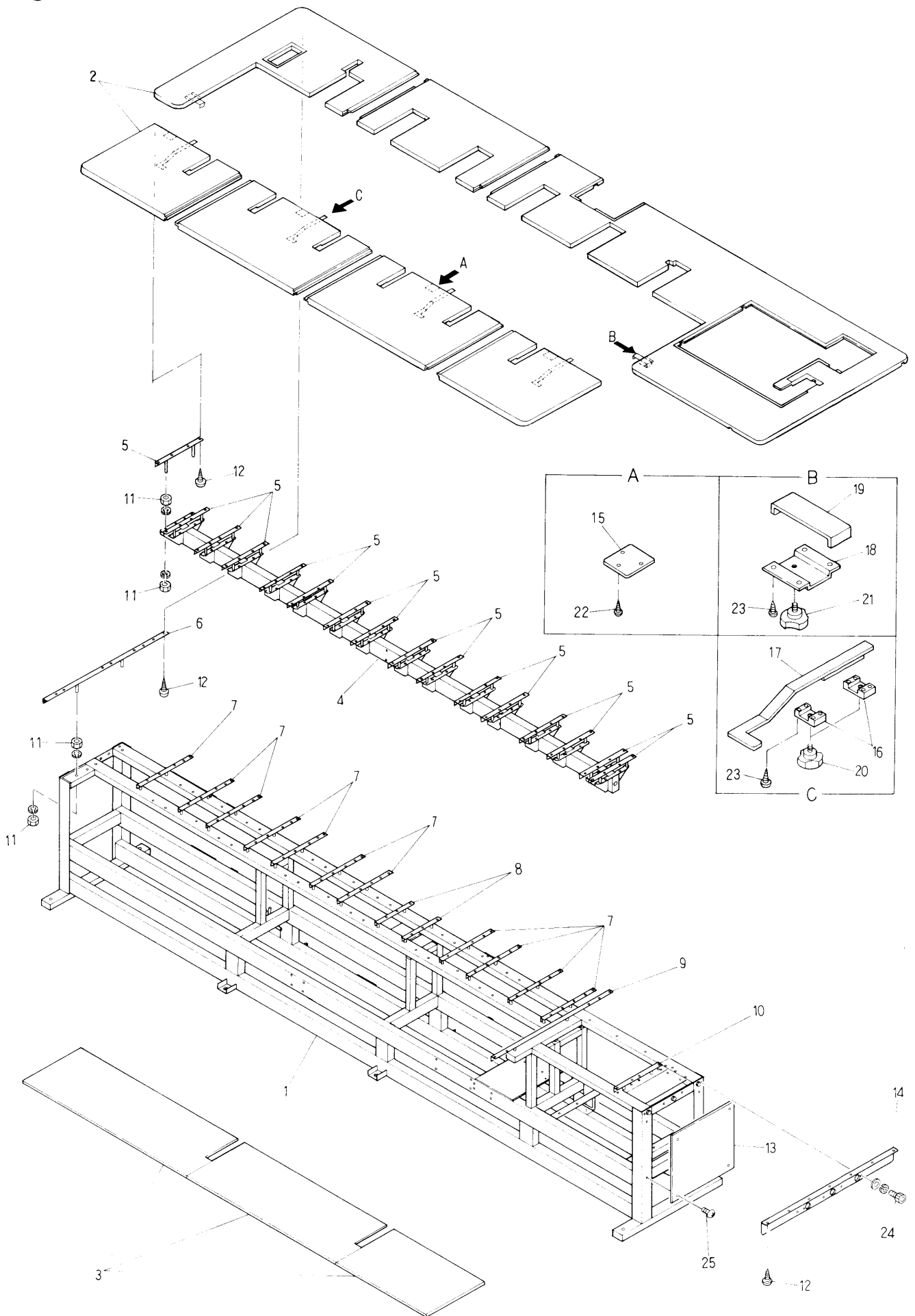




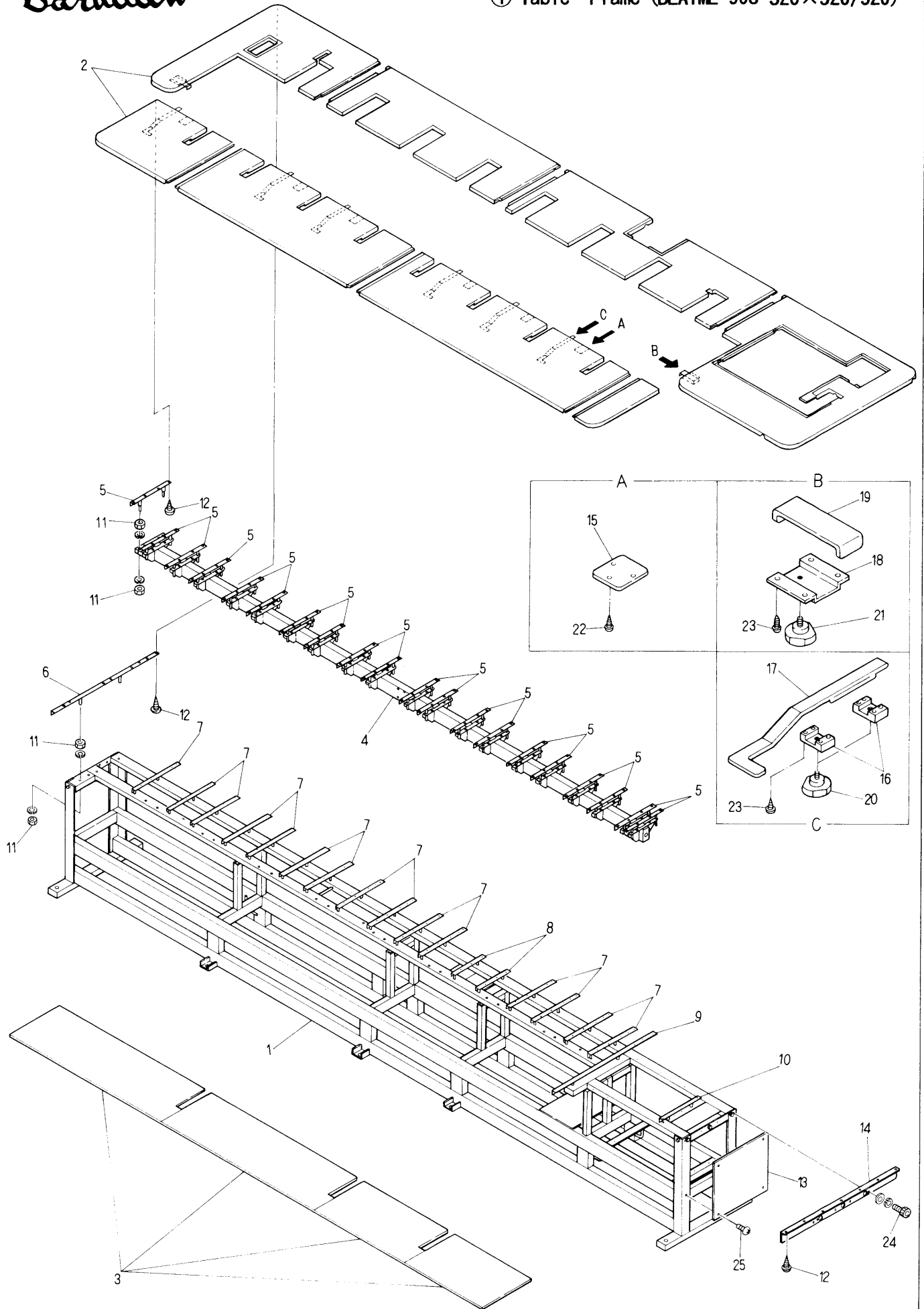






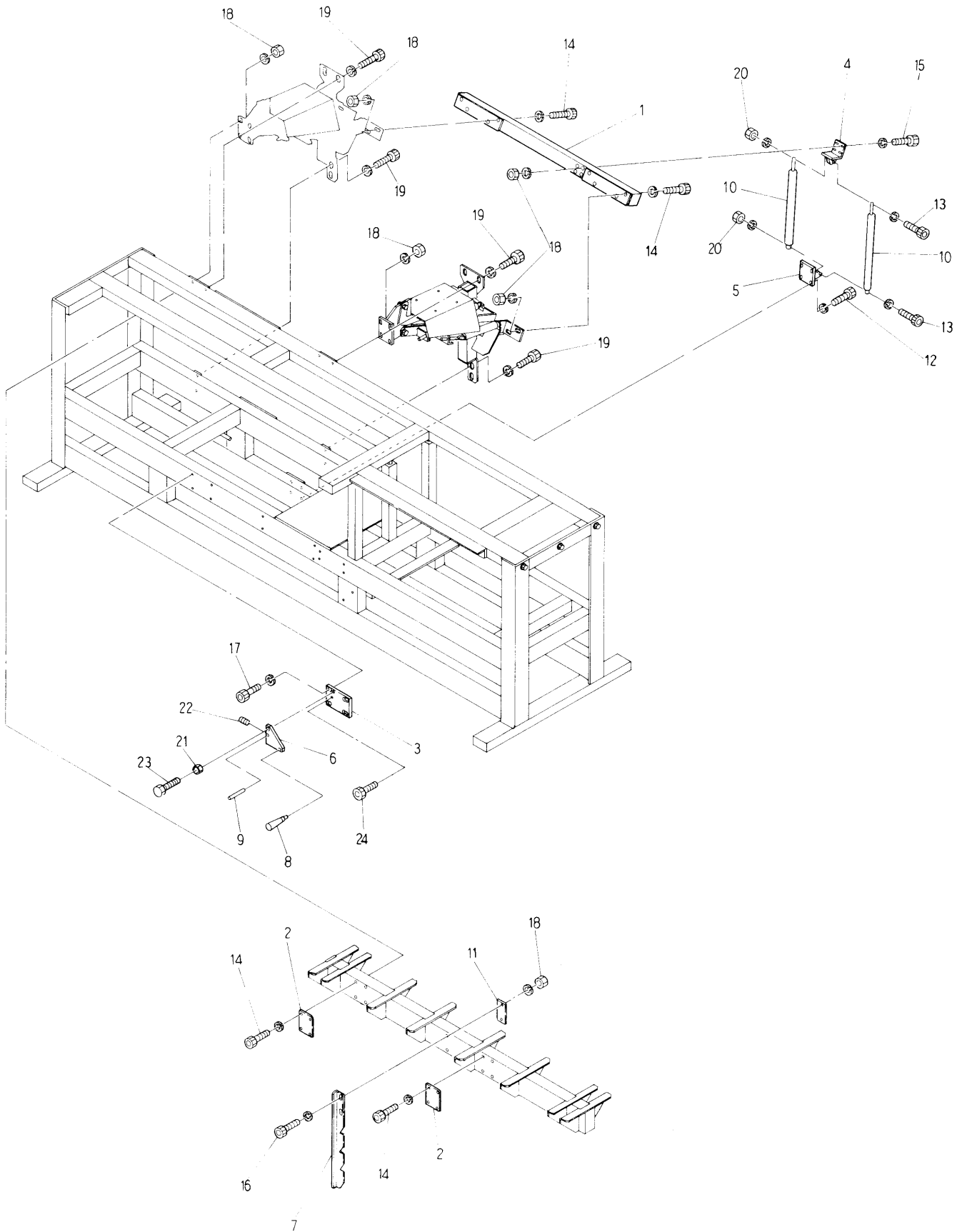






① Table · Frame (BEATME-908 320×520/520) (YN-YS use)

ITEM	LIST No.	DESCRIPTION	Q'TY	REMARK
1	1AKR085205201	Frame (BEATME-908 320×520/520)	1	
2	1BKR085205200	Table (BEATME-908 320×520/520)	1	
3	1KKR085205201	Shelf board (BEATME-908 320×520/520)	1	
4	2AKR085205201	Table guide (BEATME-908 320×520/520)	1	
5	KK140170	Table support (L=350)	20	
6	KR140010	Table support (L=955)	1	
7	KR140040	Table support (L=420)	15	
8	KR140000	Table support (L=290)	2	
9	KR140020	Table support (L=930)	1	
10	KR140030	Table support (L=354)	1	
11		Hex. nut M10		
12		Wood screw M5.1×25		
13	KC110910	Reg frame side cover (R)	1	
14	KK140000	Alumi table support	1	
15	KK140061	Table stopper	6	
16	KK140020	Table stopper bracket	12	
17	KK140160	Table stopper lever	6	
18	MA140320	Center table support plate bracket	2	
19	KR140050	Table support plate	2	
20	A9012250	Knob bolt KT-B, L=10 (M8)	12	
21	A9012032	Knob bolt KT-B, L=20 (M8)	2	
22		Wood screw M3.8×20		
23		Truss screw M4.5×24		
24		Hex. socket bolt M6×20		
25		Truss screw M6×8		



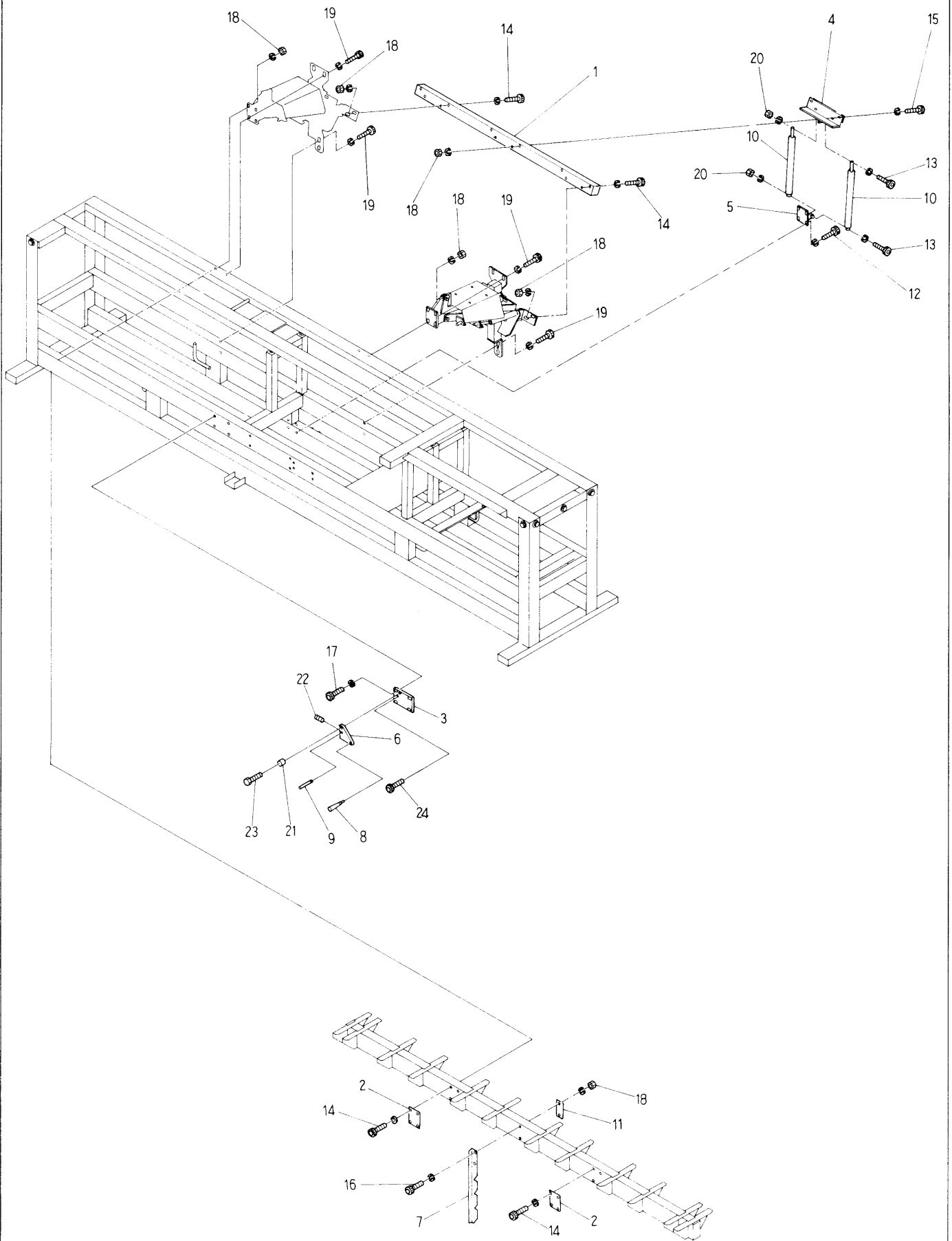




Barudan

② Table lifter mechanism I

(BEATME-904 320×520/520)



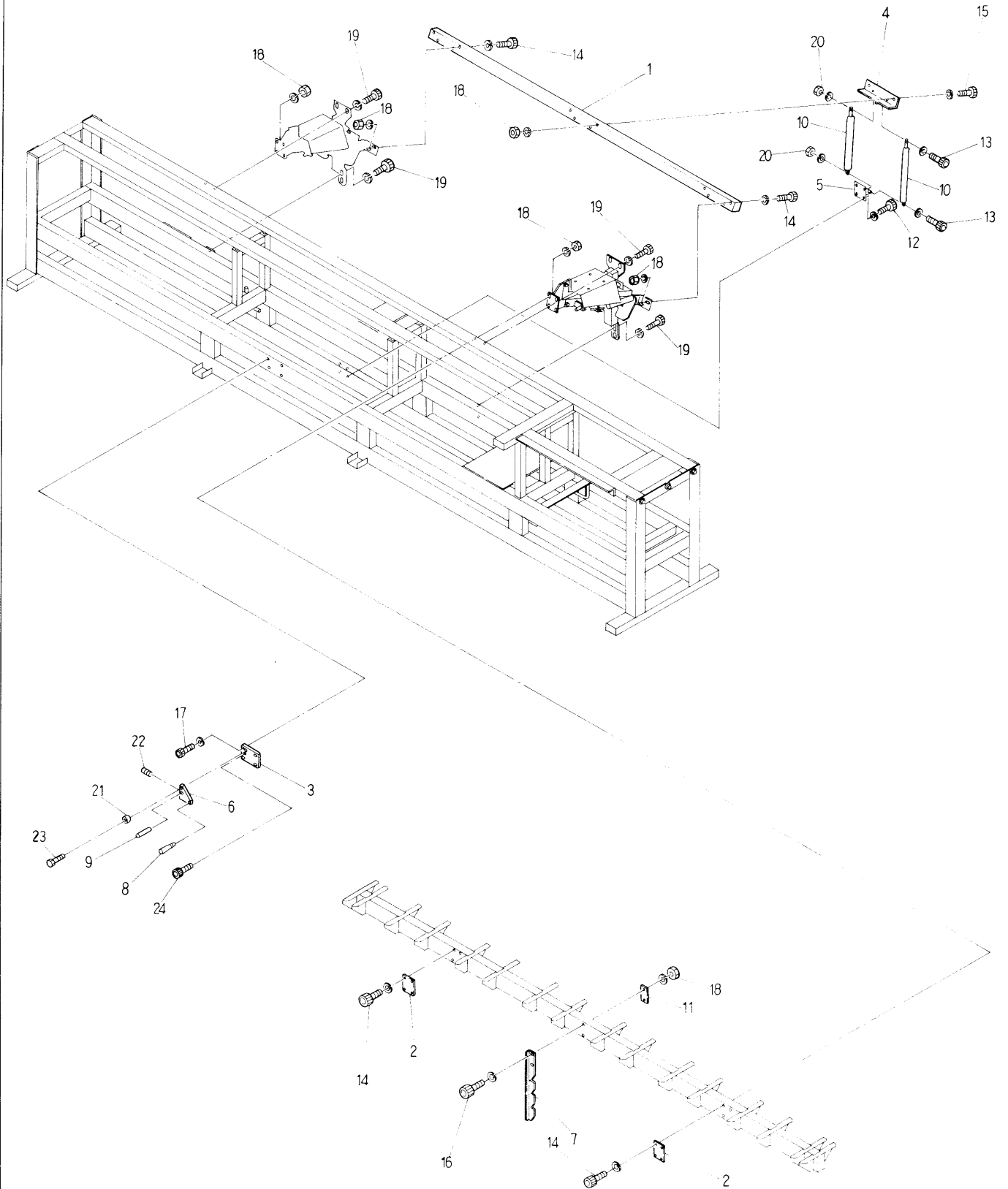
MODEL BEATME 902-YN  
904  
906  
908



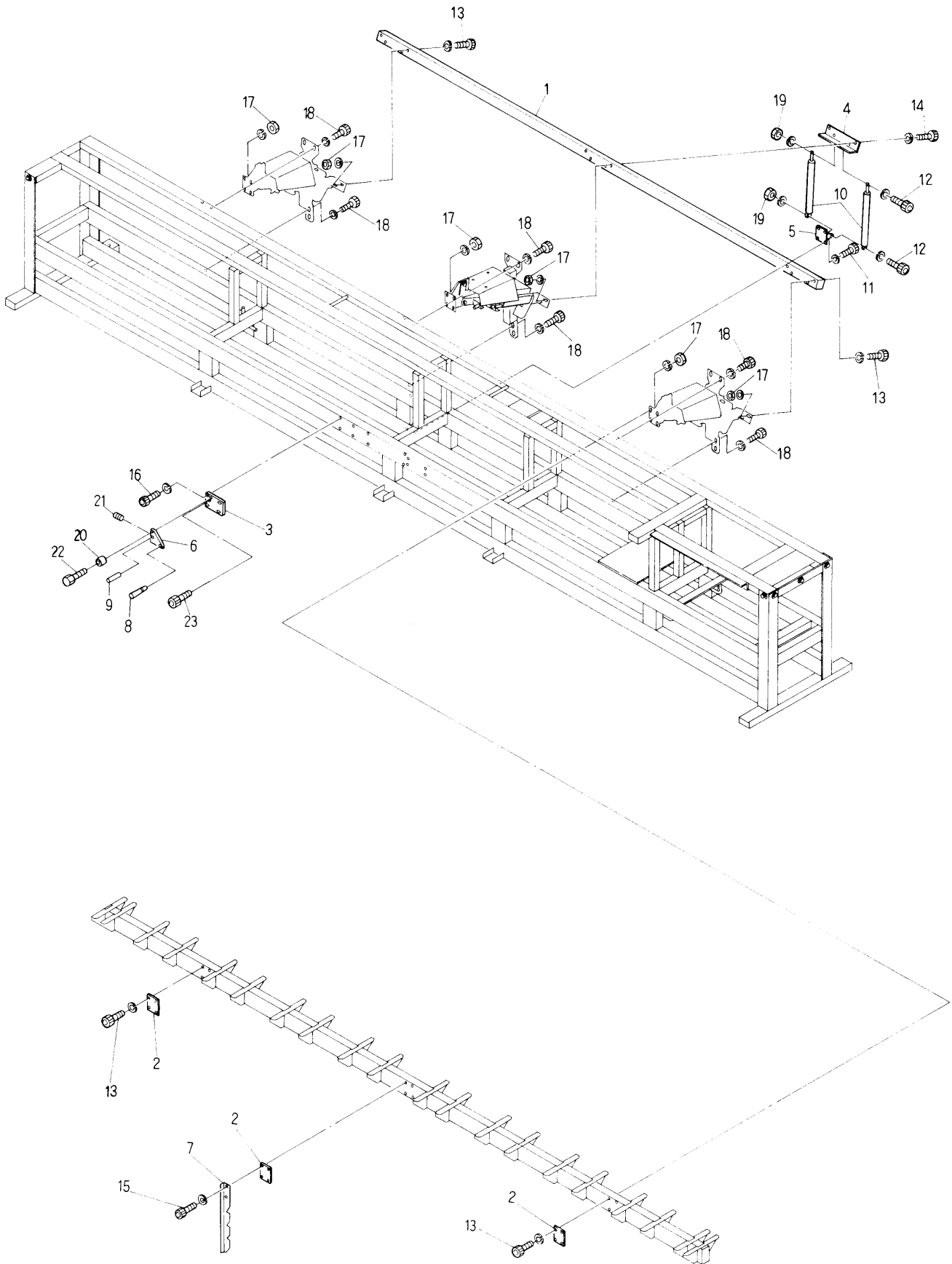
Barudan

② Table lifter mechanism I

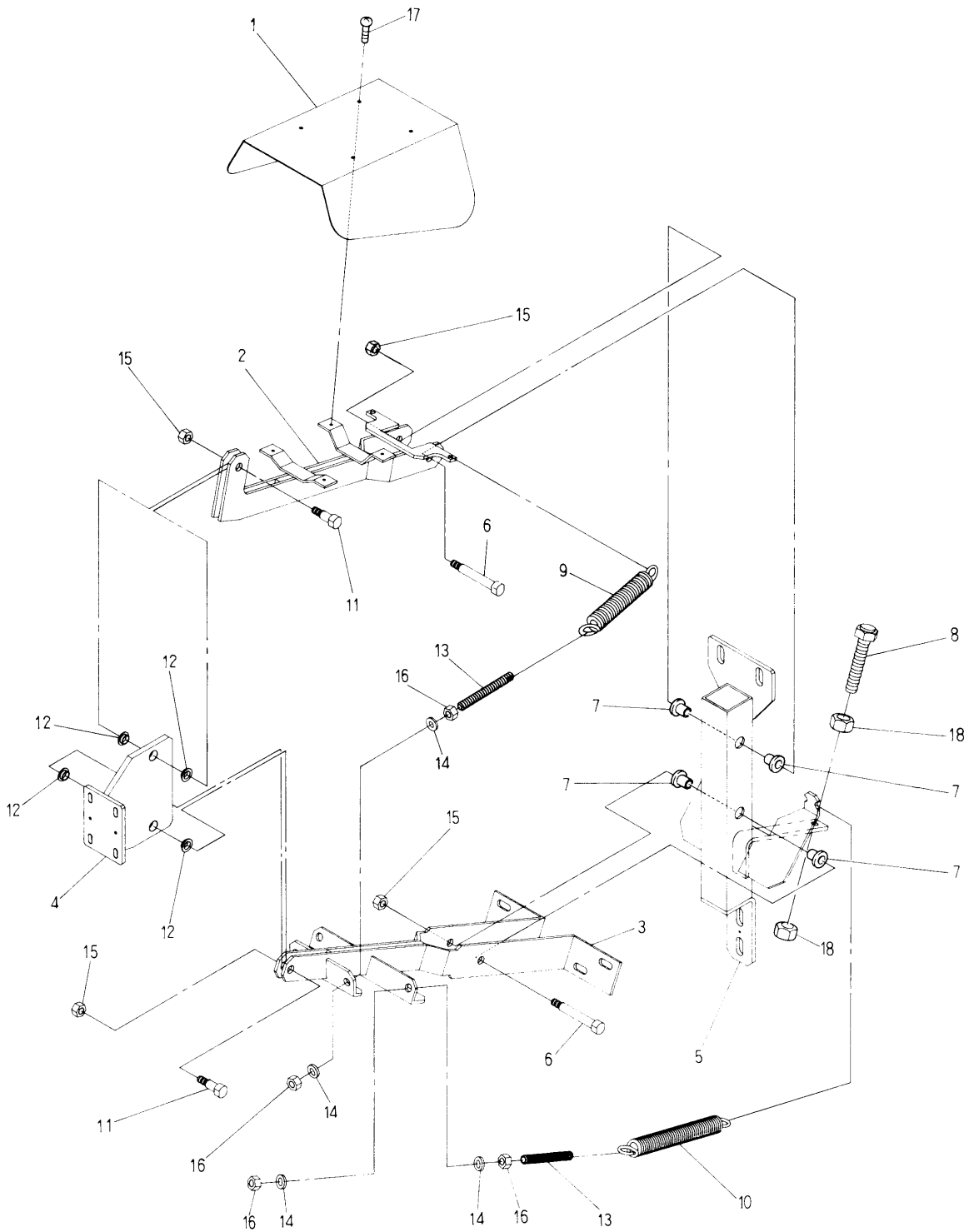
(BEATME-906 320×520/520)





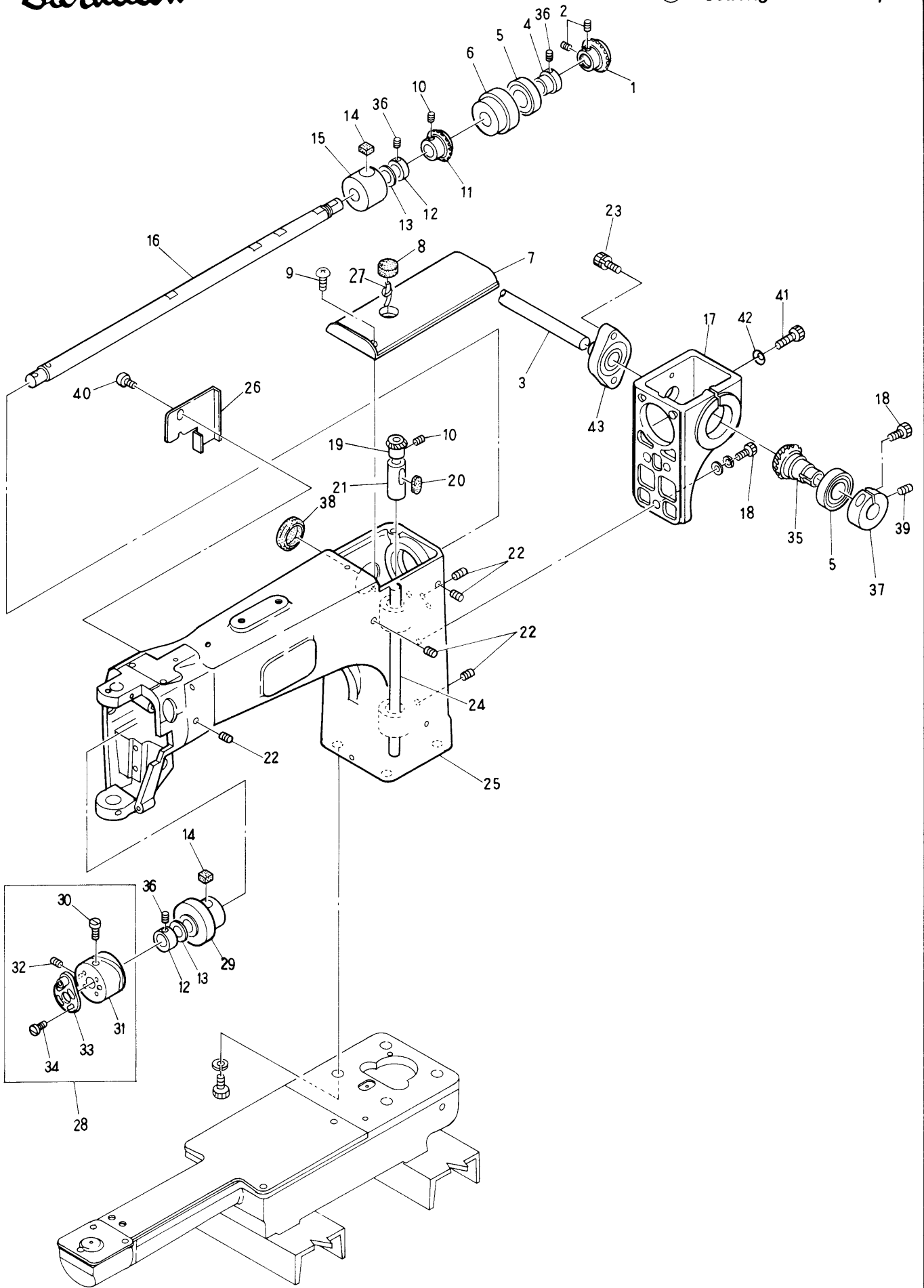








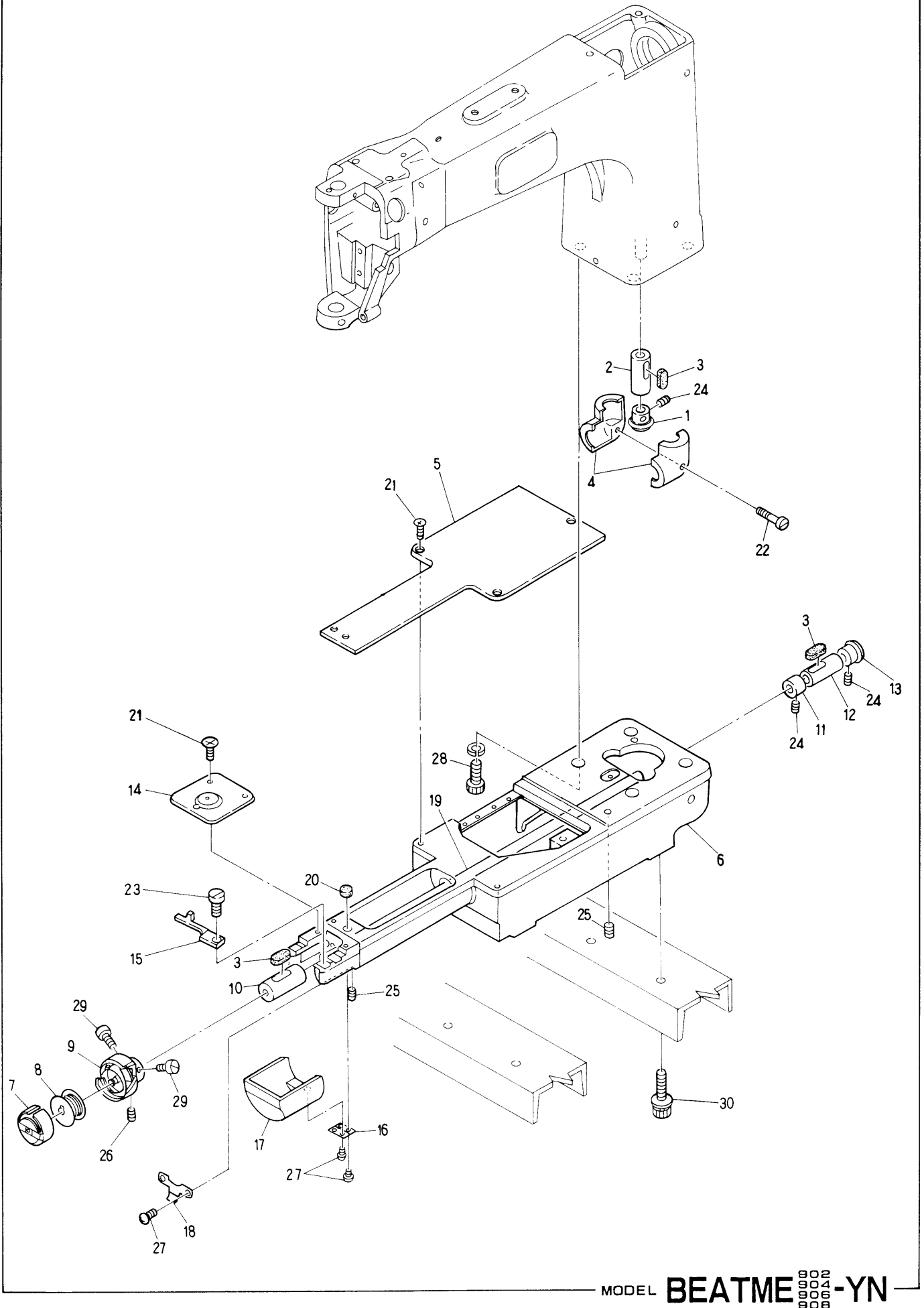




## ④ Sewing head assembly (VN-YS use)

(H=Head Q'TY)

ITEM	LIST No.	DESCRIPTION	Q'TY	REMARK
1	KL220100	Top shaft (Spiral bevel M1.5-25R)	H×1	
2		Hex. socket set screw M6×6(With adhesion)	H×2	
3		Top shaft connecting shaft φ15		
4	KL220090	Top shaft bearing collar (Rear)	H×1	
5	A9010017	Bearing (6004ZZ)	H×2	
6	KL220040	Top shaft bearing casee (Rear)	H×1	
7	KL250040	Arm top cover	H×1	
8	KL220150	Oil felt D	H×1	
9		Truss screw M4×10		
10		Screw (SM1/4 40×4)		
11	KF220130	Bevel gear (Top shaft)	H×1	
12	KL220080	Top shaft collar	H×2	
13	HP231390	Thrust washer (Top shaft gear)	H×2	
14	KL220130	Oil felt B	H×2	
15	KL220030	Top shaft metal (Middle)	H×1	
16	KL220000	Top shaft	H×1	
17	KL210140	Arm gear case	H×1	
18		Hex. socket bolt M6×25		
19	KF220460	Bevel gear (Vertical shaft upper)	H×1	
20	KL220140	Oil felt C	H×1	
21	KL220050	Vertical metal (Upper)	H×1	
22		Hex. socket set screw M6×8		
23		Hex. socket bolt M6×30 (With spring washer)		
24	KL220010	Vertical shaft	H×1	
25	KB210160	Arm	H×1-L	
	KR210030	Arm (BEAT900)	1	For color change
26	KL250051	Arm side cable cover	H×1	
27	KC251330	Oil core L=75	H×1	
28	KB230010	Take up lever cam K6 90° with crank	H×1	
29	KL220020	Top shaft metal (Front)	H×1	
30	KF230420	Take up lever cam set screw	H×1	
31	KB230030	Take up lever cam K9	H×1	
32		Screw (SM15/64 28×10) (With adhesion)	H×1	
33	KB230050	90° Crank	H×1	
34	A9012007	Screw (SM11/64 40×10)	H×1	
35	KL320000	Connecting gear (Spiral bevel M1.5-25L)	H×1	
36		Hex. socket set screw M6×6		
37	KL320020	Connecting gear clamp φ19	H×1	
38	A9014063	Grommet C-30-SG-36A	H×1	
39		Hex. socket set screw M6×10		
40		Truss screw M4×8		
41		Hex. socket bolt M6×60		
42		Disc spring M6		
43	HP321110	Top shaft connecting unit	H×1	



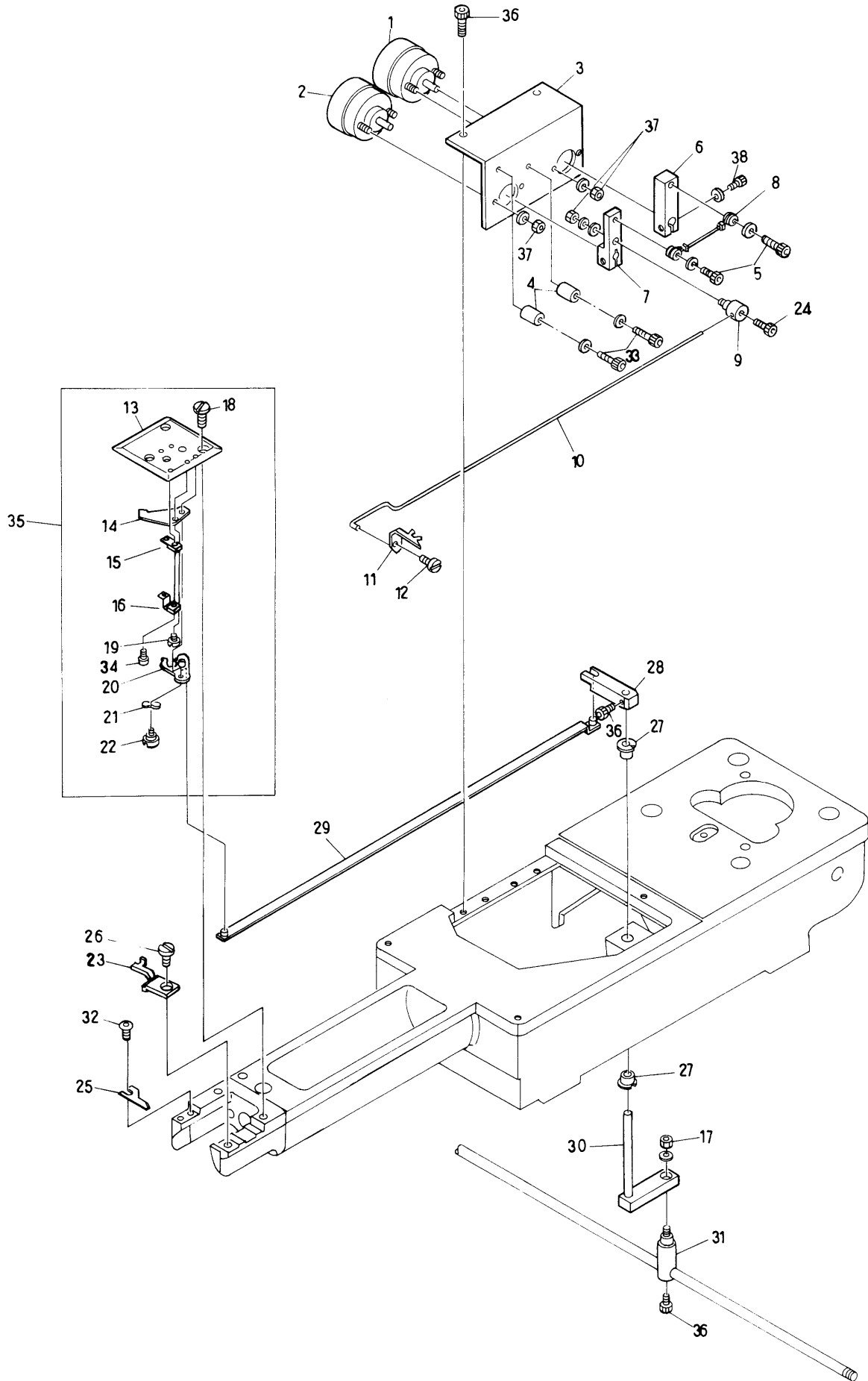
⑤ Bed a' ssy (N·YS use)

(H=Head Q'TY)

ITEM	LIST No	DESCRIPTION	Q'TY	REMARK
1	KF 2 2 0 4 7 0	Bevel gear (Vertical shaft lower)	H × 1	
2	KL 2 2 0 0 6 0	Vertical shaft metal (Lower)	H × 1	
3	KL 2 2 0 1 4 0	Oil felt C	H × 3	
4	KF 2 2 0 2 7 1	Gear cover set	H × 1	
5	KL 2 5 0 0 7 0	Cylinder bed cover	H × 1	
6	KL 2 1 0 1 1 3	Bed (SRE-T)	H × 1	
7	KF 2 2 0 4 4 0	Bobbin case (SC-35-NS)	H × 1	
8	KF 2 2 0 4 1 0	Bobbin	H × 1	
9	KF 2 2 0 7 5 0	Rotating hook complete	H × 1	
10	KF 2 2 0 2 3 0	Bottom shaft metal (Front)	H × 1	
11	KF 2 2 0 2 9 0	Bottom shaft collar	H × 1	
12	KL 2 2 0 0 7 0	Bottom shaft metal (Rear)	H × 1	
13	KF 2 2 0 4 8 0	Bevel gear (Bottom shaft)	H × 1	
14	MA 2 5 0 1 3 1	Needle plate	H × 1	
15	KC 2 2 0 6 5 0	Rotating hook case holder	H × 1	
16	A 9 0 1 2 0 2 7	Butterfly plate (TH-TM-72)	H × 1	
17	KC 2 5 0 4 7 1	Barrel bed cover	H × 1	
18	KC 2 5 0 4 8 2	Barrel bed cover push spring	H × 1	
19	KC 2 2 0 2 1 0	Bottom shaft	H × 1	
20	KL 2 2 0 1 2 0	Oil felt A	H × 1	
21	KF 2 5 0 9 0 0	Needle plate set screw (SM11/64 40×7)	H × 6	
22		Screw M5×25	H × 1	
23	A 9 0 1 2 0 0 7	Screw (SM11/64 40×10)		
24		Screw (SM 1/4 40×4)		
25		Hex. socket set screw M6×8		
26		Screw (SM11/65 40×4)		
27		Pan screw M3×6		
28		Hex. socket bolt M12×35		
29		Screw (SM11/65 40×5)		
30		Hex. socket bolt M8×22(With plain washer, spring washer)		

Barudan

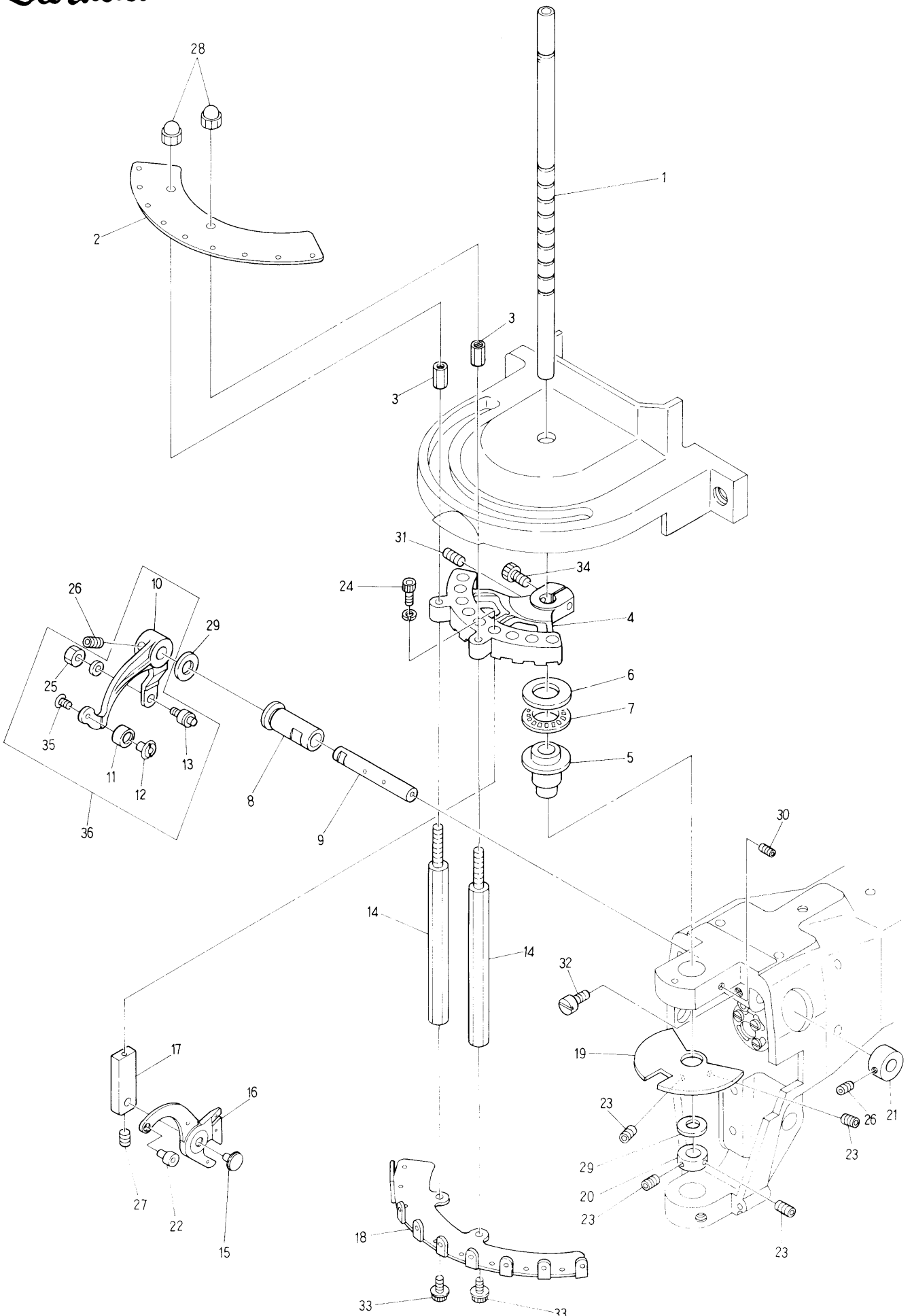
⑥ Automatic thread cutting mechanism I  
(Thread cutting section)



MODEL BEATME 802  
804  
808  
808 -YN

⑥ Automatic thread cutting mechanism I (Thread cutting section) (YN -YS use) (H=Head Q' TY)

ITEM	LIST No	DESCRIPTION	Q'TY	REMARK
1	A9056012	Rotary solenoid (3EL25 33 ×3 ×8 ×9)	H×1	
2	A9056008	Rotary solenoid (3ER25 33 ×3 ×8 ×9)	H×1	
3	KC271960	Solenoid stay	H×1	
4	KN272400	Stopper eccentric	H×2	
5		Hex. socket bolt M4×10		
6	KC271950	Solenoid lever B	H×1	
7	KC271940	Solenoid lever A	H×1	
8	KC270360	Driving rope	H×1	
9	KC271041	Connecting clamp	H×1	
10	KC271031	Hook driving rod	H×1	
11	KC271021	Hook	H×1	
12	KC271001	Needle knife turret shaft	H×1	
13	KS270020	Needle plate	H×1	
14	KN270961	Fixing knife	H×1	
15	KS270040	Lower thread support stay (Upper) CMP	H×1	
16	KS270060	Lower thread support stay (Lower) CMP	H×1	
17		Hex. nut M4		
18		Screw M3×3		
19	KC270980	Fixed knife set screw	H×1	
20	KN270952	Driving knife	H×1	
21	A9013066	Wave washer (WW5) (SK)	H×1	
22	KC270970	Lower thread knife turret shaft	H×1	
23	KC220650	Rotating hook bobbin case holder position bracket	H×1	
24		Hex. socket bolt M3×5		
25	KB270020	Upper thread knife	H×1	
26	A9012007	Screw (SM11/64 40×10)	H×1	
27	A9012114	Bush with flange DU (MB0505-10FDU)	H×2	
28	KC271120	Lower thread knife driving lever (Upper)	H×1	
29	KC271070	Lower thread knife driving rod	H×1	
30	KC271130	Lower thread knife driving lever (Lower)	H×1	
31	KF230640	Lock connecting bar clamp	H×1	
32		Hex. socket button bolt M3×6		
33		Hex. socket bolt M4×18		
34		Truss screw M3×3		
35	KL270390	Needle plate a'ssy	H×1	
36		Hex. socket bolt M4×8		
37		Hex. nut M3		
38		Hex. socket bolt		

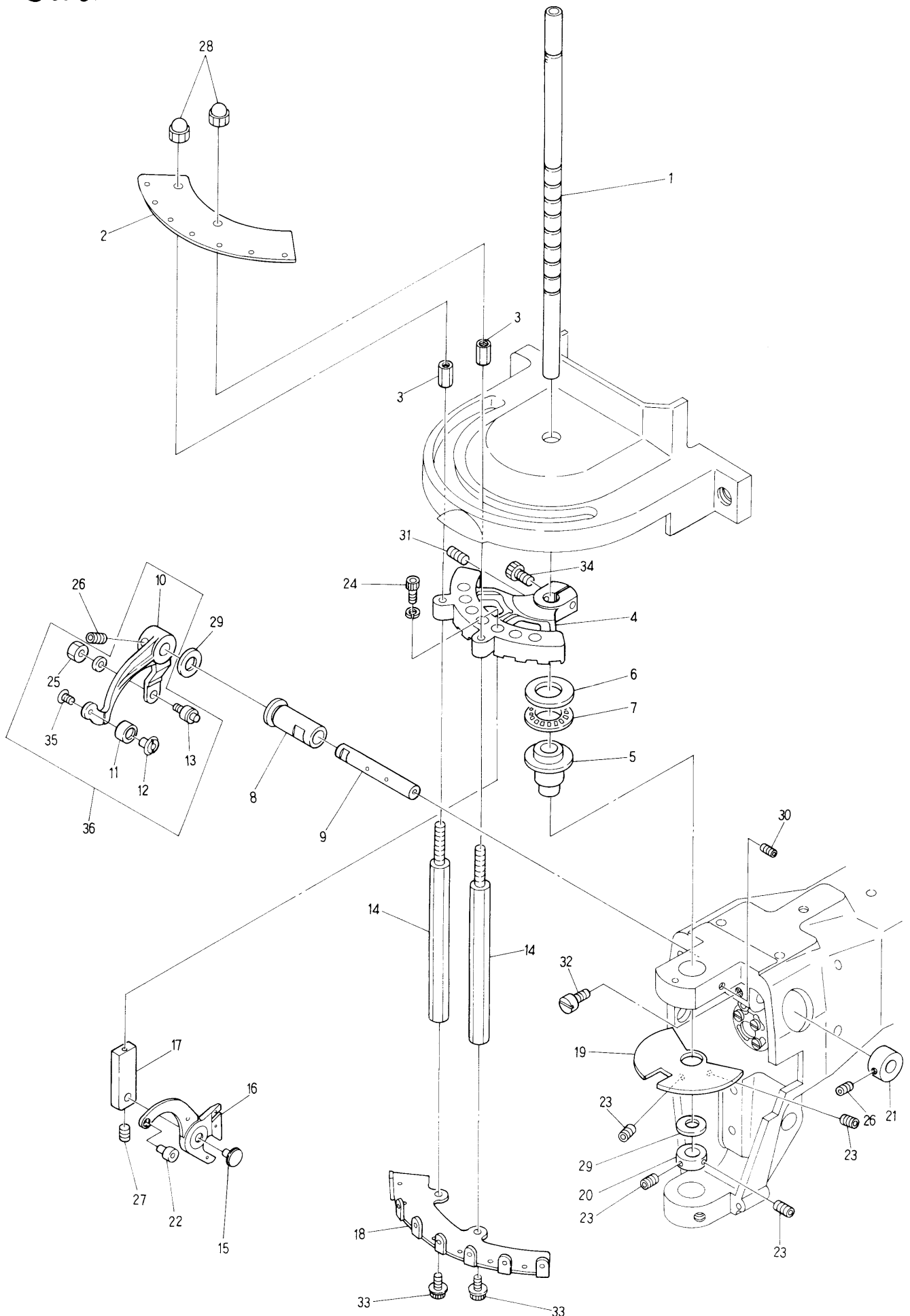




## ⑦ Take up lever mechanism (YN use)

(H=Head Q' TY)

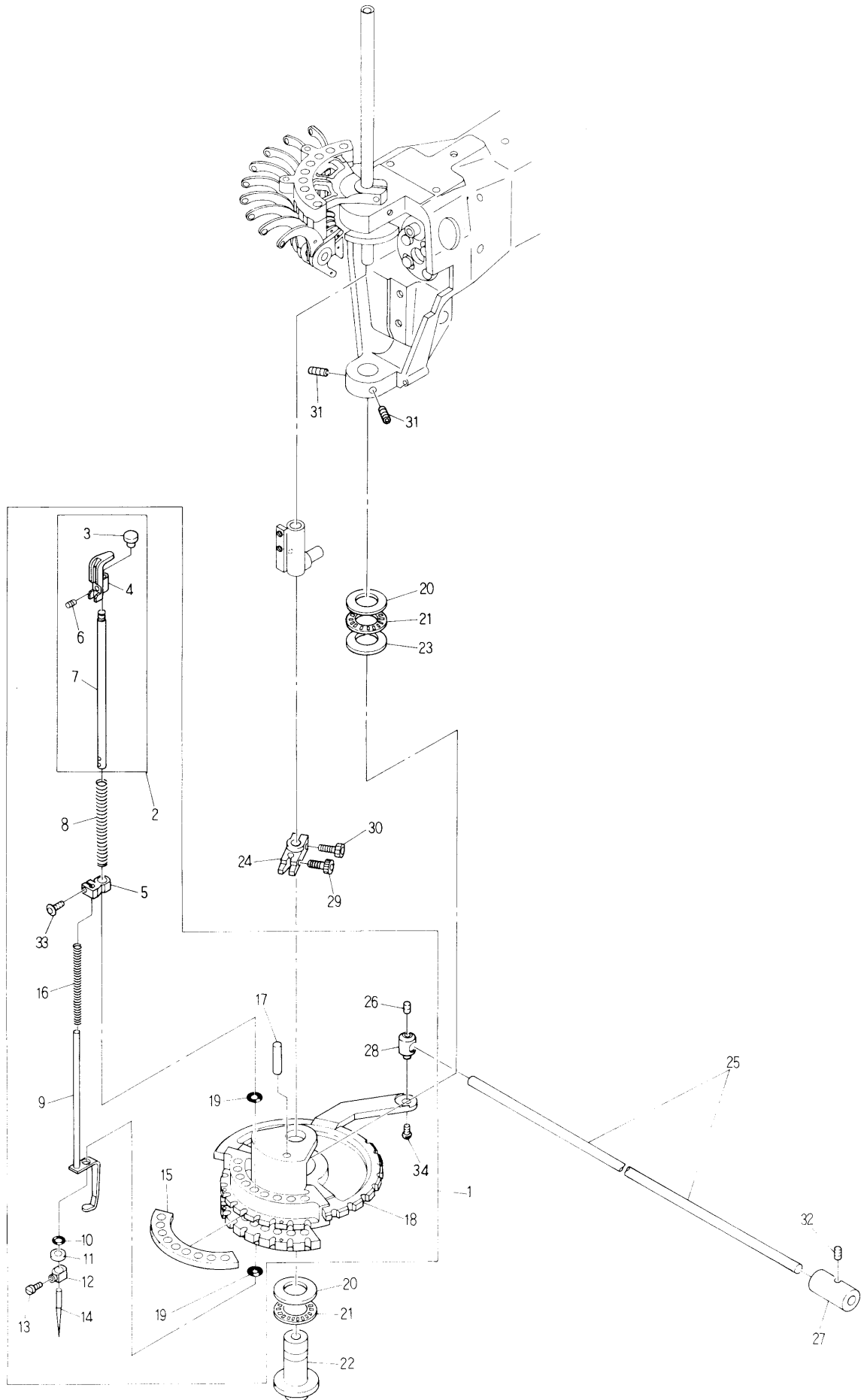
ITEM	LIST No.	DESCRIPTION	Q'TY	REMARK
1	KB230161	Driving shaft	H×1	
2	HT240000	Thread guide plate	H×1	
3	KB240021	Thread guide fixing collar	H×2	
4	KT230291	Take up fixing bracket	H×1	
5	KB230090	Driving shaft upper metal	H×1	
6	A9011152	Thrust needle bearing innerring (WS1528)	H×1	
7	A9011021	Thrust bearing NTB-1528	H×1	
8	KB230100	Take up lever driving shaft metal	H×1	
9	KB230110	Take up lever driving shaft	H×1	
10	KT230031	Take up lever driving lever	H×1	
11	HT230090	Take up lever driving roller	H×1	
12	HT230100	Take up lever driving roller shaft	H×1	
13	KF230500	Take up lever roller a'ssy	H×1	
14	KB240010	Thread guide fixing rod	H×2	
15	HT230080	Take up lever shaft	H×9	
16	KT230040	Take up lever a'ssy	H×9	
17	KT230010	Take up lever base	H×9	
18	HT240010	Thread hanger	H×1	
19	KT230000	Take up lever sttocker	H×1	
20	HB230160	Driving shaft set collar	H×1	
21	HB230270	Needle bar driving lever fixing pin set collar	H×1	
22	HB230750	Take up lever thread guide	H×9	
23		Hex. socket set screw M4×4 (With adhesion)		
24		Hex. socket bolt M3×14		
25		Hex. nut SM7/32		
26		Hex. socket set screw M5×6 (With adhesion)		
27		Hex. socket set screw M3×4 (With adhesion)		
28		Cap nut M4		
29	A9012164	Thrust washer (R-TW0851)	H×2	
30		Hex. socket set screw M6×6		
31		Hex. socket set screw M4×5 (C,P)		
32		Screw (SM11/64×11)		
33		Hex. socket bolt M4×6 (With adhesion)		
34		Hex. socket bolt M4×15		
35	HB230650	Flush screw (With adhesion)	H×1	
36	KT230051	Take up lever drive lever a'ssy	H×1	



## ⑦ Take up lever mechanism (YS use)

(H=Head Q' TY)

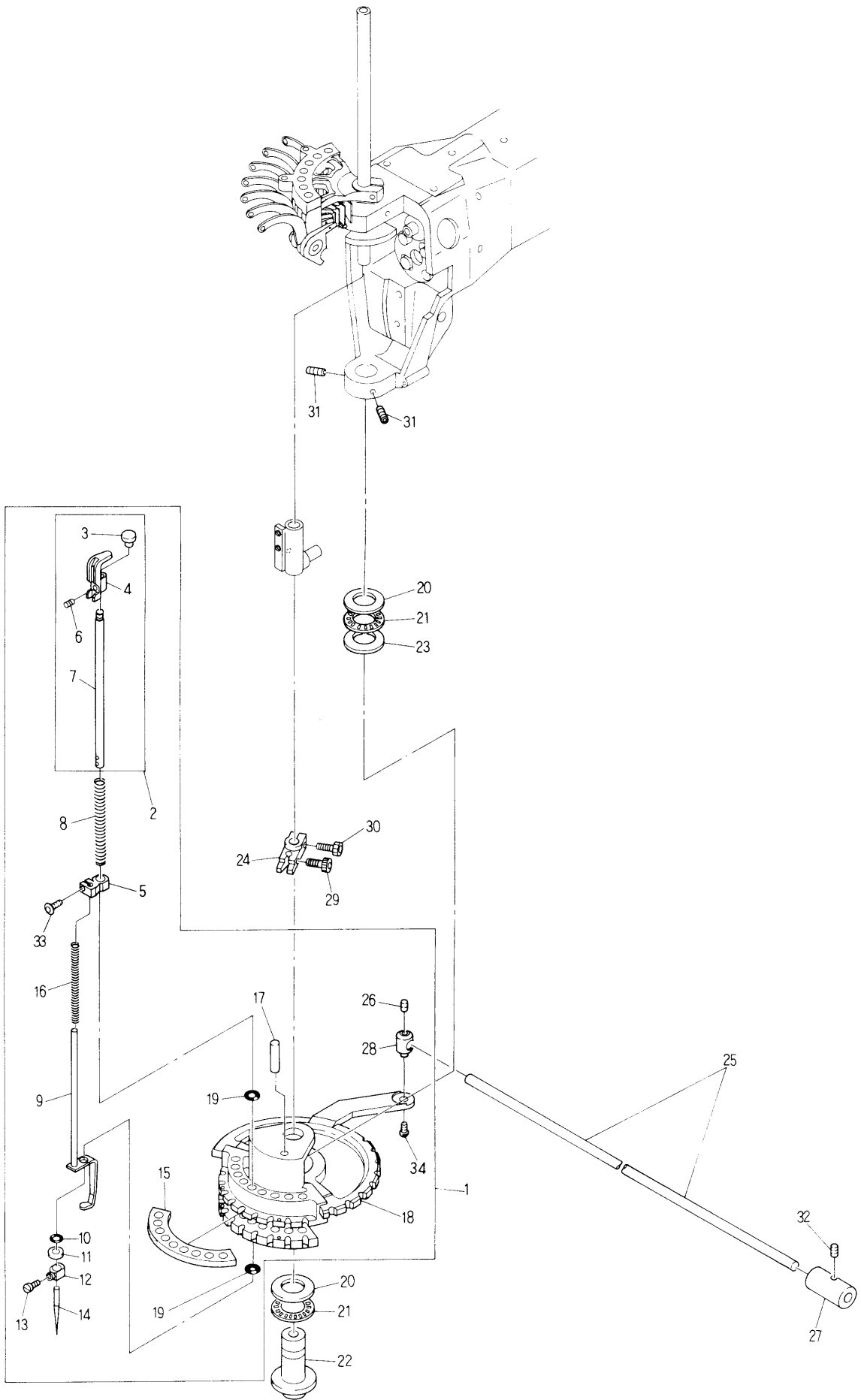
ITEM	LIST No.	DESCRIPTION	Q' TY	REMARK
1	KB230161	Driving shaft	H×1	
2	HT240500	Thread guide plate (YS-2)	H×1	
3	KB240021	Thread guide fixing collar	H×2	
4	KT230020	Take up fixing bracket	H×1	
5	KB230090	Driving shaft upper metal	H×1	
6	A9011152	Thrust needle bearing innerring (WS1528)	H×1	
7	A9011021	Thrust bearing NTB-1528	H×1	
8	KB230100	Take up lever driving shaft metal	H×1	
9	KB230110	Take up lever driving shaft	H×1	
10	KT230030	Take up lever driving lever	H×1	
11	HT230090	Take up lever driving roller	H×1	
12	HT230100	Take up lever driving roller shaft	H×1	
13	KF230500	Take up lever roller a'ssy	H×1	
14	KB240010	Thread guide fixing rod	H×2	
15	HT230080	Take up lever shaft	H×7	
16	KT230040	Take up lever a'ssy	H×7	
17	KT230010	Take up lever base	H×7	
18	HT240510	Thread hanger (YS-2)	H×1	
19	KT230000	Take up lever stocker	H×1	
20	HB230160	Driving shaft set collar	H×1	
21	HB230270	Needle bar driving lever fixing pin set collar	H×1	
22	HB230750	Take up lever thread guide	H×7	
23		Hex. socket set screw M4×4 (With adhesion)		
24		Hex. socket bolt M3×14		
25		Hex. nut SM7/32		
26		Hex. socket set screw M5×6 (With adhesion)		
27		Hex. socket set screw M3×4 (With adhesion)		
28		Cap nut M4		
29	A9012164	Thrust washer (R-TW0851)	H×2	
30		Hex. socket set screw M6×6		
31		Hex. socket set screw M4×5 (C,P)		
32		Screw (SM11/64×11)		
33		Hex. socket bolt M4×6 (With adhesion)		
34		Hex. socket bolt M4×15		
35	HB230650	Flush screw (With adhesion)	H×1	
36	KT230050	Take up lever drive lever a'ssy	H×1	



⑧ Needle bar mechanism I (YN use)

(H=Head Q'TY)

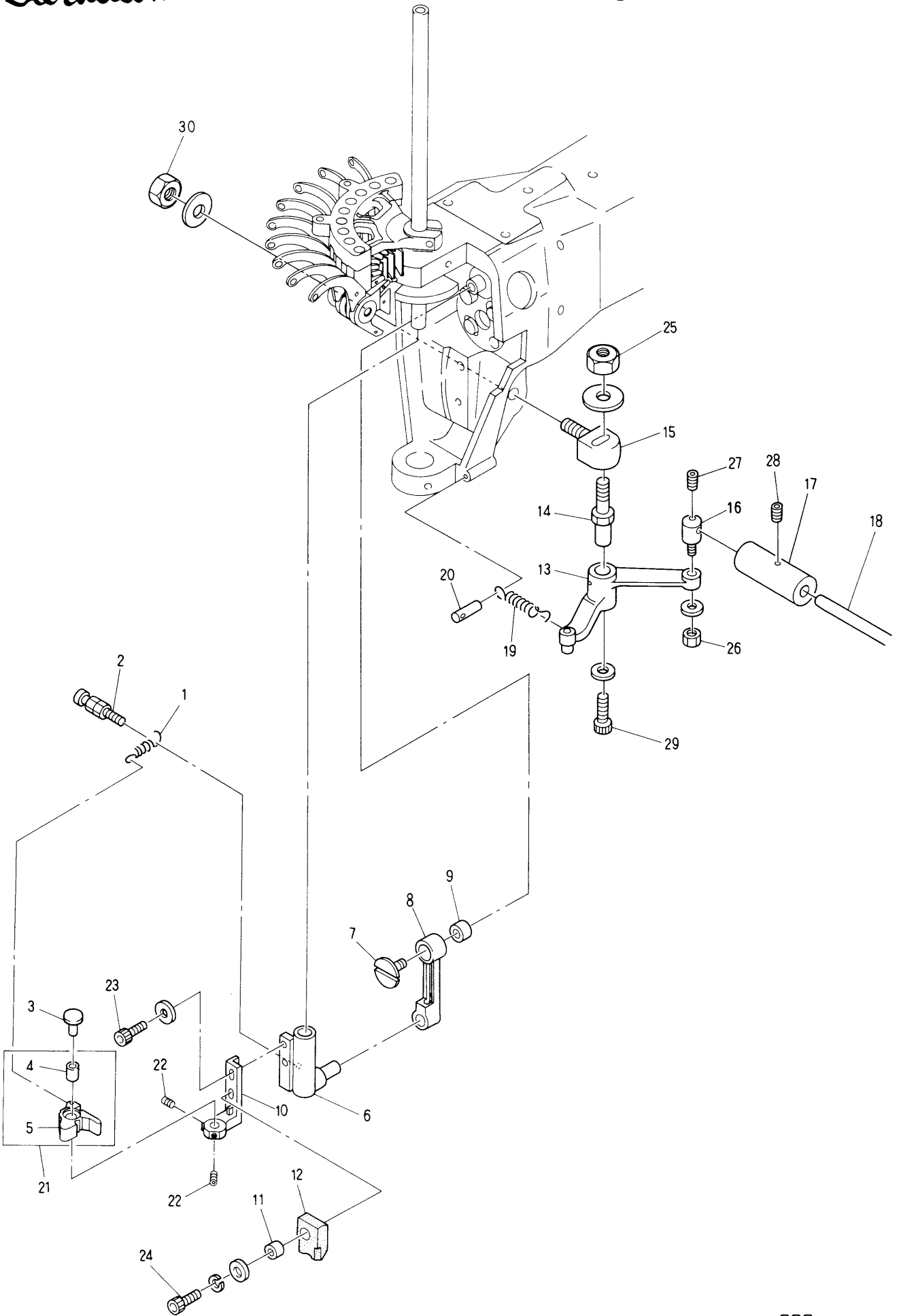
ITEM	LIST No.	DESCRIPTION	Q'TY	REMARK
1	HT230800	Turret plate a'ssy	H×1	
2	HT230190	Needle bar a'ssy	H×9	
3	HT230130	Needle bar cap	H×9	
4	HT230151	Needle bar guide	H×9	
5	HT230051	Cloth winder stop latch set clamp	H×9	
6		Hex. socket set screw M4×4		
7	HT230041	Needle bar	H×9	
8	HT230251	Needle bar spring (Upper)	H×9	
9	HT230141	Pressure foot	H×9	
10	KF230910	O-Ring (L)	H×9	
11	KF230930	Spacer	H×9	
12	KF230230	Needle clamp	H×9	
13	KF230240	Needle clamp screw (SM9/64 40)	H×9	
14	KF230250	Needle (DBK5-11)	H×9	
15	HT230110	Turret plate oil pad	H×1	
16	HT230062	Needle bar spring (Lower)	H×9	
17	A9012291	Parallel pin φ5×14L	H×1	
18	KR330280	Turret plate	H×1	
19	A9014055	O-Ring (S)	H×18	
20	A9011023	Thrust bearing outer (GS1528)	H×2	
21	A9011021	Thrust bearing (NTB-1528)	H×2	
22	HB230140	Driver shaft under metal	H×1	
23	A9011022	Thrust washer	H×1	
24	HB230170	Driver shaft set plate	H×1	
25	KC330410	Lock connecting rod (L=2000)	(4)	
26		Hex. socket set screw M4×4		
27	KF330381	Lock bar hand grip	(2)	
28	HT230180	Turret plate joint pin	H×1	
29		Hex. socket bolt M3×12 (With adhesion)		
30		Hex. socket bolt M4×12		
31	A9012053	Hex. socket set screw M6×0.75×8	H×2	
32		Hex. socket set screw M5×5		
33		Hex. socket button bolt M3×8		
34		Hex. socket button bolt M4×5		



## ⑧ Needle bar mechanism I (Ys use)

(H=Head Q'TY)

ITEM	LIST No.	DESCRIPTION	Q'TY	REMARK
1	HT 2 3 0 8 0 0	Turret plate a'ssy	H × 1	
2	HT 2 3 0 1 9 0	Needle bar a'ssy	H × 7	
3	HT 2 3 0 1 3 0	Needle bar cap	H × 7	
4	HT 2 3 0 1 5 1	Needle bar guide	H × 7	
5	HT 2 3 0 0 5 1	Cloth winder stop latch set clamp	H × 7	
6		Hex. socket set screw          M 4 × 4		
7	HT 2 3 0 0 4 1	Needle bar	H × 7	
8	HT 2 3 0 2 5 1	Needle bar spring (Upper)	H × 7	
9	HT 2 3 0 1 4 1	Pressure foot	H × 7	
1 0	KF 2 3 0 9 1 0	O-Ring (L)	H × 7	
1 1	KF 2 3 0 9 3 0	Spacer	H × 7	
1 2	KF 2 3 0 2 3 0	Needle clamp	H × 7	
1 3	KF 2 3 0 2 4 0	Needle clamp screw (SM9/64 40)	H × 7	
1 4	KF 2 3 0 2 5 0	Needle (DBK 5-11)	H × 7	
1 5	HT 2 3 0 1 1 0	Turret plate oil pad	H × 1	
1 6	HT 2 3 0 0 6 2	Needle bar spring (Lower)	H × 7	
1 7	A 9 0 1 2 2 9 1	Parallel pin $\phi 5 \times 1.4 L$	H × 1	
1 8	KR 3 3 0 2 8 0	Turret plate	H × 1	
1 9	A 9 0 1 4 0 5 5	O-Ring (S)	H × 14	
2 0	A 9 0 1 1 0 2 3	Thrust bearing outer (GS 1 5 2 8)	H × 2	
2 1	A 9 0 1 1 0 2 1	Thrust bearing (NTB-1 5 2 8)	H × 2	
2 2	HB 2 3 0 1 4 0	Driver shaft under metal	H × 1	
2 3	A 9 0 1 1 0 2 2	Thrust washer	H × 1	
2 4	HB 2 3 0 1 7 0	Driver shaft set plate	H × 1	
2 5	KC 3 3 0 4 1 0	Lock connecting rod (L=2 0 0 0)	(4)	
2 6		Hex. socket set screw          M 4 × 4		
2 7	KF 3 3 0 3 8 1	Lock bar hand grip	(2)	
2 8	HT 2 3 0 1 8 0	Turret plate joint pin	H × 1	
2 9		Hex. socket bolt                  M 3 × 1 2 (With adhesion)		
3 0		Hex. socket bolt                  M 4 × 1 2		
3 1	A 9 0 1 2 0 5 3	Hex. socket set screw          M 6 × 0. 7 5 × 8	H × 2	
3 2		Hex. socket set screw          M 5 × 5		
3 3		Hex. socket button bolt         M 3 × 8		
3 4		Hex. socket button bolt         M 4 × 5		

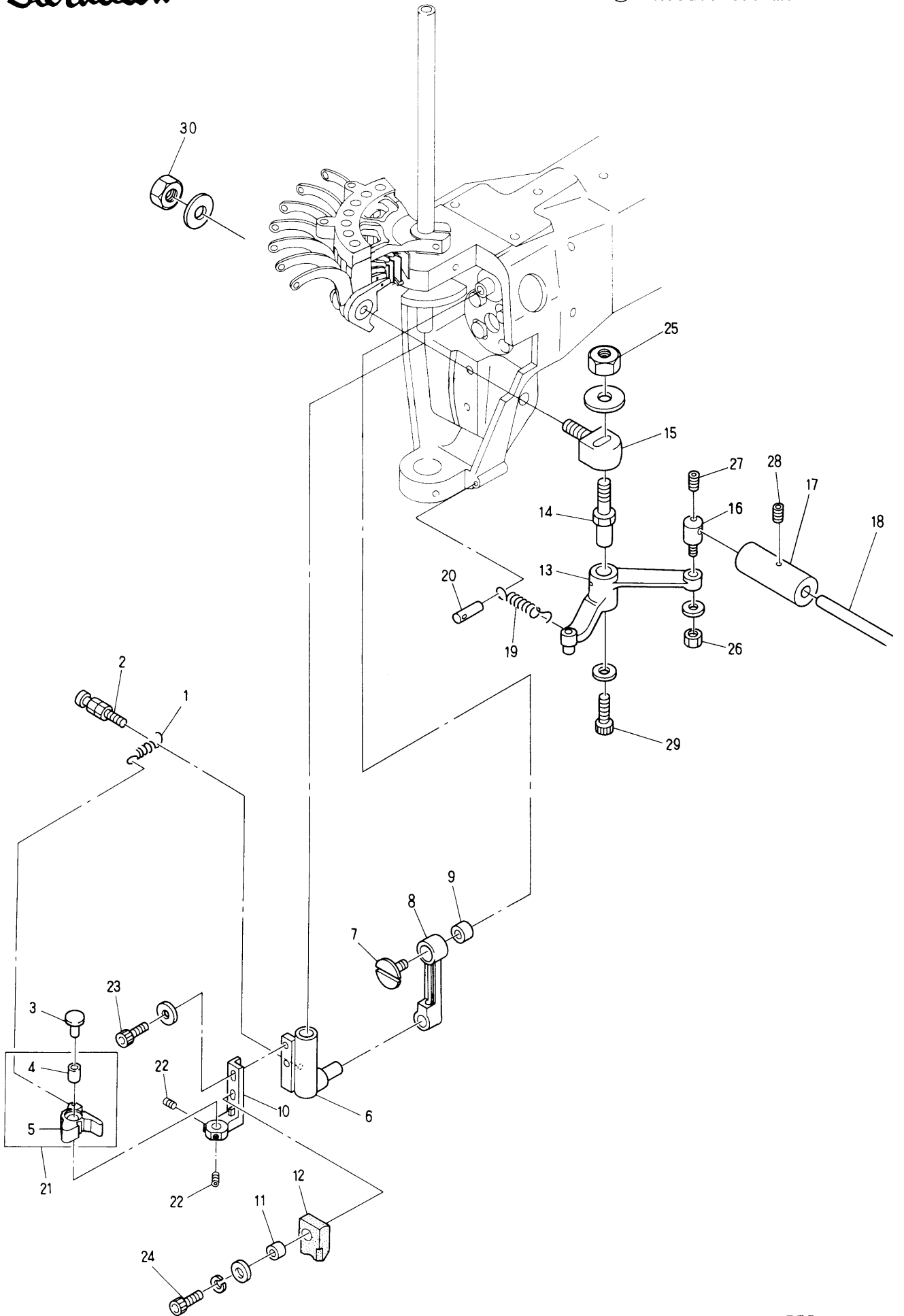




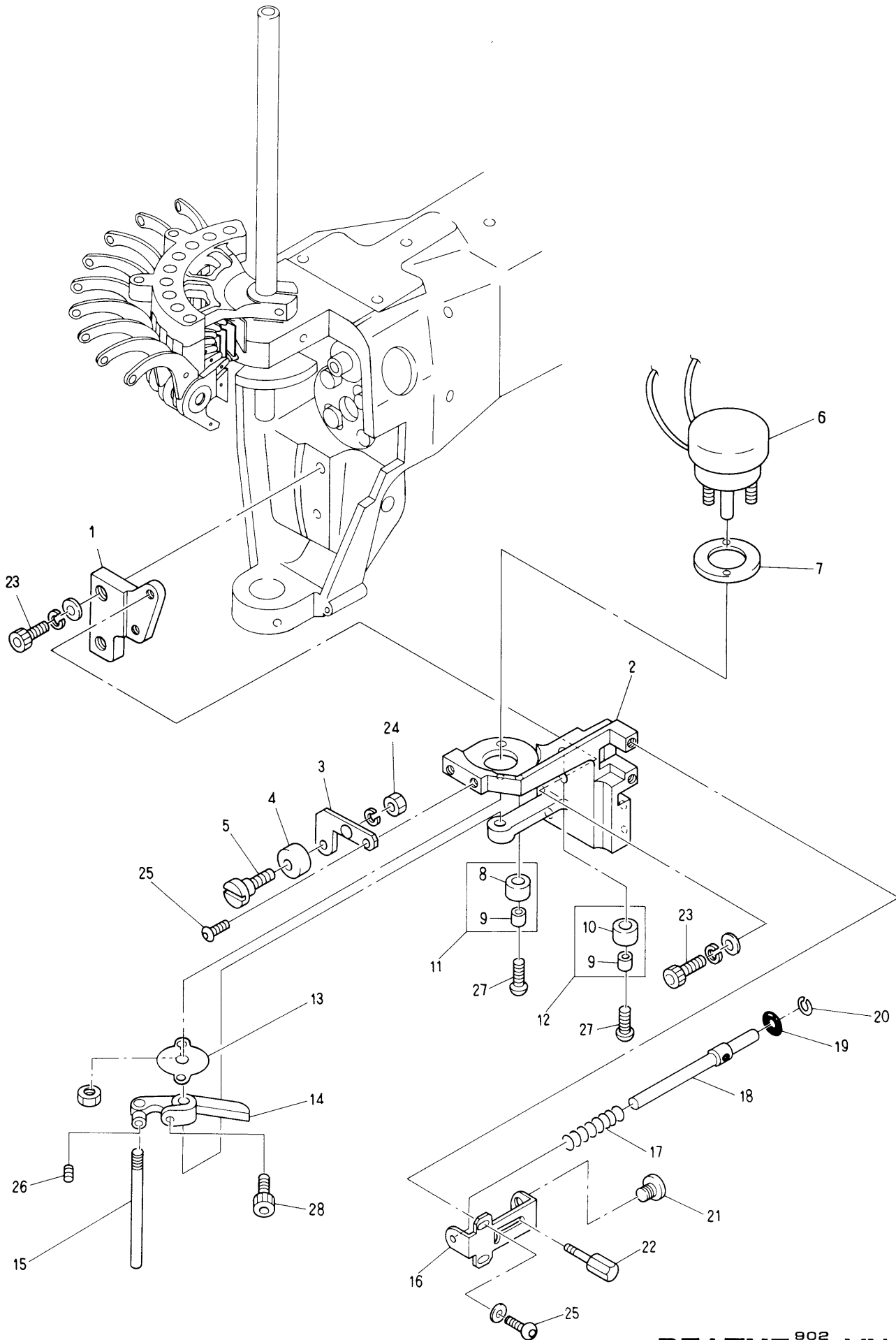
## ⑨ Needle bar mechanism II (YN use)

(H=Head Q'TY)

ITEM	LIST No.	DESCRIPTION	Q'TY	REMARK
1	HB230401	Needle bar driver return spring	H×1	
2	HB230590	Set screw for return spring	H×1	
3	HB230390	Needle bar driver fixing	H×1	
4	A9012190	DU-Bush (MB0606DU)	H×1	
5	HB230383	Needle bar driver	H×1	
6	KB230080	Needle bar driver guide block	H×1	
7	KB230070	90° Crank left-handed screw	H×1	
8	KB230060	Crank rod	H×1	
9	A9011115	Needle bearing (K9×12×10T2)	H×1	
10	HB230372	Needle bar driver fixing base	H×1	
11	HB230420	Needle bar driver stopper set collar	H×1	
12	HB230414	Needle bar driver stopper	H×1	
13	KL230280	Lock lever (With roller)	H×1	
14	KF230630	Lock lever shaft	H×1	
15	KF230650	Lock lever bracket	H×1	
16	KF230640	Lock connecting bar clamp	H×1	
17	KF330381	Lock bar hand grip	2	
18	KC330410	Lock connecting rod (L=2000)		
19	KF230661	Lock lever spring	H×1	
20	KF230670	Lock lever spring pin	H×1	
21	HT230201	Needle bar driver (a'ssy)	H×1	
22		Hex. socket set screw M4×4 (With adhesion)		
23		Hex. socket bolt M4×12		
24		Hex. socket bolt M4×15		
25		Hex. nut M8		
26		Hex. nut M4		
27		Hex. socket set screw M4×6		
28		Hex. socket set screw M4×5		
29		Hex. socket bolt M5×10		
30		Hex. nut M10		

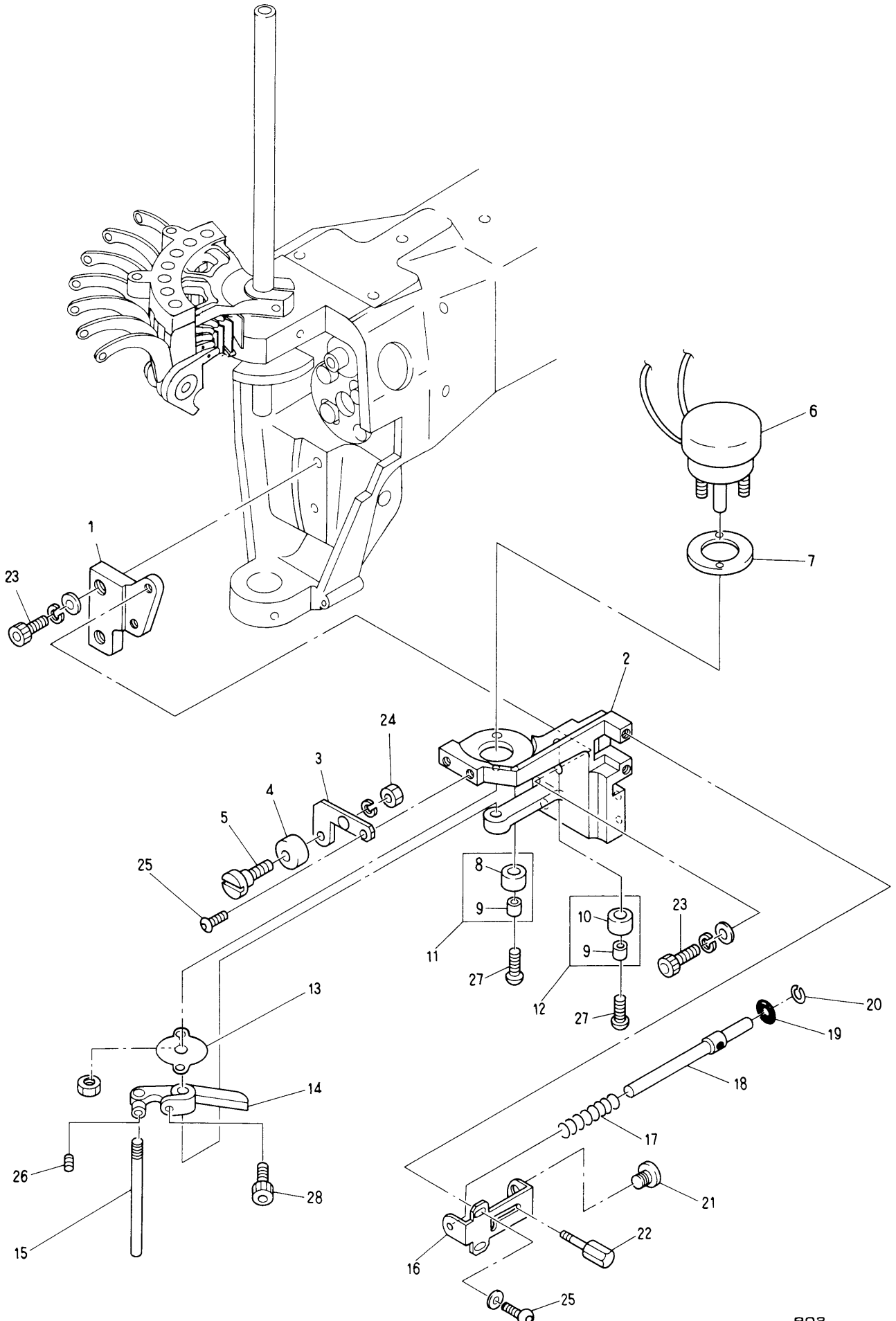






MODEL BEATME 88042-YN 88068





MODEL BEATME 

8002
8004
8008
8008

 -YS

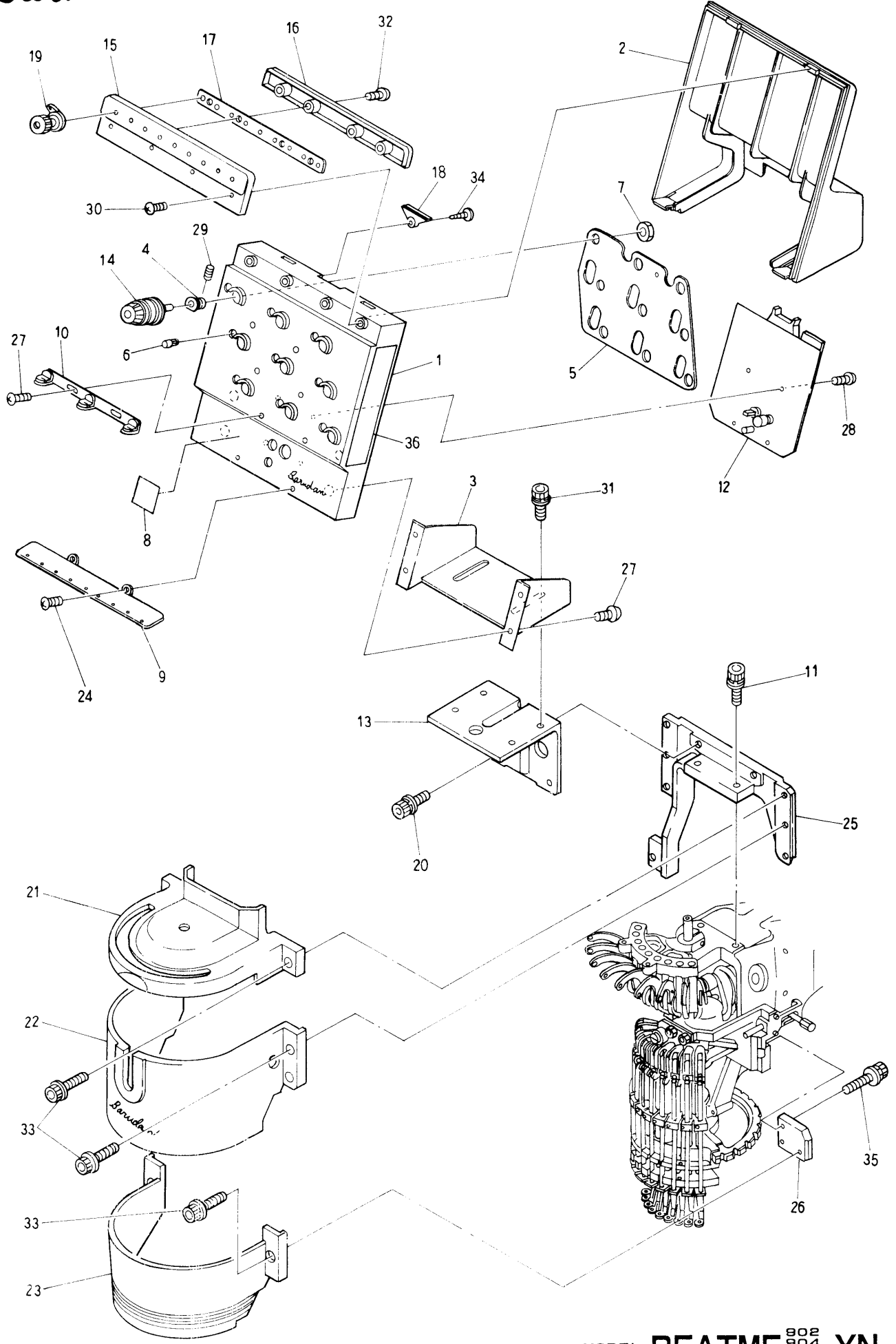
⑩ Jump mechanism (YS use)

(H=Head Q'TY)

ITEM	LIST No.	DESCRIPTION	Q'TY	REMARK
1	KB 2 1 0 1 7 0	Solenoid bracket fixing base	H×1	
2	KB 2 4 0 0 3 0	Jump solenoid fixing bracket	H×1	
3	HB 2 3 0 6 3 0	Needle bar stopper fixed bracket	H×1	
4	HT 2 3 0 2 2 0	Needle bar stopper	H×1	
5	HT 2 3 0 6 2 0	Needle bar stopper fixed pin	H×1	
6	A 9 0 5 6 0 2 0	Rotary solenoid (3ER35×3×8×9, L=45)	H×1	
7	HB 2 3 0 5 6 0	Sheet for rotary solenoid	H×1	
8	HB 2 4 0 3 1 0	Eccentric collar ( $\phi 1 2$ )	H×1	
9	HB 2 4 0 0 4 0	Stopper eccentric	H×2	
10	HB 2 4 0 0 5 0	Eccentric collar ( $\phi 1 1$ )	H×1	
11	HB 2 4 0 3 4 0	Stopper eccentric a'ssy ( $\phi 1 2$ )	H×1	
12	HB 2 4 0 3 3 0	Stopper eccentric a'ssy ( $\phi 1 1$ )	H×1	
13	HB 2 3 0 5 8 0	Solenoid prevention noise cover	H×1	
14	HB 2 4 0 0 2 0	Jump solenoid lever	H×1	
15	HB 2 4 0 0 3 0	Jump solenoid lever pin	H×1	
16	KB 2 4 0 0 4 0	Cancel bracket	H×1	
17	HB 2 4 0 1 1 0	Cancel return spring	H×1	
18	HB 2 4 0 0 7 0	Cancel rod	H×1	
19	A 9 0 1 4 0 5 1	O-Ring P-5	H×1	
20	A 9 0 1 2 0 5 1	E-Ring ( $\phi 6$ )	H×1	
21	HB 2 4 0 0 9 0	Cancel rod guide	H×1	
22	HB 2 4 0 0 8 0	Manual cancel pin	H×1	
23		Hex. socket bolt M 4 × 1 2		
24		Hex. nut M 4		
25		Hex. socket button bolt M 4 × 1 0		
26		Hex. socket set screw M 4 × 4 (With adhesion)	H×1	
27		Hex. socket button bolt M 4 × 1 2 (With adhesion)	H×2	
28		Hex. socket bolt M 4 × 8		

Barudan

⑪ Thread guide mechanism



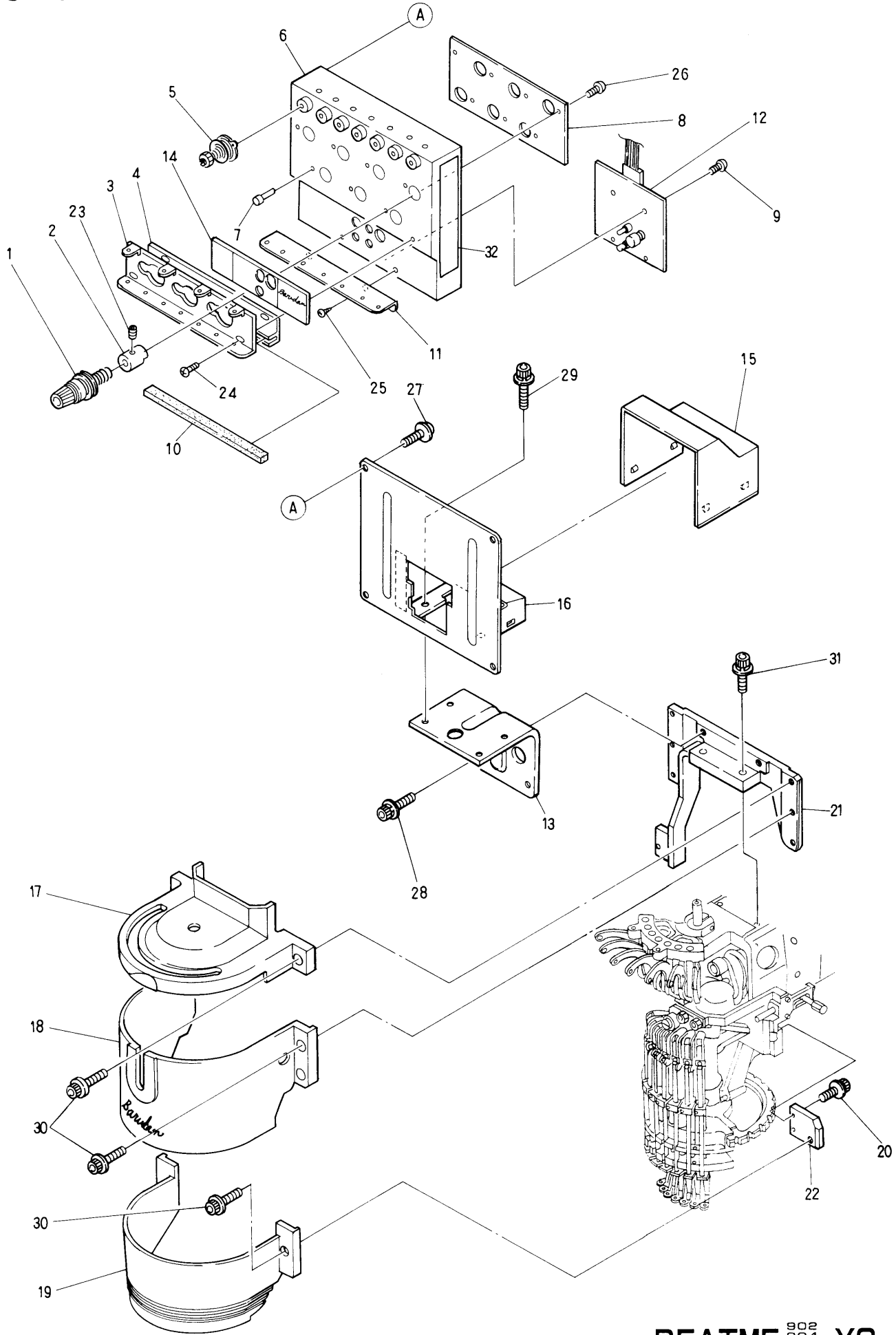
MODEL BEATME 802  
804  
808  
808 -YN



## ⑪ Thread guide mechanism (YN use)

(H=Head Q'TY)

ITEM	LIST No	DESCRIPTION	Q'TY	REMARK
1	HT 2 4 0 1 2 0	Tension base case	H×1	
2	HT 2 4 0 1 3 0	Tension base cover	H×1	
3	HT 2 4 0 1 4 0	Tension base	H×1	
4	HT 2 4 0 1 5 0	Base	H×9	
5	HT 2 4 0 1 6 0	Tension earth plate	H×1	
6	HT 2 4 0 1 7 0	Upper thread detection pin	H×9	
7	HT 2 4 0 1 8 0	SM-Nut	H×9	
8		No. Label	H×1	
9	HT 2 4 0 0 2 0	Second thread guide plate	H×1	
10	HT 2 4 0 0 6 0	First thread guide	H×3	
11		Hex. socket bolt M5×20 (With plain washer, Spring washer)		
12	EBN 0 2 1 8 4	Head board a'ssy 2001-097(YN)	H×1	
13	KB 2 4 0 0 5 1	Tension base bracket (Maruchi (MS))	H×1	
14	HT 2 4 0 3 2 0	Dial type tension unit complete (YN)	H×9	
15	HT 2 4 0 2 1 0	Upper thread guid fixing case	H×1	
16	HT 2 4 0 2 2 0	Upper thread guid fixing cover	H×1	
17	HT 2 4 0 2 3 0	Upper thread guid fixing base	H×1	
18	HT 2 4 0 2 4 0	Blind cap	H×1	
19	HT 2 4 0 3 3 0	Thread guide for upper tension	H×9	
20		Hex. socket bolt M5×15 (With plain washer, Spring washer)		
21	KB 2 5 0 0 2 0	Sewing head cover (A)	H×1	
22	KB 2 5 0 0 3 0	Sewing head cover (B)	H×1	
23	KB 2 5 0 0 4 0	Sewing head cover (C)	H×1	
24		Tapping truss screw M 4 × 1 0		
25	KB 2 5 0 0 5 0	Sewing head cover fixing bracket	H×1	
26	KB 2 5 0 0 6 0	Sewing head cover fixing stay	H×1	
27		Truss screw M 4 × 1 0		
28		Pan head tapping screw M 3 × 8		
29		Hex. socket set screw M 4 × 1 2		
30		Pan screw M 3 × 6		
31		Hex. socket bolt with washer M 5 × 1 0		
32		Tapping screw II M 3 × 1 2		
33		Hex. socket bolt M4×6 (With plain washer, Spring washer)		
34		Tapping screw M 3 × 1 2		
35		Hex. socket bolt M4×15 (With plain washer, Spring washer)		
36	HB 7 9 0 0 3 0	Tension base caution label	H×2	

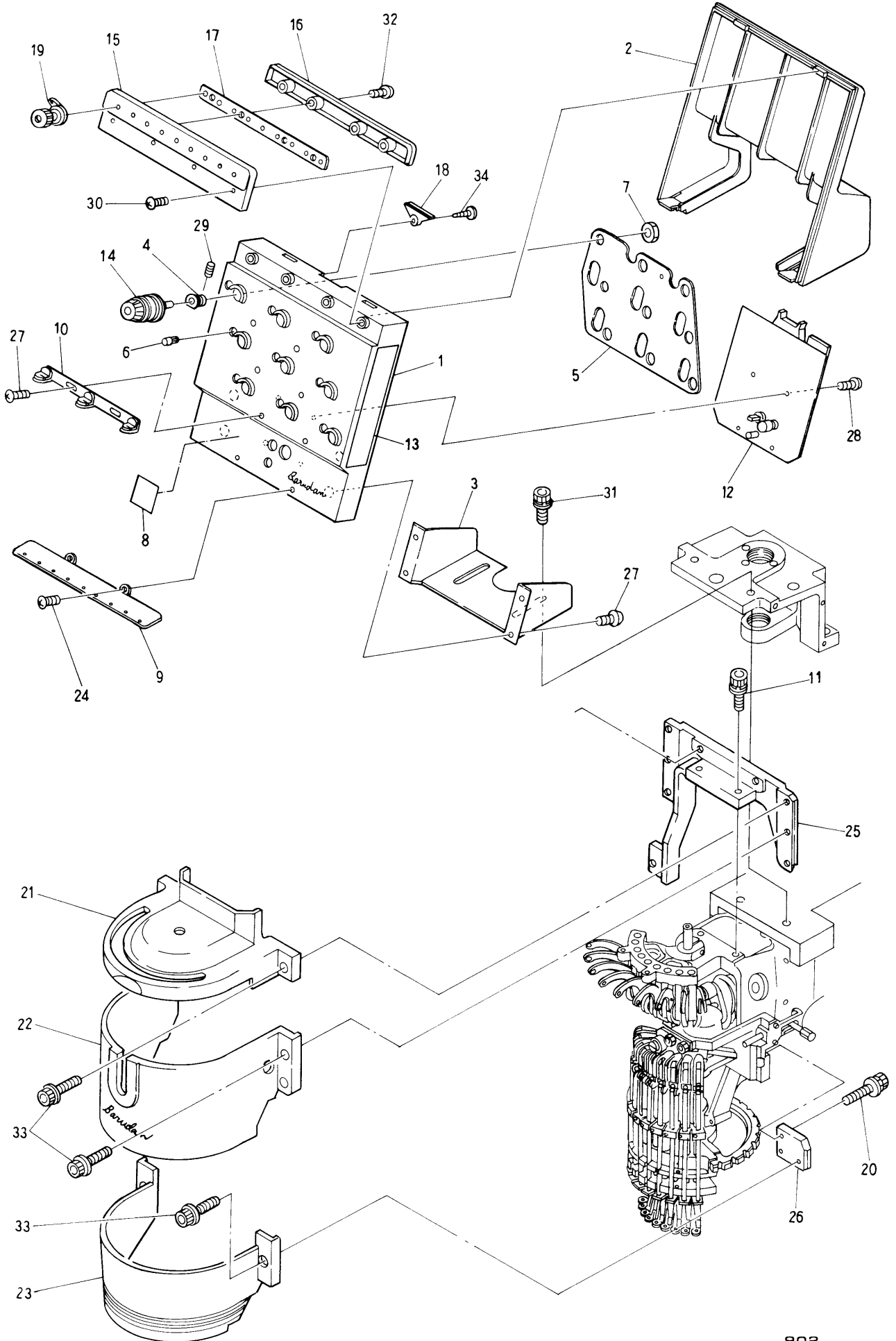


⑪ Thread guide mechanism (YS use)

(H=Head Q'TY)

ITEM	LIST No.	DESCRIPTION	Q'TY	REMARK
1	HT240530	Dial type tension unit complete		YF...5/H YS...7/H
2	HP241150	Tension base (With screw)		YF...5/H YS...7/H
3	HP241180	First thread guide (7)	1 / H	YS
	HP241170	First thread guide (5)	1 / H	YF
4	HP241460	Thread guide felt fixing plate (7)	1 / H	YS
	HP241450	Thread guide felt fixing plate (5)	1 / H	YF
5	HP241440	First tension thread guide (D=13.5)		YF...5/H YS...7/H
6	HP241122	Tension base (7)	1 / H	HP241160 HP241150 含む YS
	HP241112	Tension base (5)	1 / H	HP241160 HP241150 含む YF
7	HP241160	Upper thread detection pin		YF...5/H YS...7/H
8	HP241381	Tension earth plate (7)	1 / H	YS
	HP241371	Tension earth plate (5)	1 / H	YF
9		Tapping screw M2×8		
10	HP241480	Thread guide felt (7)	1 / H	YS
	HP241470	Thread guide felt (5)	1 / H	YF
11	HB240260	Second thread guide plate (7)	1 / H	YS
	HB240270	Second thread guide plate (5)	1 / H	YF
12	EBN02184	2001-091 Upper thread detection board a'ssy	1 / H	
13	KB240051	Tension base bracket	1 / H	
14	KU241400	Tension base label	1 / H	
15	KB240100	Tension base cover	1 / H	
16	KB240060	Tension base (7)	1 / H	YS
	KB240070	Tension base (5)	1 / H	YF
17	KB250020	Sewing head cover A	1 / H	
18	KB250030	Sewing head cover B	1 / H	
19	KB250040	Sewing head cover C	1 / H	
20		Hex. socket bolt M4×15 (with plain washer)		
21	KB250050	Sewing head cover fixing bracket M5×8	1 / H	
22	KB250060	Sewing head cover fixing stay	1 / H	
23		Screw (SM11/64 40×5.5)		
24		Truss screw M4×6		
25		Tapping screw M3.5×8		
26		Pan screw M3×4		
27		Pan screw M3×4 (With washer)		
28		Hex. socket bolt (With washer) M5×15 (With adhesion)		
29		Hex. socket bolt (With washer) M5×10 (With adhesion)		
30		Hex. socket bolt (With washer) M4×6		
31		Hex. socket bolt (With washer) M5×20 (With adhesion)		
32	HB790030	Tension base caution label	2 / H	

**Barudan** — ⑫ Thread guide mechanism (Head with color change mechanism)



MODEL **BEATME**

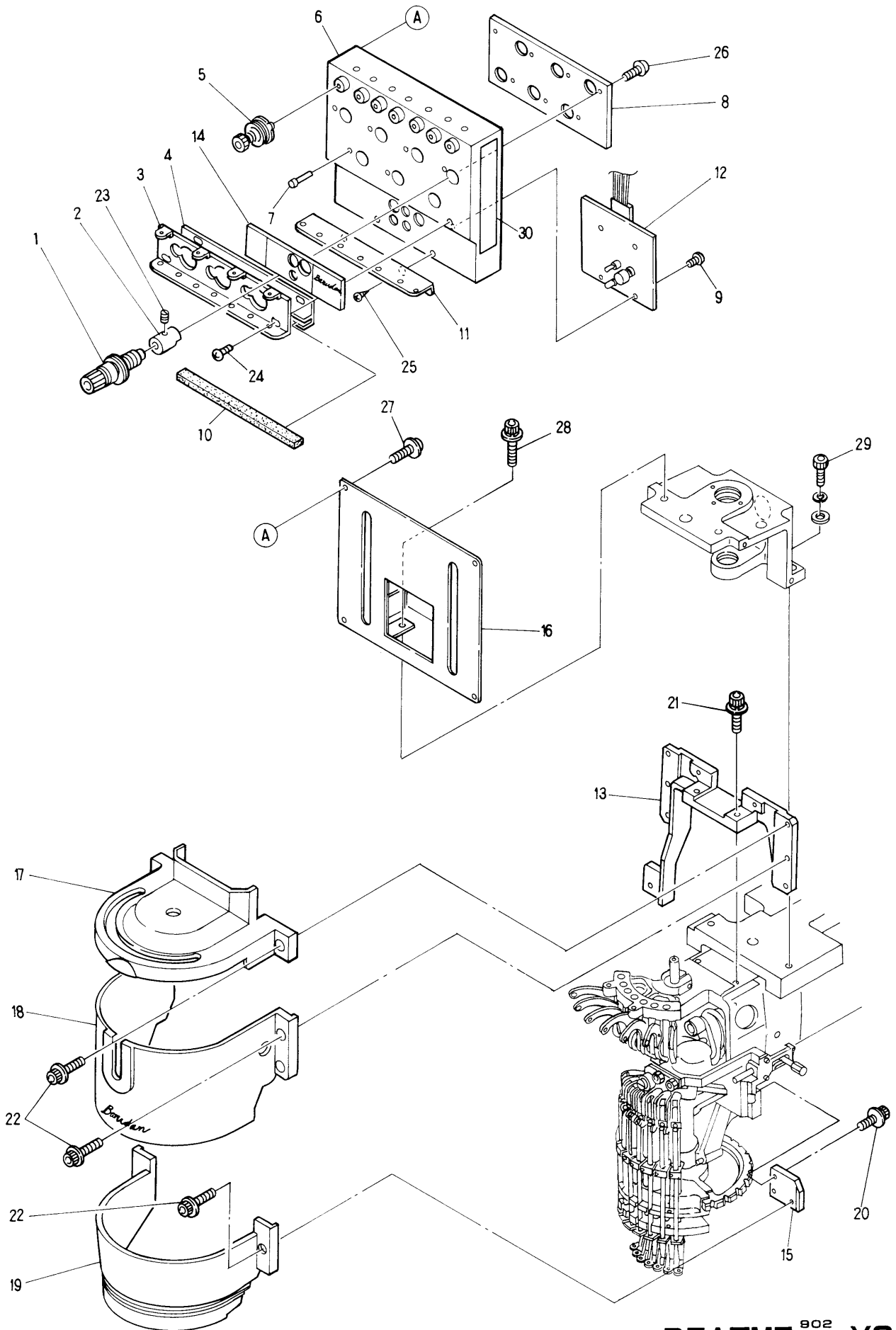
88	00
88	04
88	06
88	08

 -YN



Barudan

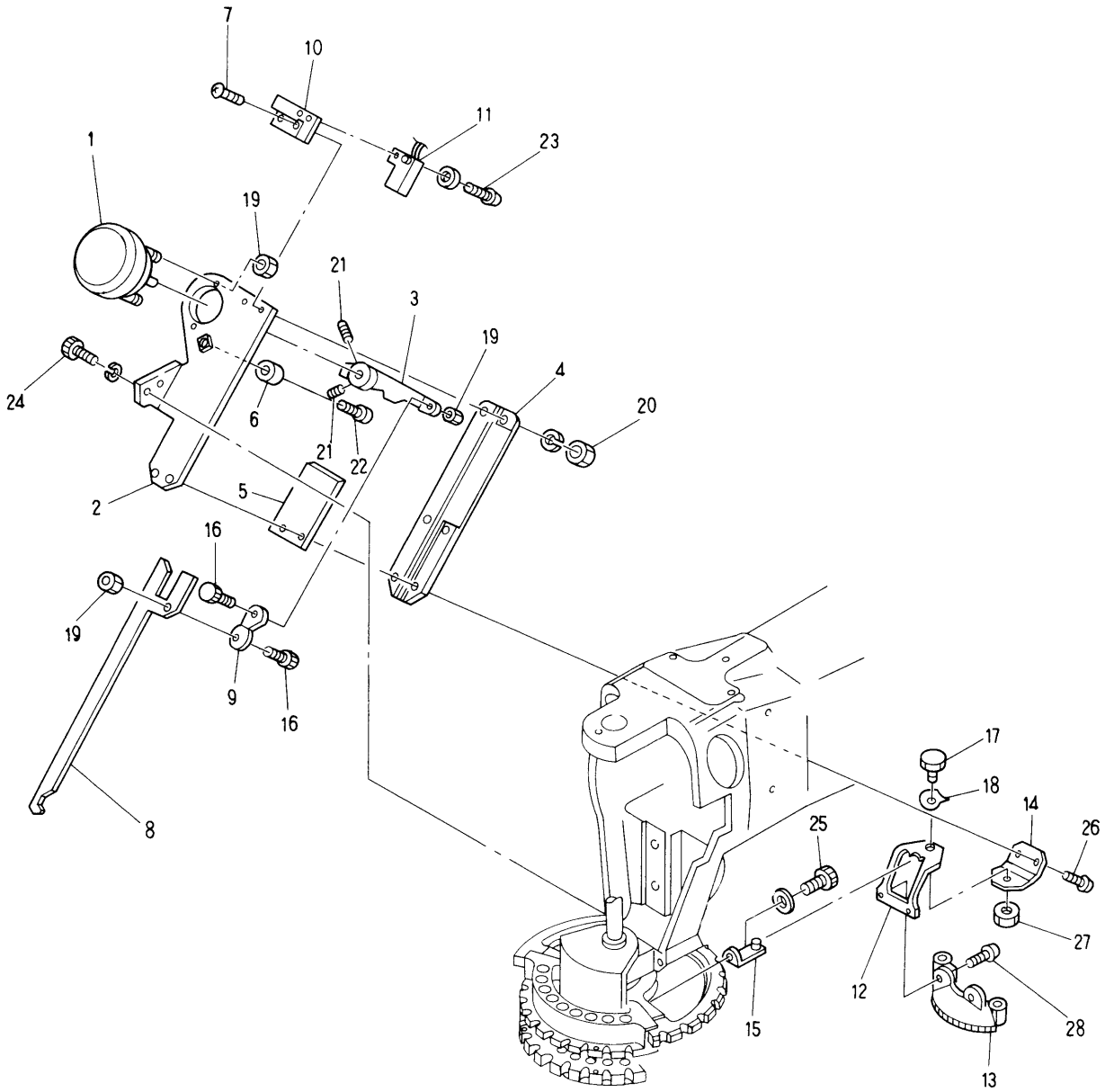
⑫ Thread guide mechanism  
(Head with color change mechanism)



MODEL BEATME 802  
804 -YS  
806  
808

⑫ Thread guide mechanism (Head with color change mechanism) (YS use) (H=Head Q' TY)

ITEM	LIST No	DESCRIPTION	Q'TY	REMARK
1	HT 2 4 0 5 3 0	Dial type tension unit complete		YF...5 YS...7
2	HP 2 4 1 1 5 0	Tension base (With screw)		YF...5 YS...7
3	HP 2 4 1 1 8 0	First thread guide (7)	1	YS
	HP 2 4 1 1 7 0	First thread guide (5)	1	YF
4	HP 2 4 1 4 6 0	Thread guide felt fixing plate (7)	1	YS
	HP 2 4 1 4 5 0	Thread guide felt fixing plate (5)	1	YF
5	HP 2 4 1 4 4 0	Upper tension unit complete		YF...5 YS...7
6	HP 2 4 1 1 2 2	Tension base (7)	1	HP241160 HP241150 YS
	HP 2 4 1 1 1 2	Tension base (5)	1	HP241160 HP241150 YF
7	HP 2 4 1 1 6 0	Upper thread detection pin		YF...5 YS...7
8	HP 2 4 1 3 8 1	Tension earth plate (7)	1	YS
	HP 2 4 1 3 7 1	Tension earth plate (5)	1	YF
9		Tapping screw M2×8		
10	HP 2 4 1 4 8 0	Thread guide felt (7)	1	YS
	HP 2 4 1 4 7 0	Thread guide felt (5)	1	YF
11	HB 2 4 0 2 6 0	Second thread guide plate (7)	1	YS
	HB 2 4 0 2 7 0	Second thread guide plate (5)	1	YF
12	EBN 0 2 1 8 4	2001-097(YN) Upper thread detection board a'ssy	1	
13	MB 2 9 5 1 1 0	Sewing head cover fixing bracket (BEAT-IV-YS-T)	1	
14	KU 2 4 1 4 0 0	Tension base label	1	
15	KB 2 5 0 0 6 0	Sewing head cover fixing stay	1	
16	KR 3 3 0 0 4 0	Tension base (7)	1	YS
	KR 3 3 0 2 4 0	Tension base (5)	1	YF
17	KB 2 5 0 0 2 0	Sewing head cover A	1	
18	KB 2 5 0 0 3 0	Sewing head cover B	1	
19	KB 2 5 0 0 4 0	Sewing head cover C	1	
20		Hex. socket bolt M4×15 (With plain washer spring washer)		
21		Hex. socket bolt M5×20 (With plain washer spring washer)		
22		Hex. socket bolt M4×6 (With plain washer)		
23		Set screw (SM11/64 40×5.5)		
24		Truss screw M4×6		
25		Tapping screw M3.5×8		
26		Pan screw M3×4		
27		Pan screw with wasfer M4×8 (With plain washer)		
28		Hex. socket bolt M5×10(With plain washer)		
29		Hex. socket bolt M6×25		
30	HB 7 9 0 0 3 0	Tension base caution label	2	

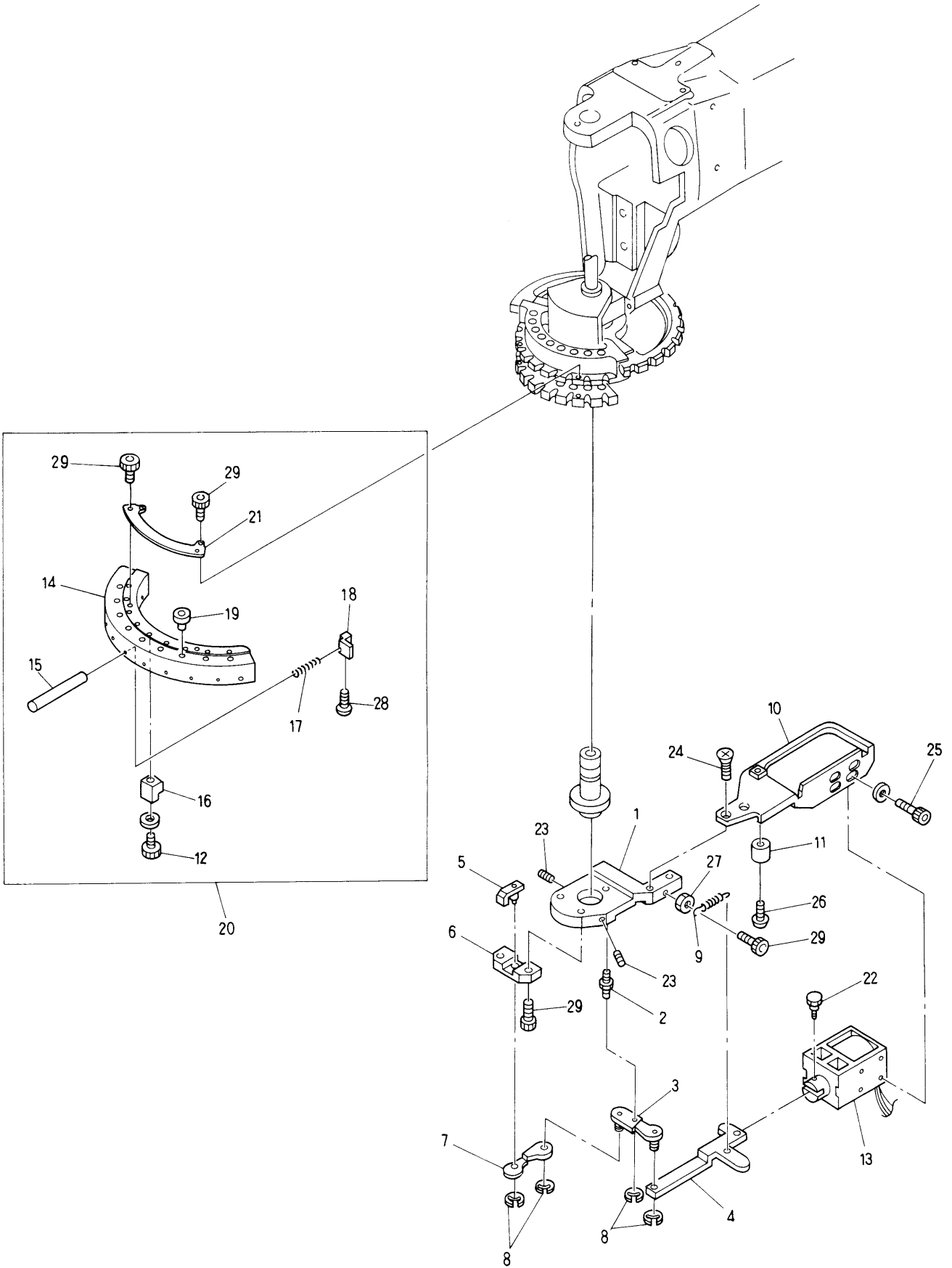




⑬ Automatic thread cutting mechanism II (Thread away section)(N·YS use) (H=Head Q'TY)

ITEM	LIST No.	DESCRIPTION	Q'TY	REMARK
1	A 9 0 5 6 0 1 8	Rotary solenoid (4ER67.5-34×8×9) Orange	H×1	
2	KL 2 7 0 0 8 1	Thread away base	H×1	
3	KL 2 7 0 1 1 0	Thread away solenoid lever	H×1	
4	KL 2 7 0 0 9 1	Thread away hook guide	H×1	
5	KL 2 7 0 4 5 0	Hook guide plate	H×1	
6	KN 2 7 2 4 0 0	Stopper eccentric	H×1	
7		Truss screw M3 × 10		
8	KL 2 7 0 1 0 1	Thread away plate	H×1	
9	KL 2 7 0 1 2 0	Connecting plate	H×1	
10	KL 2 7 0 2 6 0	Switch stay	H×1	
11	A 9 0 5 2 0 2 8	Proximity switch (RS-603)	H×1	
12	KL 2 7 0 4 3 0	Thread hanger plate fixing stay	H×1	
13	KL 2 7 0 4 0 0	Thread hanger plate CMP	H×1	
14	KL 2 7 0 4 4 0	Rotary shaft fixing stay	H×1	
15	KL 2 7 0 4 2 0	Thread hanger driving pin	H×1	
16	KL 2 7 0 1 3 0	Lever connecting pin	H×2	
17	KL 2 7 0 4 1 0	Thread hanger plate rotary shaft	H×1	
18	A 9 0 1 3 0 6 6	Wave washer (WW5)	H×1	
19		Hex. nut M4		
20		Hex. nut M4		
21		Hex. socket set screw M4 × 8		
22		Truss screw M4 × 16		
23		Truss screw M3 × 6		
24		Hex. socket bolt M4 × 12		
25		Hex. socket bolt M3 × 8		
26		Truss screw M3 × 7		
27		Hex. nut M3		
28		Truss screw M3 × 4		

⑭ Automatic thread cutting mechanism III  
(Thread support section)

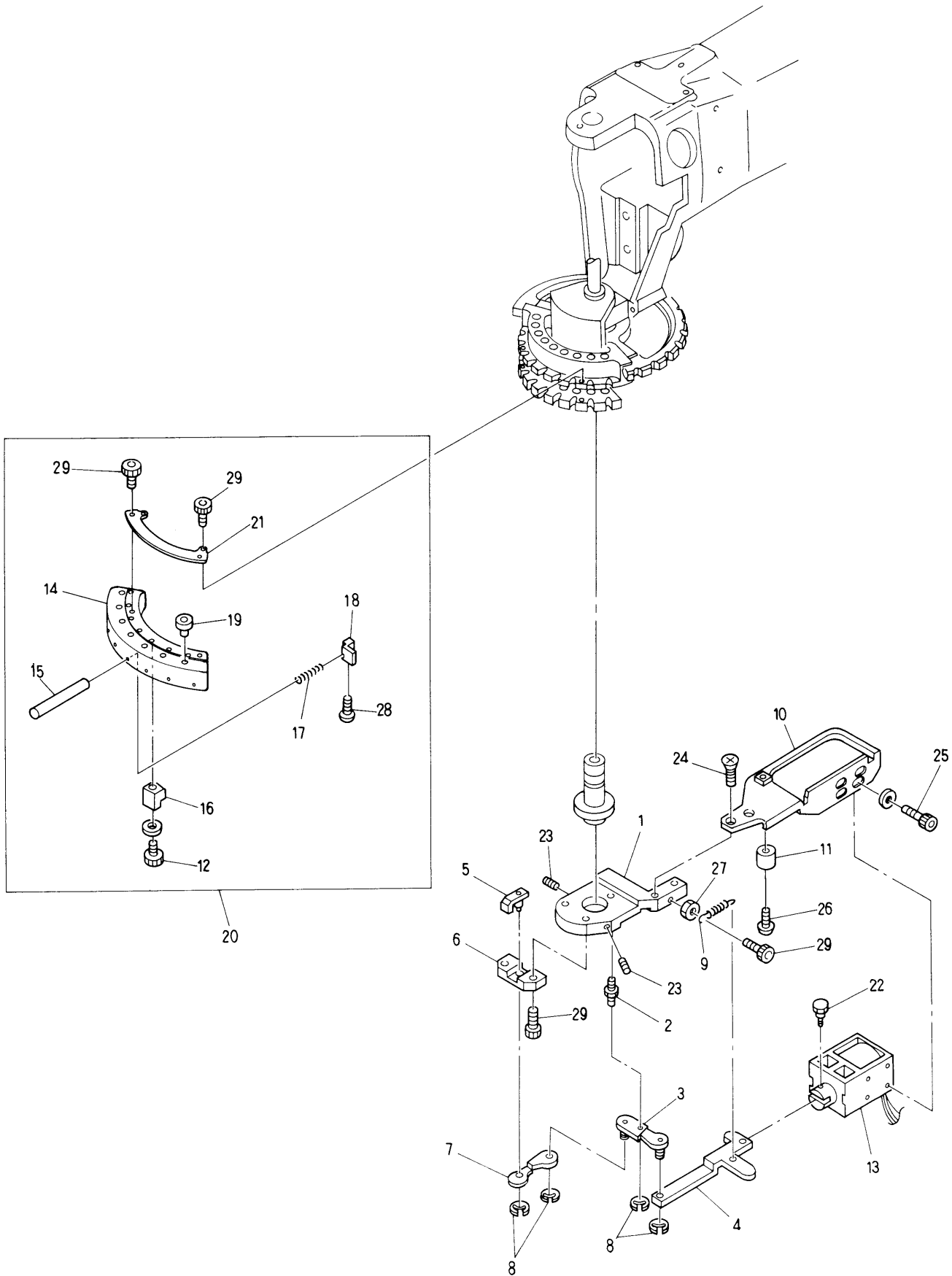


MODEL BEATME 802-YN  
804  
806  
808

⑭ Automatic thread cutting mechanismⅢ (Thread support section) (YN use) (H=Head Q' TY)

ITEN	LIST No	DESCRIPTION	Q' TY	REMARK
1	KL270000	Fixing base	H×1	
2	KL270040	Lever turret pin	H×1	
3	KL270050	Solenoid lever	H×1	
4	KL270060	Lever connecting plate	H×1	
5	KL270020	Thread support slider	H×1	
6	KL270010	Slide base	H×1	
7	KL270030	Driving plate	H×1	
8	A9012056	E-Ring φ3	H×1	
9	KL270520	Return spring	H×1	
10	KL270070	Solenoid stay	H×1	
11	KN272400	Stopper eccentric	H×1	
12		Hex. socket bolt M3×10		
13	A9056013	Keep solenoid (TDK-K10SL)	H×1	
14	HT270001	Thread support apron	H×1	
15	HT270040	Thread support shaft	H×9	
16	KC270292	Thread support block	H×9	
17	KC270271	Support spring	H×9	
18	HT270020	Thread support clamp	H×9	
19	KF230580	Take up lever ceramic	H×9	
20	HT270030	Thread support apron a'ssy (YS-2)	H×1	
21	HT270010	Thread support apron stay	H×1	
22	KC270101	Solenoid pin	H×1	
23		Hex. socket set screw M4×8		
24		Truss screw M4×8		
25		Hex. socket bolt M3×6		
26		Truss screw M4×16		
27		Hex. nut M4		
28	HT270061	Hex. socket button bolt M3×6	H×9	
29		Hex. socket bolt (Planting) M3×6	H×4	

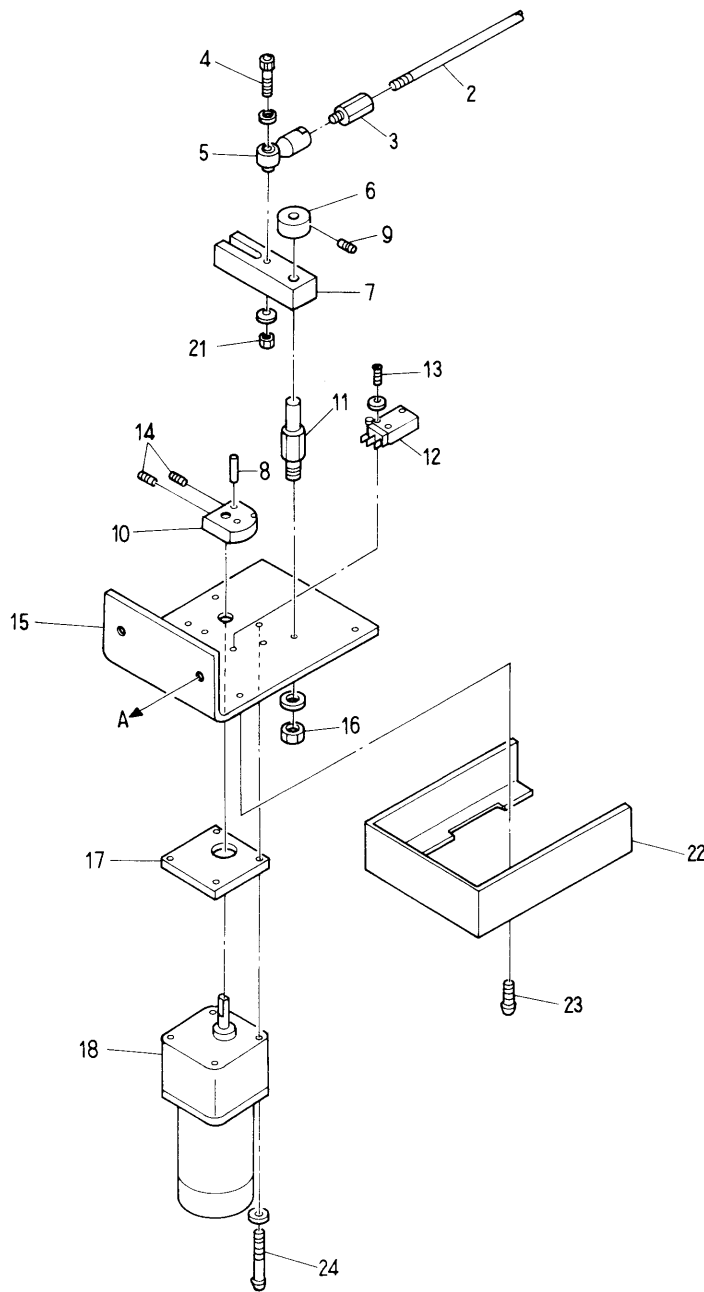
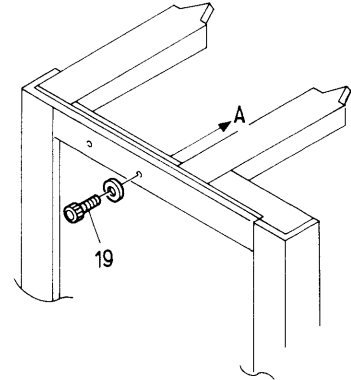
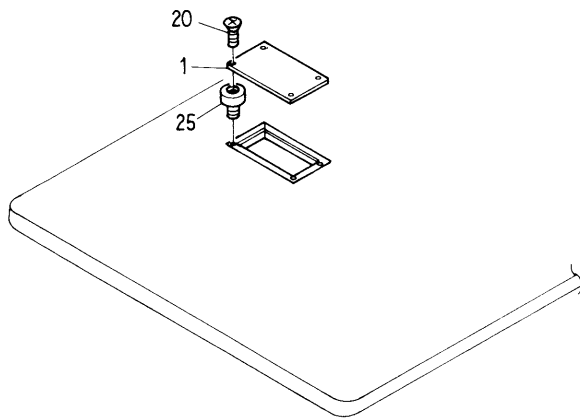
⑭ Automatic thread cutting mechanism III  
(Thread support section)





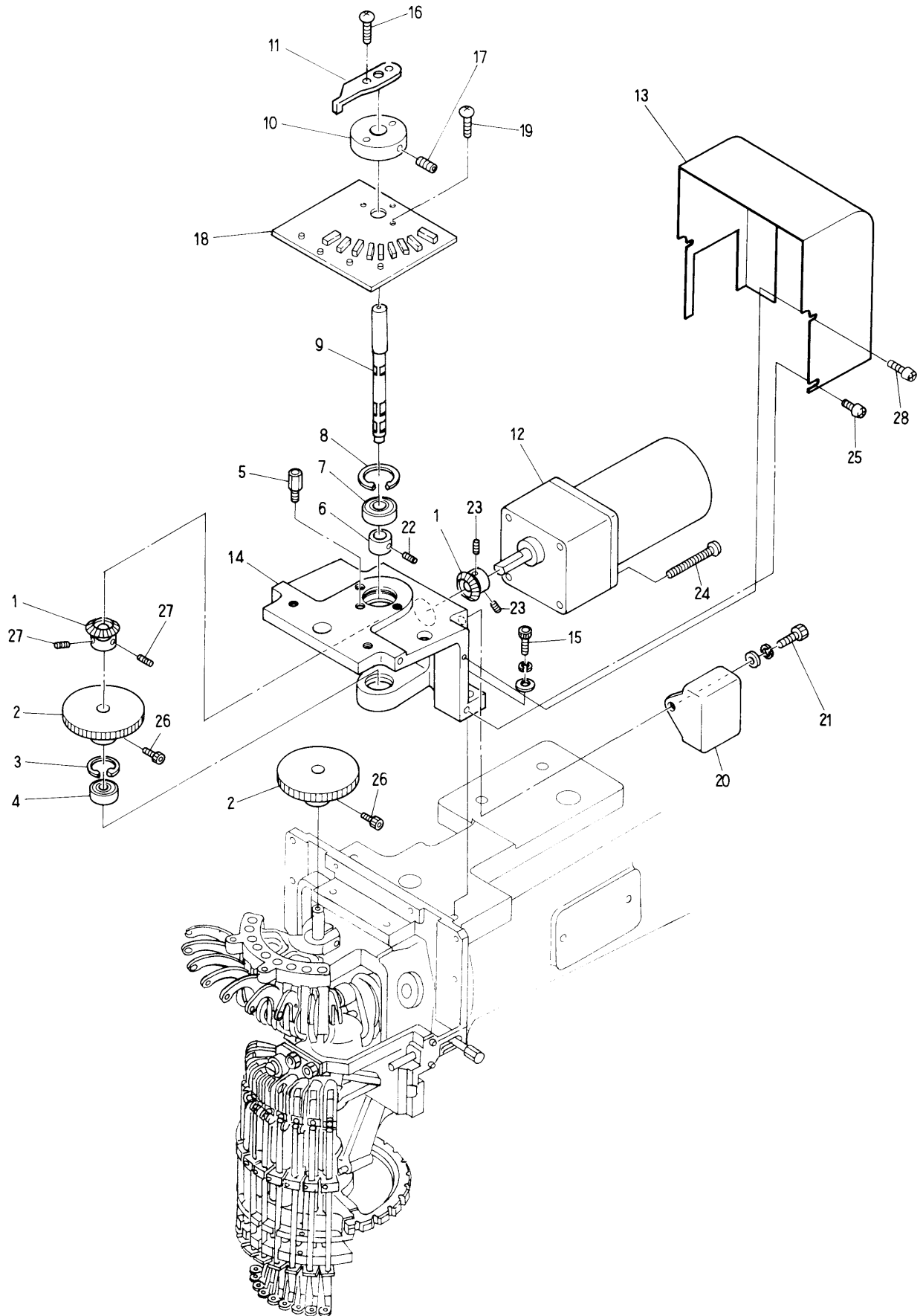
Barudan

⑮ Automatic thread cutting mechanism IV  
(Drive mechanism)



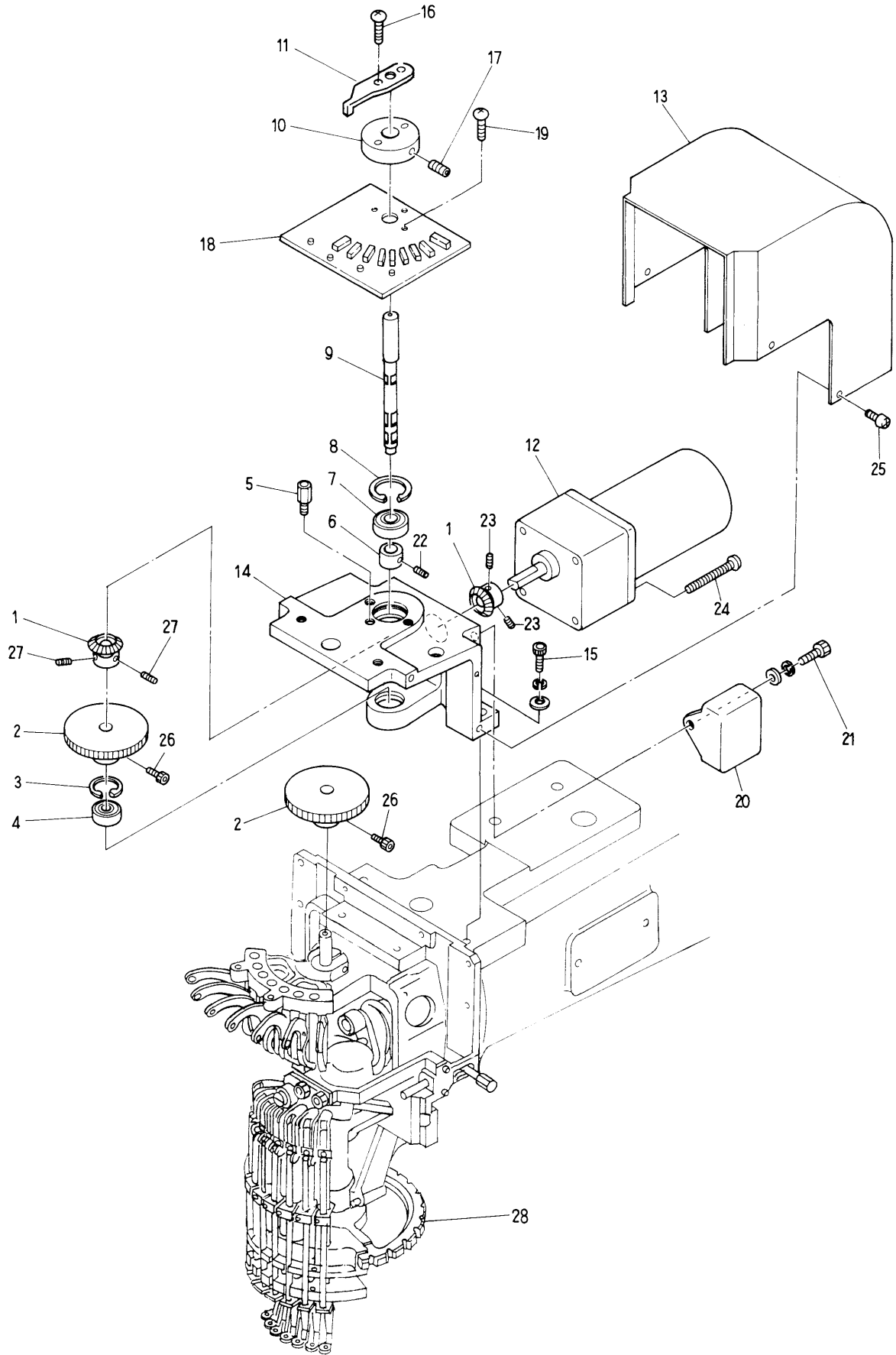
MODEL BEATME 802-YN  
804  
806  
808



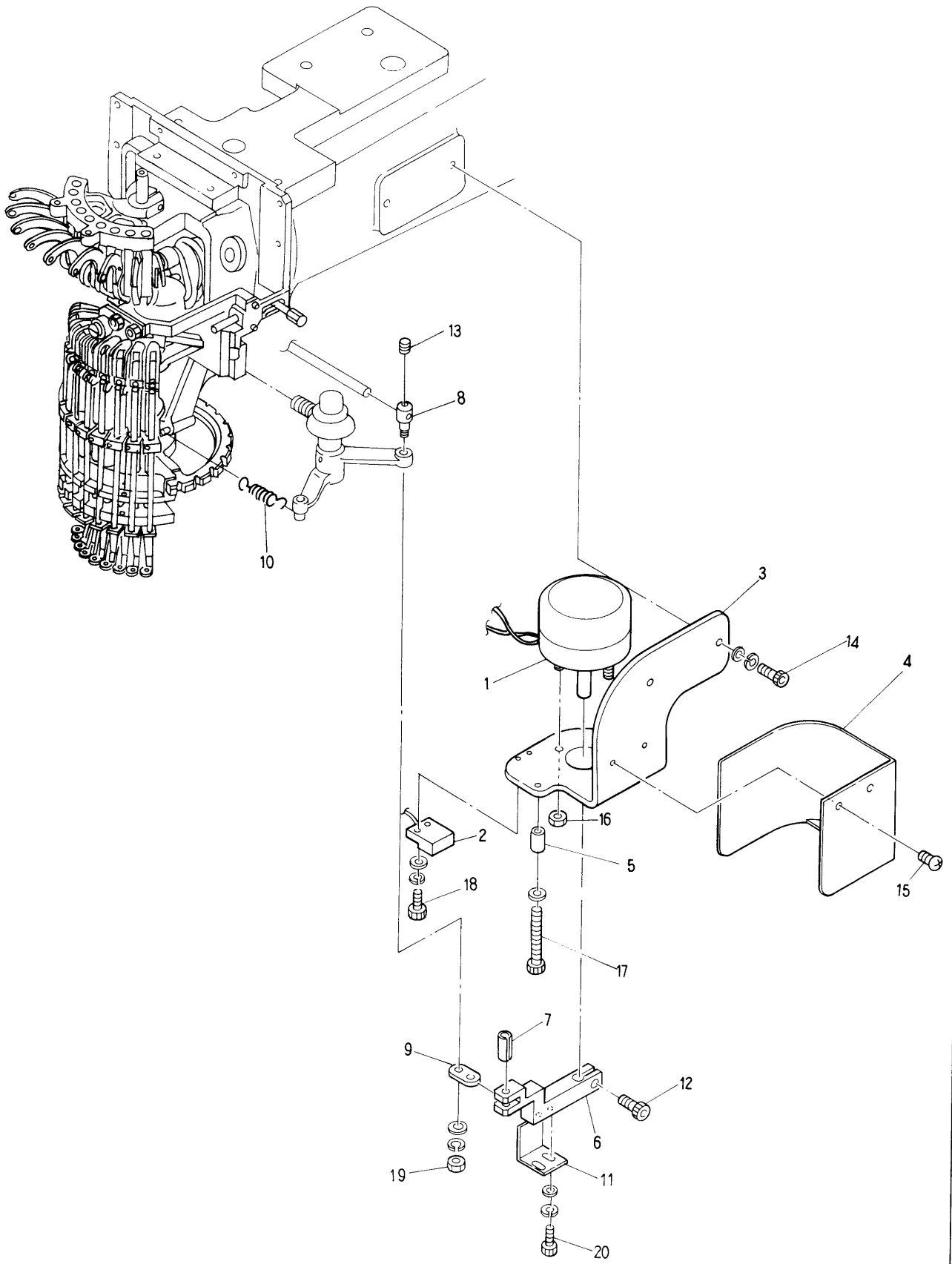




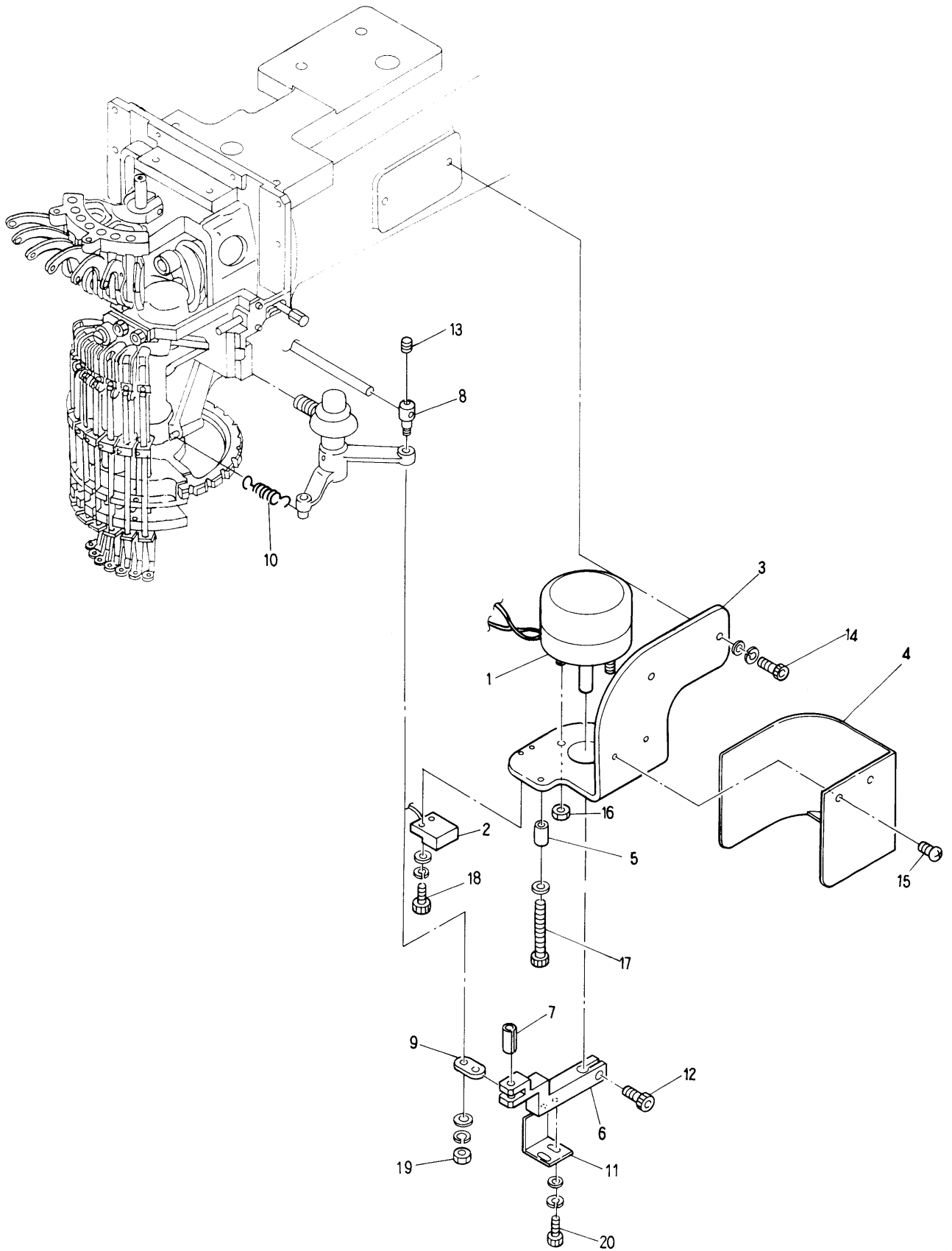




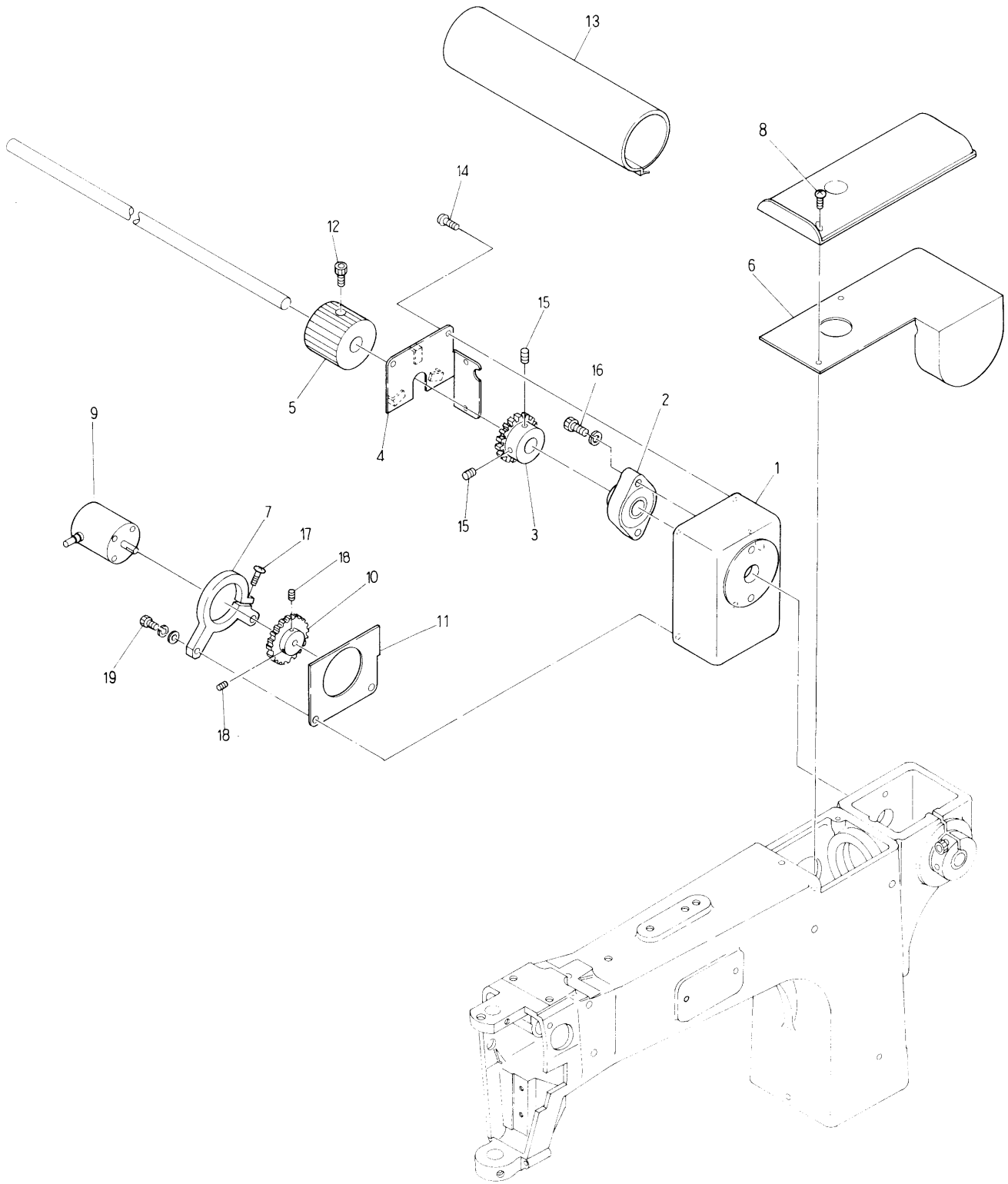






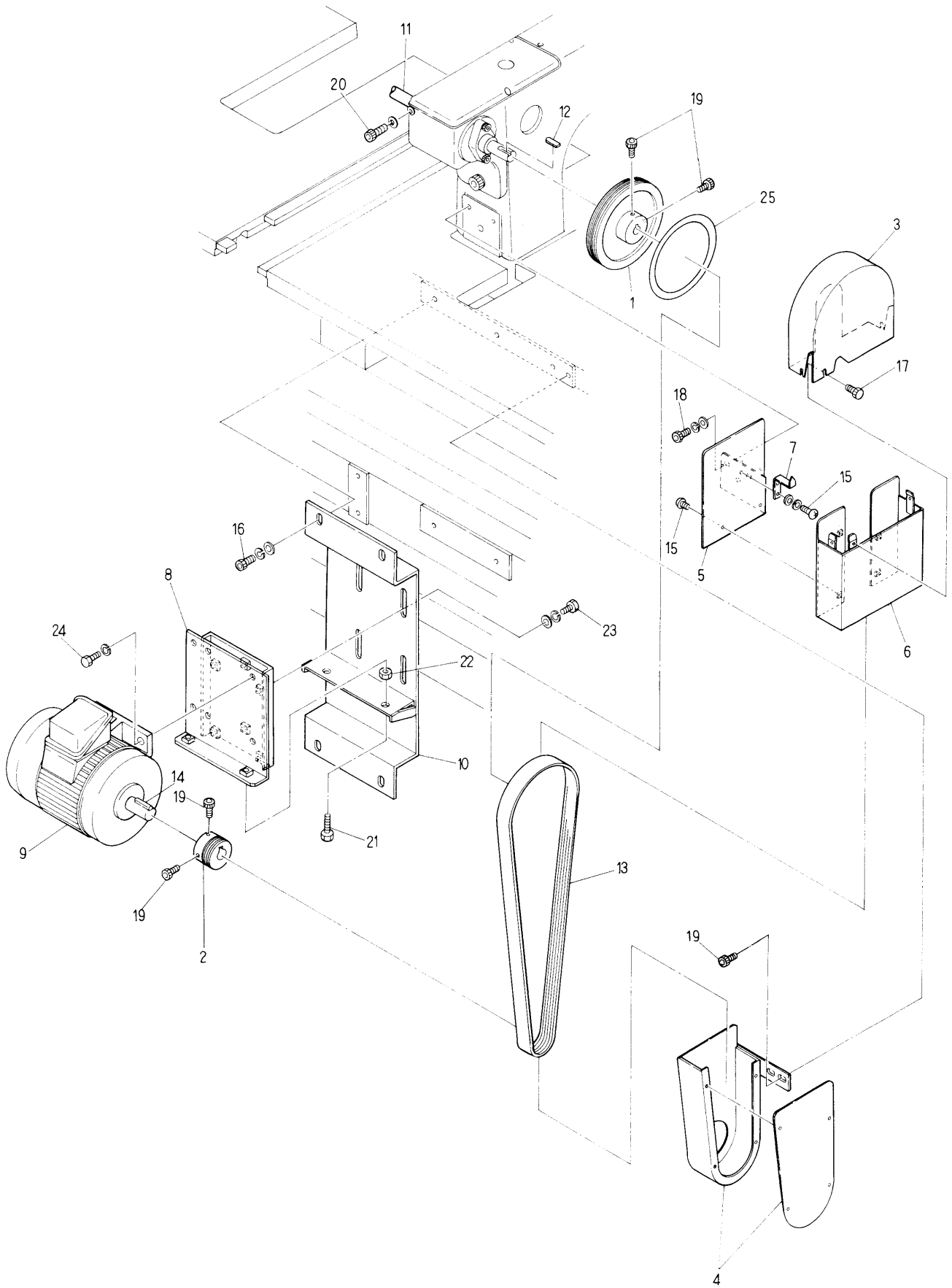








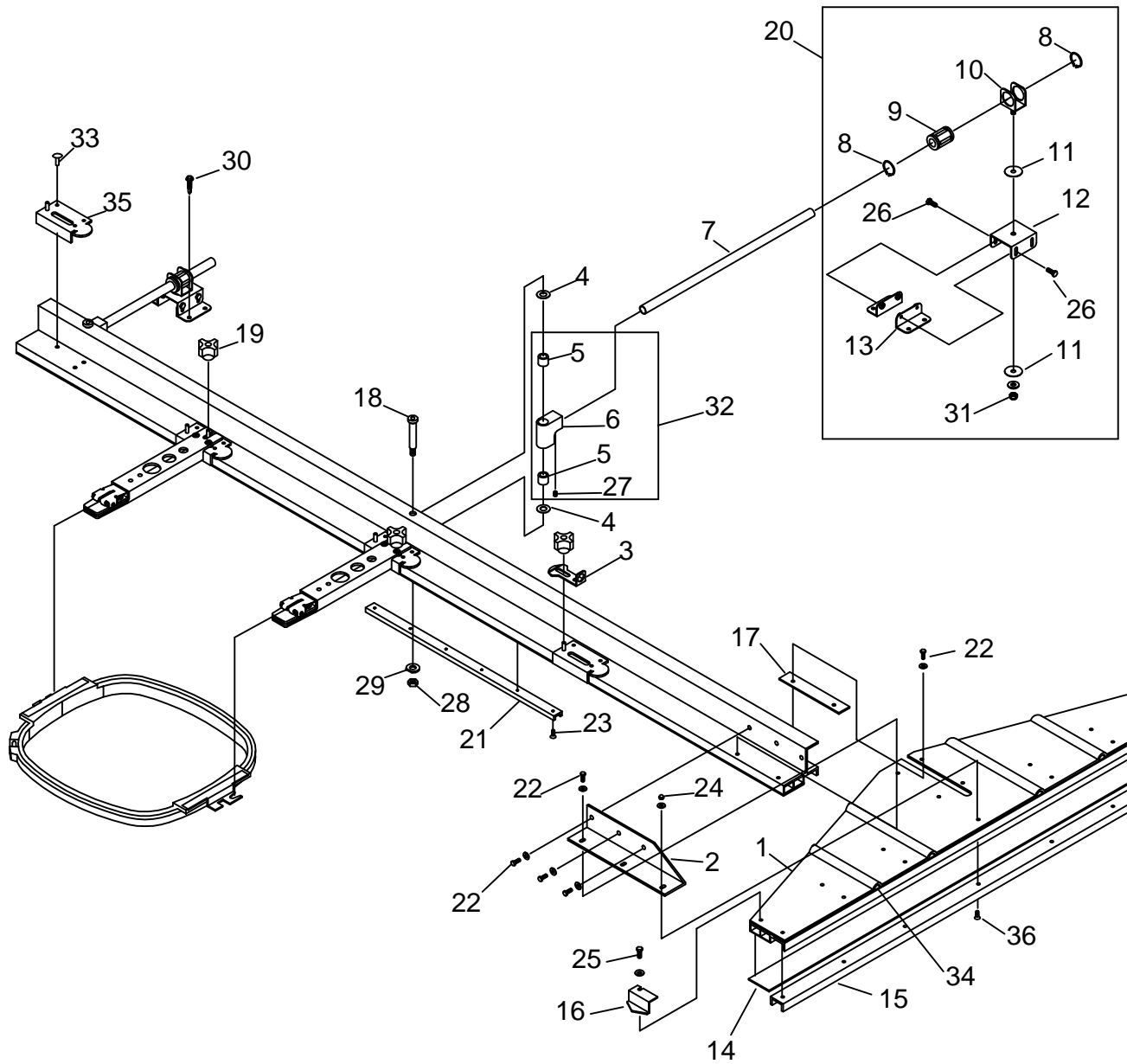




⑱ Drive mechanism (N·YS use)

ITEM	LIST No.	DESCRIPTION	Q'TY	REMARK
1	KR310000	Driving pulley	1	
2	KN310010	Motor pulley $\phi 48.6$	1	
3	KV310040	Belt cover (Upper)	1	
4	KV310050	Belt cover (Motor)	1	
5	KV310110	Belt cover bracket	1	
6	KV310050	Belt cover (Lower)	1	
7	KV310090	Angle gauge	1	
8	KR310020	Motor fixing bracket	1	
9	KN315110	Motor (IK-FBK8-4P-0.55KW, VF3 200V)	1	
10	KV310070	Motor base	1	
11	KR320010	Driving shaft (BEATME-902, L=688)	1	
	KR320030	Driving shaft (BEATME-904, L=1728)	1	
	KR320001	Driving shaft (BEATME-906, L=2768)	1	
	KR320020	Driving shaft (BEATME-908, L=3808)	1	
12	KR310070	Key (5×5×35)	1	
13	A9020200	Belt (4PK-1240)	1	
14	KU315250	Key (6×6×32)	1	
15		Truss screw M4×8		
16		Hex. socket bolt M4×25		
17	A9012320	Thumb screw M4×8	3	
18		Hex. socket bolt M4×15		
19		Hex. socket bolt M6×15		Key side
		Hex. socket bolt M6×18		
20		Hex. socket bolt M6×60		
21		Hex. bolt M8×60		
22		Hex. nut M8		
23		Hex. bolt M8×20		
24		Hex. bolt M8×25		
25	HP313690	Angle label (B)	1	

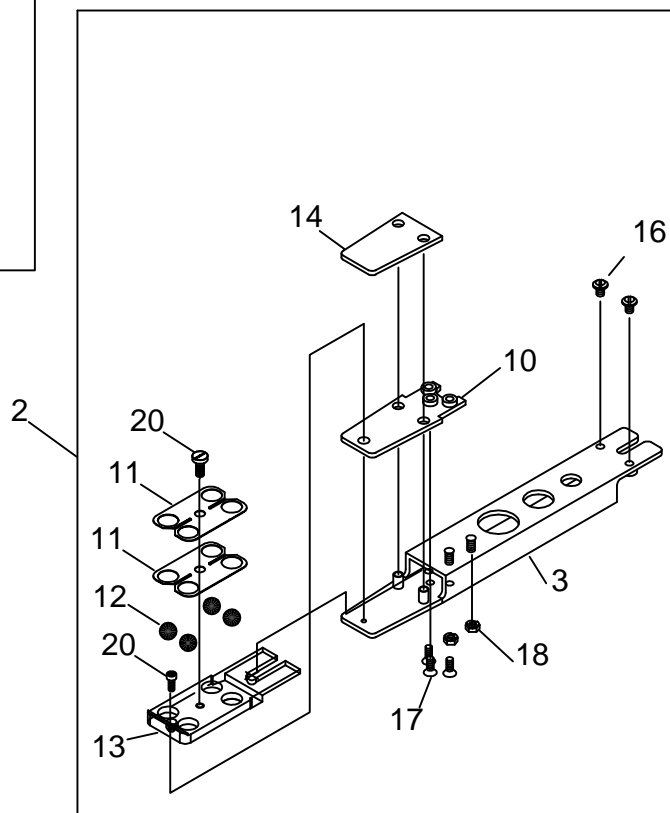
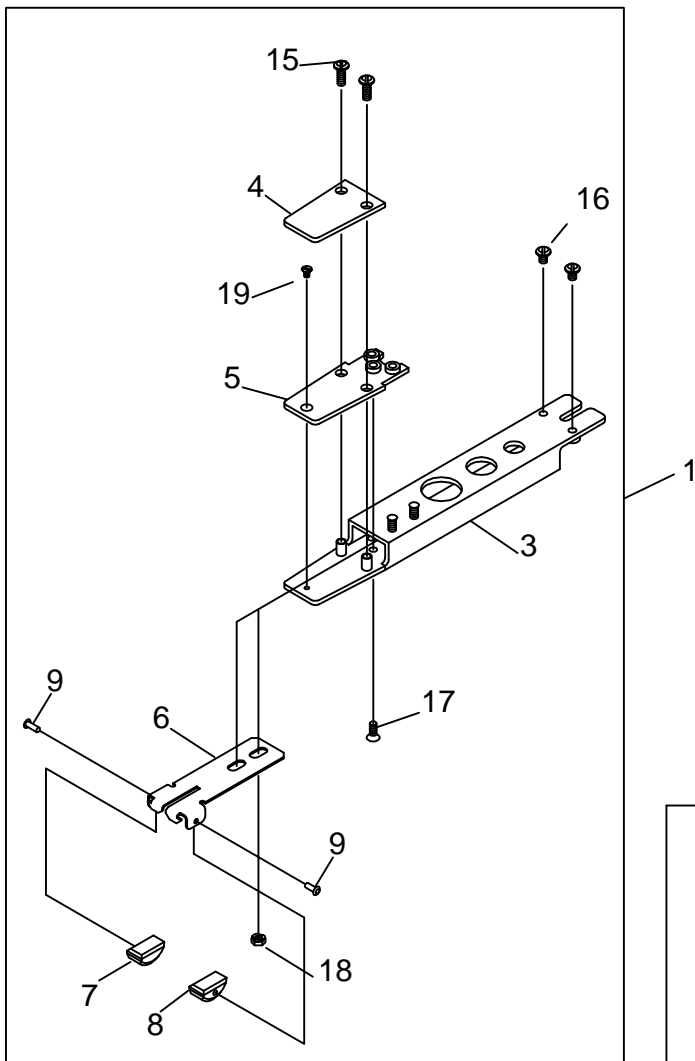
# American Pantograph Addendum



(For 2, 4, and 6 head U.S. built machines)



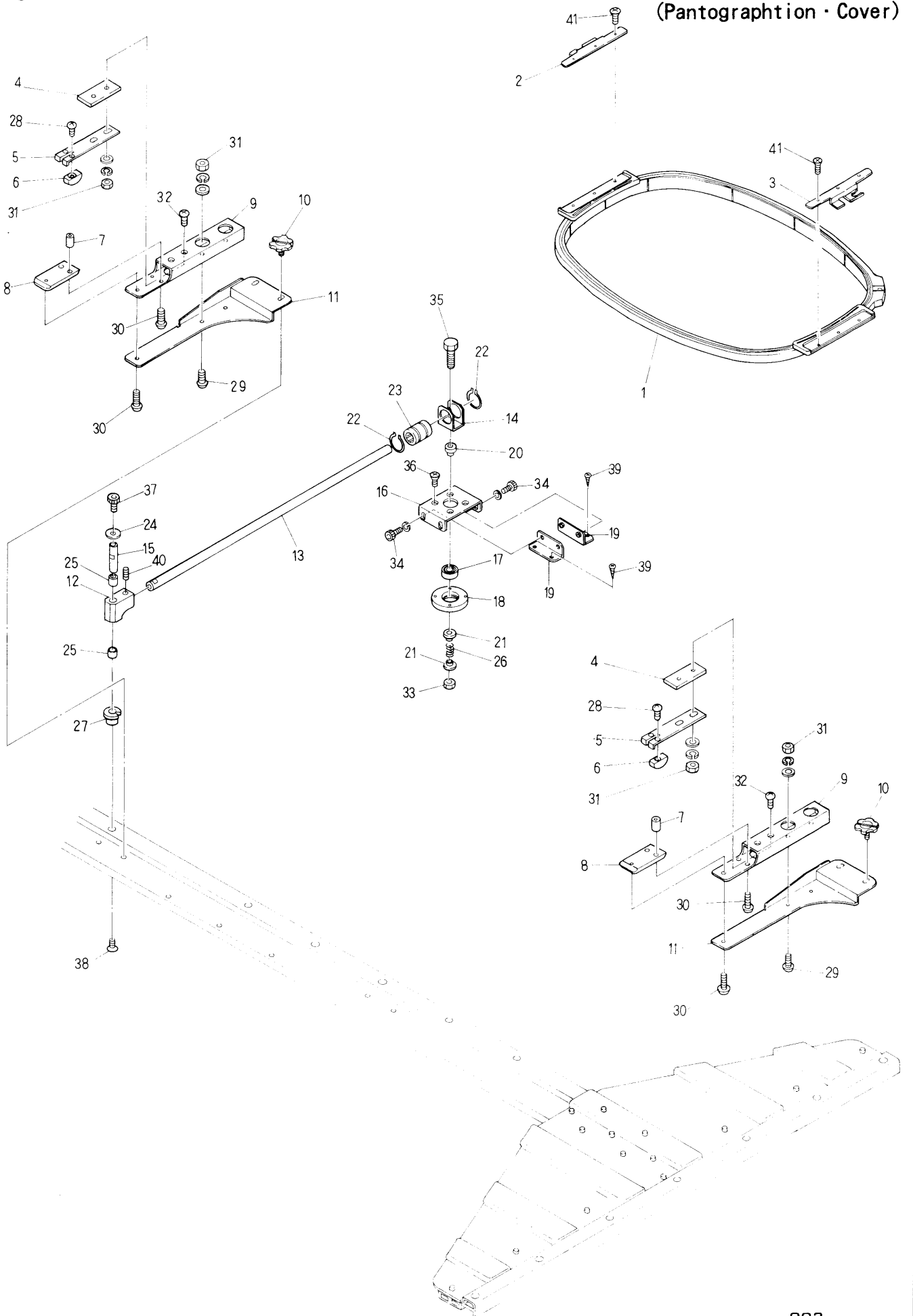
# American Pantograph Addendum



(For 2, 4, and 6 head U.S. built machines)



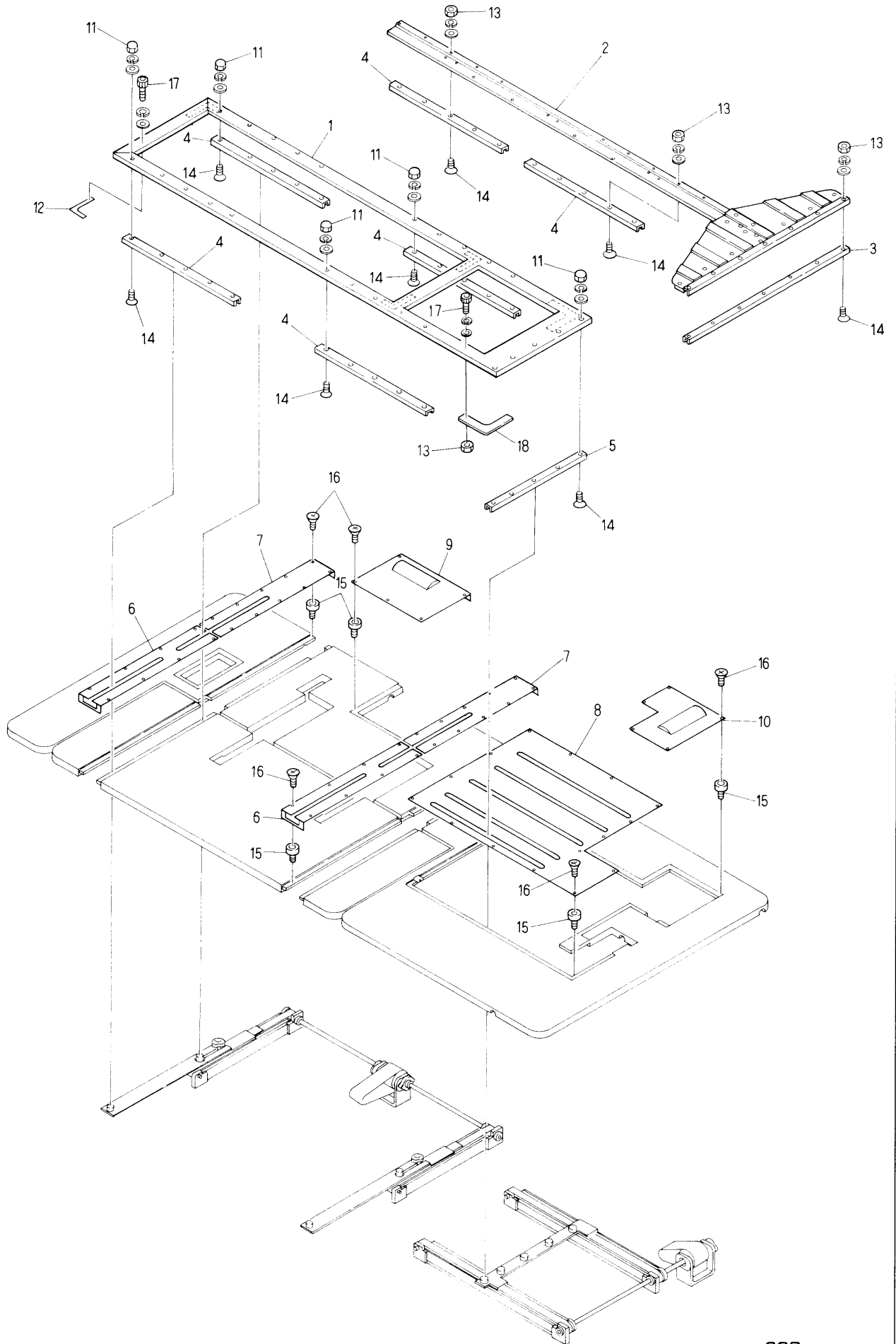
②① Pantograph drive mechanism I  
(Pantographion - Cover)



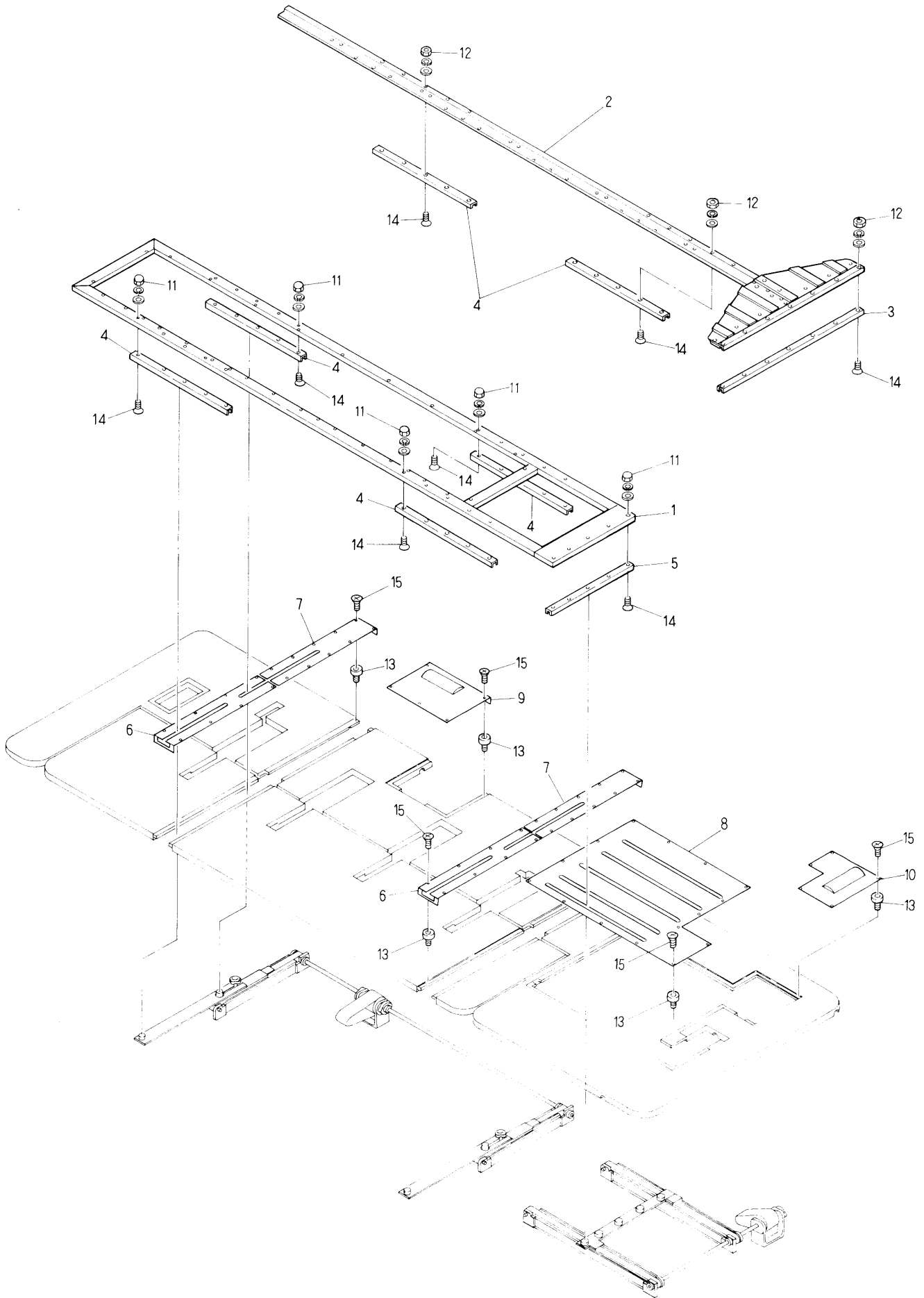


⑳ Pantograph drive mechanism I (Pantograph · Cover) (N·YS use)

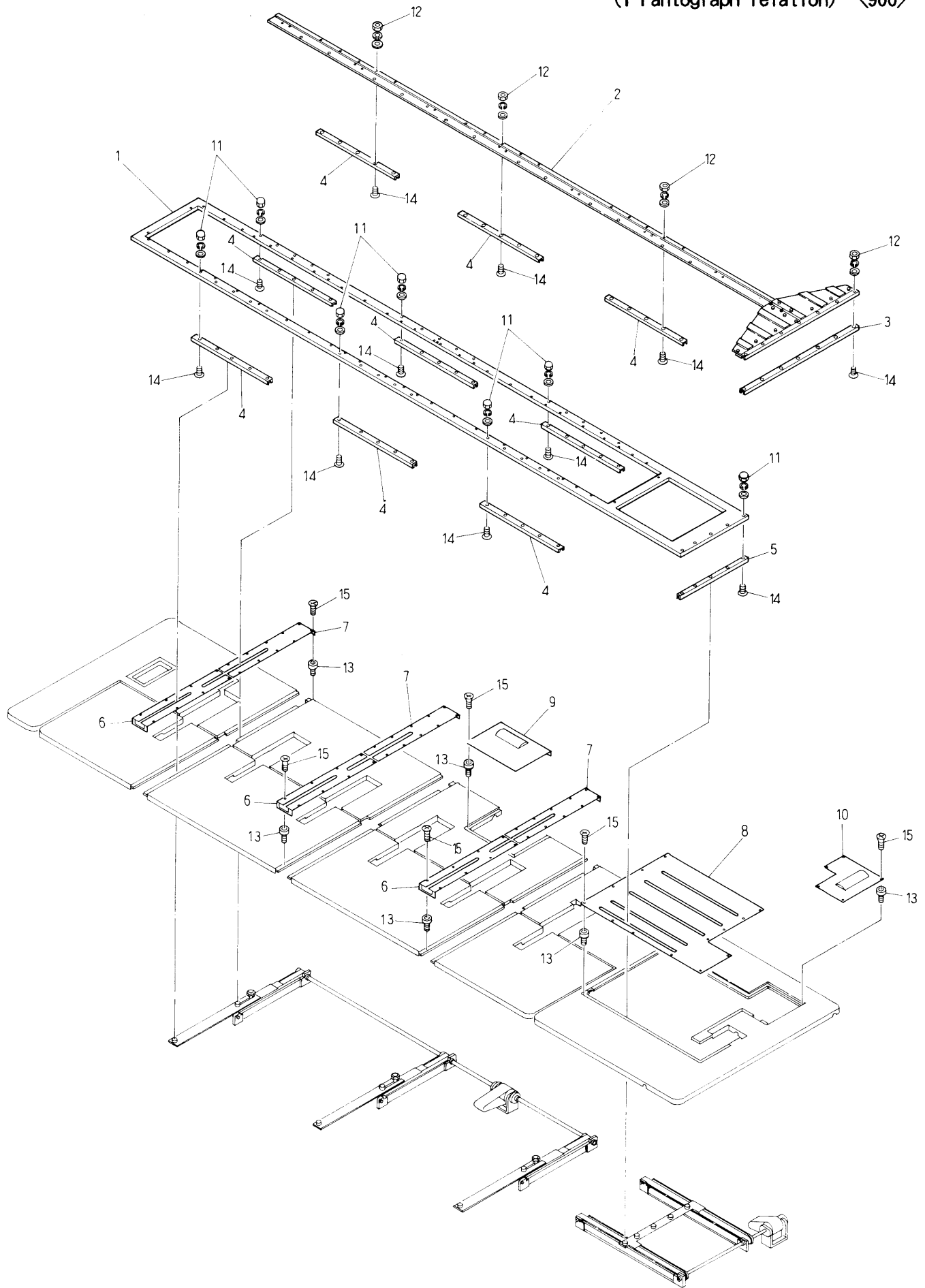
ITEM	LIST No.	DESCRIPTION	Q'TY	REMARK
1	FR92300290A	Square pantograph 320×290	2	904...4 906...6 908...8
2	FR600528	Metal for square wood frame (No.1) R	2	904...4 906...6 908...8
3	FR600529	Metal for square wood frame (No.1) L	2	904...4 906...6 908...8
4	HS460200	Fixing spacer	3	904...5 906...7 908...9
5	HS460030	Frame fixing spring No.2	3	904...5 906...7 908...9
6	HS460050	Frame fixing block	6	904...10 906...14 908...18
7	HS460210	Frame fixing the position pin	6	904...10 906...14 908...18
8	KK460130	Frame slide plate	3	904...5 906...7 908...9
9	KK460050	Fixing base	3	904...5 906...7 908...9
10	HS730000	Knurling screw for pantograph	6	904...10 906...14 908...18
11	KK460061	Fixing stay	3	904...5 906...7 908...9
12	KK460070	Rotation block	2	904...3 906...4 908...5
13	KK460090	Pantograph set driving shaft	2	904...3 906...4 908...5
14	KK460040	Bush fixing bracket	2	904...3 906...4 908...5
15	KK460080	Rotation shaft B	2	904...3 906...4 908...5
16	KK460010	Pantograph set base (Upper)	2	904...3 906...4 908...5
17	A9010036	Bearing (6900ZZ)	2	904...3 906...4 908...5
18	KK460031	Bearing set plate	2	904...3 906...4 908...5
19	KK460000	Pantograph set base (Lower)	4	904...6 906...8 908...10
20	KK460020	Rotation shaft A	2	904...3 906...4 908...5
21	KK460120	Spring set plate	4	904...6 906...8 908...10
22	A9012064	C-Ring (For shaft)21	4	904...6 906...8 908...10
23	A9011131	Slide bush SM12GUU	2	904...3 906...4 908...5
24	A9012164	Thrust washer R-TW0815	2	904...3 906...4 908...5
25	A9011132	DU Bush MB0805	4	904...6 906...8 908...10
26	KK460140	Pantograph set base	4	904...3 906...4 908...5
27	A9012264	DU Bush (MB0808-15FDU)	2	904...3 906...4 908...5
28		Truss screw M3×3		
29		Truss screw M3×7		
30		Truss screw M3×5		
31		Hex. nut M3		
32		Truss screw M3×10		
33		U Nut M5		
34		Hex. socket bolt M5×10		
35		Hex. bolt M5×25		
36		Flush screw M4×10		
37		Hex. socket bolt M4×8		
38		Flush screw M4×12		
39		Bind tapping screw M4.5×24		
40		Hex. socket set screw M6×8		
41		Flush screw M3×6		







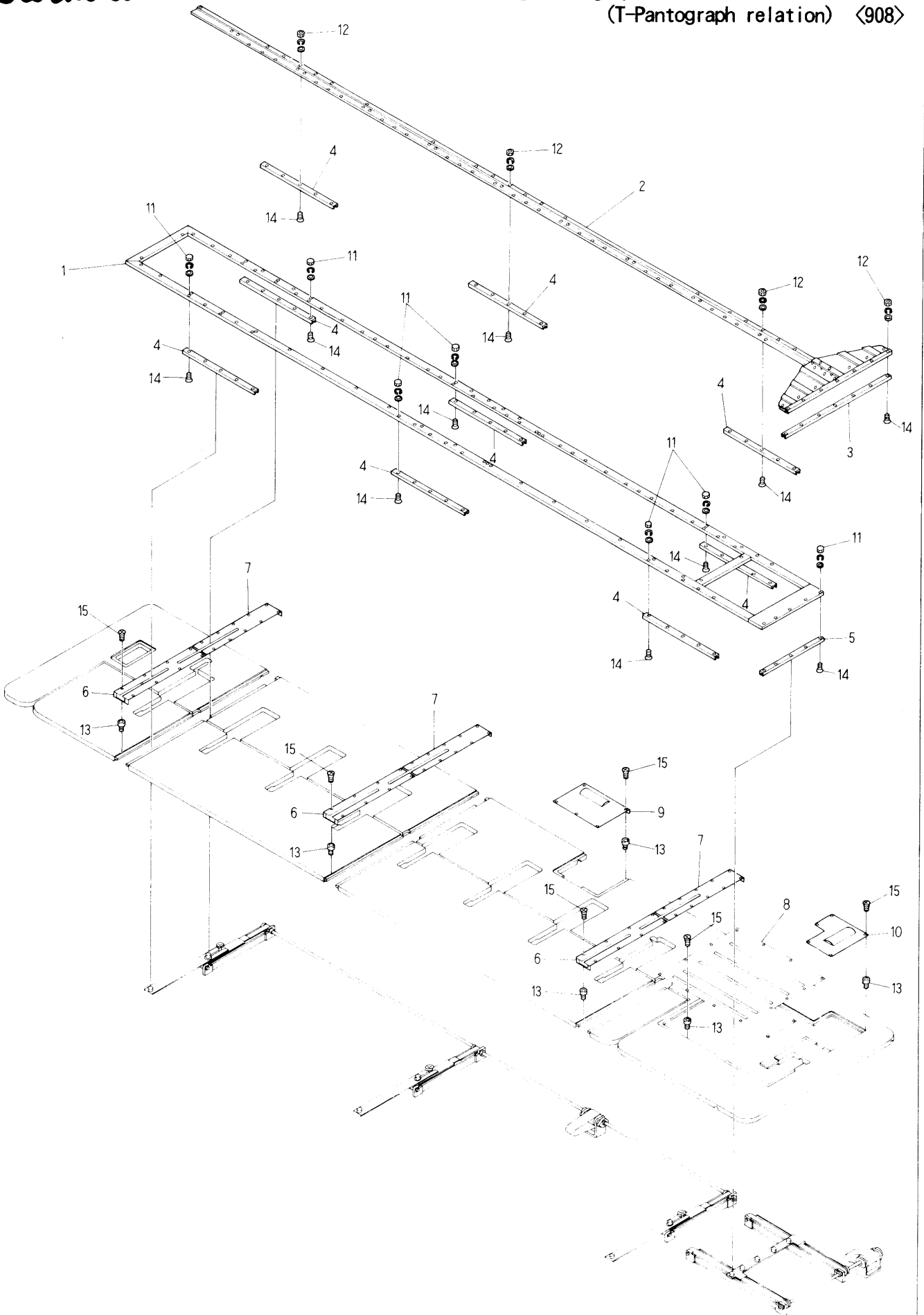






Barudan

㉑ Pantograph drive mechanism II  
(T-Pantograph relation) <908>

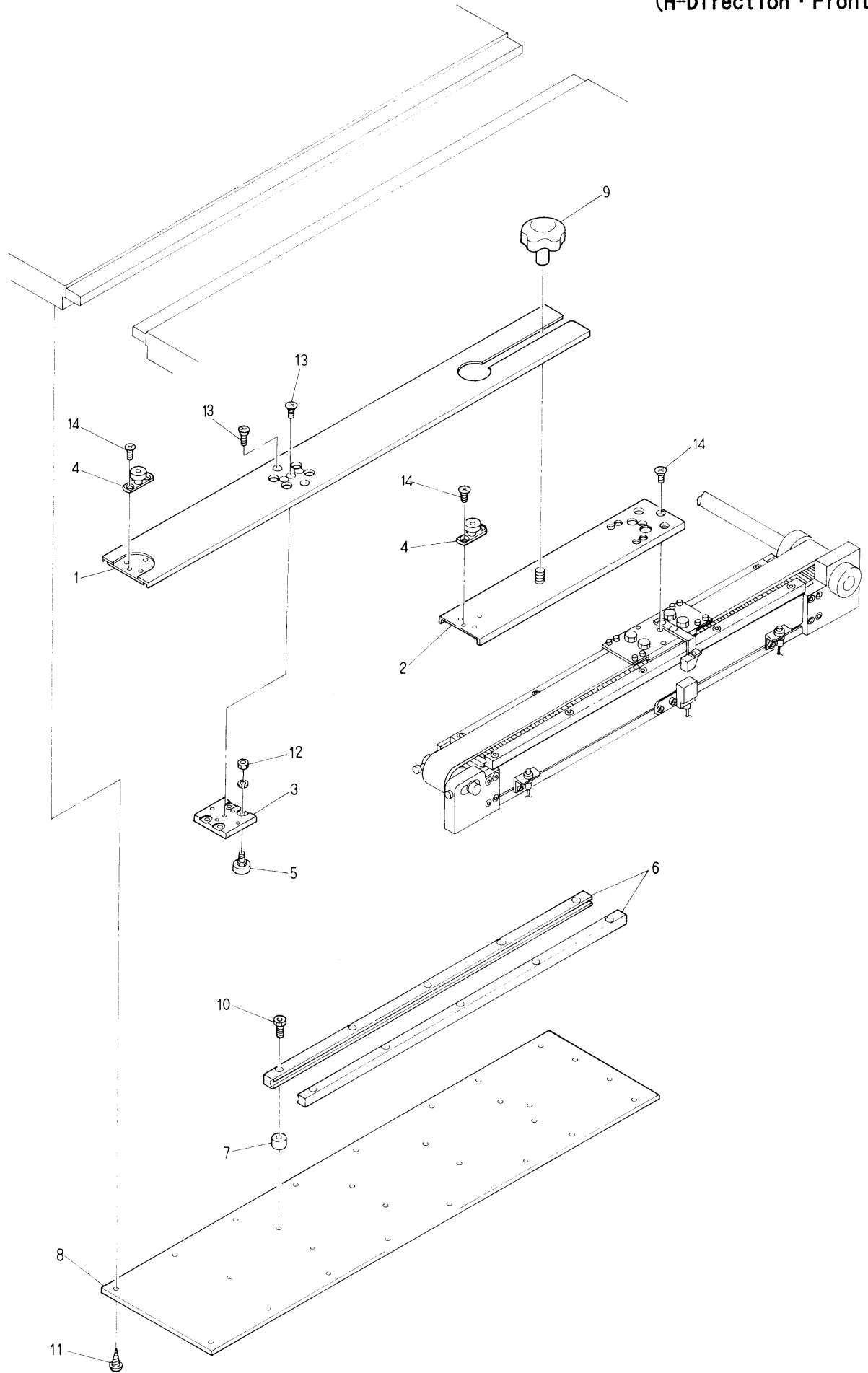


MODEL BEATME-YN



②1 Pantograph drive mechanism II (T-Pantograph relation) <908> (YN・YS use)

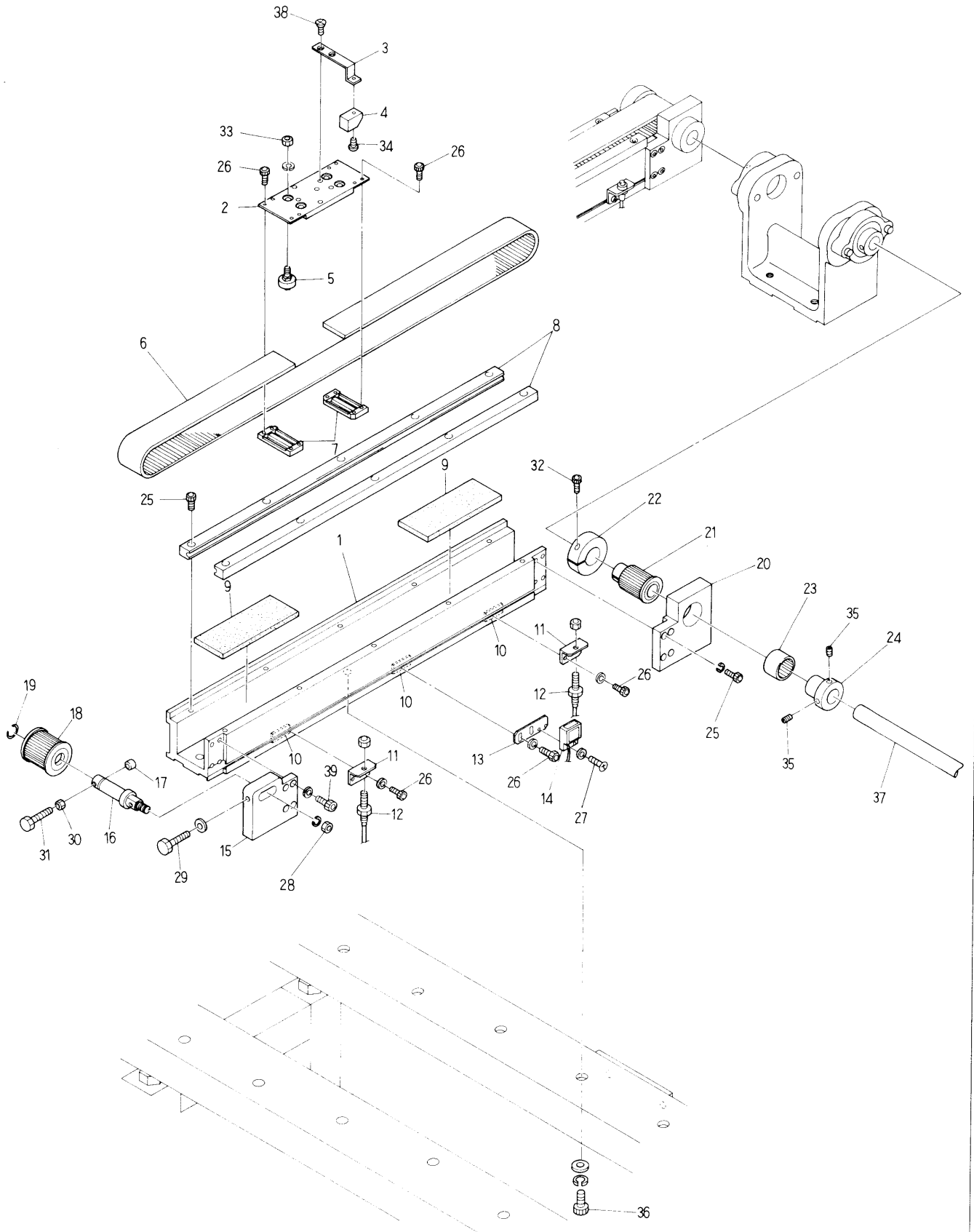
ITEM	LIST No.	DESCRIPTION	Q'TY	REMARK
1	IFKR085205200	Pantograph frame a'ssy (BEATME-908 320×520/520)	1	
2	1WKR085205200	T-Pantograph frame a'ssy (BEATME-908 320×520/520)	1	
3		V-Slide rail (L=815)	1	
4		H-Slide rail (L=580)	6	
5	KR480330	V-Slide rail (L=485)	1	
6	KK480100	V-Slide rail (L=485)	3	
7	KR480250	H-Guide cover (Rear)	3	
8	KR480270	V-Guide cover	1	
9	KR480130	H-Motor cover	1	
10	KR480170	V-Motor cover	1	
11		Cap nut M4		
12		Hex. nut M4		
13		Wash nut (C) M4		
14		Flush screw M4×12		
15		Flush screw M4×6		



②② Pantograph drive mechanismⅢ (H-Direction · Front) (YN·YS use)

(R=H-Rail Q'TY)

ITEM	LIST No.	DESCRIPTION	Q'TY	REMARK
1	KK480120	H-Member connections channel (Front)	R × 1	
2	KR480230	H-Member connections channel (Rear)	R × 1	
3	KK480050	H-Roller base (Front)	R × 1	
4	KK480161	Guide rail bearing shaft	R × 2	
5	HP482950	Roller pin a'ssy A	R × 4	
6	KK480140	V-Rail collar	R × 2	
7	KK480040	H-Rail collar	R × 10	
8	KK480070	H-Guide plate base	R × 1	
9	A9012263	Knob nut	E K 4 0 T (M8)	R × 1
10		Hex. socket bolt	M4 × 15	
11		Wood screw	5.1 × 25	
12		Hex. nut	M5	
13		Flush screw	M4 × 10	
14		Flush screw	M4 × 6	



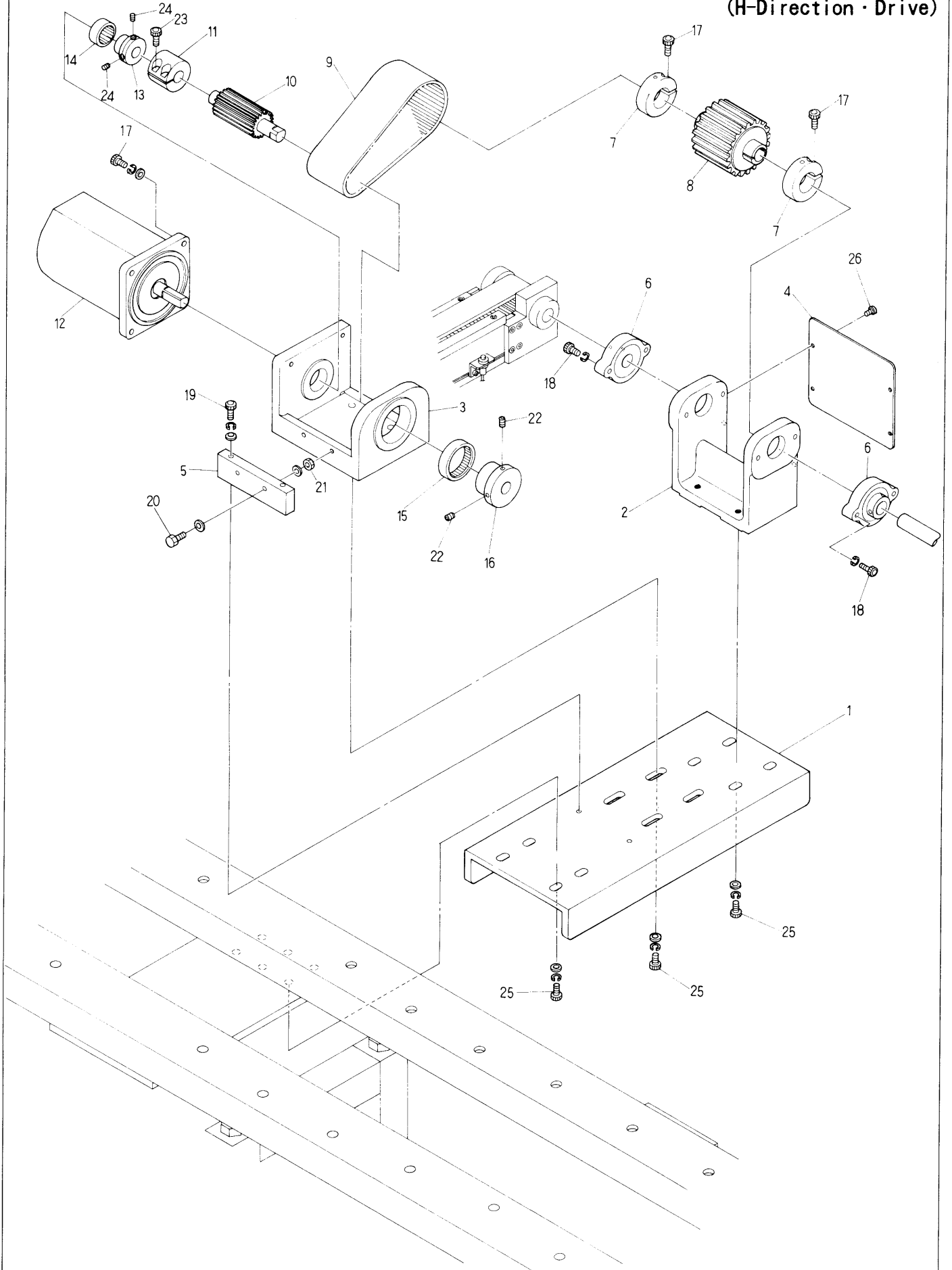
②③ Pantograph drive mechanismIV (H-Direction · Rear) (N·YS use)

(R=H-Rail Q'TY)

ITEM	LIST No	DESCRIPTION	Q'TY	REMARK
1	KR480260	H-Guide rail base (Stroke 320)	R×1	
2	KR480240	H-Roller base (Rear)	R×1	
3	KR480160	H-Pantograph origin point magnet bracket	1	
4	A9052030	Magnet (M-102-02)	1	
5	HP482950	Roller pin a'ssy A	R×4	
6	KR480290	Timing belt T10-30-104	R×1	
7	KR480030	Timing belt set rack	R×2	
8	KK480140	V-Guide rail	R×2	
9	KN480061	Rail base felt (100×38×6)	R×2	
10	KU460270	Plate nut M3	3	
11	MT460240	RS-001 Bracket (V)	2	
12	A9052024	Switch RS-001	2	
13	KN450300	MH-601A Proximity switch fixing bracket	1	
14	A9052031	Magnet proximity switch (MH-601A)	1	
15	KR480060	H·V-Guide front pulley bracket	R×1	
16	HH481991	Timing pulley shaft	R×1	
17	HH482110	Pulley shaft bolt cap	R×1	
18	KR480001	Pantograph driving pulley (Front)	R×1	
19	A9012052	E-Ring φ10	R×1	
20	KR480050	H·V-Guide rear pulley bracket	R×1	
21	KR480011	Pantograph driving pulley (Rear)	R×1	
22	HH481980	Clamping φ19	R×1	
23	A9011110	Needle bearing (HK20166)	R×1	
24	HH481970	Pulse motor connecting shaft collar	R×1	
25		Hex. socket bolt M4×15		
26		Hex. socket bolt M3×6		
27		Truss screw M3×10		
28		Hex. nut M8		
29		Hex. bolt M4×25		
30		Hex. nut M4		
31		Hex. bolt M4×35		
32		Hex. socket bolt M5×18		
33		Hex. nut M5		
34		Truss screw M3×6		
35		Hex. socket set screw M5×8		
36		Hex. socket bolt M8×22 (With plain washer spring washer)		
37	KR470010	H-Pulse motor connecting shaft (BEATME-902 L=1114)	1	
	KR470030	H Pulse motor connecting shaft (BEATME-904 L=1633)	1	
	KR470000	H-Pulse motor connecting shaft (BEATME-906 L=2153)	1	
	KR470020	H-Pulse motor connecting shaft (BEATME-908 L=3193)	1	
38		Truss screw M4×8		
39		Hex. socket bolt M4×18		

Barudan

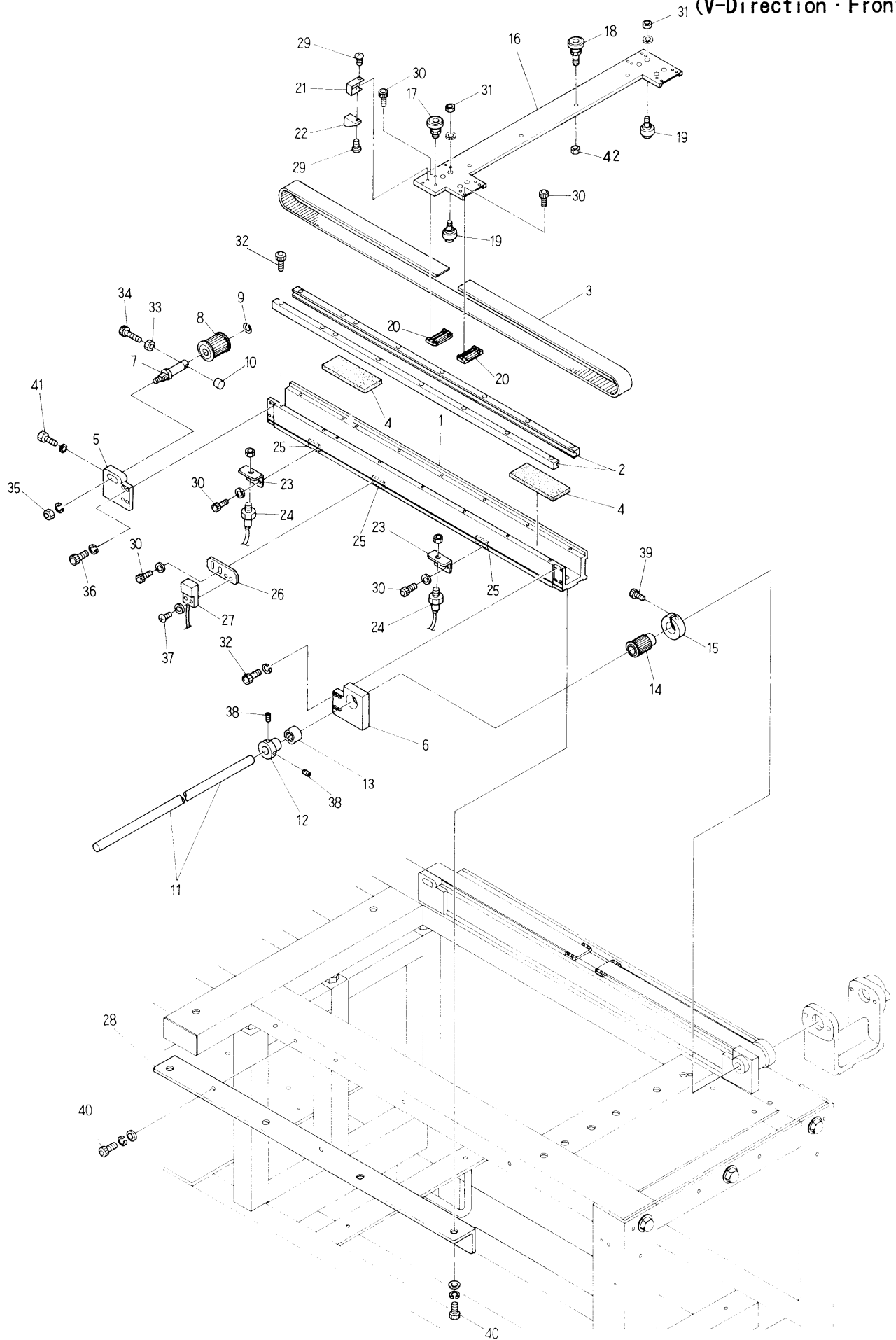
②④ Pantograph drive mechanism V  
(H-Direction · Drive)





Barudan

25 Pantograph drive mechanism VI  
(V-Direction · Front)



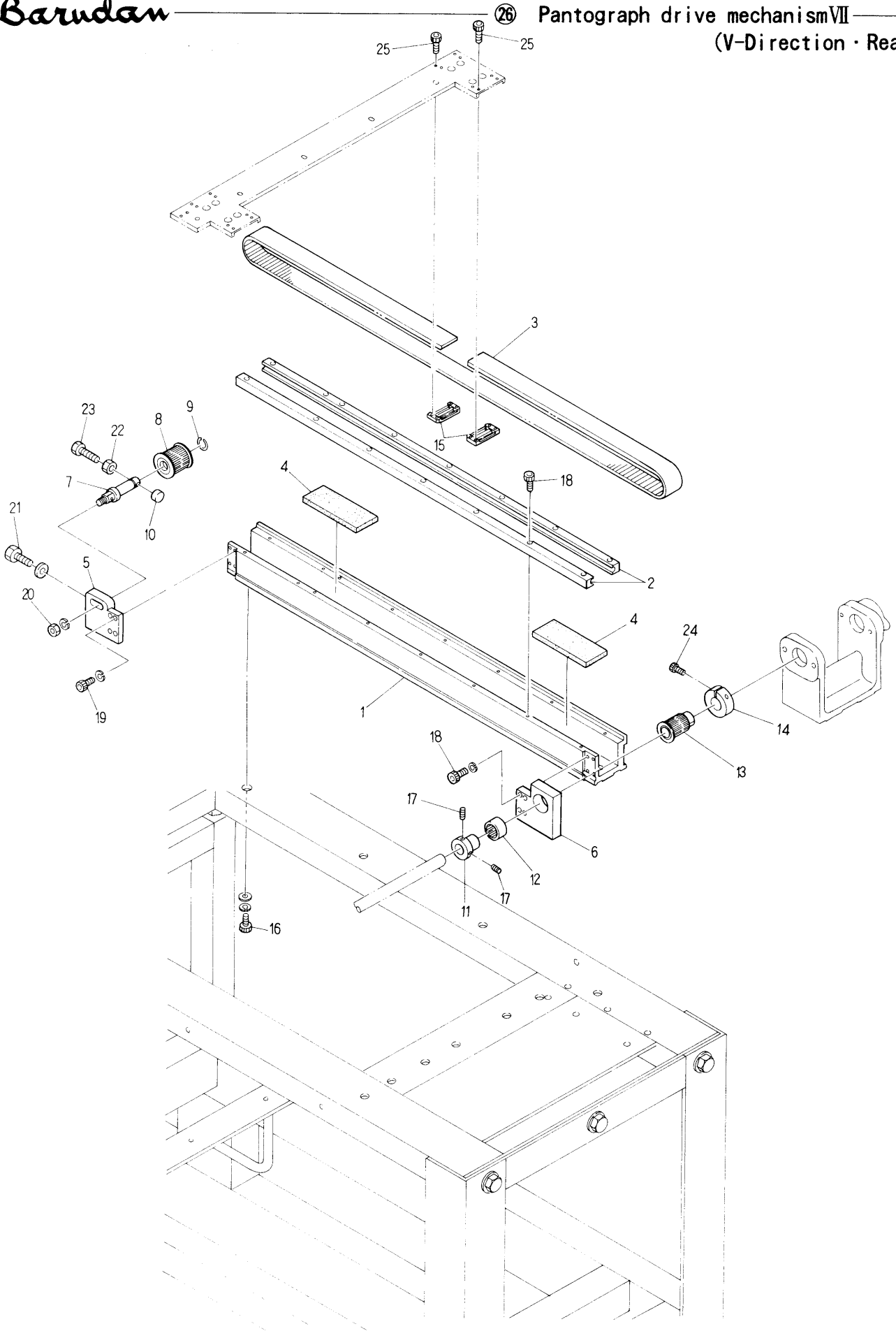


②5 Pantograph drive mechanismVI(V-Direction・Front) (YN・YS use)

ITEM	LIST No	DESCRIPTION	Q'TY	REMARK
1	KR480210	V-Guide rail base	1	
2	KN483450	V-Guide rail (L=660)	2	
3	KR480280	Timing belt (T10-30-153)	1	
4	KN480061	Rail base felt (100×38×6)	2	
5	KR480060	H・V-Guide front pulley bracket	1	
6	KR480050	H・V-Guide front pulley bracket	1	
7	HH481991	Timing pulley shaft	1	
8	KR480000	Pantograph driving pulley (Front)	1	
9	A9012052	E-Ring $\phi$ 10	1	
10	HH482110	Pulley shaft bolt cap	1	
11	KR490000	V-Pulse motor shaft	1	
12	HH481970	Pulse motor connecting shaft collar	1	
13	A9011110	Needle bearing (HK2016)	1	
14	KR480011	Pantograph driving pulley (Rear)	1	
15	HH481980	$\phi$ 19 Clamping	1	
16	KR480220	V-Roller base	1	
17	HP483370	Guide rail bearing pin a'ssy	1	
18	HP483111	Guide rail bearing pin a'ssy B	4	
19	HP482950	Roller pin a'ssy A	8	
20	KR480030	Timing belt set rack	2	
21	KN450311	V-Pantograph origin point magnet bracket	1	
22	A9052030	Magnet M-102A-02	1	
23	MT460240	RS-001 Bracket (V側)	2	
24	A9052024	Switch RS-001	2	
25	KU460270	Plate nut M3	3	
26	KN450300	MH-601A Proximity switch fixing bracket	1	
27	A9052031	Magnet proximity switch (MH-601A)	1	
28	KR480070	V-Guide rail base bracket	1	
29		Truss screw M3×6		
30		Hex. socket bolt M3×6		
31		Hex. nut M5		
32		Hex. socket bolt M4×15		
33		Hex. nut M4		
34		Hex. socket bolt M4×15		
35		Hex. nut M4		
36		Hex. bolt M4×35		
37		Hex. nut M8		
38		Hex. socket bolt M4×18		
39		Truss screw M3×10		
40		Hex. socket set screw M5×8		
41		Hex. socket bolt M5×18		
42		Hex. socket bolt M8×20		
43		Hex. bolt M1×25		
44		Hex. nut M6		

Barudan

26 Pantograph drive mechanism VII  
(V-Direction · Rear)

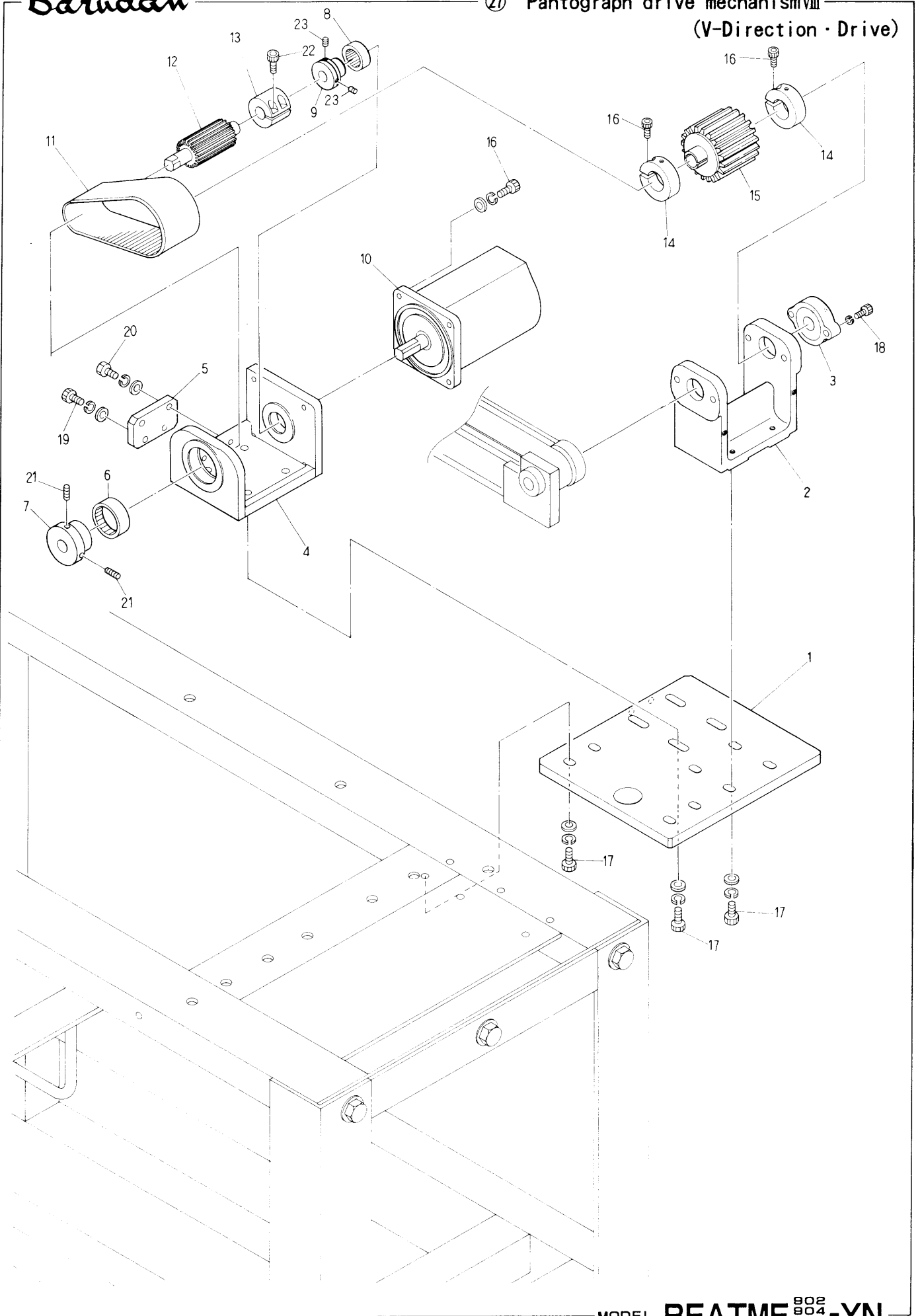


㊦ Pantograph drive mechanismVII(V-Direction · Rear) (YN · YS use)

ITEM	LIST No.	DESCRIPTION	Q'TY	REMARK
1	KR 4 8 0 2 1 0	V-Guide rail base	1	
2	KN 4 8 3 4 5 0	V-Guide rail (L=660)	2	
3	KR 4 8 0 2 8 0	Timing belt (T10-30-153)	1	
4	KN 4 8 0 0 6 1	Rail base felt (100×38×6)	2	
5	KR 4 8 0 0 6 0	H · V-Guide front pulley bracket	1	
6	KR 4 8 0 0 5 0	H · V-Guide rear pulley bracket	1	
7	HH 4 8 1 9 9 1	Timing pulley shaft	1	
8	KR 4 8 0 0 0 1	Pantograph driving pulley (Front)	1	
9	A 9 0 1 2 0 5 2	E-Ring φ10	1	
10	HH 4 8 2 1 1 0	Pulley shaft bolt cap	1	
11	HH 4 8 1 9 7 0	Pulse motor connecting shaft collar	1	
12	A 9 0 1 1 1 1 0	Needle bearing (HK2016)	1	
13	KR 4 8 0 0 1 1	Pantograph driving pulley (Rear)	1	
14	HH 4 8 1 9 8 0	φ19 Clamping	1	
15	KR 4 8 0 0 3 0	Timing belt set rack	2	
16		Hex. socket bolt M8×20		
17		Hex. socket set screw M5×8		
18		Hex. socket bolt M4×15		
19		Hex. socket bolt M4×18		
20		Hex. nut M8		
21		Hex. bolt M4×25		
22		Hex. nut M4		
23		Hex. bolt M4×40		
24		Hex. socket bolt M5×18		
25		Hex. socket bolt M3×6		

Barudan

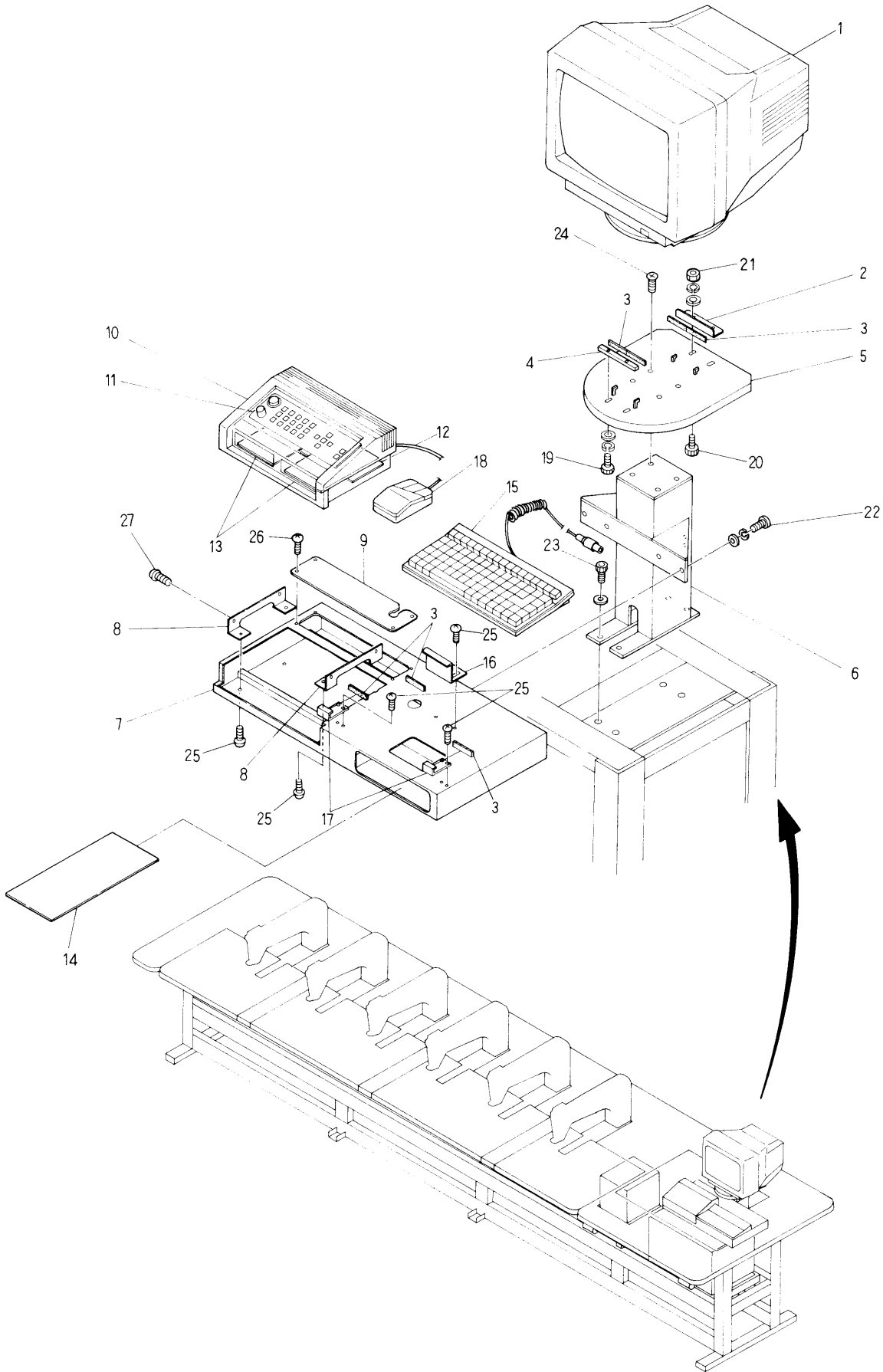
②⑦ Pantograph drive mechanism VIII  
(V-Direction Drive)



MODEL BEATME 88002  
88004  
88008  
-YN

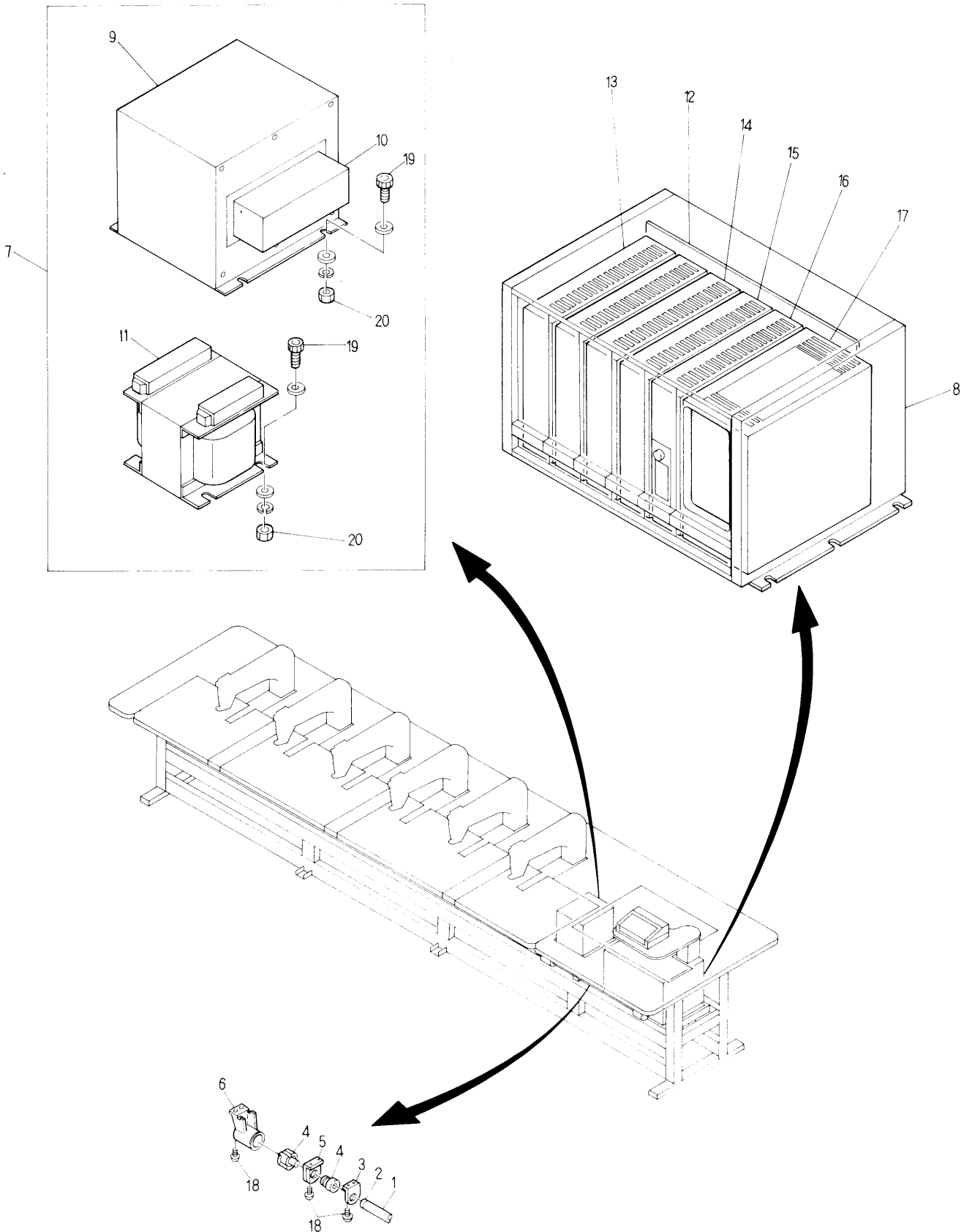
②⑦ Pantograph drive mechanismⅧ(V-Direction・Drive) (YN・YS use)

ITEM	LIST No.	DESCRIPTION	Q'TY	REMARK
1	KR480140	Driving base (V)	1	
2	KR480020	Bearing bracket	1	
3	HP321140	Upper shaft connecting bearing unit (SBFLN02)	1	
4	KR480080	H・V-Motor bracket	1	
5	KR480190	Tension plate	1	
6	A9010056	Needle bearing (HK-3516)	1	
7	KR480100	Pantograph driving pulley bearing collar	1	
8	A9011111	Needle bearing (TLA-2012Z)	1	
9	KR480090	Pulse motor bearing collar	1	
10	EBN01810	Pulse motor (EM5913H-NA-A1)	1	906 908
	EBN01820	Pulse motor (EM599H-NA-A1)	1	902 904
11	A9020145	Timing belt (T10-50-37)	1	
12	KR480121	Pantograph driving pulley Small (Motor side)	1	
13	KR480040	Pantograph driving pulley connecting coupling	1	
14	KF320520	Connecting gear clamp	2	
15	KR480110	Pantograph driving pulley Large (Shaft side)	1	
16		Hex. socket bolt M6×22		
17		Hex. socket bolt M8×30		
18		Hex. socket bolt M6×30		
19		Hex. socket bolt M6×20		
20		Hex. bolt M6×20		
21		Hex. socket set screw M5×10		
22		Hex. socket bolt M5×20		
23		Hex. socket screw M5×6		



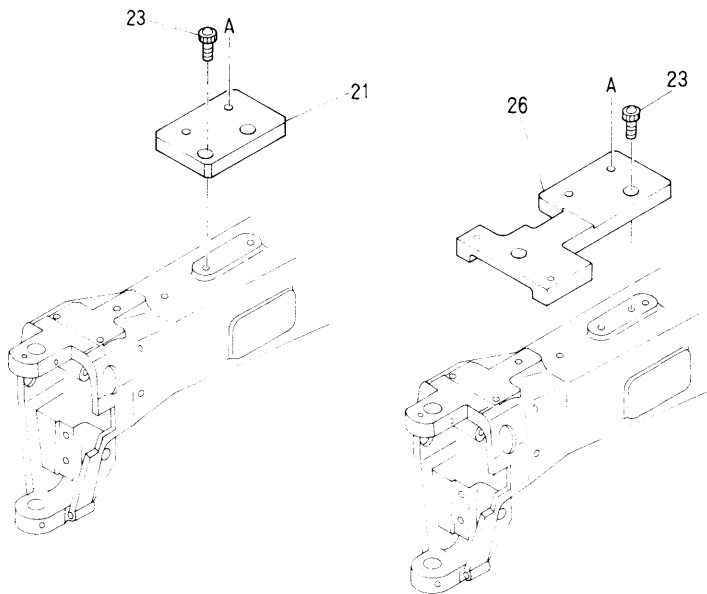
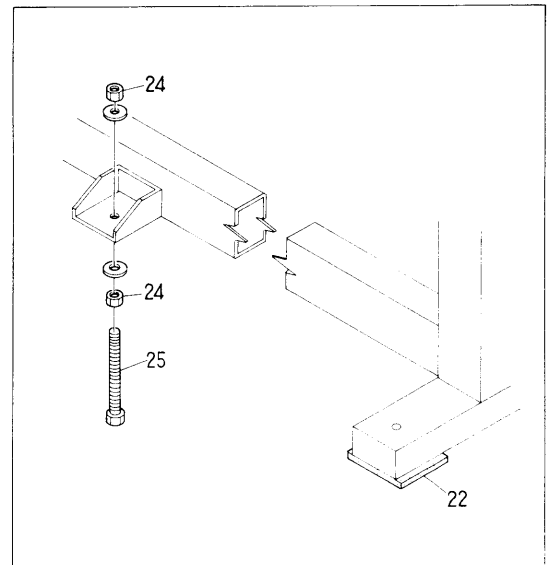
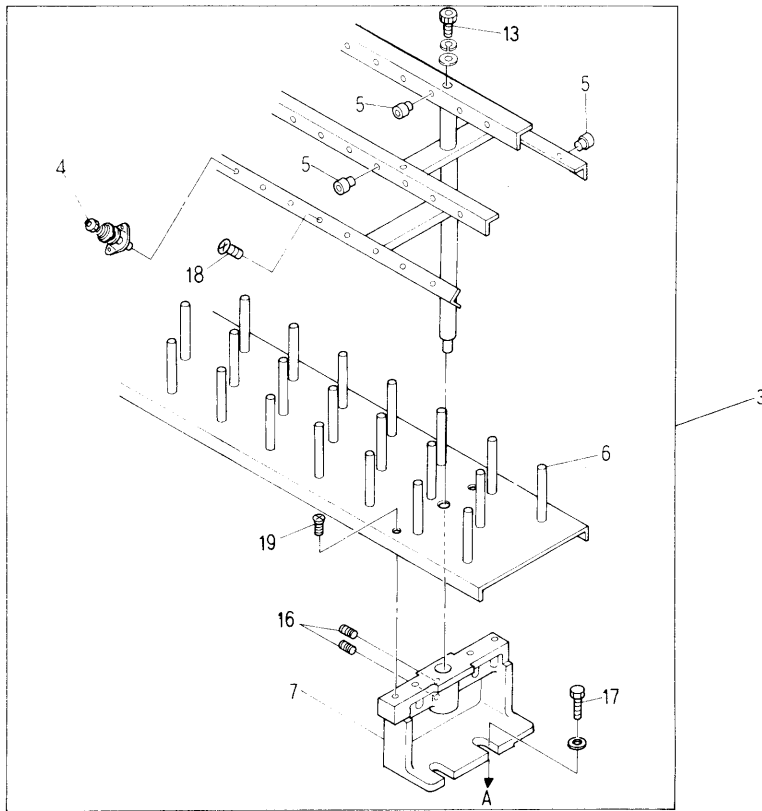
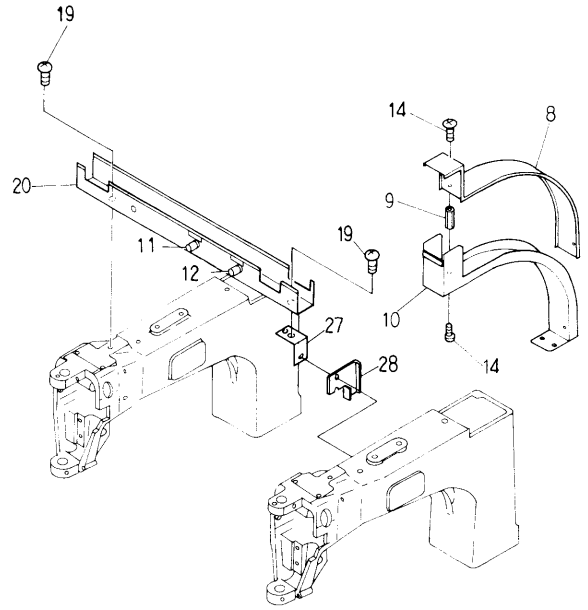
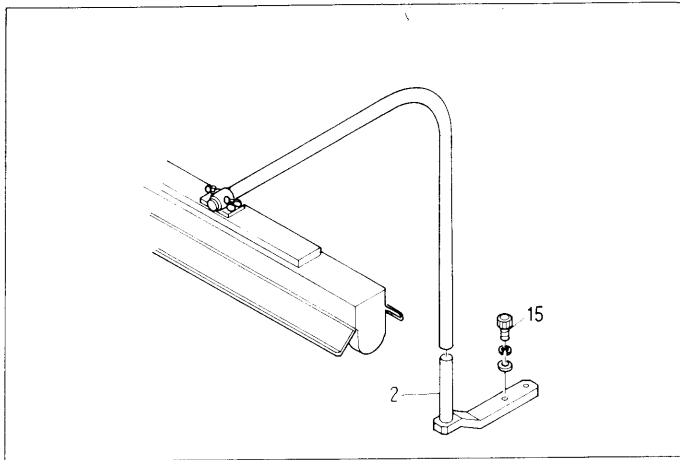
Ⓗ Control system I (YN・YS use)

ITEM	LIST No.	DESCRIPTION	Q'TY	REMARK
1	EAN058A5	BEAT900 14" Color monitor	1	
2	KR510100	CRT Set bracket	1	
3	KR510090	Sheet	7	
4	KR510080	CRT Set block	1	
5	KR510070	CRT Fixing base	1	
6	KR510030	CRT Fixing strut	1	
7	KR510050	Control box fixing base	1	
8	KR510000	Control box fixing bracket	2	
9	KR510110	Wiring cover	1	
10	EAN058A3	BEAT900 Pendant	1	
11	EBN01940	260-225 Terminal key board (With control bar)	1	
12	EBN01950	2001-025 Terminal board	1	
13	EBN02090	BEAT900 3.5FDD(720KB/1.44MB)	2	
14	KR510060	Control box sheet	1	
15	EBN01790	260-222 key board	1	
16	KR510020	Key board presser B	1	
17	KR510010	Key board presser A	2	
18	EBN01780	BEAT900 Mouse	1	
19		Hex. socket bolt M4×12		
20		Hex. socket flange bolt M4×12		
21		Hex. nut M4		
22		Truss screw M5×18		
23		Hex. socket bolt M6×20		
24		Flush screw M5×15		
25		Truss screw M4×10		
26		Truss screw M4×6		
27		Truss screw M4×8		







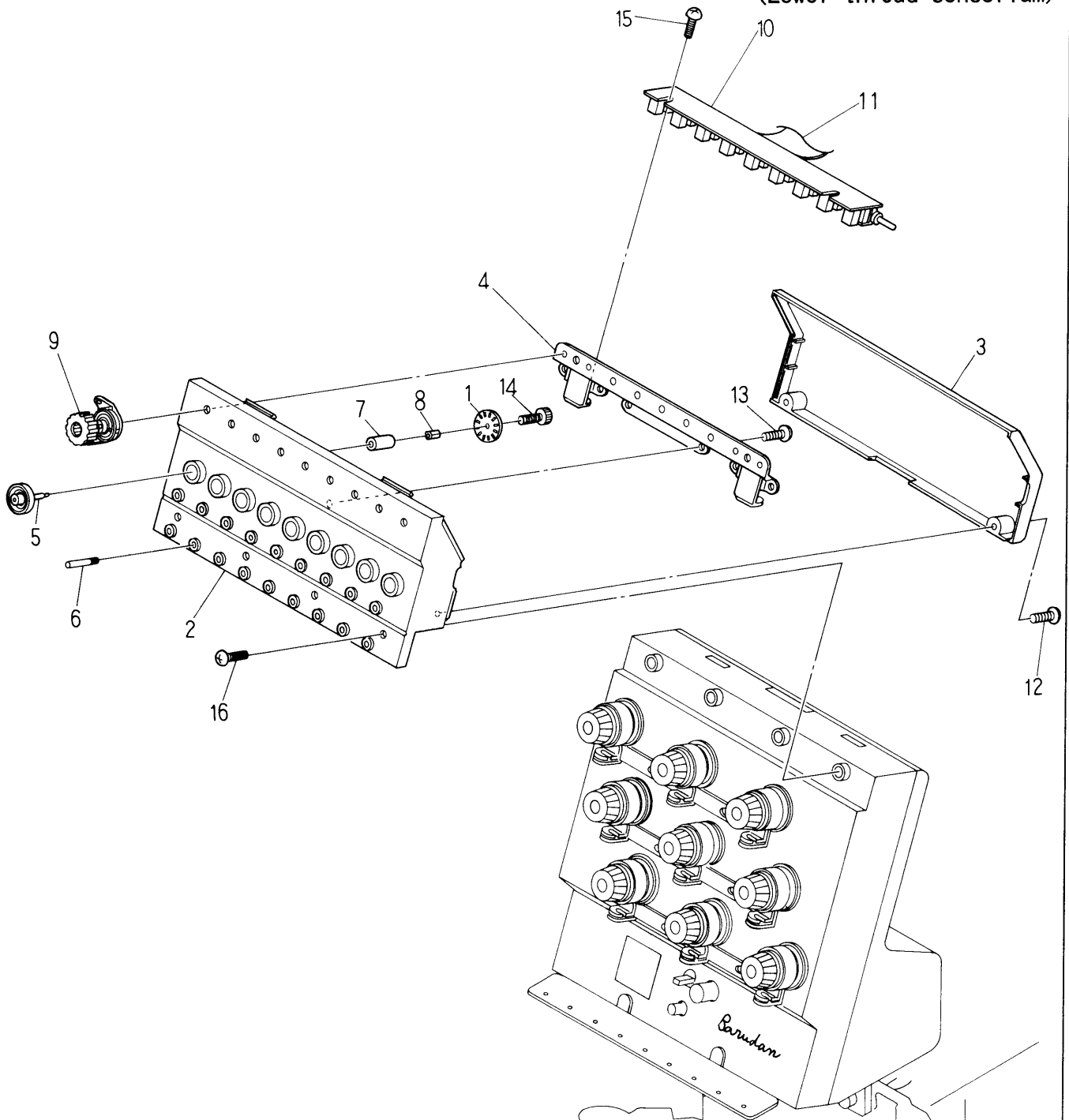


③ 0 p t i o n (N·YS use)

ITEM	LIST No	DESCRIPTION	QTY	REMARK
1	KF710300	Fluorescent lamp set LRP 4012K 15/16LG (904 906 100V)	1	
	KF710100	Fluorescent lamp set LRP 4012K 25LG (904 906 200V)	1	
	HH710300	Fluorescent lamp set LRP 4013K 15/16LG (908 100V)	1	
	HH710100	Fluorescent lamp set LRP 4013K 25LG (908 200V)	1	
2	KG710161	Fluorescent lamp stand base		904 906...2 908...3
3	2CKR902380	Spool holder (BEATME-902-YN)	1	
	2CKR904380	Spool holder (BEATME-904-YN)	1	
	2CKR906380	Spool holder (BEATME-906-YN)	1	
	2CKR908380	Spool holder (BEATME-908-YS)	1	
4	HP241430	Second tension unit complete (D=13.5)		
5	KF240900	Thread guide ceramic (For spool stand)		
6	KF710280	Arm spool pin		
7	HP710791	Spool holder base		902...2 904 906...4 908...5
8	KR510130	Cable duct No.4 cover	1	
9	MT510791	Nut for cable duct	2	
10	KR510120	Cable duct No.4	1	
11	A9052036	Push button switch SB-221N/O OFF Red		902...1 904...3 906...4 908...5
12	A9052032	Push button switch SB-221N/O OFF Green		902...1 904...3 906...4 908...5
13		Hex. socket bolt M8×45		
14		Pan screw M4×6		
15		Hex. socket bolt M6×15		
16		Hex. socket set screw M5×8		
17		Hex. bolt M8×20		
18		Flush screw M5×6		
19		Flush screw M4×12		
20	1UKR02520	Duct cable (BEATME-902 P520)	1	
	1UKR04520	Duct cable (BEATME-904 P520)	1	
	1UKR06520	Duct cable (BEATME-906 P520)	1	
	1UKR08520	Duct cable (BEATME-908 P520)	1	
21	KR330160	Spool holder spaser	1	
22	KC110970	Machine base pad P1021 (100×100)	1	
23		Hex. socket bolt M4×18		
24		Hex. nut M16		
25		Hex. bolt M16×130	1	
26	KR330170	Spool holder fixing base	2	Standerd
27	KR330020	Duct holder bracket	1	
28	KL250051	Arm side cable cover	1	
29		Hex. socket bolt M4×20		

Barudan

③ Thread guide mechanism  
(Lower thread sensorium)

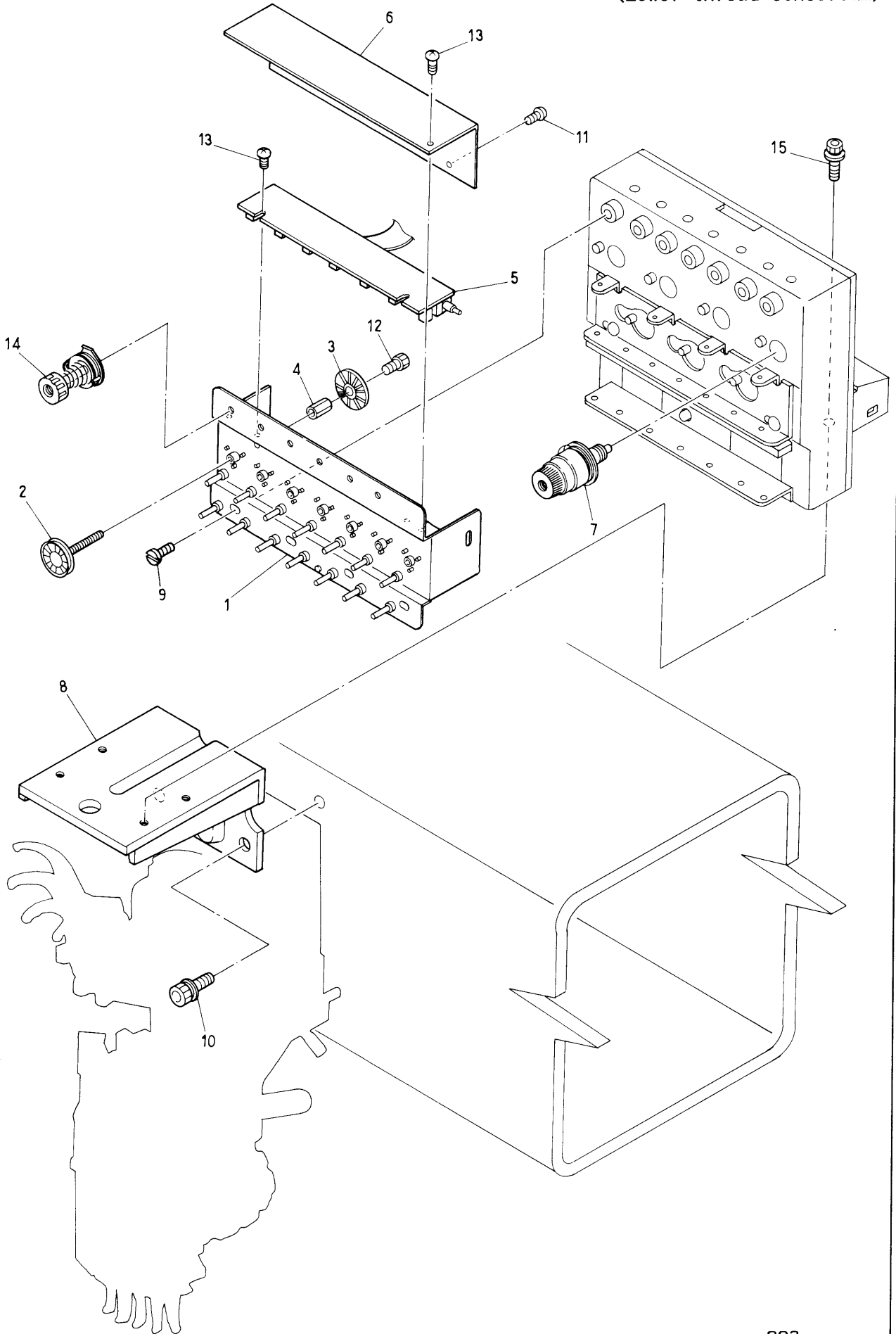


MODEL BEATME 902-YN  
904  
906  
908



Barudan

③① Thread guide mechanism  
(Lower thread sensorium)



MODEL BEATME 902-YS  
904  
906  
908







# I N D E X

L I S T No.	PAGE No.	ITEM	L I S T No.	PAGE No.	ITEM
1AKR025205201	4	1	A 9 0 1 0 0 3 6	7 2	1 7
1AKR045205201	6	1	A 9 0 1 0 0 5 6	8 6	1 5
1AKR065205201	8	1	A 9 0 1 0 0 5 6	9 2	6
1AKR085205201	1 0	1	A 9 0 1 1 0 2 1	2 8	7
1BKR025205200	4	2	A 9 0 1 1 0 2 1	3 0	7
1BKR045205200	6	2	A 9 0 1 1 0 2 1	3 2	2 1
1BKR065205200	8	2	A 9 0 1 1 0 2 1	3 4	2 1
1BKR085205200	1 0	2	A 9 0 1 1 0 2 2	3 2	2 3
1FKR025205200	7 4	1	A 9 0 1 1 0 2 2	3 4	2 3
1FKR045205200	7 6	1	A 9 0 1 1 0 2 3	3 2	2 0
1FKR065205200	7 8	1	A 9 0 1 1 0 2 3	3 4	2 0
1FKR085205200	8 0	1	A 9 0 1 1 1 0 7	2 0	7
1KKR025205201	4	3	A 9 0 1 1 1 1 0	8 4	2 3
1KKR045205201	6	3	A 9 0 1 1 1 1 0	8 8	1 3
1KKR065205201	8	3	A 9 0 1 1 1 1 0	9 0	1 2
1KKR085205201	1 0	3	A 9 0 1 1 1 1 1	8 6	1 4
1PKR02520	6 8	1 3	A 9 0 1 1 1 1 1	9 2	8
1PKR04520	6 8	1 3	A 9 0 1 1 1 1 5	3 6	9
1PKR06520	6 8	1 3	A 9 0 1 1 1 1 5	3 8	9
1PKR08520	6 8	1 3	A 9 0 1 1 1 3 1	7 2	2 3
1UKR02520	9 8	2 0	A 9 0 1 1 1 3 2	7 2	2 5
1UKR04520	9 8	2 0	A 9 0 1 1 1 5 2	2 8	6
1UKR06520	9 8	2 0	A 9 0 1 1 1 5 2	3 0	6
1UKR08520	9 8	2 0	A 9 0 1 2 0 0 2	5 8	5
1WKR025205200	7 4	2	A 9 0 1 2 0 0 7	2 2	3 4
1WKR045205200	7 6	2	A 9 0 1 2 0 0 7	2 4	2 3
1WKR065205200	7 8	2	A 9 0 1 2 0 0 7	2 6	2 6
1WKR085205200	8 0	2	A 9 0 1 2 0 0 7	1 0 2	9
2AKR025205201	4	4	A 9 0 1 2 0 2 7	2 4	1 6
2AKR045205201	6	4	A 9 0 1 2 0 3 2	4	2 1
2AKR065205201	8	4	A 9 0 1 2 0 3 2	6	2 1
2AKR085205201	1 0	4	A 9 0 1 2 0 3 2	8	2 1
2BKR025205201	1 2	1	A 9 0 1 2 0 3 2	1 0	2 1
2BKR045205200	1 4	1	A 9 0 1 2 0 5 1	4 0	2 0
2BKR065205200	1 6	1	A 9 0 1 2 0 5 1	4 2	2 0
2BKR085205200	1 8	1	A 9 0 1 2 0 5 2	8 4	1 9
2CKR902380	9 8	3	A 9 0 1 2 0 5 2	8 8	9
2CKR904380	9 8	3	A 9 0 1 2 0 5 2	9 0	9
2CKR906380	9 8	3	A 9 0 1 2 0 5 3	3 2	3 1
2CKR908380	9 8	3	A 9 0 1 2 0 5 3	3 4	3 1
A 9 0 1 0 0 1 7	2 2	5	A 9 0 1 2 0 5 6	5 4	8
A 9 0 1 0 0 2 1	6 0	7	A 9 0 1 2 0 5 6	5 6	8
A 9 0 1 0 0 2 1	6 2	7	A 9 0 1 2 0 6 4	7 2	2 2
A 9 0 1 0 0 3 3	6 0	4	A 9 0 1 2 1 1 4	2 6	2 7
A 9 0 1 0 0 3 3	6 2	4	A 9 0 1 2 1 6 2	6 0	8

# I N D E X

L I S T No.	PAGE No.	ITEM	L I S T No.	PAGE No.	ITEM
A 9 0 1 2 1 6 2	6 2	8	A 9 0 5 2 0 3 1	8 8	2 7
A 9 0 1 2 1 6 4	2 8	2 9	A 9 0 5 2 0 3 2	9 8	1 2
A 9 0 1 2 1 6 4	3 0	2 9	A 9 0 5 2 0 3 6	9 8	1 1
A 9 0 1 2 1 6 4	7 2	2 4	A 9 0 5 4 0 4 1	6 0	2 0
A 9 0 1 2 1 9 0	3 6	4	A 9 0 5 4 0 4 1	6 2	2 0
A 9 0 1 2 1 9 0	3 8	4	A 9 0 5 6 0 0 8	2 6	2
A 9 0 1 2 2 3 1	2 0	8	A 9 0 5 6 0 1 2	2 6	1
A 9 0 1 2 2 3 3	6 0	3	A 9 0 5 6 0 1 3	5 4	1 3
A 9 0 1 2 2 3 3	6 2	3	A 9 0 5 6 0 1 3	5 6	1 3
A 9 0 1 2 2 5 0	1 0	2 0	A 9 0 5 6 0 1 8	5 2	1
A 9 0 1 2 2 5 0	2 0	6	A 9 0 5 6 0 2 0	4 0	6
A 9 0 1 2 2 5 5	2 0	1 1	A 9 0 5 6 0 2 0	4 2	6
A 9 0 1 2 2 5 9	4	2 0	A 9 0 6 5 0 2 6	5 8	1 8
A 9 0 1 2 2 5 9	6	2 0	EAN05830A4	9 6	8
A 9 0 1 2 2 5 9	8	2 0	E A N 0 5 8 A 2	9 6	7
A 9 0 1 2 2 6 3	8 2	9	E A N 0 5 8 A 3	9 4	1 0
A 9 0 1 2 2 6 4	7 2	2 7	E A N 0 5 8 A 5	9 4	1
A 9 0 1 2 2 6 6	1 2	8	E A N 0 6 1 A 2	9 6	7
A 9 0 1 2 2 6 6	1 4	8	E A N 0 6 3 A 2	9 6	7
A 9 0 1 2 2 6 6	1 6	8	E B N 0 1 6 9 0	9 6	1 7
A 9 0 1 2 2 6 6	1 8	8	E B N 0 1 7 0 0	9 6	1 6
A 9 0 1 2 2 6 7	6 4	7	E B N 0 1 7 1 0	9 6	1 5
A 9 0 1 2 2 6 7	6 6	7	E B N 0 1 7 2 0	9 6	1 4
A 9 0 1 2 2 9 1	3 2	1 7	E B N 0 1 7 3 0	9 6	1 3
A 9 0 1 2 2 9 1	3 4	1 7	E B N 0 1 7 5 0	9 6	1 2
A 9 0 1 2 3 2 0	7 0	1 7	E B N 0 1 7 8 0	9 4	1 8
A 9 0 1 3 0 6 6	2 6	2 1	E B N 0 1 7 9 0	9 4	1 5
A 9 0 1 3 0 6 6	5 2	1 8	E B N 0 1 8 1 0	8 6	1 2
A 9 0 1 4 0 5 1	4 0	1 9	E B N 0 1 8 1 0	9 2	1 0
A 9 0 1 4 0 5 1	4 2	1 9	E B N 0 1 8 2 0	8 6	1 2
A 9 0 1 4 0 5 5	3 2	1 9	E B N 0 1 8 2 0	9 2	1 0
A 9 0 1 4 0 5 5	3 4	1 9	E B N 0 1 9 4 0	9 4	1 1
A 9 0 1 4 0 6 3	2 2	3 8	E B N 0 1 9 5 0	9 4	1 2
A 9 0 2 0 1 4 5	8 6	9	E B N 0 2 0 9 0	9 4	1 3
A 9 0 2 0 1 4 5	9 2	1 1	E B N 0 2 1 8 4	4 4	1 2
A 9 0 2 0 2 0 0	7 0	1 3	E B N 0 2 1 8 4	4 6	1 2
A 9 0 5 1 0 3 3	6 4	2	E B N 0 2 1 8 4	4 8	1 2
A 9 0 5 1 0 3 3	6 6	2	E B N 0 2 1 8 4	5 0	1 2
A 9 0 5 2 0 0 5	5 8	1 2	E B N 0 2 1 8 5	6 0	1 8
A 9 0 5 2 0 2 4	8 4	1 2	E B N 0 2 1 8 5	6 2	1 8
A 9 0 5 2 0 2 4	8 8	2 4	E B Y 0 0 9 1 0	1 0 2	5
A 9 0 5 2 0 2 8	5 2	1 1	E B Y 0 0 9 2 0	1 0 2	5
A 9 0 5 2 0 3 0	8 4	4	F R 6 0 0 5 2 8	7 2	2
A 9 0 5 2 0 3 0	8 8	2 2	F R 6 0 0 5 2 9	7 2	3
A 9 0 5 2 0 3 1	8 4	1 4	FR92300290A	7 2	1

# I N D E X

L I S T No.	PAGE No.	ITEM	L I S T No.	PAGE No.	ITEM
HB 2 3 0 1 4 0	3 2	2 2	HB 2 4 0 0 9 0	4 2	2 1
HB 2 3 0 1 4 0	3 4	2 2	HB 2 4 0 1 1 0	4 0	1 7
HB 2 3 0 1 6 0	2 8	2 0	HB 2 4 0 1 1 0	4 2	1 7
HB 2 3 0 1 6 0	3 0	2 0	HB 2 4 0 2 6 0	4 6	1 1
HB 2 3 0 1 7 0	3 2	2 4	HB 2 4 0 2 6 0	5 0	1 1
HB 2 3 0 1 7 0	3 4	2 4	HB 2 4 0 2 7 0	4 6	1 1
HB 2 3 0 2 7 0	2 8	2 1	HB 2 4 0 2 7 0	5 0	1 1
HB 2 3 0 2 7 0	3 0	2 1	HB 2 4 0 3 1 0	4 0	8
HB 2 3 0 3 7 2	3 6	1 0	HB 2 4 0 3 1 0	4 2	8
HB 2 3 0 3 7 2	3 8	1 0	HB 2 4 0 3 3 0	4 0	1 2
HB 2 3 0 3 8 3	3 6	5	HB 2 4 0 3 3 0	4 2	1 2
HB 2 3 0 3 8 3	3 8	5	HB 2 4 0 3 4 0	4 0	1 1
HB 2 3 0 3 9 0	3 6	3	HB 2 4 0 3 4 0	4 2	1 1
HB 2 3 0 3 9 0	3 8	3	HB 5 4 0 0 4 0	1 0 2	1
HB 2 3 0 4 0 1	3 6	1	HB 5 4 0 0 5 0	1 0 2	1
HB 2 3 0 4 0 1	3 8	1	HB 5 4 0 0 6 0	1 0 2	6
HB 2 3 0 4 1 4	3 6	1 2	HB 7 9 0 0 3 0	4 4	3 6
HB 2 3 0 4 1 4	3 8	1 2	HB 7 9 0 0 3 0	4 6	3 2
HB 2 3 0 4 2 0	3 6	1 1	HB 7 9 0 0 3 0	4 8	1 3
HB 2 3 0 4 2 0	3 8	1 1	HB 7 9 0 0 3 0	5 0	3 0
HB 2 3 0 4 6 0	4 0	5	HH 3 3 0 8 1 0	6 0	1 2
HB 2 3 0 5 6 0	4 0	7	HH 3 3 0 8 1 0	6 2	1 2
HB 2 3 0 5 6 0	4 2	7	HH 4 8 1 9 7 0	8 4	2 4
HB 2 3 0 5 8 0	4 0	1 3	HH 4 8 1 9 7 0	8 8	1 2
HB 2 3 0 5 8 0	4 2	1 3	HH 4 8 1 9 7 0	9 0	1 1
HB 2 3 0 5 9 0	3 6	2	HH 4 8 1 9 8 0	8 4	2 2
HB 2 3 0 5 9 0	3 8	2	HH 4 8 1 9 8 0	8 8	1 5
HB 2 3 0 6 3 0	4 2	3	HH 4 8 1 9 8 0	9 0	1 4
HB 2 3 0 6 5 0	2 8	3 5	HH 4 8 1 9 9 1	8 4	1 6
HB 2 3 0 6 5 0	3 0	3 5	HH 4 8 1 9 9 1	8 8	7
HB 2 3 0 7 5 0	2 8	2 2	HH 4 8 1 9 9 1	9 0	7
HB 2 3 0 7 5 0	3 0	2 2	HH 4 8 2 1 1 0	8 4	1 7
HB 2 4 0 0 2 0	4 0	1 4	HH 4 8 2 1 1 0	8 8	1 0
HB 2 4 0 0 2 0	4 2	1 4	HH 4 8 2 1 1 0	9 0	1 0
HB 2 4 0 0 3 0	4 0	1 5	HH 7 1 0 1 0 0	9 8	1
HB 2 4 0 0 3 0	4 2	1 5	HH 7 1 0 3 0 0	9 8	1
HB 2 4 0 0 4 0	4 0	9	HP 2 3 1 3 9 0	2 2	1 3
HB 2 4 0 0 4 0	4 2	9	HP 2 4 1 1 1 2	4 6	6
HB 2 4 0 0 5 0	4 0	1 0	HP 2 4 1 1 1 2	5 0	6
HB 2 4 0 0 5 0	4 2	1 0	HP 2 4 1 1 2 2	4 6	6
HB 2 4 0 0 7 0	4 0	1 8	HP 2 4 1 1 2 2	5 0	6
HB 2 4 0 0 7 0	4 2	1 8	HP 2 4 1 1 5 0	4 6	2
HB 2 4 0 0 8 0	4 0	2 2	HP 2 4 1 1 5 0	5 0	2
HB 2 4 0 0 8 0	4 2	2 2	HP 2 4 1 1 6 0	4 6	7
HB 2 4 0 0 9 0	4 0	2 1	HP 2 4 1 1 6 0	5 0	7

# I N D E X

L I S T No.	PAGE No.	ITEM	L I S T No.	PAGE No.	ITEM
HP 2 4 1 1 7 0	4 6	3	HT 2 3 0 1 0 0	2 8	1 2
HP 2 4 1 1 7 0	5 0	3	HT 2 3 0 1 0 0	3 0	1 2
HP 2 4 1 1 8 0	4 6	3	HT 2 3 0 1 1 0	3 2	1 5
HP 2 4 1 1 8 0	5 0	3	HT 2 3 0 1 1 0	3 4	1 5
HP 2 4 1 3 7 1	4 6	8	HT 2 3 0 1 3 0	3 2	3
HP 2 4 1 3 7 1	5 0	8	HT 2 3 0 1 3 0	3 4	3
HP 2 4 1 3 8 1	4 6	8	HT 2 3 0 1 4 1	3 2	9
HP 2 4 1 3 8 1	5 0	8	HT 2 3 0 1 4 1	3 4	9
HP 2 4 1 4 3 0	9 8	4	HT 2 3 0 1 5 1	3 2	4
HP 2 4 1 4 3 0	1 0 2	1 0	HT 2 3 0 1 5 1	3 4	4
HP 2 4 1 4 4 0	4 6	5	HT 2 3 0 1 8 0	3 2	2 8
HP 2 4 1 4 4 0	5 0	5	HT 2 3 0 1 8 0	3 4	2 8
HP 2 4 1 4 5 0	4 6	4	HT 2 3 0 1 9 0	3 2	2
HP 2 4 1 4 5 0	5 0	4	HT 2 3 0 1 9 0	3 4	2
HP 2 4 1 4 6 0	4 6	4	HT 2 3 0 2 0 1	3 6	2 1
HP 2 4 1 4 6 0	5 0	4	HT 2 3 0 2 0 1	3 8	2 1
HP 2 4 1 4 7 0	4 6	1 0	HT 2 3 0 2 2 0	4 0	4
HP 2 4 1 4 7 0	5 0	1 0	HT 2 3 0 2 2 0	4 2	4
HP 2 4 1 4 8 0	4 6	1 0	HT 2 3 0 2 5 1	3 2	8
HP 2 4 1 4 8 0	5 0	1 0	HT 2 3 0 2 5 1	3 4	8
HP 3 1 3 6 9 0	7 0	2 5	HT 2 3 0 6 2 0	4 2	5
HP 3 2 1 1 4 0	2 2	4 3	HT 2 3 0 8 0 0	3 2	1
HP 3 2 1 1 4 0	8 6	6	HT 2 3 0 8 0 0	3 4	1
HP 3 2 1 1 4 0	9 2	3	HT 2 4 0 0 0 0	2 8	2
HP 4 8 2 9 5 0	8 2	5	HT 2 4 0 0 1 0	2 8	1 8
HP 4 8 2 9 5 0	8 4	5	HT 2 4 0 0 2 0	4 4	9
HP 4 8 2 9 5 0	8 8	1 9	HT 2 4 0 0 2 0	4 8	9
HP 4 8 3 1 1 1	8 8	1 8	HT 2 4 0 0 6 0	4 4	1 0
HP 4 8 3 3 7 0	8 8	1 7	HT 2 4 0 0 6 0	4 8	1 0
HP 7 1 0 7 9 1	9 8	7	HT 2 4 0 1 0 0	1 0 0	1
HS 4 6 0 0 3 0	7 2	5	HT 2 4 0 1 2 0	4 4	1
HS 4 6 0 0 5 0	7 2	6	HT 2 4 0 1 2 0	4 8	1
HS 4 6 0 2 0 0	7 2	4	HT 2 4 0 1 3 0	4 4	2
HS 4 6 0 2 1 0	7 2	7	HT 2 4 0 1 4 0	4 4	3
HS 7 3 0 0 0 0	7 2	1 0	HT 2 4 0 1 5 0	4 4	4
HT 2 3 0 0 4 1	3 2	7	HT 2 4 0 1 5 0	4 8	4
HT 2 3 0 0 4 1	3 4	7	HT 2 4 0 1 6 0	4 4	5
HT 2 3 0 0 5 1	3 2	5	HT 2 4 0 1 6 0	4 8	5
HT 2 3 0 0 5 1	3 4	5	HT 2 4 0 1 7 0	4 4	6
HT 2 3 0 0 6 2	3 2	1 6	HT 2 4 0 1 7 0	4 8	6
HT 2 3 0 0 6 2	3 4	1 6	HT 2 4 0 1 8 0	4 4	7
HT 2 3 0 0 8 0	2 8	1 5	HT 2 4 0 1 8 0	4 8	7
HT 2 3 0 0 8 0	3 0	1 5	HT 2 4 0 2 1 0	4 4	1 5
HT 2 3 0 0 9 0	2 8	1 1	HT 2 4 0 2 1 0	4 8	1 5
HT 2 3 0 0 9 0	3 0	1 1	HT 2 4 0 2 2 0	4 4	1 6

I N D E X

L I S T No.	PAGE No.	ITEM	L I S T No.	PAGE No.	ITEM
H T 2 4 0 2 2 0	4 8	1 6	K B 2 3 0 0 9 0	2 8	5
H T 2 4 0 2 3 0	4 4	1 7	K B 2 3 0 0 9 0	3 0	5
H T 2 4 0 2 3 0	4 8	1 7	K B 2 3 0 1 0 0	2 8	8
H T 2 4 0 2 4 0	4 4	1 8	K B 2 3 0 1 0 0	3 0	8
H T 2 4 0 2 4 0	4 8	1 8	K B 2 3 0 1 1 0	2 8	9
H T 2 4 0 2 5 0	1 0 0	2	K B 2 3 0 1 1 0	3 0	9
H T 2 4 0 2 7 0	1 0 0	3	K B 2 3 0 1 6 1	2 8	1
H T 2 4 0 2 8 0	1 0 0	4	K B 2 3 0 1 6 1	3 0	1
H T 2 4 0 2 9 0	1 0 0	5	K B 2 3 0 1 7 0	4 0	3
H T 2 4 0 3 0 0	1 0 0	6	K B 2 4 0 0 1 0	2 8	1 4
H T 2 4 0 3 1 0	1 0 0	7	K B 2 4 0 0 1 0	3 0	1 4
H T 2 4 0 3 2 0	4 4	1 4	K B 2 4 0 0 2 1	2 8	3
H T 2 4 0 3 2 0	4 8	1 4	K B 2 4 0 0 2 1	3 0	3
H T 2 4 0 3 3 0	4 4	1 9	K B 2 4 0 0 3 0	4 0	2
H T 2 4 0 3 3 0	4 8	1 9	K B 2 4 0 0 3 0	4 2	2
H T 2 4 0 3 4 0	1 0 0	9	K B 2 4 0 0 4 0	4 0	1 6
H T 2 4 0 5 0 0	3 0	2	K B 2 4 0 0 4 0	4 2	1 6
H T 2 4 0 5 1 0	3 0	1 8	K B 2 4 0 0 5 1	4 4	1 3
H T 2 4 0 5 3 0	4 6	1	K B 2 4 0 0 5 1	4 6	1 3
H T 2 4 0 5 3 0	5 0	1	K B 2 4 0 0 6 0	4 6	1 6
H T 2 4 0 5 3 0	1 0 2	7	K B 2 4 0 0 7 0	4 6	1 6
H T 2 7 0 0 0 1	5 4	1 4	K B 2 4 0 1 0 0	4 6	1 5
H T 2 7 0 0 1 0	5 4	2 1	K B 2 5 0 0 2 0	4 4	2 1
H T 2 7 0 0 1 0	5 6	2 1	K B 2 5 0 0 2 0	4 6	1 7
H T 2 7 0 0 2 0	5 4	1 8	K B 2 5 0 0 2 0	4 8	2 1
H T 2 7 0 0 2 0	5 6	1 8	K B 2 5 0 0 2 0	5 0	1 7
H T 2 7 0 0 3 0	5 4	2 0	K B 2 5 0 0 3 0	4 4	2 2
H T 2 7 0 0 4 0	5 4	1 5	K B 2 5 0 0 3 0	4 6	1 8
H T 2 7 0 0 4 0	5 6	1 5	K B 2 5 0 0 3 0	4 8	2 2
H T 2 7 0 0 6 1	5 4	2 8	K B 2 5 0 0 3 0	5 0	1 8
H T 2 7 0 0 6 1	5 6	2 8	K B 2 5 0 0 4 0	4 4	2 3
H T 2 7 0 1 4 0	5 6	2 0	K B 2 5 0 0 4 0	4 6	1 9
H T 2 7 0 1 5 0	5 6	1 4	K B 2 5 0 0 4 0	4 8	2 3
K B 2 1 0 1 6 0	2 2	2 5	K B 2 5 0 0 4 0	5 0	1 9
K B 2 1 0 1 7 0	4 0	1	K B 2 5 0 0 5 0	4 4	2 5
K B 2 1 0 1 7 0	4 2	1	K B 2 5 0 0 5 0	4 6	2 1
K B 2 3 0 0 1 0	2 2	2 8	K B 2 5 0 0 5 0	4 8	2 5
K B 2 3 0 0 3 0	2 2	3 1	K B 2 5 0 0 6 0	4 4	2 6
K B 2 3 0 0 5 0	2 2	3 3	K B 2 5 0 0 6 0	4 6	2 2
K B 2 3 0 0 6 0	3 6	8	K B 2 5 0 0 6 0	4 8	2 6
K B 2 3 0 0 6 0	3 8	8	K B 2 5 0 0 6 0	5 0	1 5
K B 2 3 0 0 7 0	3 6	7	K B 2 7 0 0 2 0	2 6	2 5
K B 2 3 0 0 7 0	3 8	7	K C 1 1 0 9 1 0	4	1 3
K B 2 3 0 0 8 0	3 6	6	K C 1 1 0 9 1 0	6	1 3
K B 2 3 0 0 8 0	3 8	6	K C 1 1 0 9 1 0	8	1 3

# I N D E X

L I S T No.	PAGE No.	ITEM	L I S T No.	PAGE No.	ITEM
K C 1 1 0 9 1 0	1 0	1 3	K C 4 5 0 9 2 0	7 4	1 8
K C 1 1 0 9 7 0	9 8	2 2	K C 5 3 0 2 3 0	9 6	5
K C 2 2 0 2 1 0	2 4	1 9	K C 5 3 0 2 4 0	9 6	3
K C 2 2 0 6 5 0	2 4	1 5	K F 2 2 0 1 3 0	2 2	1 1
K C 2 2 0 6 5 0	2 6	2 3	K F 2 2 0 2 3 0	2 4	1 0
K C 2 5 0 4 7 1	2 4	1 7	K F 2 2 0 2 7 1	2 4	4
K C 2 5 0 4 8 2	2 4	1 8	K F 2 2 0 2 9 0	2 4	1 1
K C 2 5 1 3 3 0	2 2	2 7	K F 2 2 0 4 1 0	2 4	8
K C 2 7 0 1 0 1	5 4	2 2	K F 2 2 0 4 4 0	2 4	7
K C 2 7 0 1 0 1	5 6	2 2	K F 2 2 0 4 6 0	2 2	1 9
K C 2 7 0 2 7 1	5 4	1 7	K F 2 2 0 4 7 0	2 4	1
K C 2 7 0 2 7 1	5 6	1 7	K F 2 2 0 4 8 0	2 4	1 3
K C 2 7 0 2 9 2	5 4	1 6	K F 2 2 0 7 5 0	2 4	9
K C 2 7 0 2 9 2	5 6	1 6	K F 2 3 0 2 3 0	3 2	1 2
K C 2 7 0 3 6 0	2 6	8	K F 2 3 0 2 3 0	3 4	1 2
K C 2 7 0 9 7 0	2 6	2 2	K F 2 3 0 2 4 0	3 2	1 3
K C 2 7 0 9 8 0	2 6	1 9	K F 2 3 0 2 4 0	3 4	1 3
K C 2 7 1 0 0 1	2 6	1 2	K F 2 3 0 2 5 0	3 2	1 4
K C 2 7 1 0 2 1	2 6	1 1	K F 2 3 0 2 5 0	3 4	1 4
K C 2 7 1 0 3 1	2 6	1 0	K F 2 3 0 4 2 0	2 2	3 0
K C 2 7 1 0 4 1	2 6	9	K F 2 3 0 5 0 0	2 8	1 3
K C 2 7 1 0 7 0	2 6	2 9	K F 2 3 0 5 0 0	3 0	1 3
K C 2 7 1 1 2 0	2 6	2 8	K F 2 3 0 5 8 0	5 4	1 9
K C 2 7 1 1 3 0	2 6	3 0	K F 2 3 0 5 8 0	5 6	1 9
K C 2 7 1 1 4 0	5 8	7	K F 2 3 0 6 3 0	3 6	1 4
K C 2 7 1 1 5 1	5 8	1 1	K F 2 3 0 6 3 0	3 8	1 4
K C 2 7 1 1 6 2	5 8	1 5	K F 2 3 0 6 4 0	2 6	3 1
K C 2 7 1 4 3 0	5 8	1 7	K F 2 3 0 6 4 0	3 6	1 6
K C 2 7 1 4 4 0	5 8	1	K F 2 3 0 6 4 0	3 8	1 6
K C 2 7 1 9 4 0	2 6	7	K F 2 3 0 6 5 0	3 6	1 5
K C 2 7 1 9 5 0	2 6	6	K F 2 3 0 6 5 0	3 8	1 5
K C 2 7 1 9 6 0	2 6	3	K F 2 3 0 6 6 1	3 6	1 9
K C 3 1 2 8 9 0	6 8	7	K F 2 3 0 6 6 1	3 8	1 9
K C 3 2 0 5 9 0	6 8	5	K F 2 3 0 6 7 0	3 6	2 0
K C 3 3 0 1 7 0	6 0	1 0	K F 2 3 0 6 7 0	3 8	2 0
K C 3 3 0 1 7 0	6 2	1 0	K F 2 3 0 9 1 0	3 2	1 0
K C 3 3 0 1 8 0	5 8	6	K F 2 3 0 9 1 0	3 4	1 0
K C 3 3 0 2 8 0	6 0	1 1	K F 2 3 0 9 3 0	3 2	1 1
K C 3 3 0 2 8 0	6 2	1 1	K F 2 3 0 9 3 0	3 4	1 1
K C 3 3 0 4 1 0	3 2	2 5	K F 2 4 0 9 0 0	9 8	5
K C 3 3 0 4 1 0	3 4	2 5	K F 2 5 0 9 0 0	2 4	2 1
K C 3 3 0 4 1 0	3 6	1 8	K F 3 2 0 5 2 0	8 6	7
K C 3 3 0 4 1 0	3 8	1 8	K F 3 2 0 5 2 0	9 2	1 4
K C 3 3 0 4 1 0	5 8	2	K F 3 3 0 3 8 1	3 2	2 7
K C 3 3 0 5 1 0	5 8	3	K F 3 3 0 3 8 1	3 4	2 7

# I N D E X

L I S T No.	PAGE No.	ITEM	L I S T No.	PAGE No.	ITEM
K F 3 3 0 3 8 1	3 6	1 7	K K 1 4 0 2 0 1	1 4	7
K F 3 3 0 3 8 1	3 8	1 7	K K 1 4 0 2 0 1	1 6	7
K F 5 3 0 1 1 1	9 6	4	K K 1 4 0 2 0 1	1 8	7
K F 5 3 0 1 2 0	9 6	4	K K 1 4 0 2 1 0	1 2	5
K F 5 3 0 1 5 1	9 6	6	K K 1 4 0 2 1 0	1 4	5
K F 5 3 0 1 6 0	9 6	1	K K 1 4 0 2 1 0	1 6	5
K F 5 3 0 1 7 1	9 6	2	K K 1 4 0 2 1 0	1 8	5
K F 7 1 0 1 0 0	9 8	1	K K 1 4 0 2 2 0	1 4	4
K F 7 1 0 2 8 0	9 8	6	K K 1 4 0 2 2 0	1 6	4
K F 7 1 0 3 0 0	9 8	1	K K 1 4 0 2 2 0	1 8	4
K G 7 1 0 1 6 1	9 8	2	K K 1 4 0 2 8 1	1 2	6
K K 1 4 0 0 0 0	4	1 4	K K 1 4 0 2 8 1	1 4	6
K K 1 4 0 0 0 0	6	1 4	K K 1 4 0 2 8 1	1 6	6
K K 1 4 0 0 0 0	8	1 4	K K 1 4 0 2 8 1	1 8	6
K K 1 4 0 0 0 0	1 0	1 4	K K 1 4 0 2 9 1	1 2	9
K K 1 4 0 0 1 0	2 0	2	K K 1 4 0 2 9 1	1 4	9
K K 1 4 0 0 2 0	4	1 9	K K 1 4 0 2 9 1	1 6	9
K K 1 4 0 0 2 0	6	1 6	K K 1 4 0 2 9 1	1 8	9
K K 1 4 0 0 2 0	8	1 6	K K 1 4 0 3 2 0	2 0	9
K K 1 4 0 0 2 0	1 0	1 6	K K 1 4 0 3 3 0	2 0	1 0
K K 1 4 0 0 5 0	1 2	2	K K 1 4 0 3 4 0	2 0	1 2
K K 1 4 0 0 5 0	1 4	2	K K 1 4 0 3 5 0	1 2	1 0
K K 1 4 0 0 5 0	1 6	2	K K 1 4 0 3 5 0	1 4	1 0
K K 1 4 0 0 5 0	1 8	2	K K 1 4 0 3 5 0	1 6	1 0
K K 1 4 0 0 6 1	4	1 5	K K 1 4 0 3 5 0	1 8	1 0
K K 1 4 0 0 6 1	6	1 5	K K 1 4 0 3 7 0	1 2	2 1
K K 1 4 0 0 6 1	8	1 5	K K 1 4 0 3 7 0	1 4	2 1
K K 1 4 0 0 6 1	1 0	1 5	K K 1 4 0 3 7 0	1 6	2 1
K K 1 4 0 0 7 0	2 0	1	K K 1 4 0 3 7 0	1 8	2 0
K K 1 4 0 0 8 0	2 0	1 3	K K 4 6 0 0 0 0	7 2	1 9
K K 1 4 0 1 1 1	1 2	3	K K 4 6 0 0 1 0	7 2	1 6
K K 1 4 0 1 1 1	1 4	3	K K 4 6 0 0 2 0	7 2	2 0
K K 1 4 0 1 1 1	1 6	3	K K 4 6 0 0 3 1	7 2	1 8
K K 1 4 0 1 1 1	1 8	3	K K 4 6 0 0 4 0	7 2	1 4
K K 1 4 0 1 4 1	2 0	3	K K 4 6 0 0 5 0	7 2	9
K K 1 4 0 1 5 1	2 0	5	K K 4 6 0 0 6 1	7 2	1 1
K K 1 4 0 1 6 0	4	1 8	K K 4 6 0 0 7 0	7 2	1 2
K K 1 4 0 1 6 0	6	1 7	K K 4 6 0 0 8 0	7 2	1 5
K K 1 4 0 1 6 0	8	1 7	K K 4 6 0 0 9 0	7 2	1 3
K K 1 4 0 1 6 0	1 0	1 7	K K 4 6 0 1 2 0	7 2	2 1
K K 1 4 0 1 7 0	4	5	K K 4 6 0 1 3 0	7 2	8
K K 1 4 0 1 7 0	6	5	K K 4 6 0 1 4 0	7 2	2 6
K K 1 4 0 1 7 0	8	5	K K 4 8 0 0 4 0	8 2	7
K K 1 4 0 1 7 0	1 0	5	K K 4 8 0 0 5 0	8 2	3
K K 1 4 0 2 0 1	1 2	7	K K 4 8 0 0 7 0	8 2	8

# I N D E X

L I S T No.	PAGE No.	ITEM	L I S T No.	PAGE No.	ITEM
K K 4 8 0 1 0 0	7 4	6	K L 2 7 0 0 6 0	5 6	4
K K 4 8 0 1 0 0	7 6	6	K L 2 7 0 0 7 0	5 4	1 0
K K 4 8 0 1 0 0	7 8	6	K L 2 7 0 0 7 0	5 6	1 0
K K 4 8 0 1 0 0	8 0	6	K L 2 7 0 0 8 1	5 2	2
K K 4 8 0 1 2 0	8 2	1	K L 2 7 0 0 9 1	5 2	4
K K 4 8 0 1 4 0	8 2	6	K L 2 7 0 1 0 1	5 2	8
K K 4 8 0 1 4 0	8 4	8	K L 2 7 0 1 1 0	5 2	3
K K 4 8 0 1 6 1	8 2	4	K L 2 7 0 1 2 0	5 2	9
K L 2 1 0 1 1 3	2 4	6	K L 2 7 0 1 3 0	5 2	1 6
K L 2 1 0 1 4 0	2 2	1 7	K L 2 7 0 2 6 0	5 2	1 0
K L 2 2 0 0 0 0	2 2	1 6	K L 2 7 0 3 9 0	2 6	3 5
K L 2 2 0 0 1 0	2 2	2 4	K L 2 7 0 4 0 0	5 2	1 3
K L 2 2 0 0 2 0	2 2	2 9	K L 2 7 0 4 1 0	5 2	1 7
K L 2 2 0 0 3 0	2 2	1 5	K L 2 7 0 4 2 0	5 2	1 5
K L 2 2 0 0 4 0	2 2	6	K L 2 7 0 4 3 0	5 2	1 2
K L 2 2 0 0 5 0	2 2	2 1	K L 2 7 0 4 4 0	5 2	1 4
K L 2 2 0 0 6 0	2 4	2	K L 2 7 0 4 5 0	5 2	5
K L 2 2 0 0 7 0	2 4	1 2	K L 2 7 0 5 2 0	5 4	9
K L 2 2 0 0 8 0	2 2	1 2	K L 2 7 0 5 2 0	5 6	9
K L 2 2 0 0 9 0	2 2	4	K L 3 2 0 0 0 0	2 2	3 5
K L 2 2 0 1 0 0	2 2	1	K L 3 2 0 0 2 0	2 2	3 7
K L 2 2 0 1 2 0	2 4	2 0	K N 2 7 0 9 5 2	2 6	2 0
K L 2 2 0 1 3 0	2 2	1 4	K N 2 7 0 9 6 1	2 6	1 4
K L 2 2 0 1 4 0	2 2	2 0	K N 2 7 1 7 1 2	5 8	2 2
K L 2 2 0 1 4 0	2 4	3	K N 2 7 2 3 5 0	5 8	8
K L 2 2 0 1 5 0	2 2	8	K N 2 7 2 4 0 0	2 6	4
K L 2 3 0 2 8 0	3 6	1 3	K N 2 7 2 4 0 0	5 2	6
K L 2 3 0 2 8 0	3 8	1 3	K N 2 7 2 4 0 0	5 4	1 1
K L 2 5 0 0 4 0	2 2	7	K N 2 7 2 4 0 0	5 6	1 1
K L 2 5 0 0 5 1	2 2	2 6	K N 2 7 2 4 0 0	6 4	5
K L 2 5 0 0 5 1	9 8	2 8	K N 2 7 2 4 0 0	6 6	5
K L 2 5 0 0 7 0	2 4	5	K N 3 1 0 0 1 0	7 0	2
K L 2 7 0 0 0 0	5 4	1	K N 3 1 5 1 1 0	7 0	9
K L 2 7 0 0 0 0	5 6	1	K N 4 5 0 3 0 0	8 4	1 3
K L 2 7 0 0 1 0	5 4	6	K N 4 5 0 3 0 0	8 8	2 6
K L 2 7 0 0 1 0	5 6	6	K N 4 5 0 3 1 1	8 8	2 1
K L 2 7 0 0 2 0	5 4	5	K N 4 8 0 0 6 1	8 4	9
K L 2 7 0 0 2 0	5 6	5	K N 4 8 0 0 6 1	8 8	4
K L 2 7 0 0 3 0	5 4	7	K N 4 8 0 0 6 1	9 0	4
K L 2 7 0 0 3 0	5 6	7	K N 4 8 3 4 5 0	8 8	2
K L 2 7 0 0 4 0	5 4	2	K N 4 8 3 4 5 0	9 0	2
K L 2 7 0 0 4 0	5 6	2	K N 5 1 1 0 2 0	6 8	9
K L 2 7 0 0 5 0	5 4	3	K N 5 4 0 0 7 0	1 0 2	6
K L 2 7 0 0 5 0	5 6	3	K N 5 4 0 5 0 0	1 0 2	2
K L 2 7 0 0 6 0	5 4	4	K N 5 4 0 5 1 0	1 0 0	8



# I N D E X

L I S T No.	PAGE No.	ITEM	L I S T No.	PAGE No.	ITEM
KN 5 4 0 5 1 0	1 0 2	4	K R 3 3 0 0 0 0	6 0	1 3
KN 5 4 0 5 2 0	1 0 2	3	K R 3 3 0 0 0 0	6 2	1 3
K P 3 2 1 1 4 0	6 8	2	K R 3 3 0 0 1 0	6 4	3
K R 1 4 0 0 0 0	4	8	K R 3 3 0 0 1 0	6 6	3
K R 1 4 0 0 0 0	6	8	K R 3 3 0 0 2 0	9 8	2 7
K R 1 4 0 0 0 0	8	8	K R 3 3 0 0 3 0	6 4	6
K R 1 4 0 0 0 0	1 0	8	K R 3 3 0 0 3 0	6 6	6
K R 1 4 0 0 1 0	4	6	K R 3 3 0 0 4 0	5 0	1 6
K R 1 4 0 0 1 0	6	6	K R 3 3 0 0 6 0	6 4	9
K R 1 4 0 0 1 0	8	6	K R 3 3 0 0 6 0	6 6	9
K R 1 4 0 0 1 0	1 0	6	K R 3 3 0 0 7 0	6 4	8
K R 1 4 0 0 2 0	4	9	K R 3 3 0 0 7 0	6 6	8
K R 1 4 0 0 2 0	6	9	K R 3 3 0 1 0 0	6 4	1 1
K R 1 4 0 0 2 0	8	9	K R 3 3 0 1 0 0	6 6	1 1
K R 1 4 0 0 2 0	1 0	9	K R 3 3 0 1 1 0	6 8	6
K R 1 4 0 0 3 0	4	1 0	K R 3 3 0 1 2 0	6 4	4
K R 1 4 0 0 3 0	6	1 0	K R 3 3 0 1 2 0	6 6	4
K R 1 4 0 0 3 0	8	1 0	K R 3 3 0 1 4 1	6 4	1 0
K R 1 4 0 0 3 0	1 0	1 0	K R 3 3 0 1 4 1	6 6	1 0
K R 1 4 0 0 3 0	2 0	4	K R 3 3 0 1 6 0	9 8	2 1
K R 1 4 0 0 4 0	4	7	K R 3 3 0 1 7 0	9 8	2 6
K R 1 4 0 0 4 0	6	7	K R 3 3 0 1 9 0	6 0	1
K R 1 4 0 0 4 0	8	7	K R 3 3 0 1 9 0	6 2	1
K R 1 4 0 0 4 0	1 0	7	K R 3 3 0 2 0 0	6 0	2
K R 1 4 0 0 5 0	4	1 6	K R 3 3 0 2 0 0	6 2	2
K R 1 4 0 0 5 0	6	1 9	K R 3 3 0 2 1 0	6 0	9
K R 1 4 0 0 5 0	8	1 9	K R 3 3 0 2 1 0	6 2	9
K R 1 4 0 0 5 0	1 0	1 9	K R 3 3 0 2 2 0	6 4	1
K R 1 4 0 0 6 0	1 2	1 1	K R 3 3 0 2 2 0	6 6	1
K R 1 4 0 0 6 0	1 4	1 1	K R 3 3 0 2 4 0	5 0	1 6
K R 1 4 0 0 6 0	1 6	1 1	K R 3 3 0 2 6 0	4 8	3
K R 1 6 0 0 3 0	1 2	4	K R 3 3 0 2 7 0	4 8	2
K R 2 1 0 0 3 0	2 2	2 5	K R 3 3 0 2 8 0	3 2	1 8
K R 3 1 0 0 0 0	7 0	1	K R 3 3 0 2 8 0	3 4	1 8
K R 3 1 0 0 2 0	7 0	8	K R 3 3 0 2 8 0	6 2	2 8
K R 3 1 0 0 7 0	7 0	1 2	K R 4 7 0 0 0 0	8 4	3 7
K R 3 1 0 0 9 0	6 8	1	K R 4 7 0 0 1 0	8 4	3 7
K R 3 1 0 1 0 0	6 8	1 0	K R 4 7 0 0 2 0	8 4	3 7
K R 3 1 0 1 1 0	6 8	1 1	K R 4 7 0 0 3 0	8 4	3 7
K R 3 1 0 1 2 0	6 8	4	K R 4 8 0 0 0 0	8 8	8
K R 3 1 0 1 3 0	6 8	3	K R 4 8 0 0 0 1	8 4	1 8
K R 3 2 0 0 0 1	7 0	1 1	K R 4 8 0 0 0 1	9 0	8
K R 3 2 0 0 1 0	7 0	1 1	K R 4 8 0 0 1 1	8 4	2 1
K R 3 2 0 0 2 0	7 0	1 1	K R 4 8 0 0 1 1	8 8	1 4
K R 3 2 0 0 3 0	7 0	1 1	K R 4 8 0 0 1 1	9 0	1 3

# I N D E X

L I S T No.	PAGE No.	ITEM	L I S T No.	PAGE No.	ITEM
K R 4 8 0 0 2 0	8 6	2	K R 4 8 0 2 5 0	7 8	7
K R 4 8 0 0 2 0	9 2	2	K R 4 8 0 2 5 0	8 0	7
K R 4 8 0 0 3 0	8 4	7	K R 4 8 0 2 6 0	8 4	1
K R 4 8 0 0 3 0	8 8	2 0	K R 4 8 0 2 7 0	7 4	8
K R 4 8 0 0 3 0	9 0	1 5	K R 4 8 0 2 7 0	7 6	8
K R 4 8 0 0 4 0	8 6	1 1	K R 4 8 0 2 7 0	7 8	8
K R 4 8 0 0 4 0	9 2	1 3	K R 4 8 0 2 7 0	8 0	8
K R 4 8 0 0 5 0	8 4	2 0	K R 4 8 0 2 8 0	8 8	3
K R 4 8 0 0 5 0	8 8	6	K R 4 8 0 2 8 0	9 0	3
K R 4 8 0 0 5 0	9 0	6	K R 4 8 0 2 9 0	8 4	6
K R 4 8 0 0 6 0	8 4	1 5	K R 4 8 0 3 3 0	7 4	5
K R 4 8 0 0 6 0	8 8	5	K R 4 8 0 3 3 0	7 6	5
K R 4 8 0 0 6 0	9 0	5	K R 4 8 0 3 3 0	7 8	5
K R 4 8 0 0 7 0	8 8	2 8	K R 4 8 0 3 3 0	8 0	5
K R 4 8 0 0 8 0	8 6	3	K R 4 9 0 0 0 0	8 8	1 1
K R 4 8 0 0 8 0	9 2	4	K R 5 1 0 0 0 0	9 4	8
K R 4 8 0 0 9 0	8 6	1 3	K R 5 1 0 0 1 0	9 4	1 7
K R 4 8 0 0 9 0	9 2	9	K R 5 1 0 0 2 0	9 4	1 6
K R 4 8 0 1 0 0	8 6	1 6	K R 5 1 0 0 3 0	9 4	6
K R 4 8 0 1 0 0	9 2	7	K R 5 1 0 0 5 0	9 4	7
K R 4 8 0 1 1 0	9 2	1 5	K R 5 1 0 0 6 0	9 4	1 4
K R 4 8 0 1 1 1	8 6	8	K R 5 1 0 0 7 0	9 4	5
K R 4 8 0 1 2 1	8 6	1 0	K R 5 1 0 0 8 0	9 4	4
K R 4 8 0 1 2 1	9 2	1 2	K R 5 1 0 0 9 0	9 4	3
K R 4 8 0 1 3 0	7 4	9	K R 5 1 0 1 0 0	9 4	2
K R 4 8 0 1 3 0	7 6	9	K R 5 1 0 1 1 0	9 4	9
K R 4 8 0 1 3 0	7 8	9	K R 5 1 0 1 2 0	9 8	1 0
K R 4 8 0 1 3 0	8 0	9	K R 5 1 0 1 3 0	9 8	8
K R 4 8 0 1 4 0	9 2	1	K S 2 7 0 0 2 0	2 6	1 3
K R 4 8 0 1 5 0	8 6	1	K S 2 7 0 0 3 0	5 8	1 0
K R 4 8 0 1 6 0	8 4	3	K S 2 7 0 0 4 0	2 6	1 5
K R 4 8 0 1 7 0	7 4	1 0	K S 2 7 0 0 6 0	2 6	1 6
K R 4 8 0 1 7 0	7 6	1 0	K T 2 3 0 0 0 0	2 8	1 9
K R 4 8 0 1 7 0	7 8	1 0	K T 2 3 0 0 0 0	3 0	1 9
K R 4 8 0 1 7 0	8 0	1 0	K T 2 3 0 0 1 0	2 8	1 7
K R 4 8 0 1 8 0	8 6	4	K T 2 3 0 0 1 0	3 0	1 7
K R 4 8 0 1 9 0	9 2	5	K T 2 3 0 0 2 0	3 0	4
K R 4 8 0 2 0 0	8 6	5	K T 2 3 0 0 3 0	3 0	1 0
K R 4 8 0 2 1 0	8 8	1	K T 2 3 0 0 3 1	2 8	1 0
K R 4 8 0 2 1 0	9 0	1	K T 2 3 0 0 4 0	2 8	1 6
K R 4 8 0 2 2 0	8 8	1 6	K T 2 3 0 0 4 0	3 0	1 6
K R 4 8 0 2 3 0	8 2	2	K T 2 3 0 0 5 0	3 0	3 6
K R 4 8 0 2 4 0	8 4	2	K T 2 3 0 0 5 1	2 8	3 6
K R 4 8 0 2 5 0	7 4	7	K T 2 3 0 2 9 1	2 8	4
K R 4 8 0 2 5 0	7 6	7	K U 2 4 1 4 0 0	4 6	1 4



