

# Barudan

COMPUTERIZED MONOGRAM MACHINE

**BEAT** **804**  
**806** - **YS**  
**808**

MODEL

**BEAT** **M804**  
**M806** - **YS**  
**M808**

## PARTS LIST

V10022

**BARUDAN CO., LTD.**

ADDRESS 906 JOSUIJI  
ICHINOMIYA-CITY· AICHI-PREF·  
JAPAN

TEL. <0586>76-1137

FAX. <0586>77-1499

TELEX 4573268 BARUNA J

CABLE BARUNA ICHINOMIYA



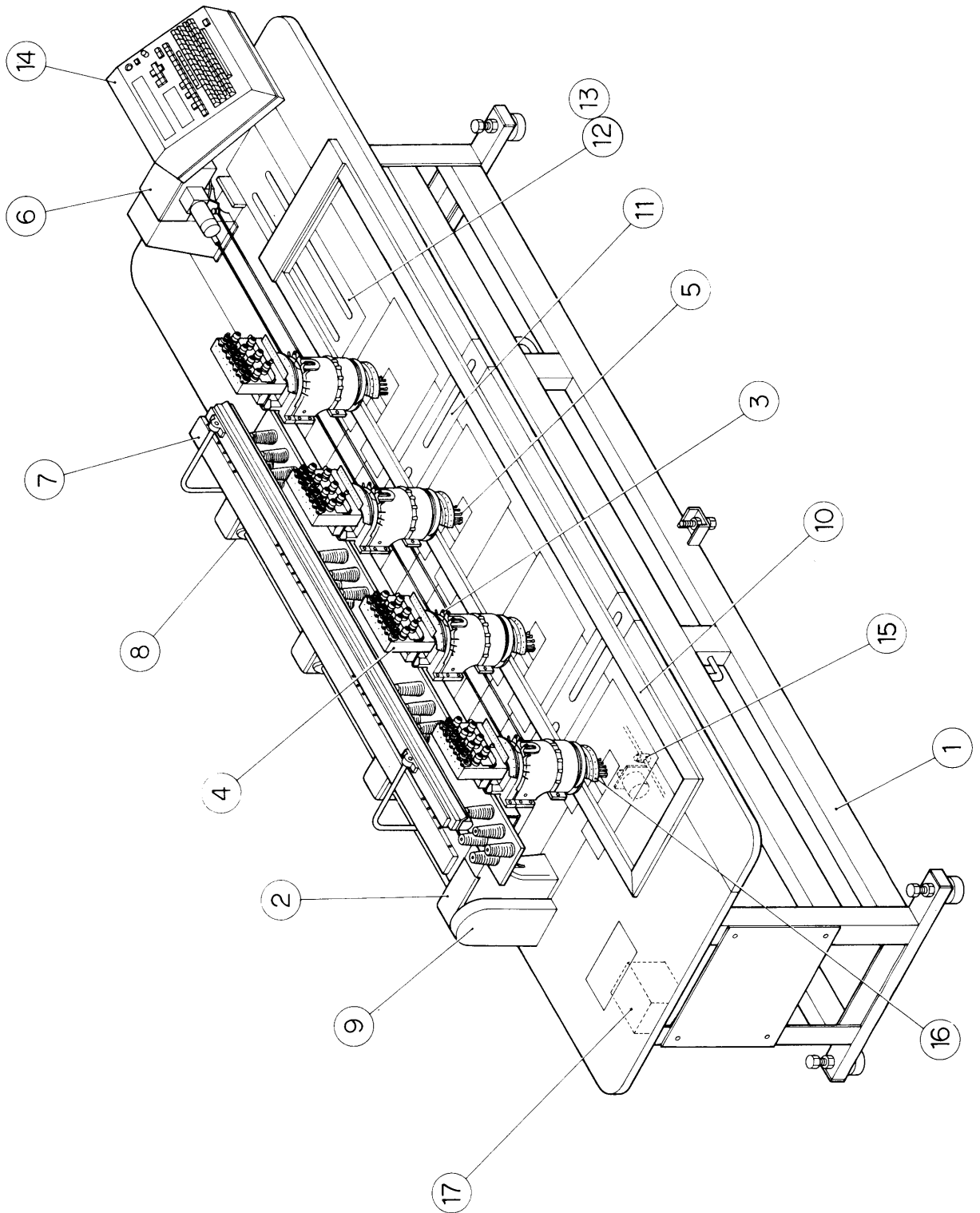
BEAT—804 • 806 • 808—YS  
 BEAT—M804 • M806 • M808—YS  
 PARTS LIST

## CONTENTS

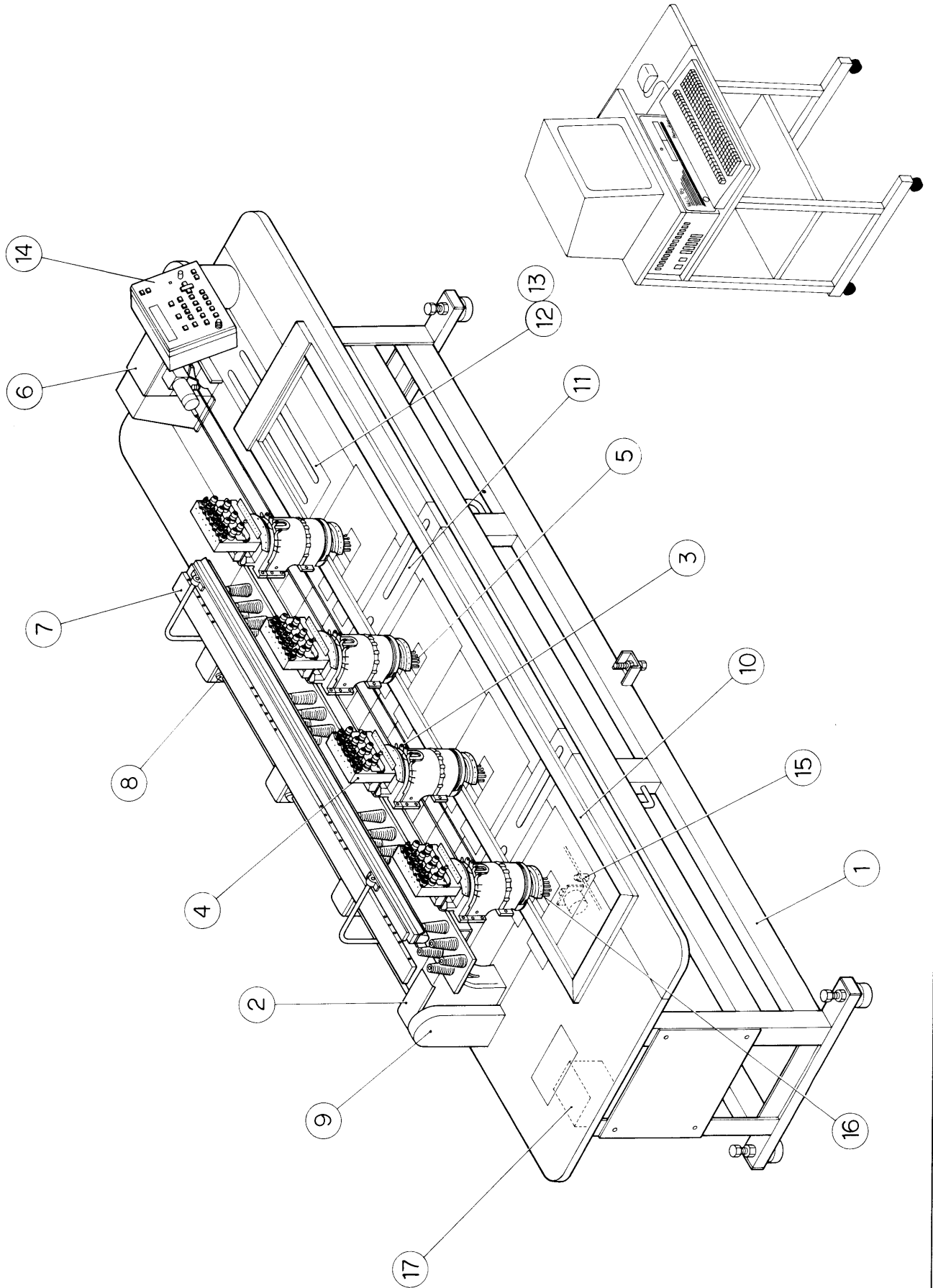
ITEM No.	Page No.
Machine layout .....	1
①Frame • Table a'ssy .....	7
②Sewing head a'ssy .....	2 5
③Take up lever mechanism .....	2 7
④Needle bar • Jump mechanism .....	2 9
⑤Thread guide mechanism .....	3 1
⑥Color change mechanism .....	3 3
⑦Option .....	3 5
⑧Conecting shaft .....	3 7
⑨Drive mechanism .....	3 9
⑩Pantograph drive mechanism I—① .....	4 1
⑩Pantograph drive mechanism I—② .....	4 3
⑩Pantograph drive mechanism I—③ .....	4 5
⑪Pantograph drive mechanism (H-Direction)II—① .....	4 7
⑫Pantograph drive mechanism (H-Direction)II—② .....	4 9
⑬Pantograph drive mechanism (V-Direction)III.....	5 1
⑭Contorol system I .....	5 3
⑭Contorol system II .....	5 5
⑮Thread cutting mechanism I .....	5 7
⑯Thread cutting mechanism II .....	5 9
⑰Thread cutting drive mechanism III .....	6 1
INDEX .....	6 3

Please specify, in the following manner, your machine model, manufacturing number and embroidery space when you order us with the parts having ※ at the end of the part No. :

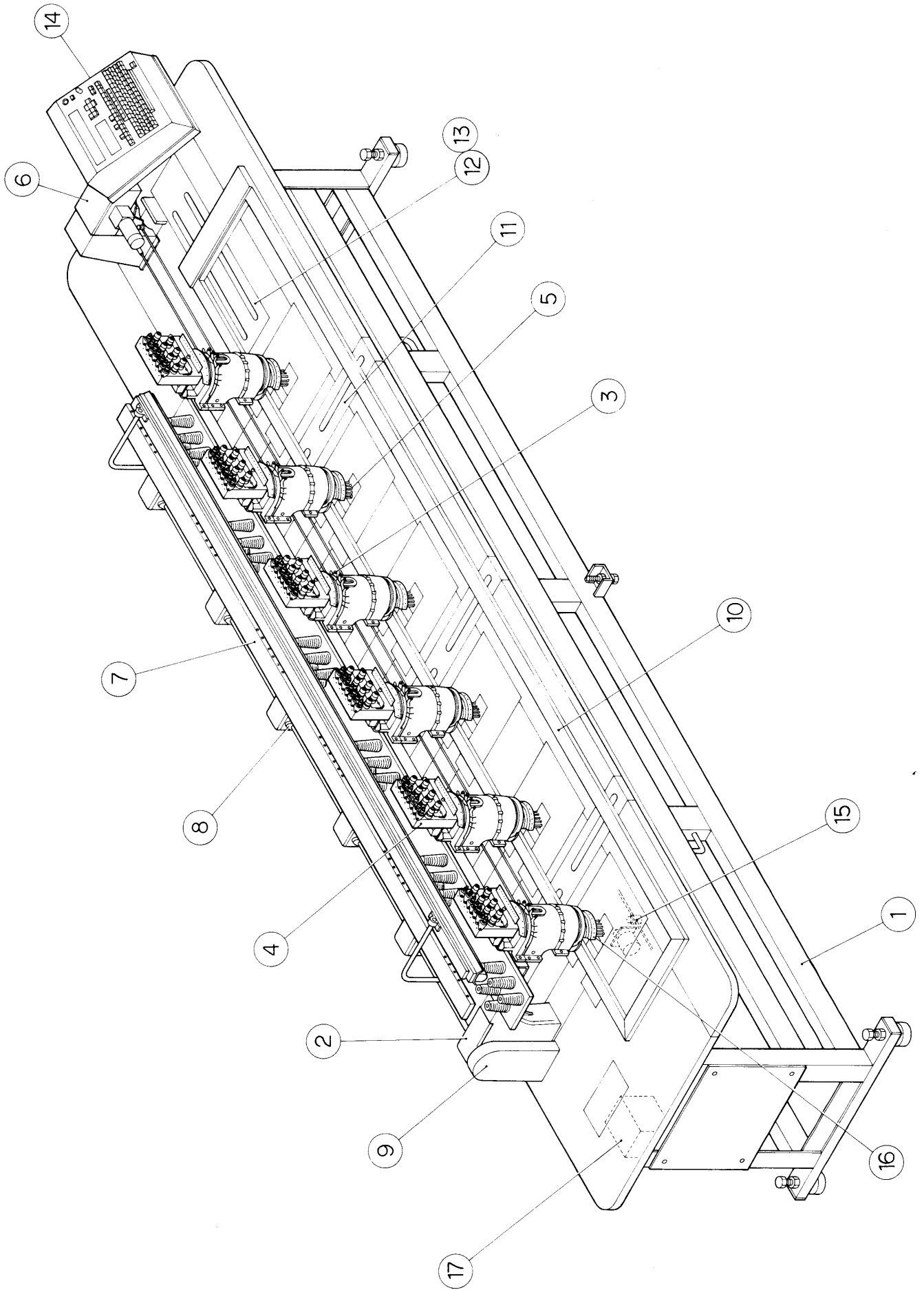




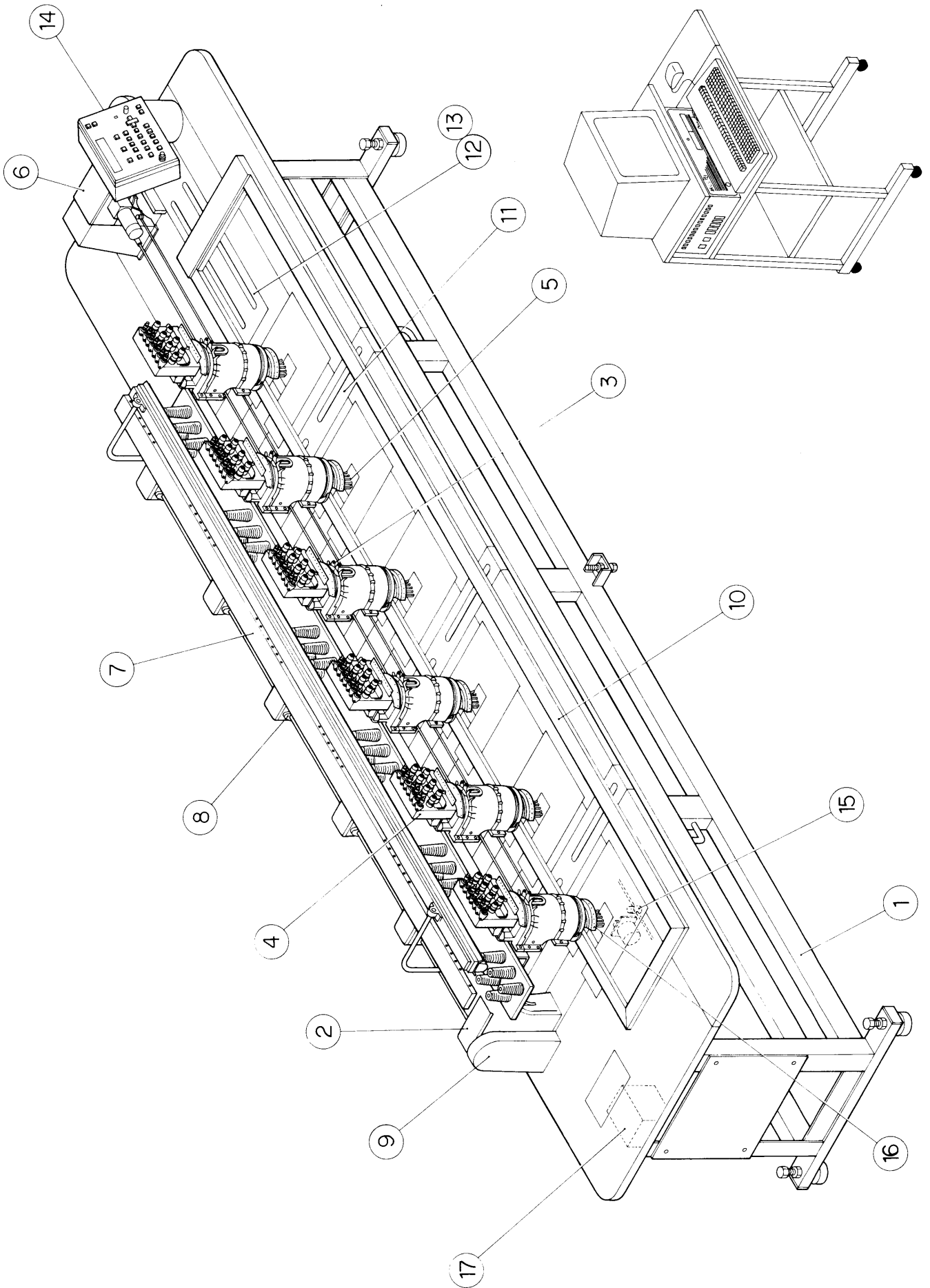
MODEL BEAT 804-M804  
806-M806-YS  
808-M808



MODEL BEAT 804-M804  
806-M806-YS  
808-M808

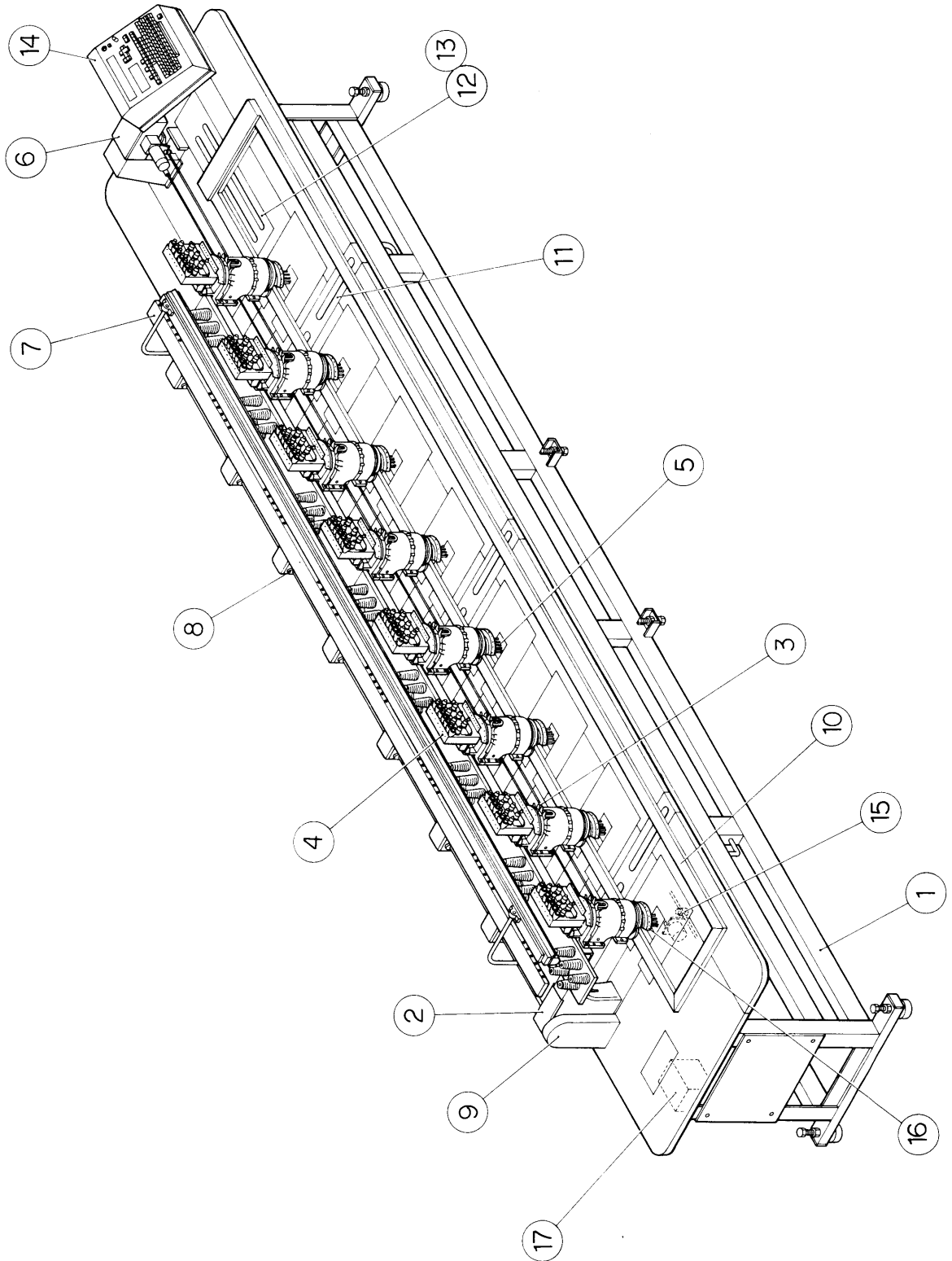


MODEL BEAT 804-M804  
806-M806-YS  
808-M808

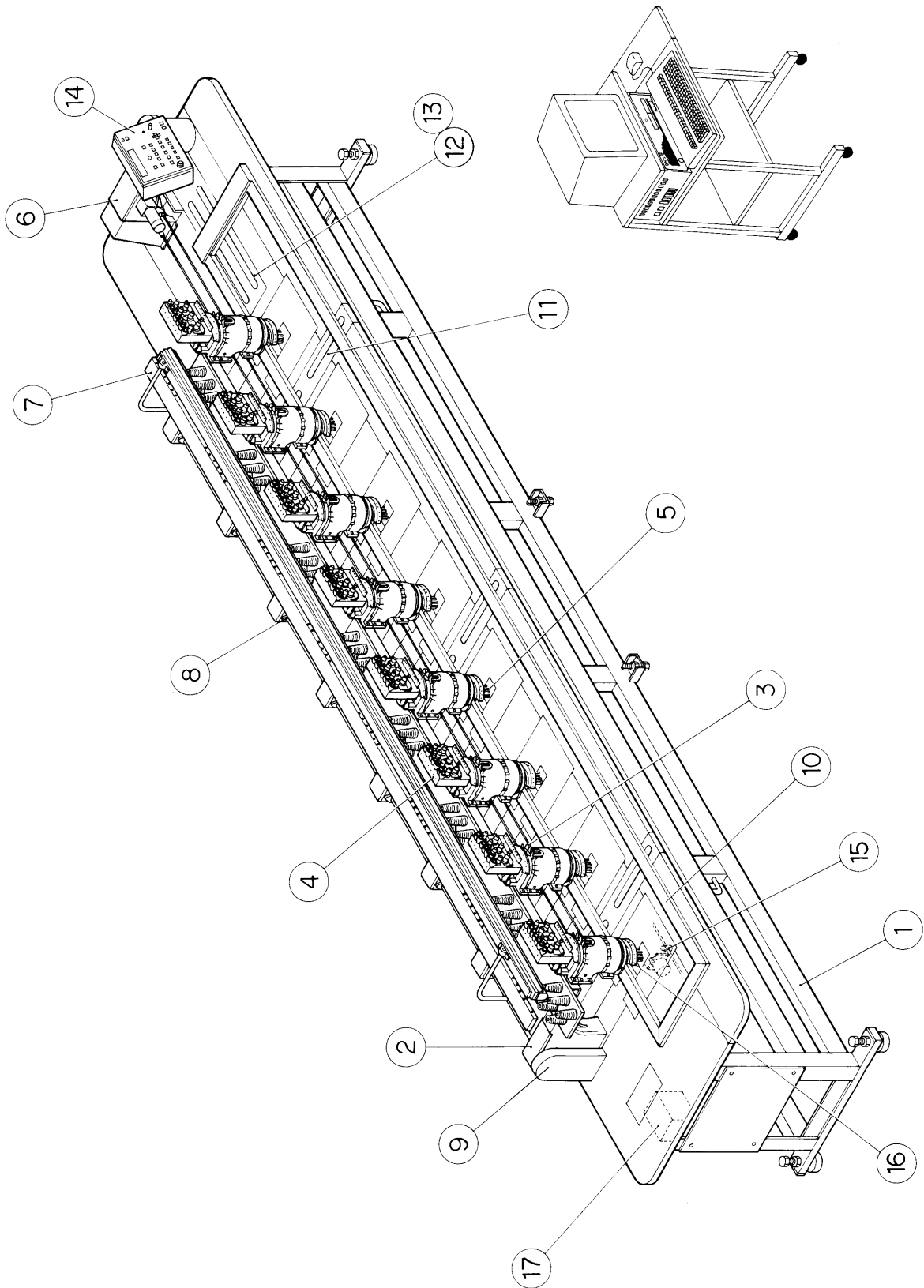


MODEL BEAT 804-M804  
806-M806-YS  
808-M808





MODEL BEAT 804-M804  
806-M806-YS  
808-M808

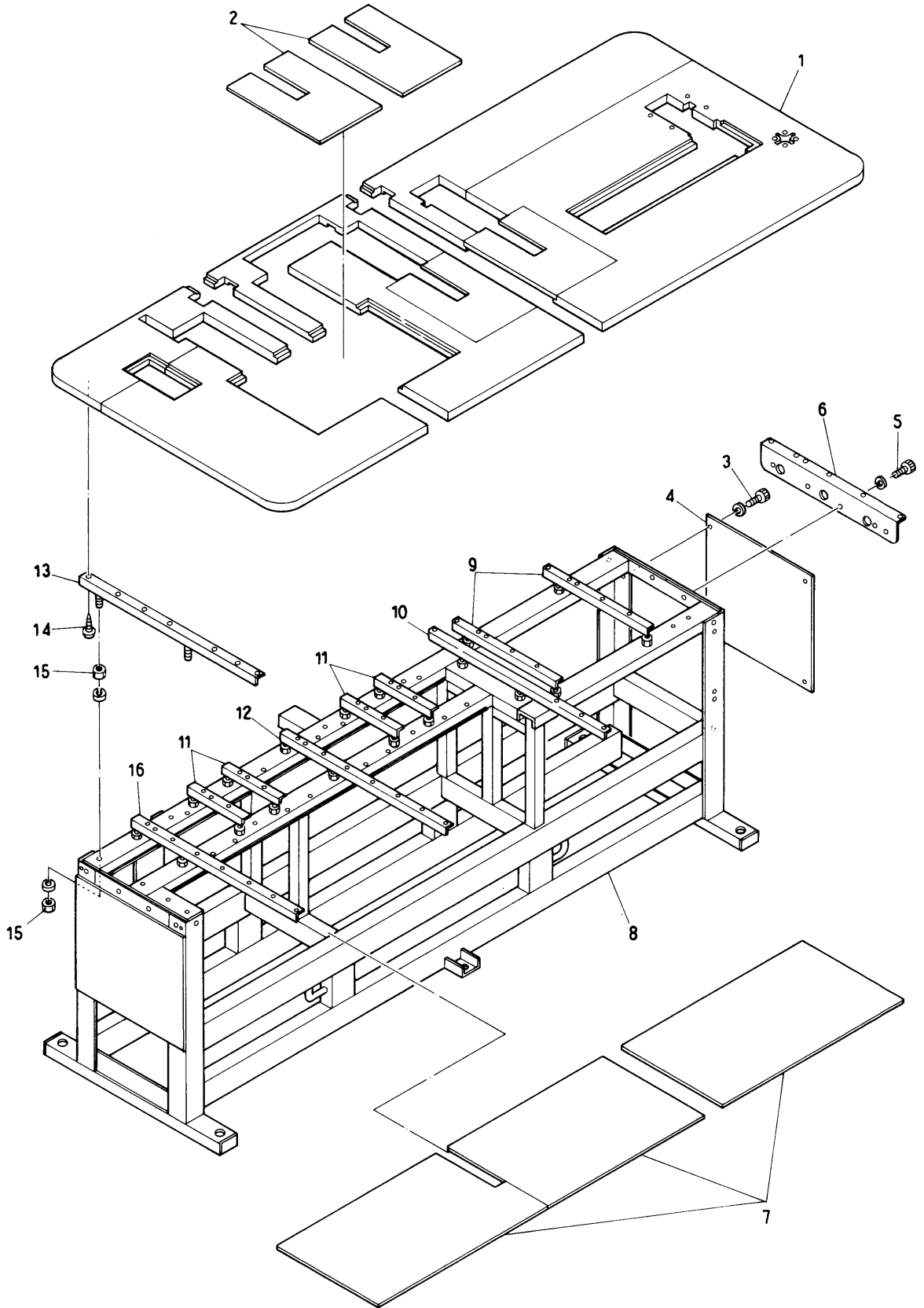


MODEL BEAT 804-M804  
806-M806-YS  
808-M808



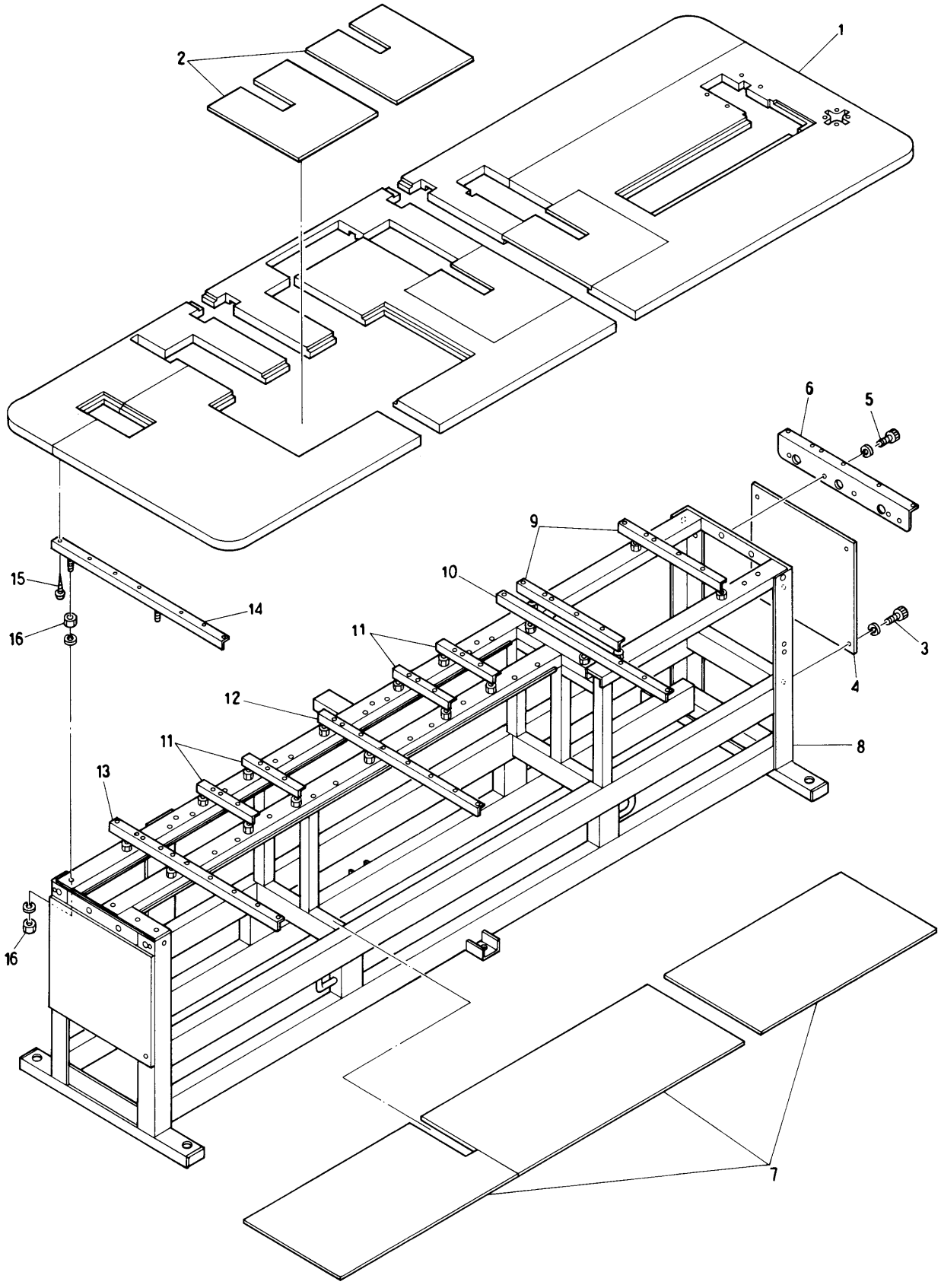
Barudan

① Frame • Table a' ssy (BEAT-804) P = 350



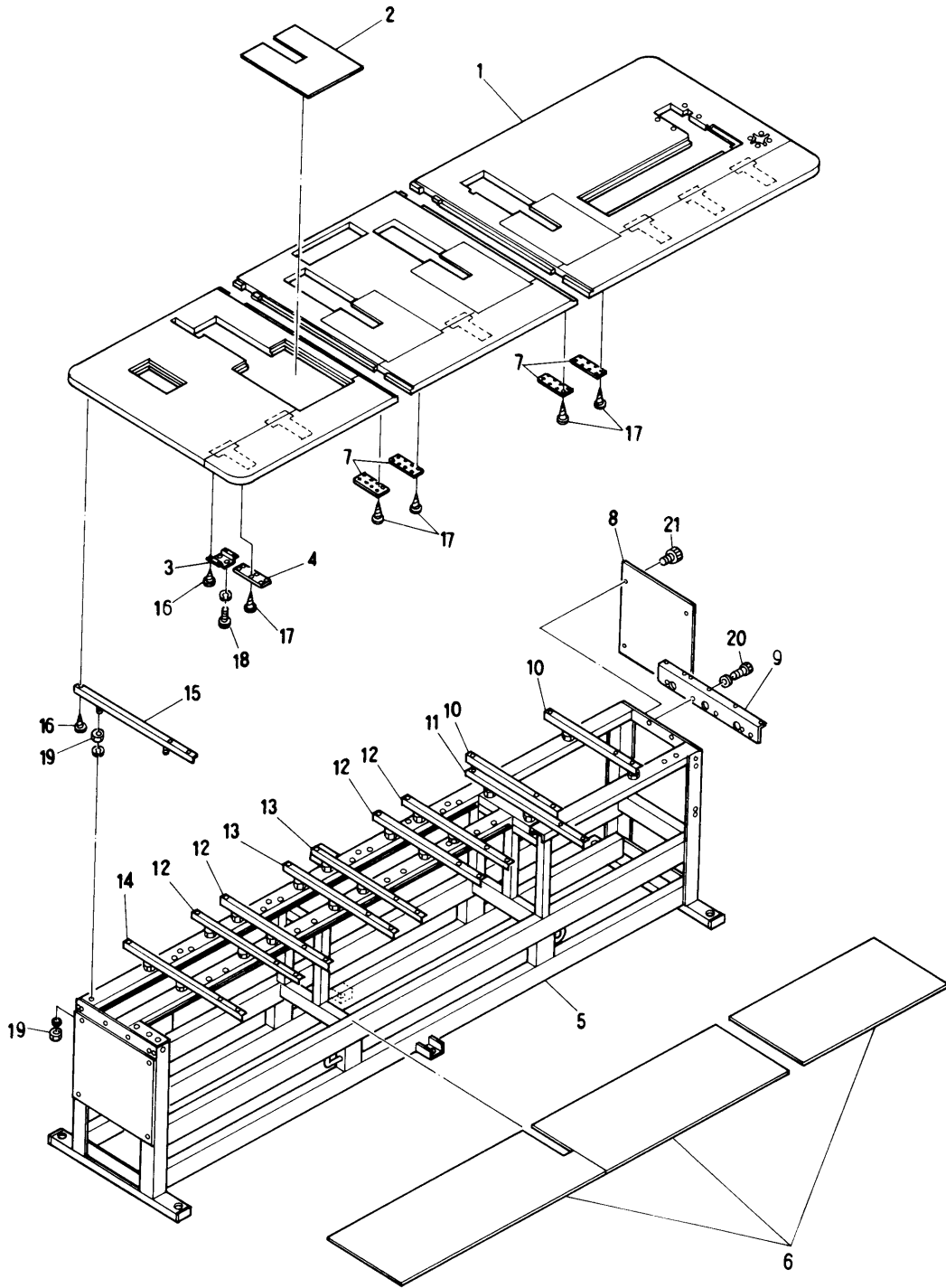
MODEL BEAT 804-M804  
806-M806-YS  
808-M808





MODEL BEAT 804-M804  
806-M806-YS  
808-M808



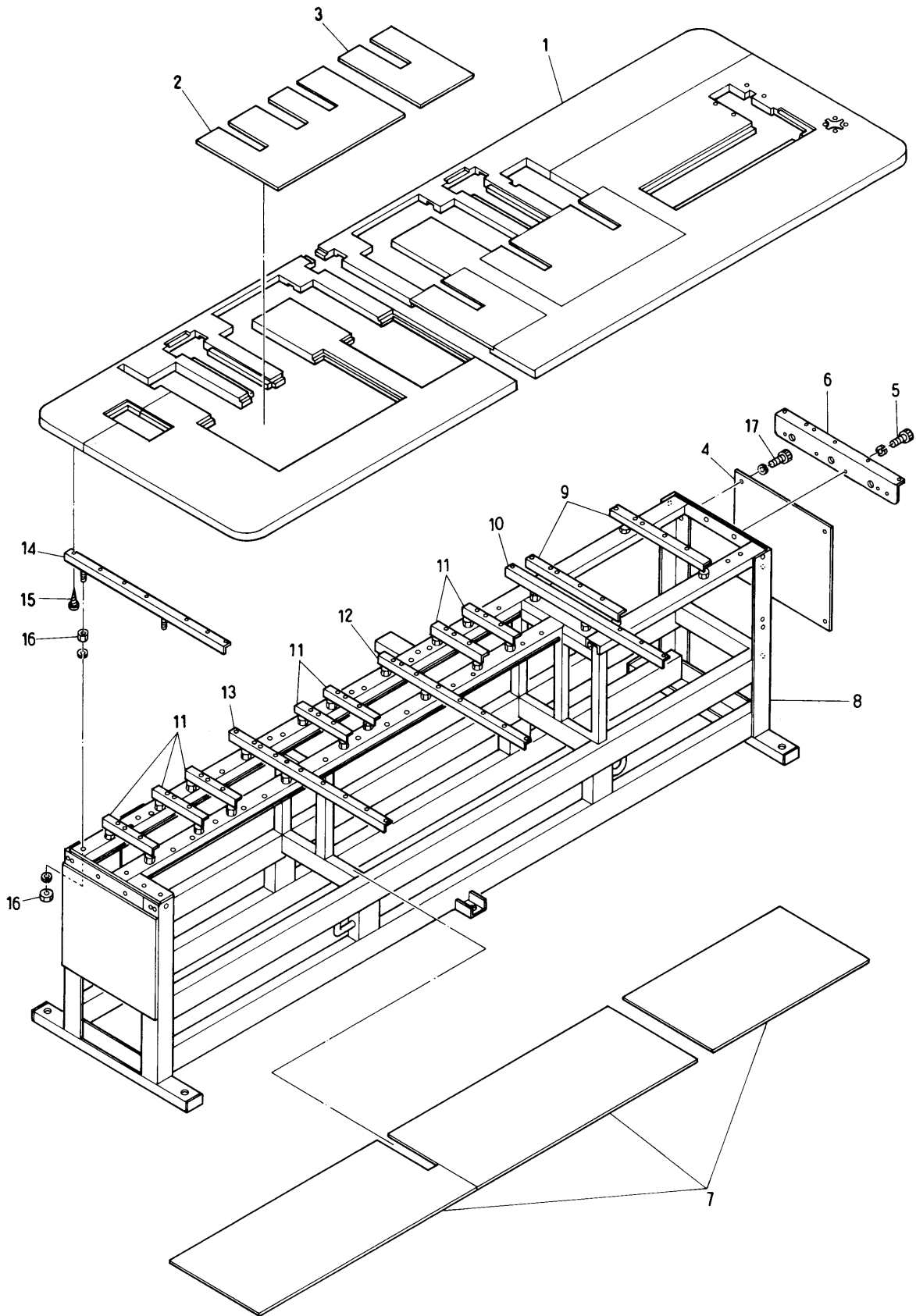




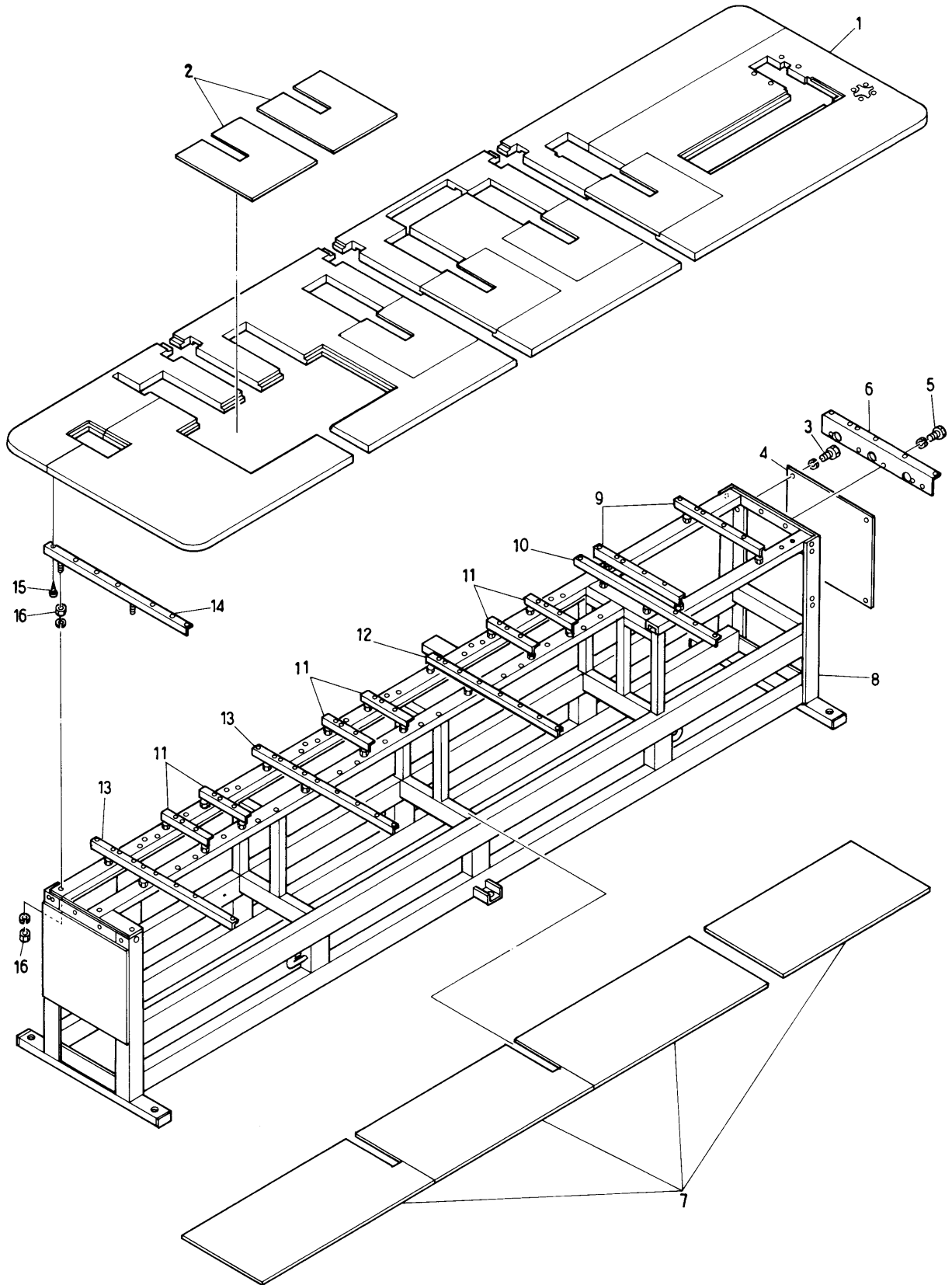
① Frame ▪ Table a'ssy (BEAT-806)

P=520

ITEM	LIST No.	DESCRIPTION	Q'TY	REMARK
1	KU151613	Table (BEAT-806, 320×520)	1	
2	KG120662	Table cover	6	
3	MA140380	Table support bracket	7	
4	MA140690	Table support (L)	7	
5	KU161612	Frame (BEAT-806, 320×520)	1	
6	KU151710	Shelt boord (BEAT-806, 320×520)	1	
7	KU140700	Table support (S) (BEAT)	6	
8	KC110910	Frame side cover (R)	1	
9	KU120800	Table support	1	
10	KC120841	Table support (475L)	2	
11	KU140550	Table support (720L, P250)	1	
12	MA140530	Table support (720L, P214)	3	
13	MA140540	Table support (670L)	2	
14	MA140570	Table support (650L)	6	
15	MA140580	Table support (720L, P400)	1	
16		Screw M5×25		
17		Wood screw M5.1×32		
18		Hex. socket bolt M8×15		
19		Hex. nut 3/8		
20		Hex. socket bolt M6×20		
21		Hex. socket bolt M6×8		

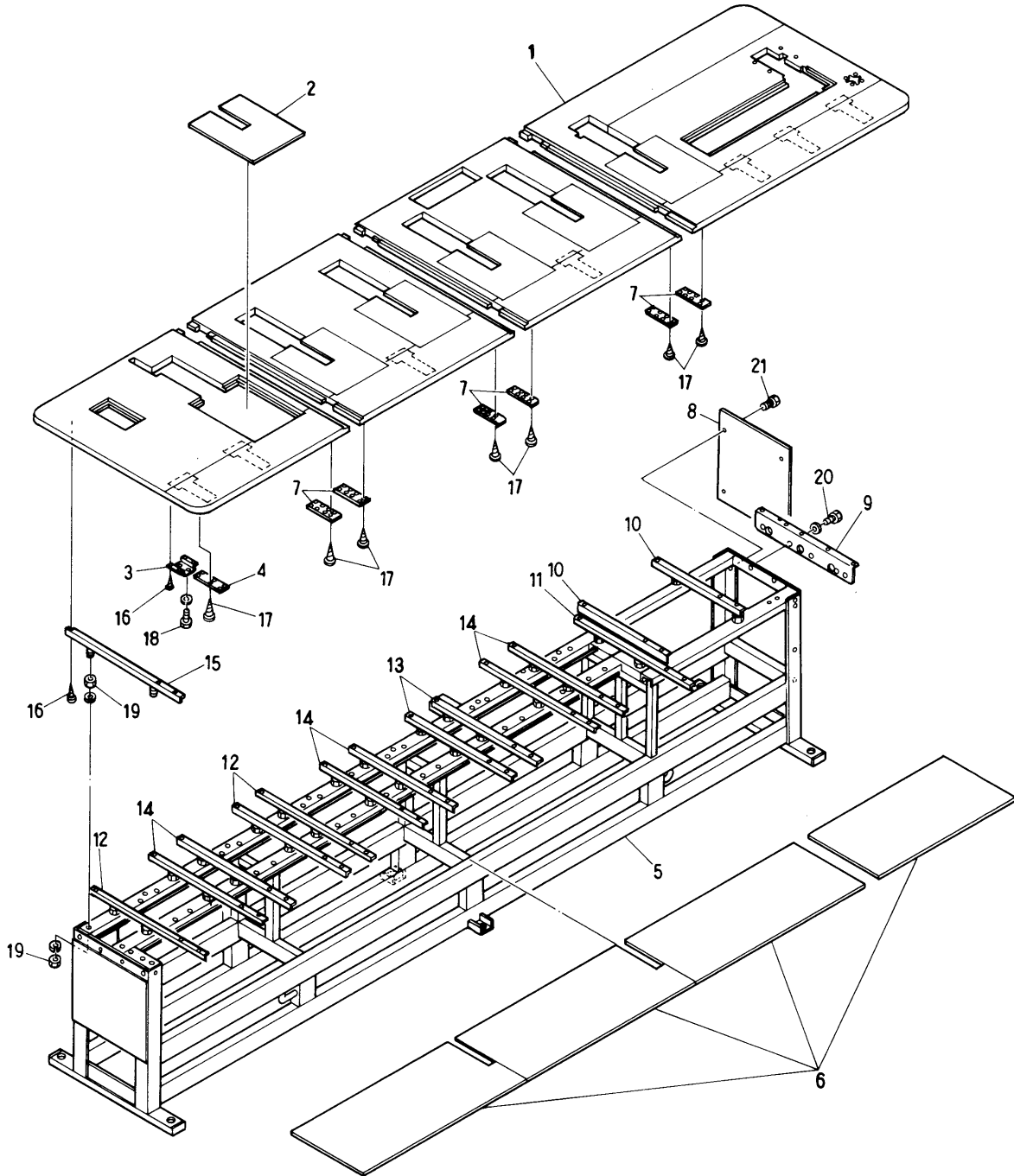






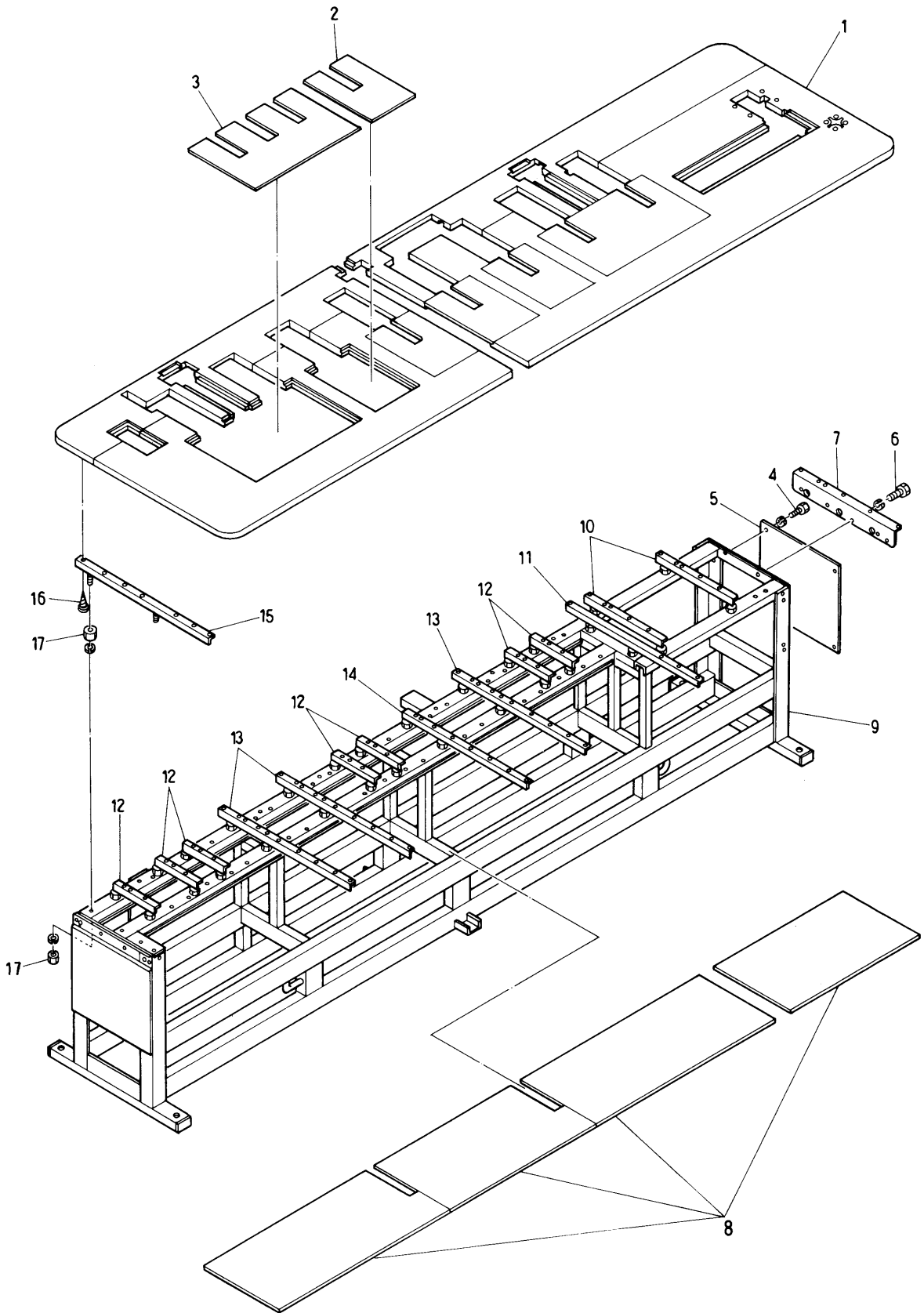
804-M804  
806-M806-YS  
808-M808  
MODEL BEAT





MODEL BEAT 804-M804  
806-M806-YS  
808-M808

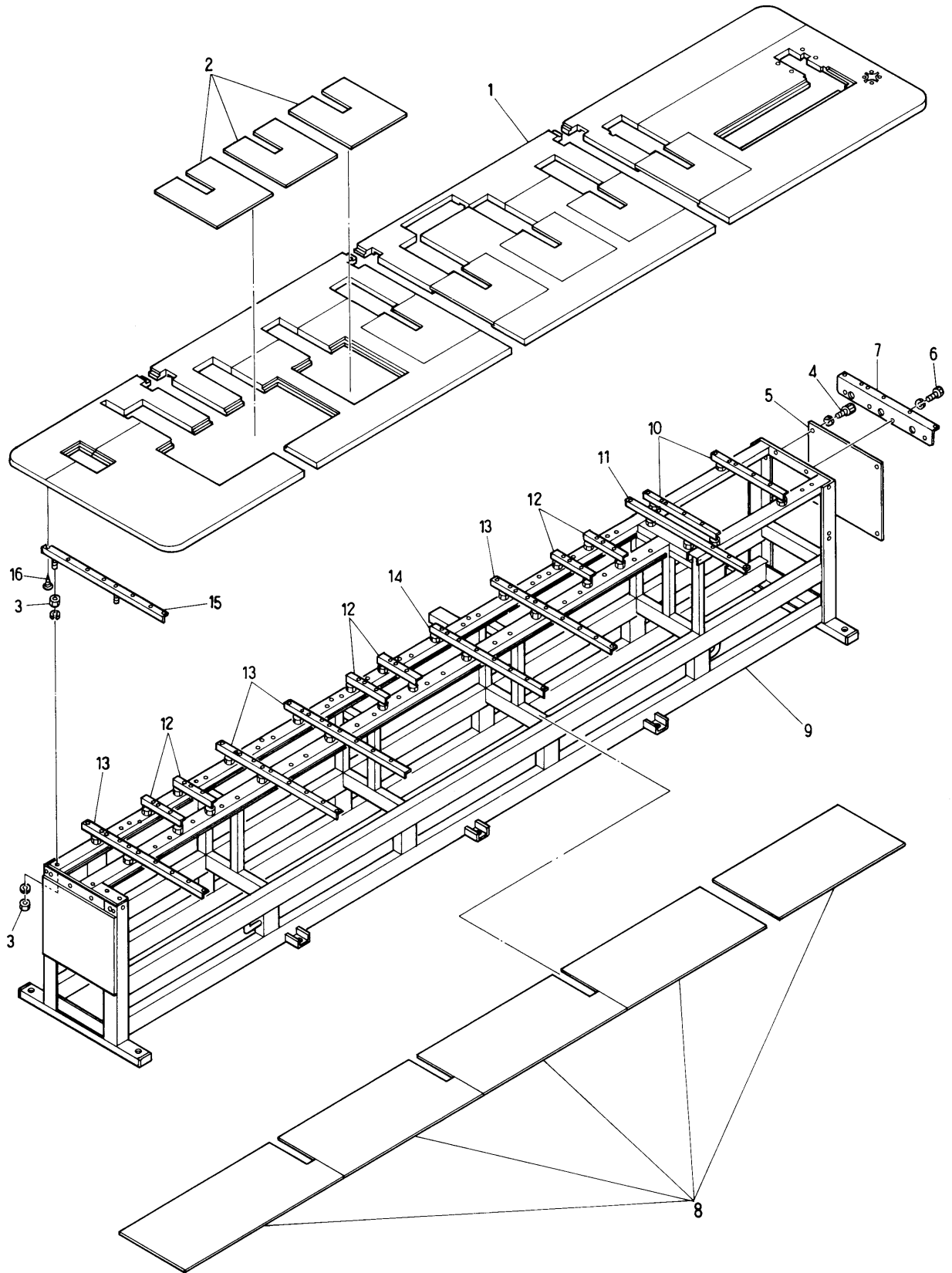




MODEL BEAT 804-M804  
806-M806-YS  
808-M808

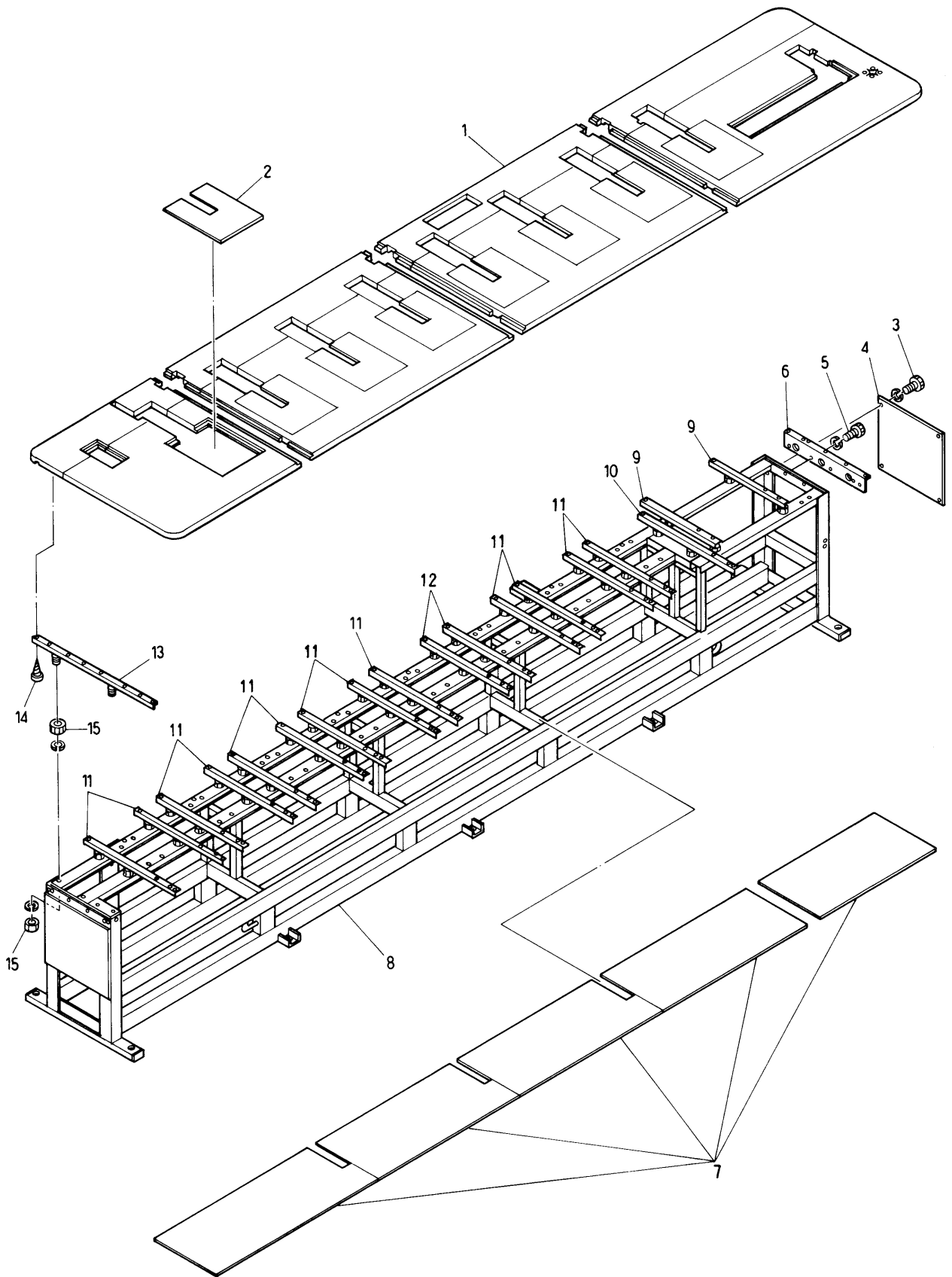






MODEL BEAT 804-M804  
806-M806-YS  
808-M808



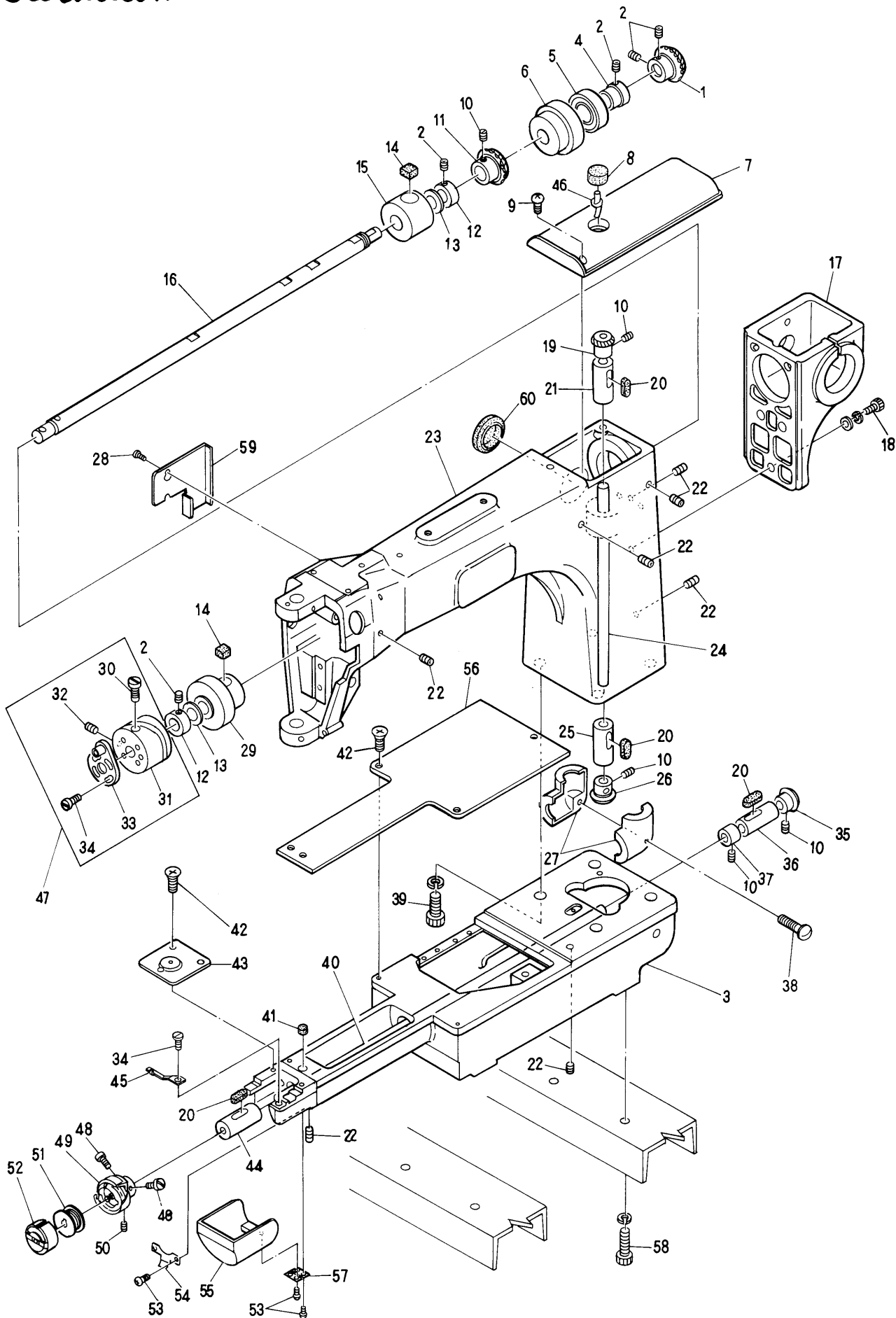


MODEL BEAT 804-MB04  
806-MB06-YS  
808-MB08



Barudan

② Sewing head assembly



804-M804  
MODEL BEAT 806-M806-YS  
808-M808

② Sewing head a'ssy

ITEM	LIST No.	DESCRIPTION	Q'TY	REMARK
1	KL 2 2 0 1 0 0	Top shaft gear (Sppiral bevel M1.5-25R)	1	
2		Hex.socket set screw M6×6		
3	KL 2 1 0 1 1 3	Bed (SRE-T)	1	
4	KL 2 2 0 0 9 0	Top shaft bearing collar	1	
5	A 9 0 1 0 0 1 7	Bearing (6004ZZ)	1	
6	KL 2 2 0 0 4 0	Top sraft bearing case	1	
7	KL 2 5 0 0 4 0	Arm top cover	1	
8	KL 2 2 0 1 5 0	Oil felt D	1	
9		Screw M4×10		
10		Screw (SM1/4 40×4)		
11	KF 2 2 0 1 3 0	Bevel gear	1	
12	KL 2 2 0 0 8 0	Top shaft collar	2	
13	HP 2 3 1 3 9 0	Thrust washer (Top shaft gear)	2	
14	KL 2 2 0 1 3 0	Oil felt B	2	
15	KL 2 2 0 0 3 0	Top shaft metal (Middle)	1	
16	KL 2 2 0 0 0 0	Top shaft	1	
17	KL 2 1 0 1 4 0	Arm gear case	1	
18		Hex, socket bolt M6×25		
19	KF 2 2 0 4 6 0	Bevel gear (Vertical shaft upper)	1	
20	KL 2 2 0 1 4 0	Oil felt C	4	
21	KL 2 2 0 0 5 0	Vertical shaft metal (upper)	1	
22		Hex, socket set screw (F·P) M6×8		
23	KB 2 1 0 1 6 0	Arm	1	
24	KL 2 2 0 0 1 0	Vertical shaft	1	
25	KL 2 2 0 0 6 0	Vertical shaft metal (F)	1	
26	KF 2 2 0 4 7 0	Bevel gear (Vertical shaft lower)	1	
27	KF 2 2 0 2 7 1	Gear cover set	1	
28		Truss screw M4×8		
29	KL 2 2 0 0 2 0	Top shaft metal (Front)	1	
30	KF 2 3 0 4 2 0	Cam set screw	1	
31	KB 2 3 0 0 3 0	Take up lever cam K6	1	
32		Screw M5×25		
33	KB 2 3 0 0 5 0	90° Clamping	1	
34	A 9 0 1 2 0 0 7	Screw	5	
35	KF 2 2 0 4 8 0	Bevel gear (Bottom shaft)	1	
36	KL 2 2 0 0 7 0	Bottom shaft metal (Rear)	1	
37	KF 2 2 0 2 9 0	Bottom shaft collar	1	
38		Screw (SM9/32 20×38)		
39		Hex, socket bolt M12×35		
40	KC 2 2 0 2 1 0	Bottom shaft	1	
41	KL 2 2 0 1 2 0	Oil felt A	1	
42	KF 2 5 0 9 0 0	Needle plate set screw (SM11/64 40×7)	6	
43	MA 2 5 0 1 3 1	Needle plate	1	
44	KF 2 2 0 2 3 0	Bottom shaft metal (Front)	1	
45	KC 2 2 0 6 4 0	Rotating hook bobbin case holder poition boacket	1	

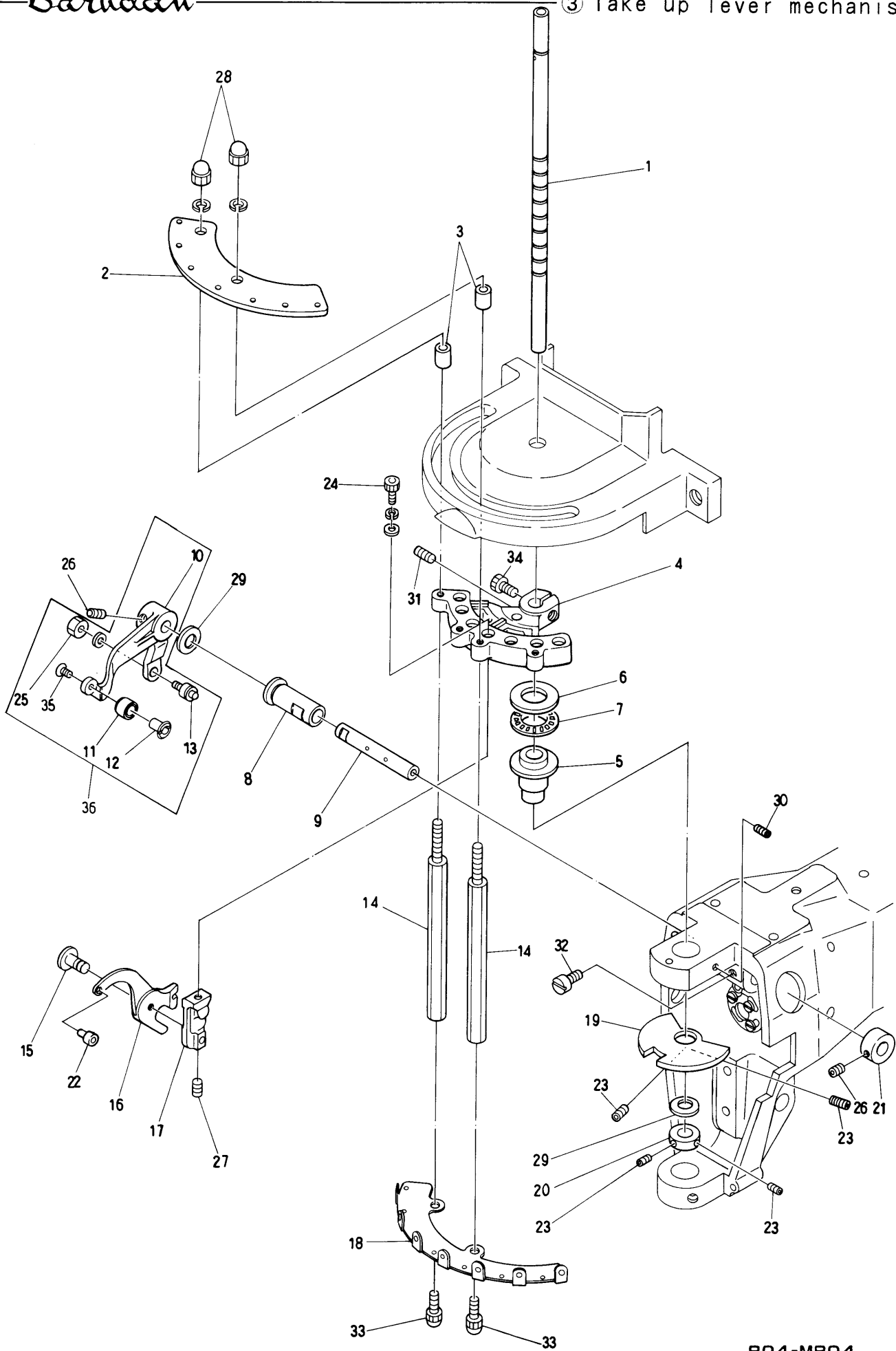






Barudan

③ Take up lever mechanism



MODEL BEAT 804-MB04  
806-MB06-YS  
808-MB08

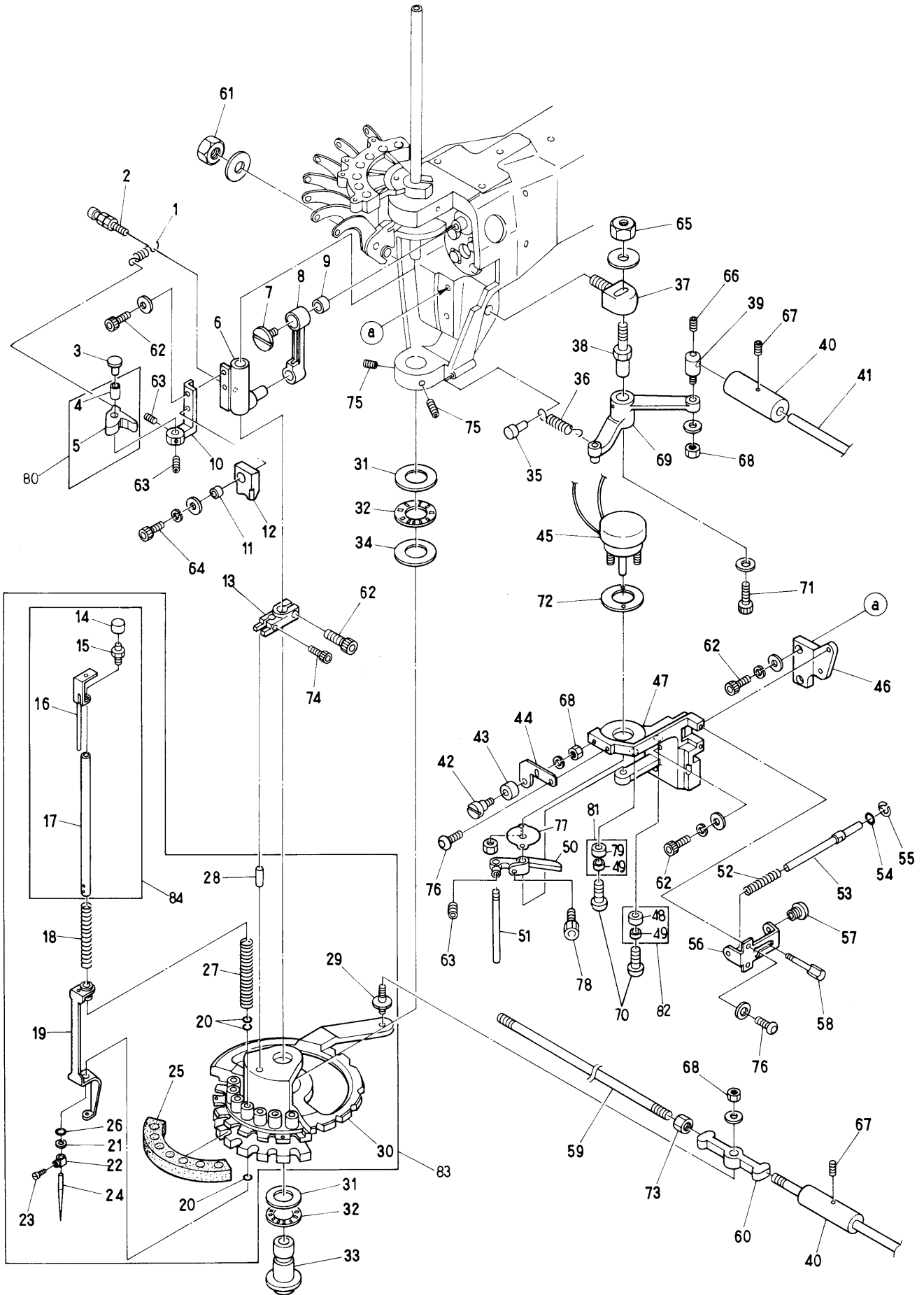
③ Take up lever mechanism

(N=Needle Q'TY)

ITEM	LIST No	DESCRIPTION	Q'TY	REMARK
1	KB230161	Driving shaft	1	
2	HB240180	Thread guide plate (7)	1	
	HB240290	Thread guide plate (5)	1	
3	KB240020	Thread fixing collar	2	
4	HB230291	Take up lever fixing bracket	1	
5	KB230090	Driver shaft upper metal	1	
6	A9011152	Thrust needle bearing innerring (WS1528)	1	
7	A9011021	Thrust bearing NTB-1528	1	
8	KB230100	Take up lever driving shaft metal	1	
9	KB230110	Take up lever driving shaft	1	
10	KB230120	Take up lever driving lever	1	
11	HB230320	Take up lever driving roller	1	
12	HB230331	Take up lever driving roller shaft	1	
13	KF230530	Take up lever roller a'ssy	1	
14	KB240010	Thread fixing rod	2	
15	HB230310	Take up lever shaft	1	
16	KB230150	Take up lever	N×1	
17	KB230141	Take up lever base	N×1	
18	HB240171	Thread hanger (7)	1	
	HB240280	Thread hanger (5)	1	
19	KB230130	Take up lever sttocker	1	
20	HB230160	Driving shaft set collar	1	
21	HB230270	Neelde bar driving lever fixing pin set collar	1	
22	KF230580	Take up lever thread eyelet ceramic	N×1	
23		Hex, socket set screw M4×4		
24		Hex, socket bolt M4×12		
25		Hex, nut SM 7/32		
26		Hex, socket set screw M5×6		
27		Hex, socket set screw M3×5		
28		Cap nut M4		
29	A9012164	Thrust washer (R-TW0815)	2	
30		Hex, socket set screw M6×6		
31		Hex, socket set screw (C.P) M4×5		
32		Screw (SM11/64×11)		
33		Cap botl M4×8		
34		Hex, socket botl M4×15		
35	HB230650	Flush screw M3×8 (with adhesion)	1	
36	KB230310	Take up lever drive lever a'ssy	1	

Barudan

④ Needle bar • Jump mechanism

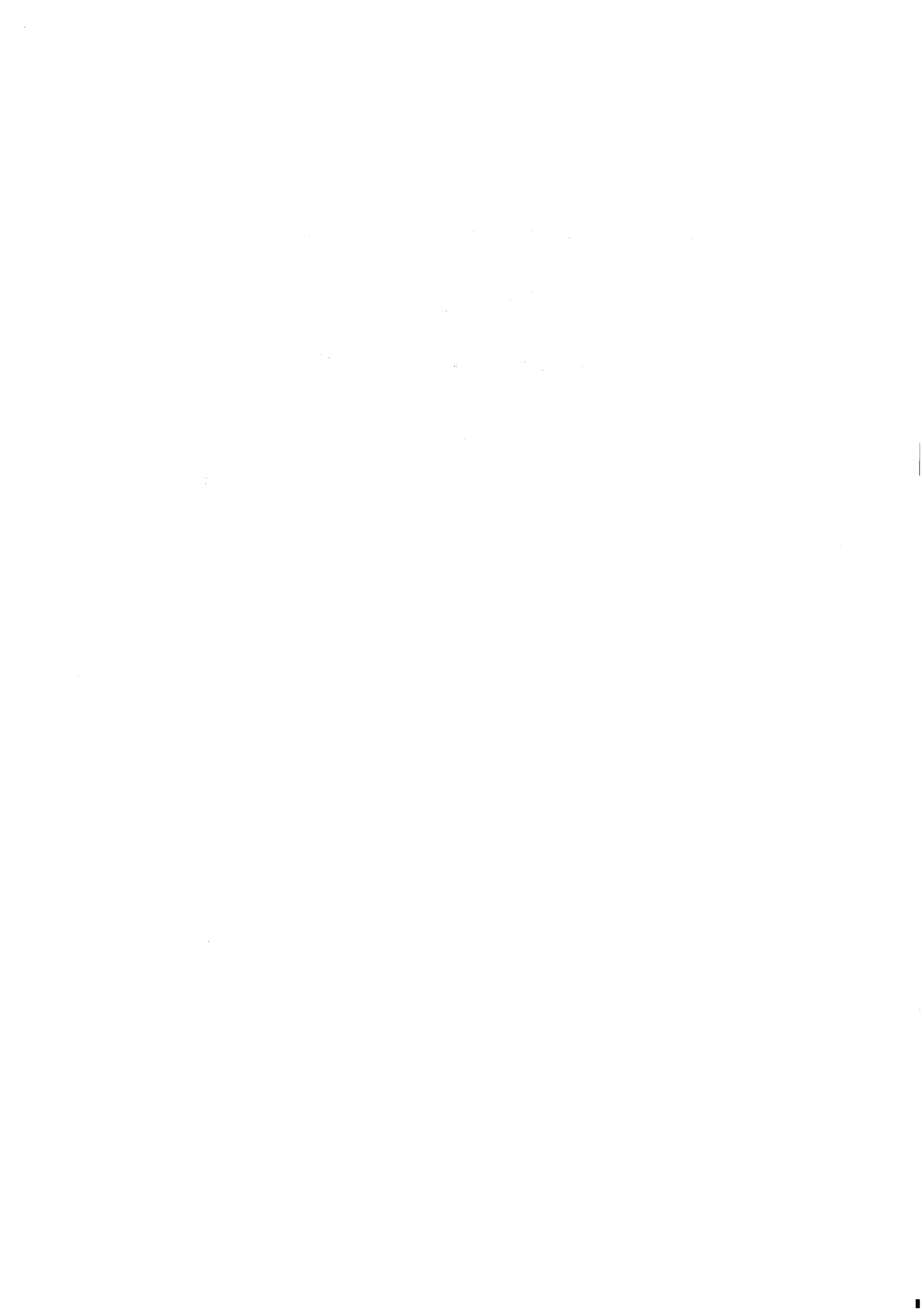


804-M804  
MODEL BEAT 806-M806-YS  
808-M808

## ④ Needle bar -Jamp mechanism

(N=needle Q'ty)

ITEM	LIST No.	DESCRIPTION	Q'TY	REMARK
1	HB 2 3 0 4 0 1	Needle bar driver return spring	1	
2	HB 2 3 0 5 9 0	Fixed screw for return spring	1	
3	HB 2 3 0 3 9 0	Needle bar driver fixing pin	1	
4	A 9 0 1 2 1 9 0	DU Bush (MB0606DU)	1	
5	HB 2 3 0 3 8 1	Needle bar driver	1	
6	KB 2 3 0 0 8 0	Needle bar driver guide block	1	
7	KB 2 3 0 0 7 0	90° Crank left-handed screw	1	
8	KB 2 3 0 0 6 0	Crank rod	1	
9	A 9 0 1 1 1 1 5	Needle bearing (K9×12×10T2)	1	
10	HB 2 3 0 3 7 1	Needle bar driver fixing base	1	
11	HB 2 3 0 4 2 0	Needle bar driver stopper set collar	1	
12	HB 2 3 0 4 1 4	Needle bar driver stopper	1	
13	HB 2 3 0 1 7 0	Driving shaft fixed plate	1	
14	KN 2 3 1 3 5 0	Needle bar cap	N×1	
15	HB 2 3 0 5 3 1	Needle bar guide fitting screw	N×1	
16	HB 2 3 0 5 2 1	Needle bar guide	N×1	
17	HB 2 3 0 5 1 1	Needle bar	N×1	
18	HB 2 3 0 5 4 0	Needle bar spring (Upper)	N×1	
19	KG 2 3 0 0 2 0	Pressure foot	N×1	
20	KF 2 3 0 9 1 0	O-Ring (S)	N×3	
21	KF 2 3 0 9 3 0	Spacer	N×1	
22	KF 2 3 0 2 3 0	Needle clamp	N×1	
23	KF 2 3 0 2 4 0	Needle clamp screw (SM9/64 40)	N×1	
24	KF 2 3 0 2 5 0	Needle (DBK5-11)	N×1	
25	KL 2 3 0 1 1 0	Turret plate oil pad	1	
26	KF 2 3 0 9 2 0	O-Ring (L)	N×1	
27	KF 2 3 0 2 1 0	Pressure foot spring	N×1	
28	A 9 0 1 2 2 9 1	Parallel pin $\phi$ 5×14ℓ	1	
29	HB 2 3 0 5 5 0	Turret plate joint pin	1	
30	HB 2 3 0 4 4 1	Turret plate (5)	1	
	HB 2 3 0 4 3 1	Turret plate (7)	1	
31	A 9 0 1 1 0 2 3	Thrust bearing outer (GS1528)	2	
32	A 9 0 1 1 0 2 1	Thrust bearing (NTB-1528)	2	
33	HB 2 3 0 1 4 0	Driver shaft under metal	1	
34	A 9 0 1 1 0 2 2	Thrust washer (AS-1528)	1	
35	KF 2 3 0 6 7 0	Lock lever spring pin	1	
36	KF 2 3 0 6 6 1	Lock lever spring	1	
37	KF 2 3 0 6 5 0	Lock lever bracket	1	
38	KF 2 3 0 6 3 0	Lock lever shaft	1	
39	KF 2 3 0 6 4 0	Lock connecting bar clamp	1	
40	KF 3 3 0 3 8 1	Lock bar hand grip	2	
41	KC 3 3 0 4 1 0	Lock connecting rod (2M)	3	
42	HB 2 3 0 4 6 0	Needle bar stopper fixed pin	1	
43	HB 2 3 0 4 7 0	Needle bar stopper	1	
44	KB 2 3 0 1 7 0	Needle bar stopper fixed bracket	1	

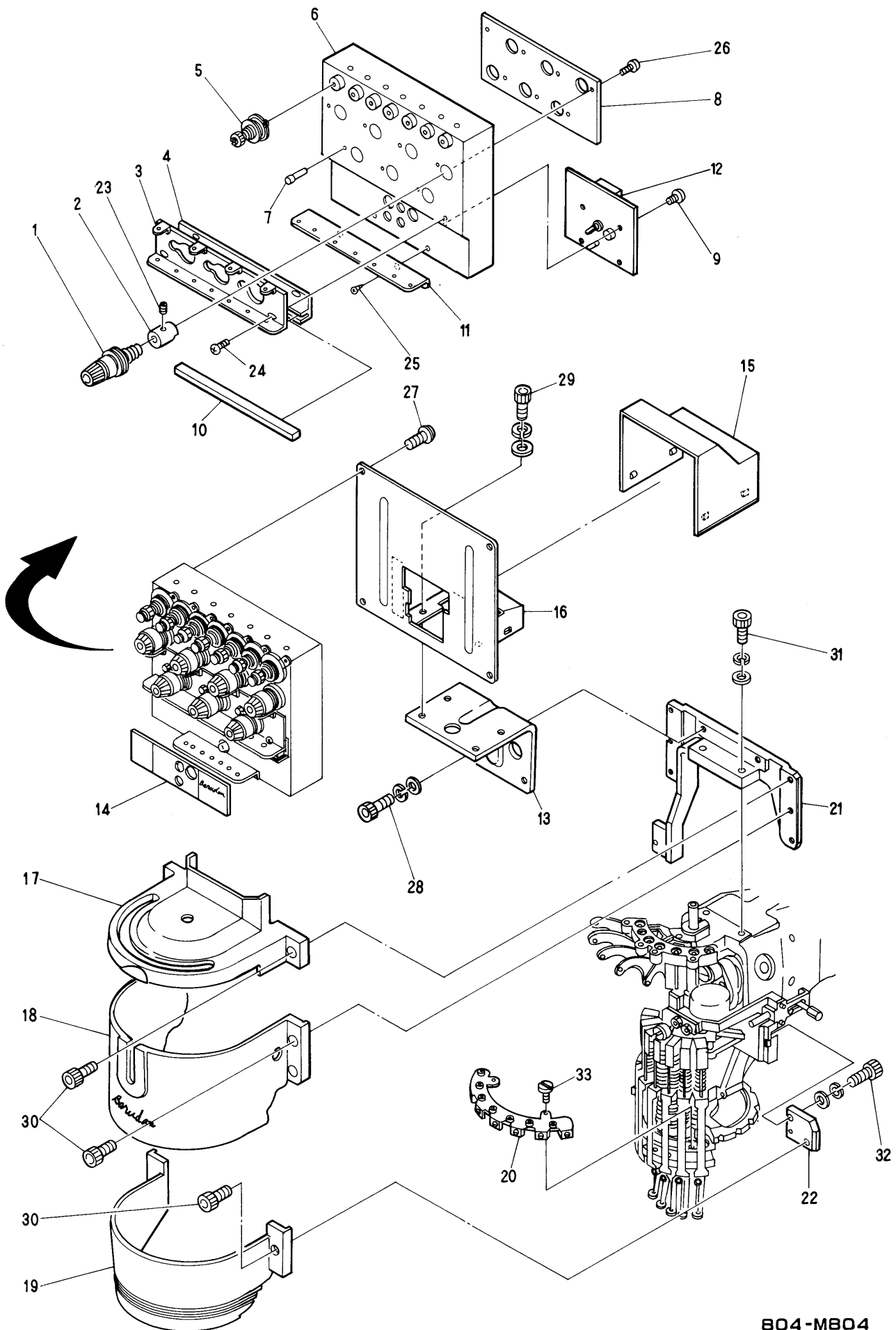


④ Needle bar • Jamp mechanism (※ change the LIST No. by machine type) (N=needle Q'ty)

ITEM	LIST No.	DESCRIPTION	Q'TY	REMARK
4 5	A 9 0 5 6 0 2 0	Rotary solenoid (3ER-35-3×8×9)	1	
4 6	KB 2 1 0 1 7 0	Solenoid bracket fixing base	1	
4 7	KB 2 4 0 0 3 0	Jump solenoid fixing bracket	1	
4 8	HB 2 4 0 0 5 0	Eccentric collar (φ11)	1	
4 9	HB 2 4 0 0 4 0	Eccentric stopper	2	
5 0	HB 2 4 0 0 2 0	Jump solenoid lever	1	
5 1	HB 2 4 0 0 3 0	Jump solenoid lever pin	1	
5 2	HB 2 4 0 1 1 0	Cancel return spring	1	
5 3	HB 2 4 0 0 7 0	Cancel rod	1	
5 4	A 9 0 1 4 0 5 1	O-Ring P-5	1	
5 5	A 9 0 1 2 0 5 1	E-Ring (φ6)	1	
5 6	KB 2 4 0 0 4 0	Cancel bracket	1	
5 7	HB 2 4 0 0 9 0	Cancel rod guide	1	
5 8	HB 2 4 0 0 8 0	Manual cancel pin	1	
5 9	KC 3 3 0 3 1 0 3 8 0	Turret plate connecting rod (L=330)	1	※
6 0	A 9 0 1 2 0 0 5	Uniball joint (NMBRD4-020N)	1	first head
	A 9 0 1 2 0 0 3	Uniball joint (NMBRD4-020N)	1	final head
6 1		Hex. nut M10		
6 2		Hex. socket bolt M4×12		
6 3		Hex. socket set screw M4×4		
6 4		Hex. socket bolt M4×15		
6 5		Hex. nut M8		
6 6		Hex. socket set screw M4×6		
6 7		Hex. socket set screw M5×5		
6 8		Hex. nut M4		
6 9	KL 2 3 0 1 8 0	Lock lever	1	
7 0		Hex. socket button M4×12		
7 1		Hex. socket bolt M5×10		
7 2	HB 2 3 0 5 6 0	Sheet for rotary solenoid	1	
7 3		Hex. nut M5		
7 4		Hex. socket bolt M3×12		
7 5	A 9 0 1 2 0 5 3	Hex. socket set screw M6×0.75×8	2	
7 6		Hex. socket button bolt M4×10		
7 7	HB 2 3 0 5 8 0	Solenoid prevention noise cover	1	
7 8		Hex. socket bolt M4×8		
7 9	HB 2 4 0 3 1 0	Eccentric collar (φ12)	1	
8 0	<del>HB 2 3 0 7 0 0</del>	Needle bar driver lever a'ssy	1	HT230201
8 1	HB 2 4 0 3 4 0	Eccentric stopper a'ssy (φ12)	1	
8 2	HB 2 4 0 3 3 0	Eccentric stopper a'ssy (φ11)	1	
8 3	HB 2 3 0 6 0 0	Turret plate a'ssy (YS)	1	
	HB 2 3 0 6 1 0	Turret plate a'ssy (YF)	1	
8 4	<del>HB 2 3 0 5 7 0</del>	Needle bar driver a'ssy	1	HB230502

Barudan

⑤ Thread guide mechanism



MODEL BEAT 804-M804  
806-M806-YS  
808-M808



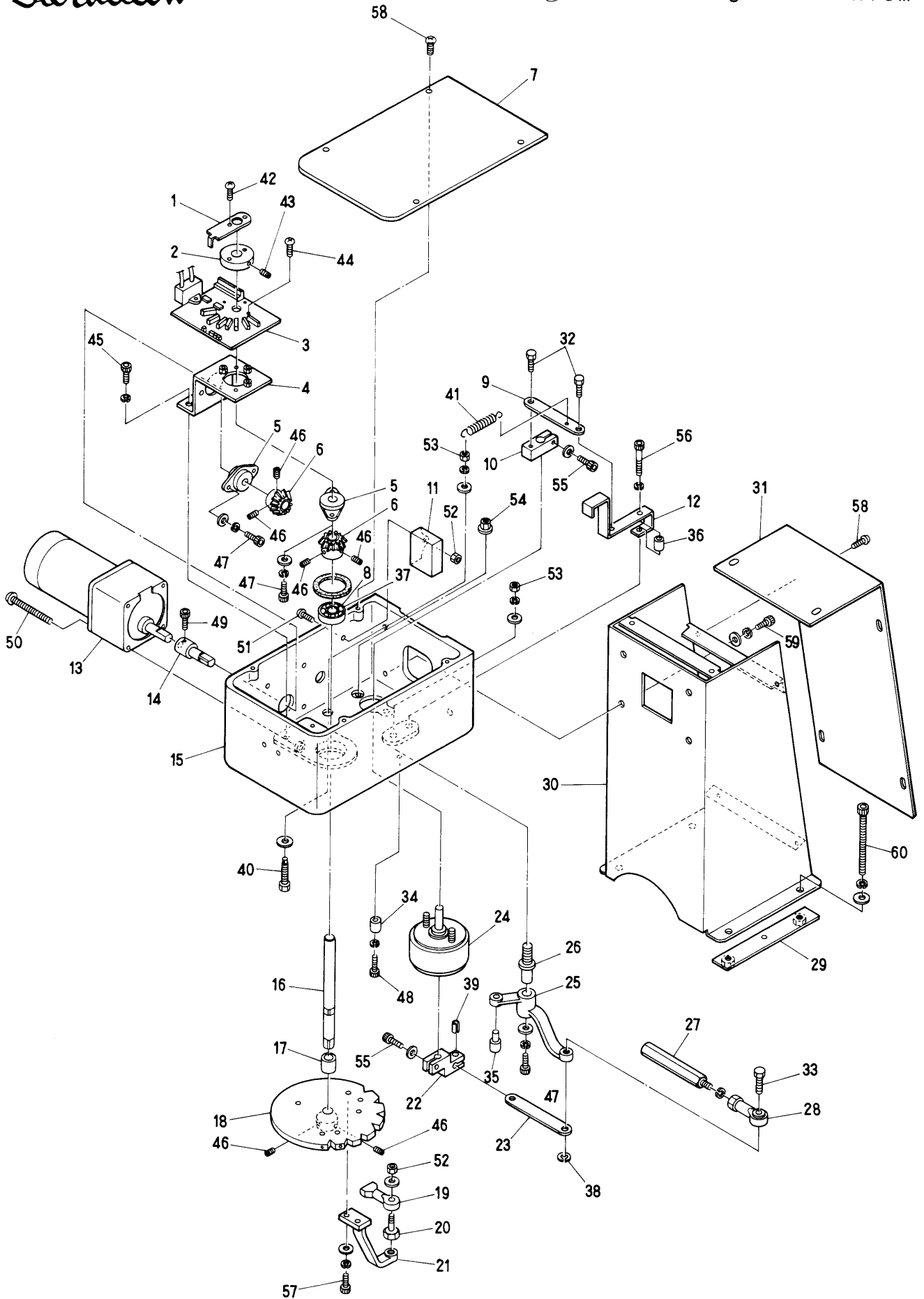
⑤ Thread guide mechanism

(N=Needle Q'TY)

ITEM	LIST No.	DESCRIPTION	Q'TY	REMARK
1	HP 2 4 1 4 1 0	Dial type tension unit complete	N×1	
2	HP 2 4 1 1 5 0	Tension base (with screw)	N×1	
3	HP 2 4 1 1 8 0	First thread guide (7)	1	
	HP 2 4 1 1 7 0	First thread guide (5)	1	
4	HP 2 4 1 4 6 0	Thread guide felt fixing plate (7)	1	
	HP 2 4 1 4 5 0	Thread guide felt fixing plate (5)	1	
5	KG 2 4 1 0 2 0	Upper tension unit complete	N×1	
6	HP 2 4 1 1 2 2	Tension base (7)	1	HP241160 HP241150
	HP 2 4 1 1 1 2	Tension base (5)	1	HP241160 HP241150
7	HP 2 4 1 1 6 0	Upper thread detection pin	N×1	
8	HP 2 4 1 3 8 1	Tension earth plate (7)	1	
	HP 2 4 1 3 7 1	Tension earth plate (5)	1	
9		Tapping screw 2×8		
10	HP 2 4 1 4 8 0	Thread guide felt (7)	1	
	HP 2 4 1 4 7 0	Thread guide felt (5)	1	
11	HB 2 4 0 2 6 0	Second thread guide plate (7)	1	
	HB 2 4 0 2 7 0	Second thread guide plate (5)	1	
12	EBN 0 1 1 0 0	Head board for thread cutting (108800004)	1	There is thread cut
	EBN 0 0 6 5 0	Thread cut sensorium board (70204200)	1	There is no thread cut
13	KB 2 4 0 0 5 1	Tension base bracket	1	
14	KU 2 4 1 4 0 0	Tension base label	1	There is thread cut
	HP 2 4 1 4 0 0	Tension base label	1	There is no thread cut
15	KB 2 4 0 1 0 0	Tension cable cover	1	
16	KB 2 4 0 0 6 0	Tension base (7)	1	
	KB 2 4 0 0 7 0	Tension base (5)	1	
17	KB 2 5 0 0 2 0	Sewign head cover A	1	
18	KB 2 5 0 0 3 0	Sewign head cover B	1	
19	KB 2 5 0 0 4 0	Sewign head cover C	1	
20	KG 2 5 0 0 1 0	Thead end trap unit a'ssy(7)	1	
	HP 2 5 0 0 5 0	Thead end trap unit a'ssy(5)	1	
21	KB 2 5 0 0 5 0	Sewing head fixing bracket	1	
22	KB 2 5 0 0 6 0	Sewing head fixing stay	1	
23		Set screw (SM11/64 山40×5.5)		
24		Truss screw M4×6		
25		Tapping screw M3.5×8		
26		Pan screw M3×4		
27		Pan screw with washer M4×8		
28		Hex. socket bolt M5×20		
29		Hex. socket bolt M5×8		
30		Hex. socket bolt M4×6		
31		Hex. socket bolt M4×20		
32		Hex. socket bolt M4×15		
33		Screw SM9/64 40×10		

Barudan

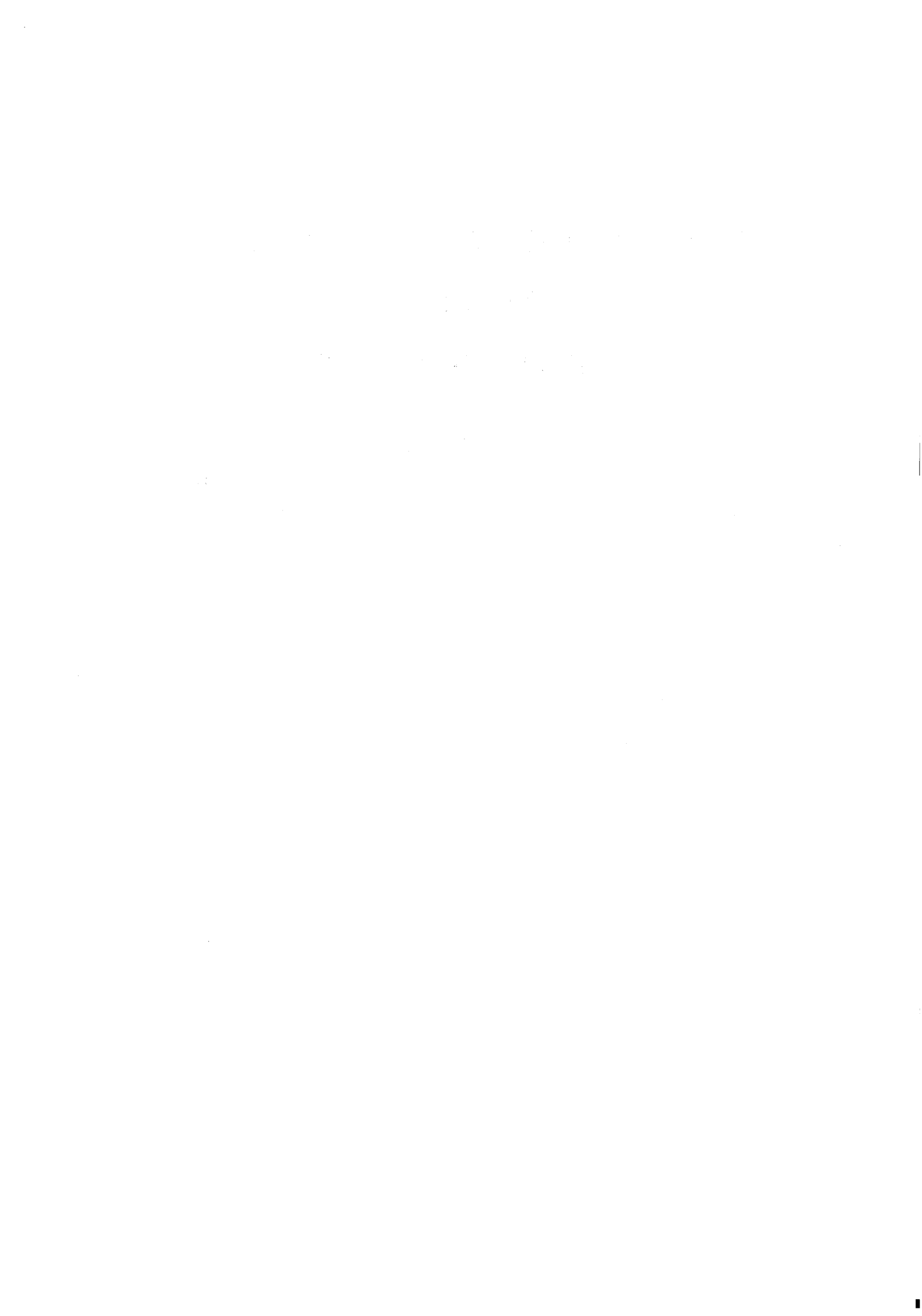
⑥ Color change mechanism



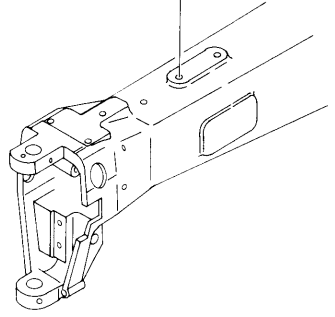
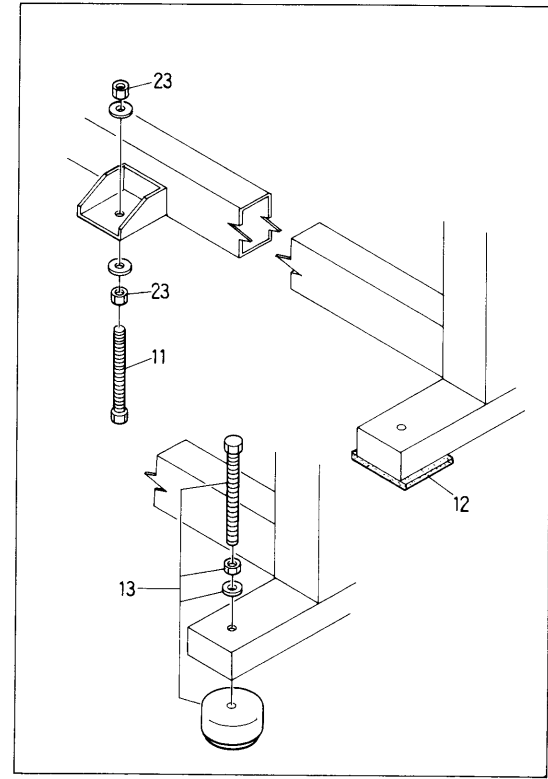
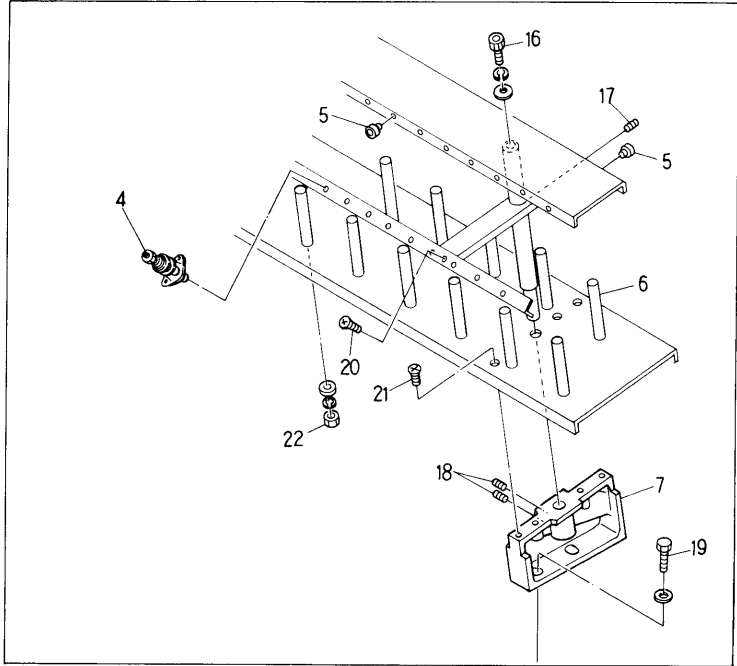
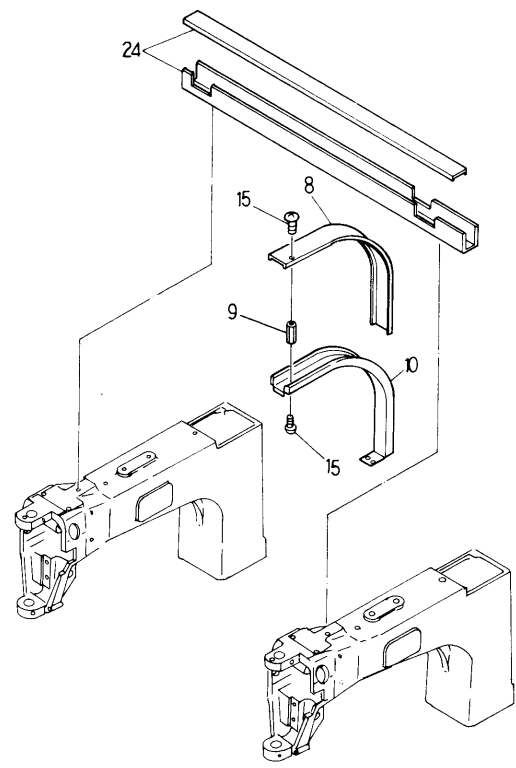
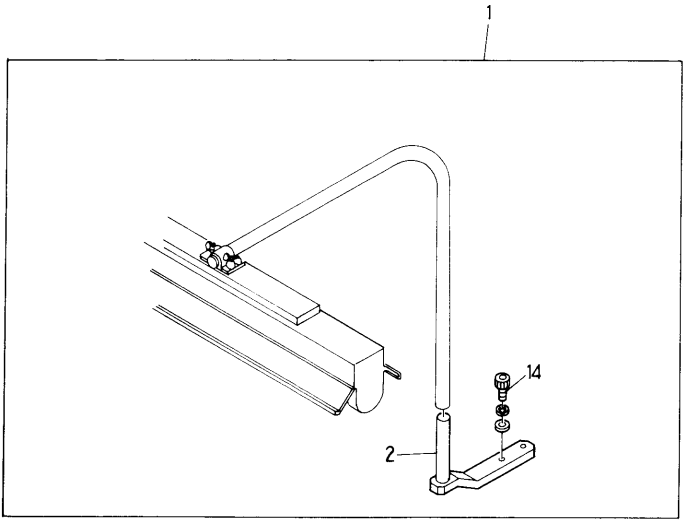
MODEL BEAT 804-M804  
806-M806-YS  
808-M808

⑥ Color change mechanism

ITEM	L I S T No.	D E S C R I P T I O N	Q'TY	R E M A R K
1	HH330281	Detection plate	1	
2	KC330170	Detection plate collar	1	
3	EBN00660	SDU Color change board (7020-4100)	1	
4	KU331910	Color change board base	1	
5	A9011049	Oilless pillow 80 (80FL-10)	2	
6	HH330620	Miter bevel gear	2	
7	KU331740	Color change box cover	1	
8	A9012150	Thrust washer (TW1530)	1	
9	HP331940	Lock detection plate (drive plate)	1	
10	HP331960	Lock detection plate (drive lever)	1	
11		Condensor (3381H Option)	1	
12	KU331930	Lock detection plate	1	
13	HH330810	Geard motor RM-F6A5PC3-AS-180	1	
14	HP331570	Geard motor shaft	1	
15	KU331900	Turrit control box	1	
16	HP331580	Needle turning shaft	1	
17	HP331590	Positing color	1	
18	KG330150	Control turning plate	1	
19	A9012001	Uniball joint (RD4 020R)	1	
20	HP331660	Turret plate joint pin	1	
21	KU331520	Color change plate lever	1	
22	HP331550	Lock solenoid lever	1	
23	HP331600	Lock lever link	1	
24	A9056011	Rotary solenoid 6SR25-27X3.4.9	1	
25	HP331531	Turrit lock lever	1	
26	KF230630	Lock lever shaft	1	
27	KC330510	Hex.connecting bar (L)	1	
28	A9012002	Uniball joint (PR-6)	1	
29	KU331730	Color change box stay setting plate	2	
30	KU331712	Color change box setting stay	1	
31	KU331722	Cover for color change box setting stay	1	
32	HP331700	Lock detection plate driving plate pin	2	
33	HP331560	Lock lever pin	1	
34	HH330670	Eccentric stopper	1	
35	KF230620	Lock lever roller	1	
36	HP331950	Lock detection plate turret shaft	1	
37	A9010001	Bearing (6000ZZ)	1	
38	A9012055	E-Ring (φ4)	1	
39	A9012143	Spring (φ6 L=12)	1	
40	KU331750	Sub spring pin for lock	1	
41	KU331760	Sub spring for lock	1	
42		Truss screw M3×6		
43		Hex.socket set screw M5×8		
44		Truss screw M3×4		
45		Hex.socket bolt M6×12		

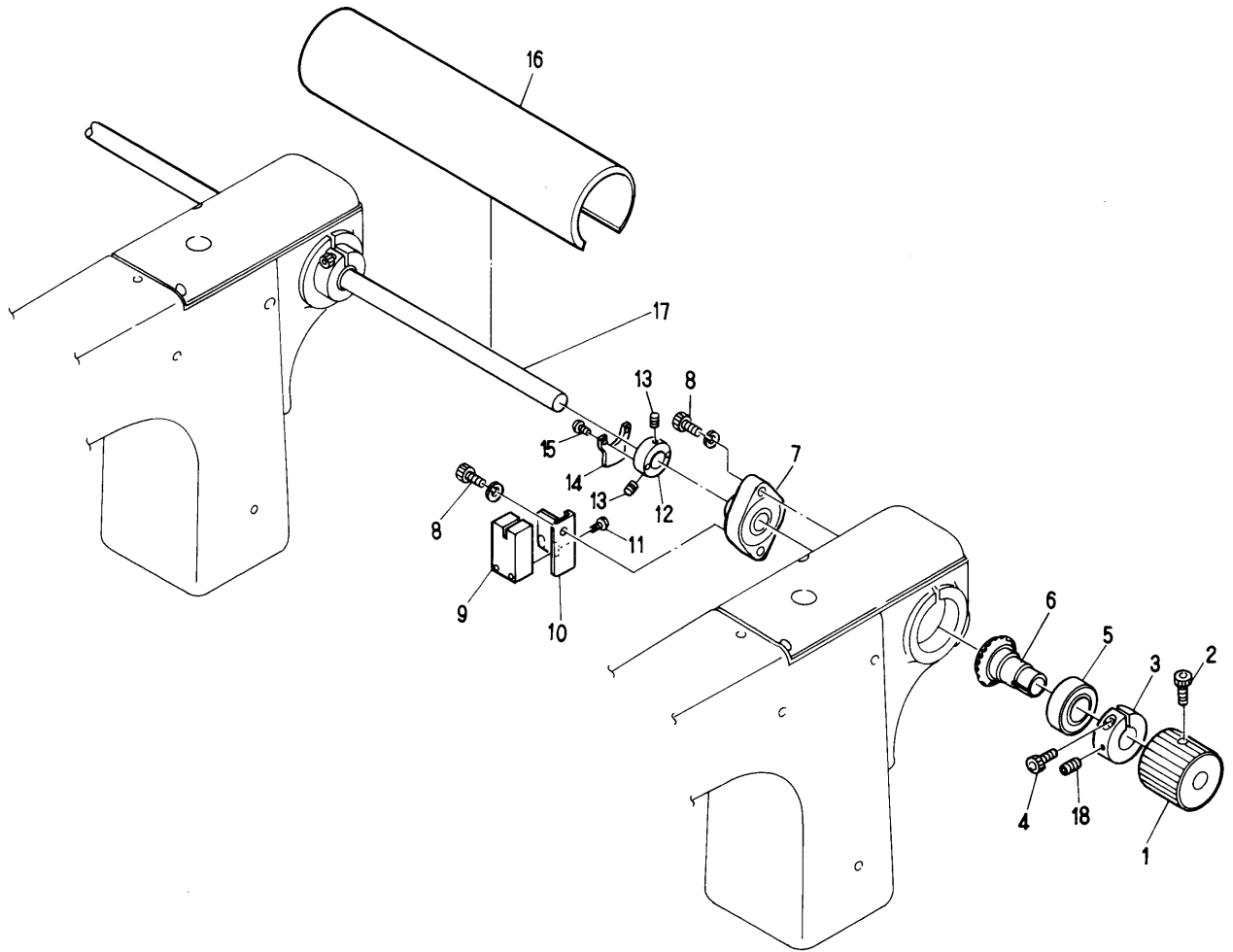






MODEL BEAT 804-M804  
806-M806-YS  
808-M808

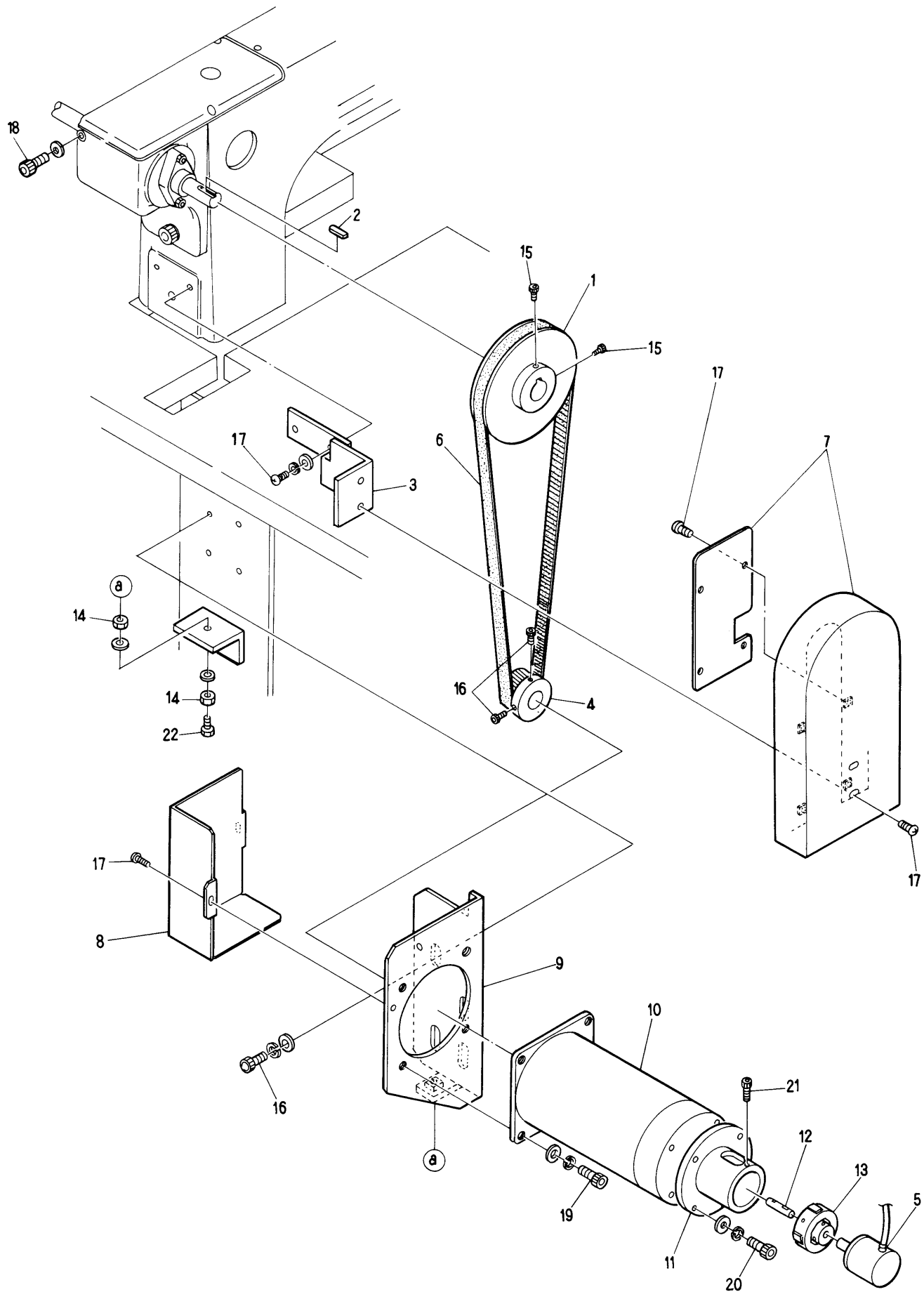




MODEL BEAT 804-M804  
806-M806-YS  
808-M808



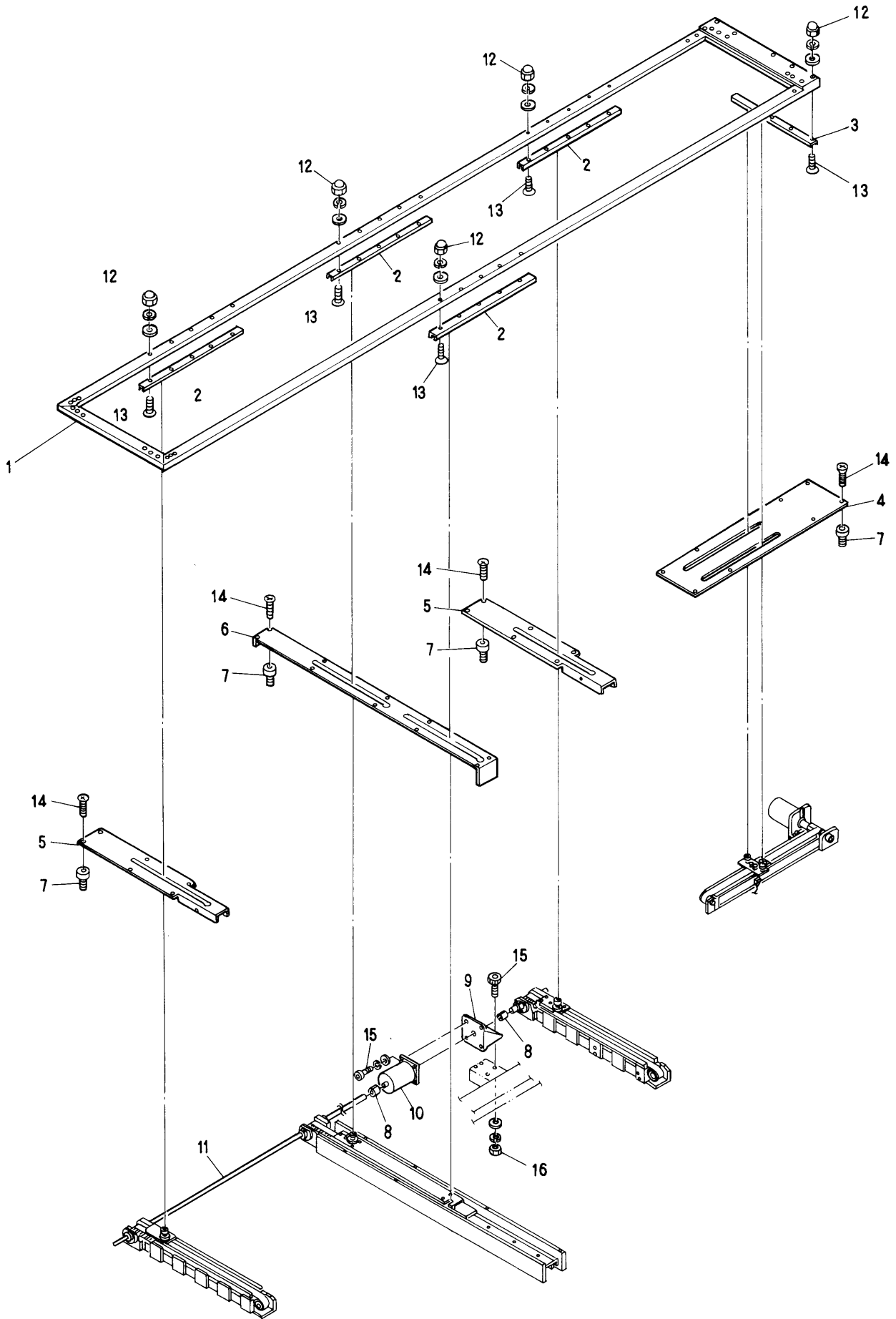




MODEL BEAT 804-M804  
806-M806-YS  
808-M808

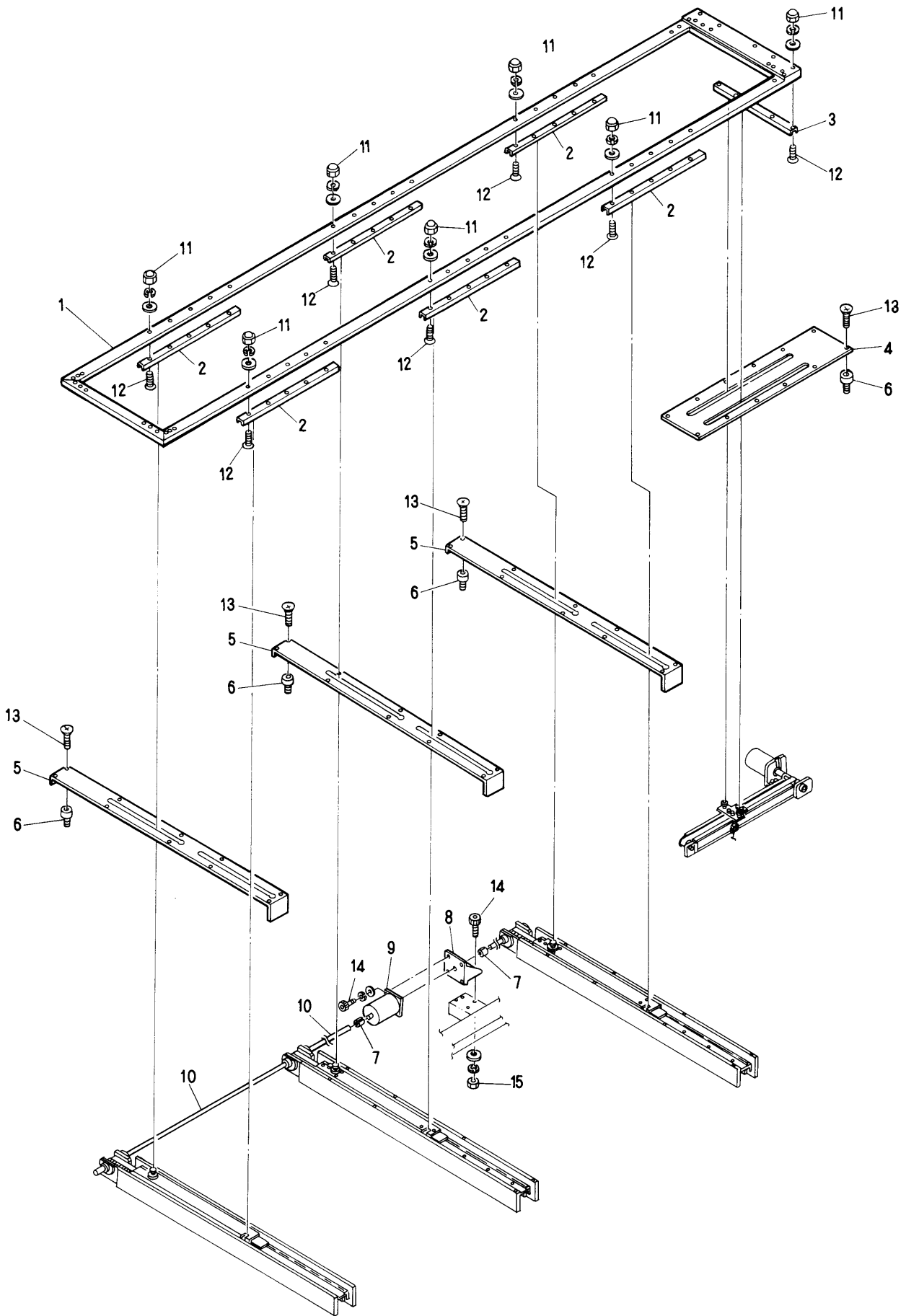
⑨ Drive mechanism

ITEM	LIST No.	DESCRIPTION	Q'TY	REMARK
1	KU 3 1 2 7 3 0	Timing pully (P78-5M2-20-6F)	1	
2	KU 3 1 5 2 5 0	Key (5×5×28.5)	1	
3	KU 3 1 2 7 5 1	Belt cover fixing bracket	1	
4	KU 3 1 2 7 2 0	Motor Pulley (P26-5M2-20-6F)	1	
5	MT 5 1 0 2 1 0	Position corder (LBJ-007-600)	1	
6	A 9 0 2 0 1 1 6	Timing belt 1025-5M2-20(75205)	1	
7	KU 3 1 2 7 4 2	Belt cover	1	
8	KU 3 1 0 1 5 3	Pulley cover	1	
9	KU 3 1 0 0 7 2	Motor base (BEAT-804)	1	
	KU 3 1 0 0 8 2	Motor base (BEAT-806,808)	1	
10	KU 3 1 0 1 3 0	DC motor (DTM-70150)(806,808)	1	
	MT 3 1 0 1 3 0	DC motor (DTM-5270C)(804)	1	
11	MT 3 1 4 4 2 0	Encorder fixing color	1	
12	MT 3 1 4 4 1 0	Encorder shaft	1	
13	KC 5 1 0 2 4 0	ML-27-6 Rateral coupling	1	
14		Hex. nut M8		
15		Hex. socket bolt M6×20		
16		Hex. socket bolt M6×15		
17		Truss screw M4×6		
18		Hex. socket bolt M6×60		
19		Hex. socket bolt M8×30		
20		Hex. socket bolt M4×12		
21		Hex. socket bolt M2×12		
22		Hex. bolt M8×45		



MODEL BEAT 804-M804  
808-M808-YS  
808-M808



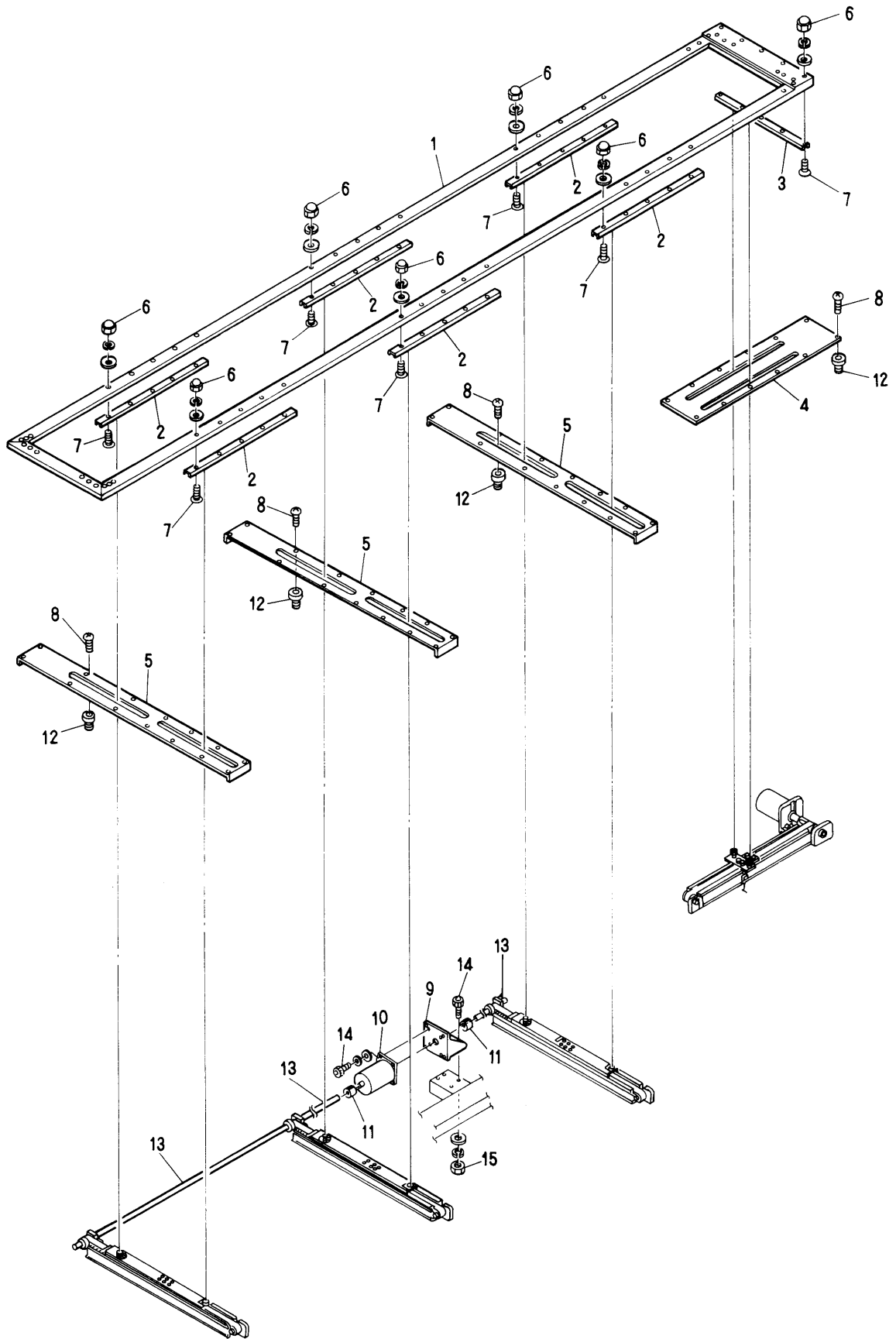


MODEL BEAT 804-M804  
806-M806-YS  
808-M808

⑩ Pantograph drive mechanism I - ②

P=450

ITEM	LIST No.	DESCRIPTION	Q'TY	REMARK
1	MA 4 5 0 7 6 0	Pantograph frame (AT-806.P450)	1	
	MA 4 6 0 2 1 0	Pantograph frame (AT-804.P450)	1	
	KC 4 5 0 2 5 0	Pantograph frame (AT-808.P450)	1	
2	KN 4 8 0 4 0 0	Guide rail (470L)	6	
3	KC 4 8 0 3 5 0	Guide rail (470L)	1	
4	KU 4 8 1 0 5 0	V-Guide cover (Stroke 480)	1	
5	KC 4 8 1 2 6 0	H-Center guide cover	3	
6		Nut (C) M4		
7	HH 4 8 1 9 3 1	Pulse motor coupling	2	
8	KU 4 7 0 1 5 1	H-Pulse motor bracket	1	
9	KU 4 7 0 1 1 0	Pulse motor (103-8932-0111)	1	
10	MA 4 8 1 0 8 0	Pulse motor connecting shaft (AT-806.P450)	1	
	MA 4 7 1 1 8 0	Pulse motor connecting shaft (AT-804.P450)	1	
	MA 4 7 1 1 4 0	Pulse moter connecting shaft (AT-808.P450)	1	
11		Cap nut M4		
12		Flush screw M4×12		
13		Flush screw M4×6		
14		Hex. socket bolt M6×22		
15		Hex. nut M6		
16				



MODEL BEAT 804-M804  
806-M806-YS  
808-M808



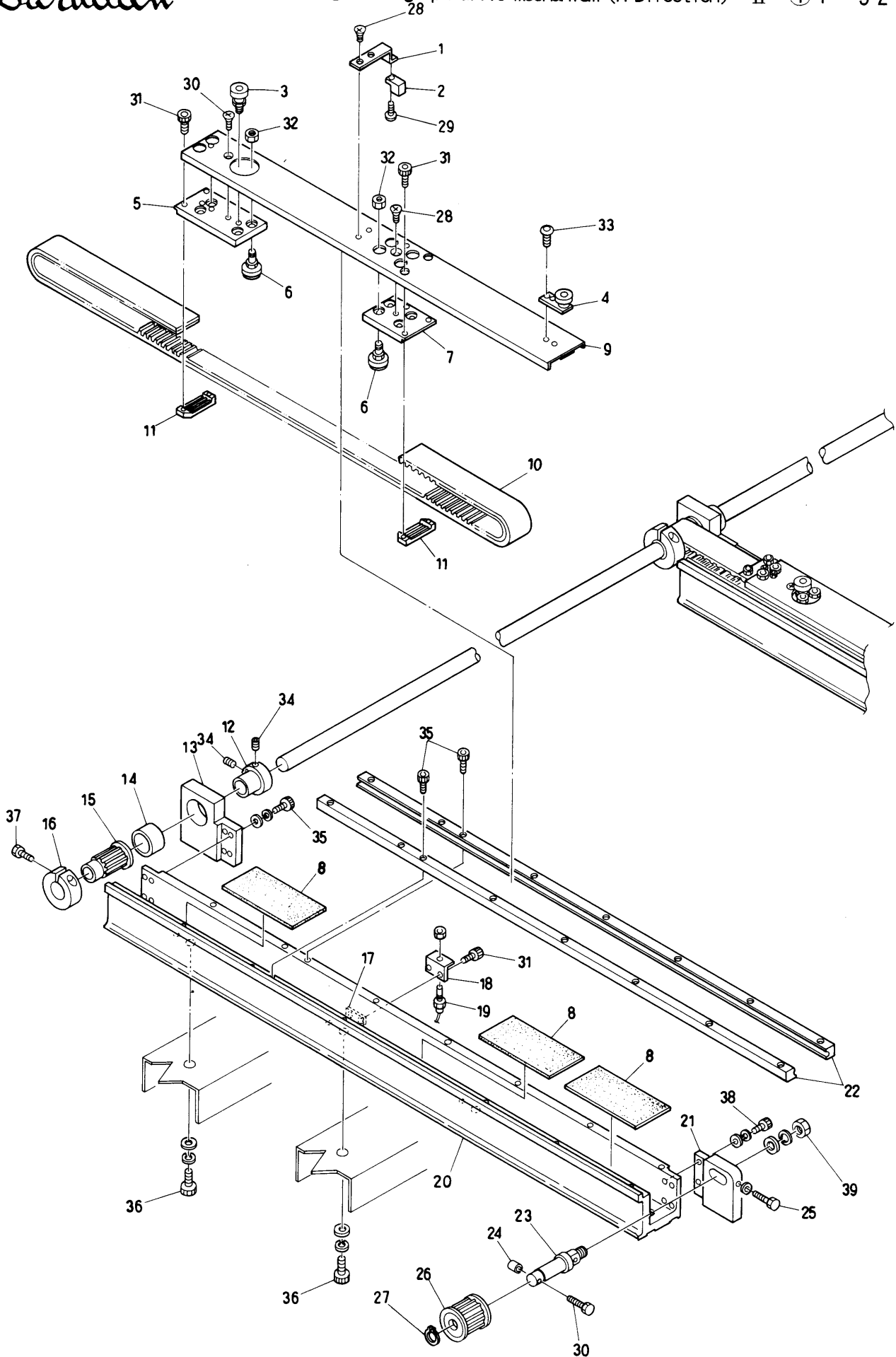
⑩ Pantograph drive mechanism I - ③

P=520

ITEM	LIST No.	DESCRIPTION	Q'TY	REMARK
1	MA 4 5 0 5 2 0	Pantograph frame (AT-806,P520)	1	
	MA 4 6 0 2 0 0	Pantograph frame (AT-804,P520)	1	
	MA 4 5 0 7 7 0	Pantograph frame (AT-808,P520)	1	
2	KN 4 8 0 4 2 0	Guide rail (920L)	6	
3	KC 4 8 0 3 5 0	Guide rail (470L)	1	
4	KU 4 8 1 0 9 0	V-Guide cover (Stroke 520)	1	
5	KC 4 8 0 1 5 0	H-Center guide cover	3	
6		Cap nut M4		
7		Flush screw M4×12		
8		Flush screw M4×6		
9	KU 4 7 0 1 5 1	H-Pulse motor bracket	1	
10	KU 4 7 0 1 1 0	Pulse motor (103-8932-0111)	1	
11	HH 4 8 1 9 3 1	pulse moter coupling	2	
12		Nut (C) M4		
13	KU 4 9 0 7 1 0	Pulse moter connecting shaft (AT-806,P520)	1	
	KU 4 9 0 7 2 0	Pulse moter connecting shaft (AT-804,806,P520)	1	AT-804...2 AT-806...1
	HB 3 2 0 0 7 0	Pulse moter connecting shaft (AT-808,P520)	1	
14		Hex, socket bolt M6×22		
15		Hex, nut M6		

Barudan

⑪ Pantograph drive mechanism (H-Direction) II-① P = 5 2 0

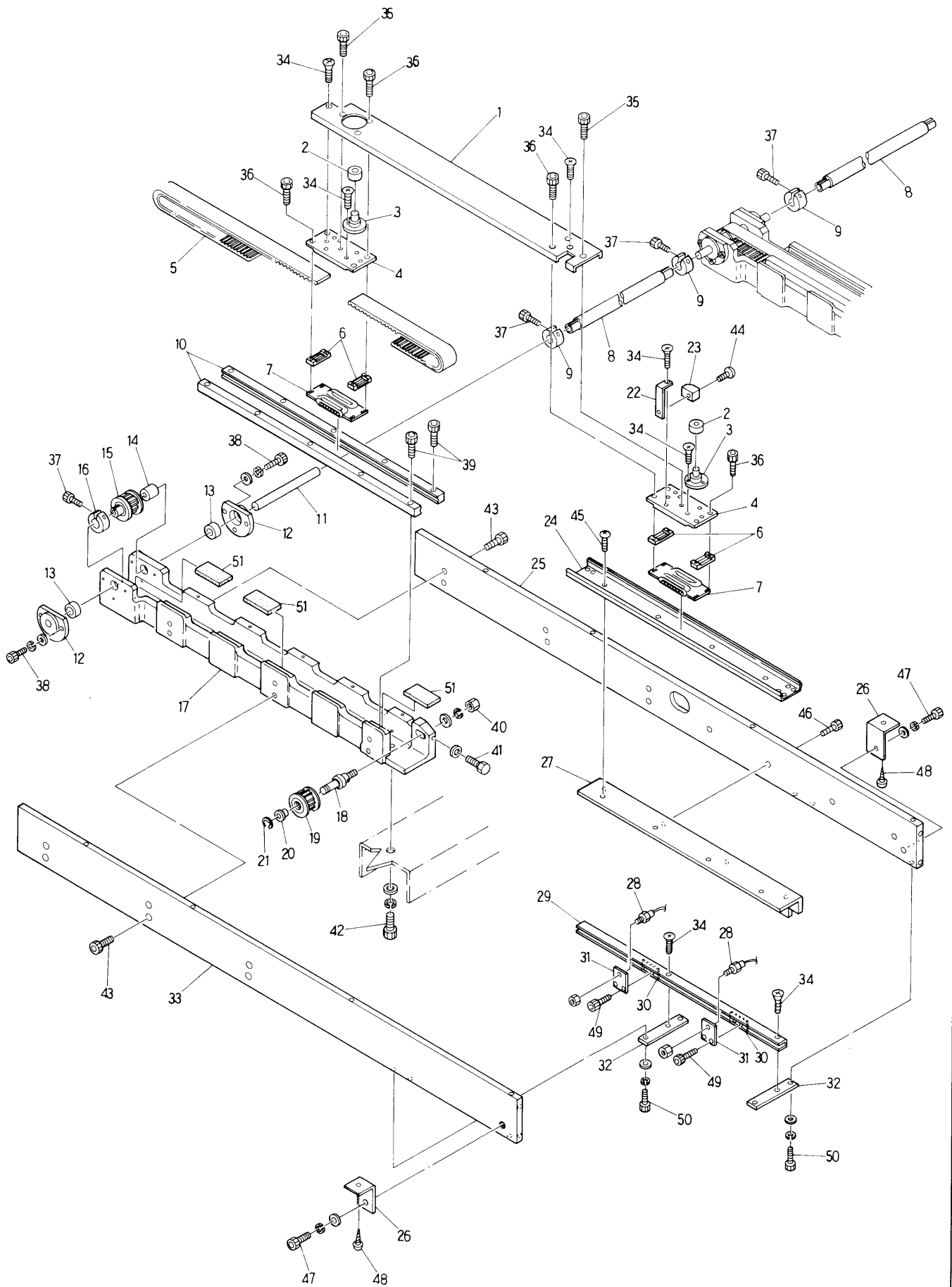


804-M804  
MODEL BEAT 806-M806-YS  
808-M808

## ⑪ Pantograph drive mechanism (H-Direction) II — ①

P=520

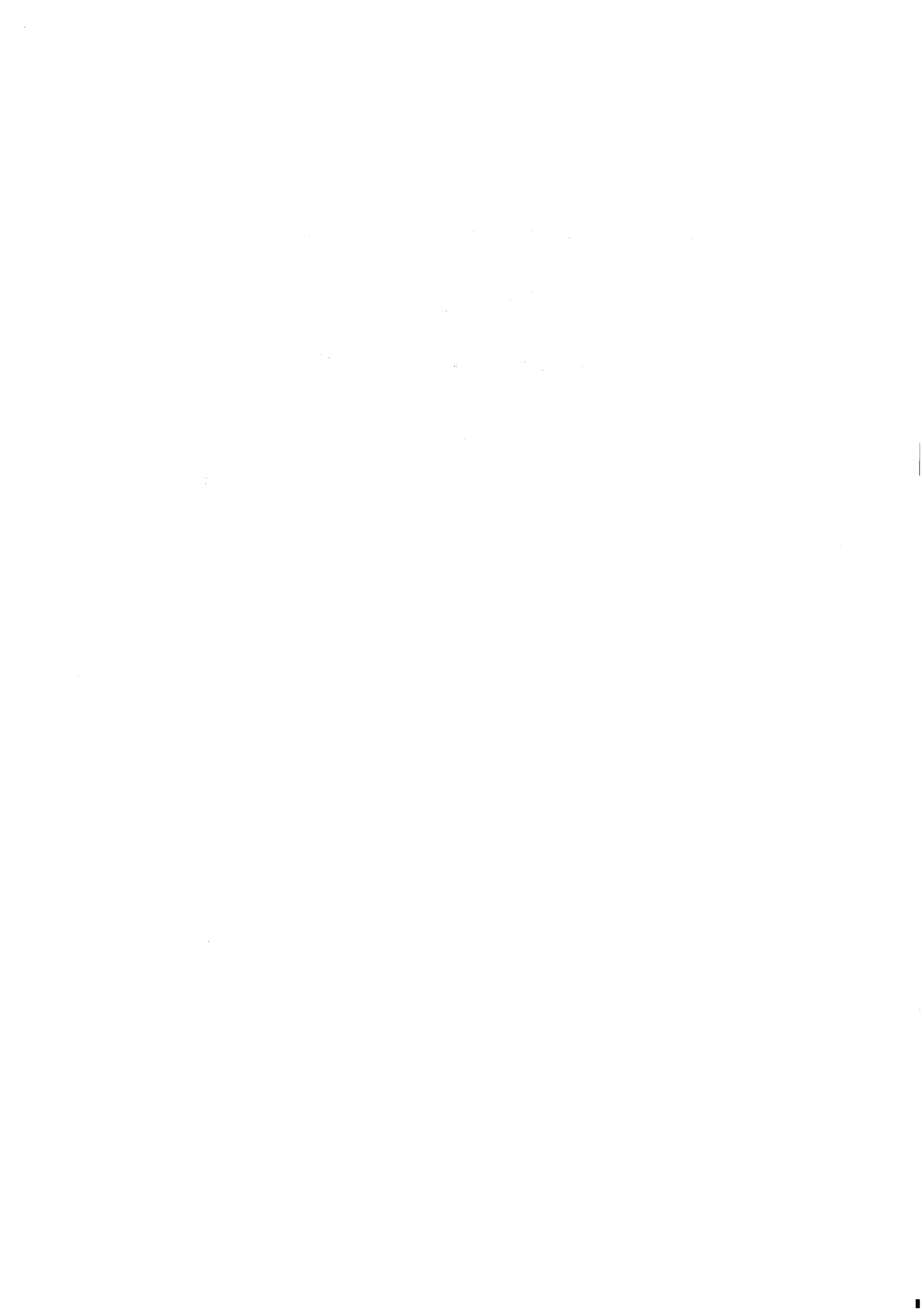
ITEM	LIST No.	DESCRIPTION	Q'TY	REMARK
1	KU460342	H-Pantograph origin point magnet bracket	1	
2	A9052026	Magnet M-102	1	
3	HP483370	Guide rail bearing pin a'ssy	1	
4	HP483391	Guide rail bearing pin a'ssy (H)	1	
5	KN482871	H-Roller base (Rear)	1	
6	HP482950	Roller pin a'ssy A	8	
7	KN482880	H-Roller base (Front)	1	
8	KN480061	Rail base felt 100×38×6	3	
9	KN483442	H-Member connecting channel	1	
	KN483460	H-Member connecting channel	1	
10	A9020098	Timing belt 300S5M2000	1	
11	HP482940	Timing belt rack (5M)	2	
12	HH481970	Pulse motor connecting shaft collar	1	
13	KN482010	H-Guide rear pulley bracket	1	
14	A9011063	Needle bearing TLA 2016	1	
15	HP482990	Pantograph driving pulley (Rear) S5M	1	
16	HH481980	φ19 Clamping	1	
17	KU460270	Plate nut (M3)	2	
18	MT460240	RS-001 Bracket	2	
19	A9052024	Switch RS-001	2	
20	KN483400	H-Guide rail base	1	
21	KN482000	H-Guide front pulley bracket	1	
22	KN483450	V-Guide rail (L=660)	2	
23	HH481991	Timing pulley shaft	1	
24	HH482110	Pulley shaft bolt cap	1	
25		Hex. bolt M4×25		
26	HP482980	Pantograph driving pulley (Front) S5M	1	
27	A9012052	E-Ring (φ10)	1	
28		Flush screw M4×6		
29		Truss screw M3×6		
30		Hex. bolt M4×40		
31		Hex. socket bolt M3×6		
32		Hex. nut M5		
33		Button bolt M4×6		
34		Hex. socket set screw M5×8		
35		Hex. socket bolt M4×15		
36		Hex. socket bolt M8×20		
37		Hex. socket bolt M5×20		
38		Hex. socket bolt M4×18		
39		Hex. nut M8		
40		Flush screw M4×8		



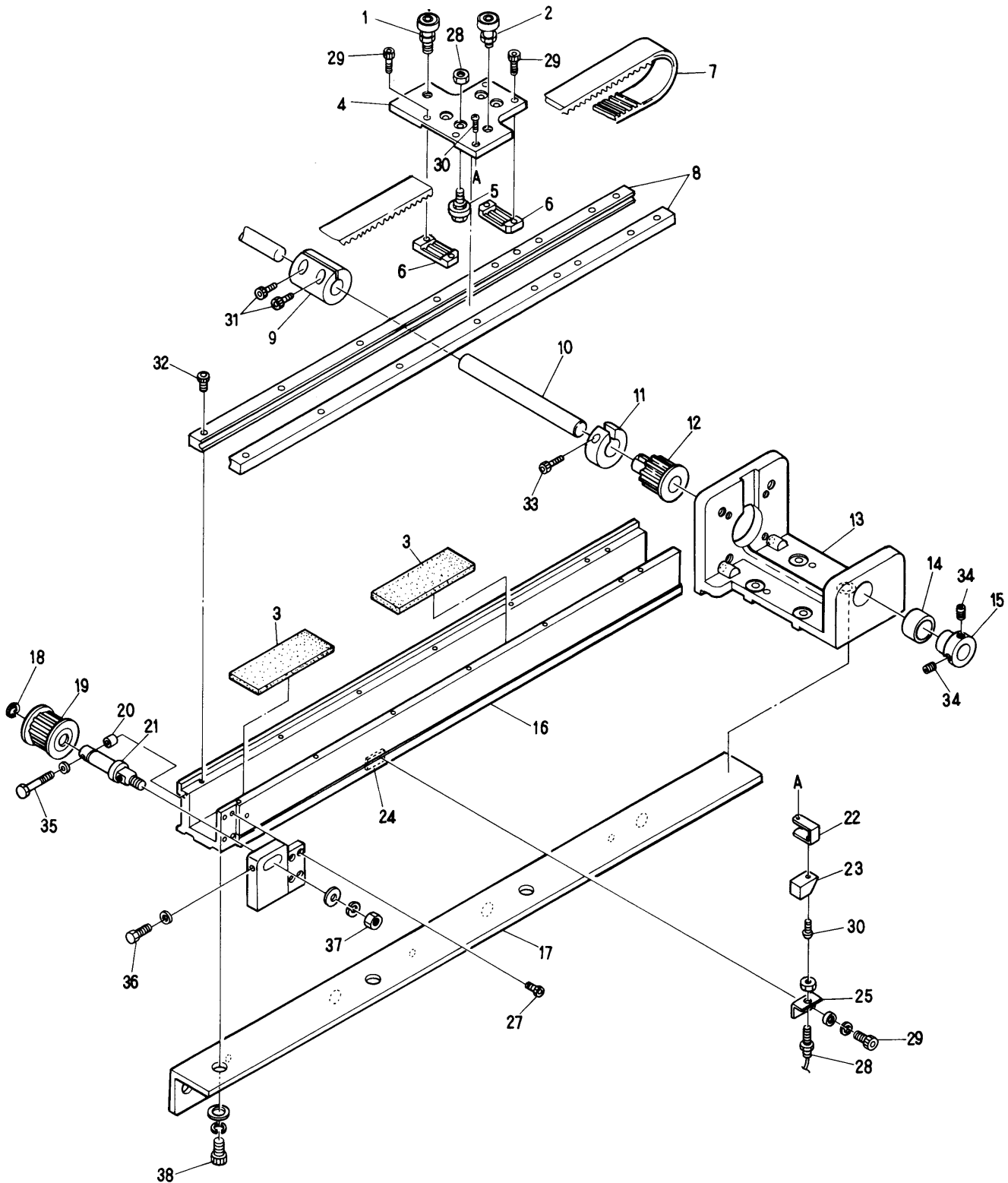
804-M804  
MODEL BEAT 806-M806-YS  
808-M808

⑫ Pantograph drive mechanism (H-Direction) II -- ② (※ change the LIST No by machine type) P=350・P=4

ITEM	LIST No.	DESCRIPTION	Q'TY	REMARK
1	KC480240	H-Member connectins channel	1	
2	A9010006	Bearing (625zz)(1650)	2	
3	KC480260	Guide rail bearing shaft	2	
4	KC480210	H-Slide pack base	2	
5	HH481030	Timing belt T5-20-243	1	
6	KC470650	Timing belt rack	4	
7	HH480310	Slide pack (FBW3590)	2	
8		H-Pulse motor connecting shaft set	2	※
9	HH470180	Clamp (φ12)	3	
10	KC480330	Guiderrail S55C (430L)	2	
11	KC470640	Timing belt shaft(150L)		
	KC470590	Timing belt shaft(130L)		
12	KN470690	Bearing husing	2	
13	A9011001	Bearing (JBS 108)	2	
14	KC470620	Timing pulley adjust collar	1	
15	KC470520	Timing pulley (ML --3208-T5-16T)	1	
16	KC470190	Clamp (φ13)	1	
17	KN480790	H-Guide rail base	1	
18	KC480270	Timing pulley shaft (Front)	1	
19	KC470540	Timing pulley (ME-3333-0)	1	
20	HH480410	Timing pulley shaft bush	1	
21	A9012052	E-Ring (φ10)	1	
22	KU460372	H-Pantograph origin magnet bracket	1	
23	A9052026	Magnet M-102	1	
24	KC480320	Slide pack guide rail (400L)	1	
25	KC481230	H-Center guide side cover (R)	1	
26	KC140630	Table adjust plate No.2	2	
27	KC481240	H-Center guide rail base	1	
28	A9052024	Switch RS-001	2	
29	KU460390	H-Pantograph origin point rail (H-Center front)	1	
30	KU460270	Plate nut (M3)	2	
31	KU460380	RS-001 Bracket (H-Center front)	2	
32	KC481281	H-Center guide	2	
33	KC481360	H-Center guide side cover (L)	1	
34		Flush screw M4×6		
35		Hex. socket bolt M4×8		
36		Hex. socket bolt M3×12		
37		Hex. socket bolt M5×15		
38		Hex. socket bolt M4×20		
39		Hex. socket bolt M4×15		
40		Hex. nut M8		
41		Hex. bolt M4×25		
42		Hex. socket bolt M8×20		
43		Hex. socket bolt M6×18		
44		Truss screw M3×6		





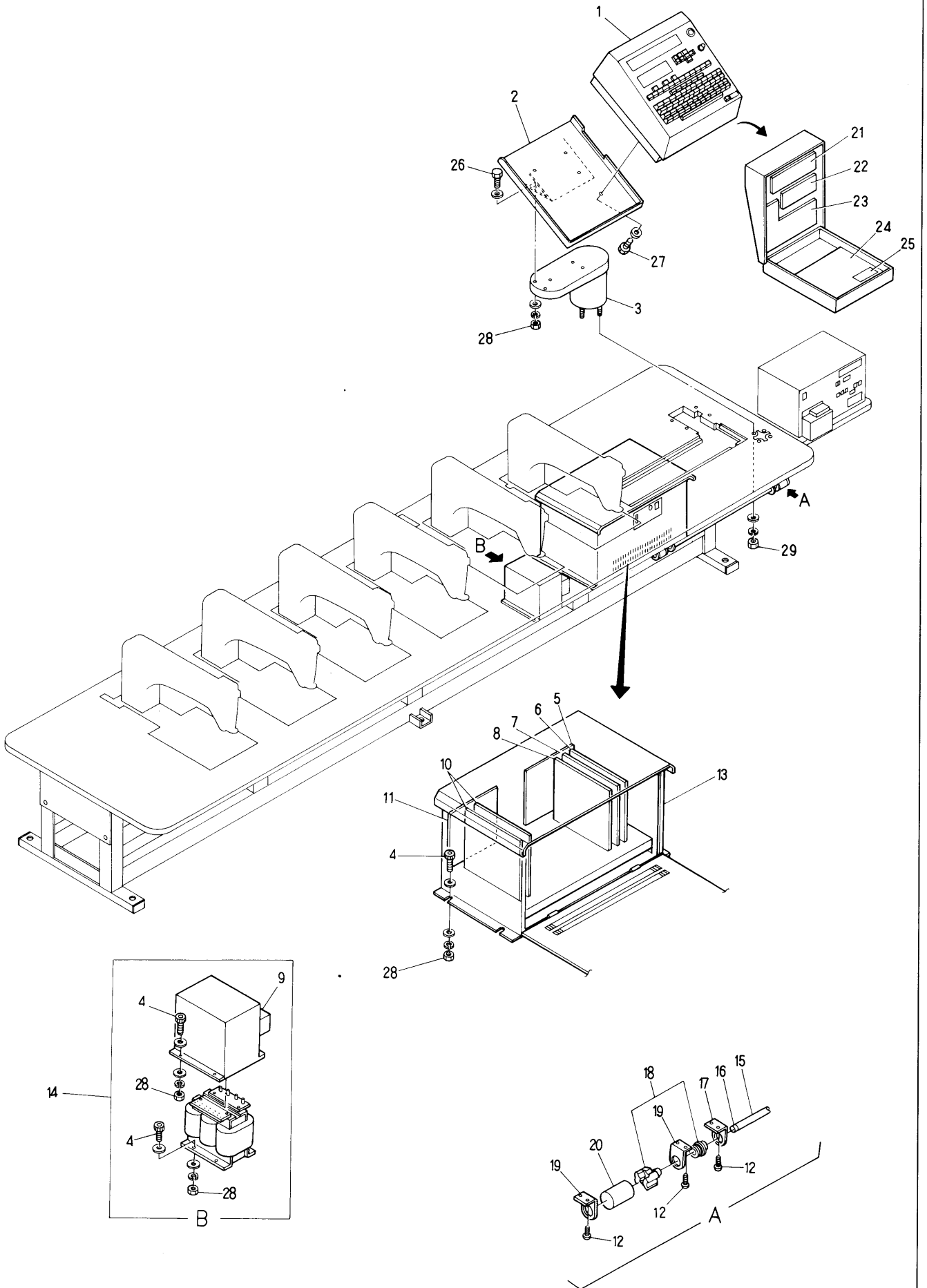


804-M804  
MODEL BEAT 806-M806-YS  
808-M808



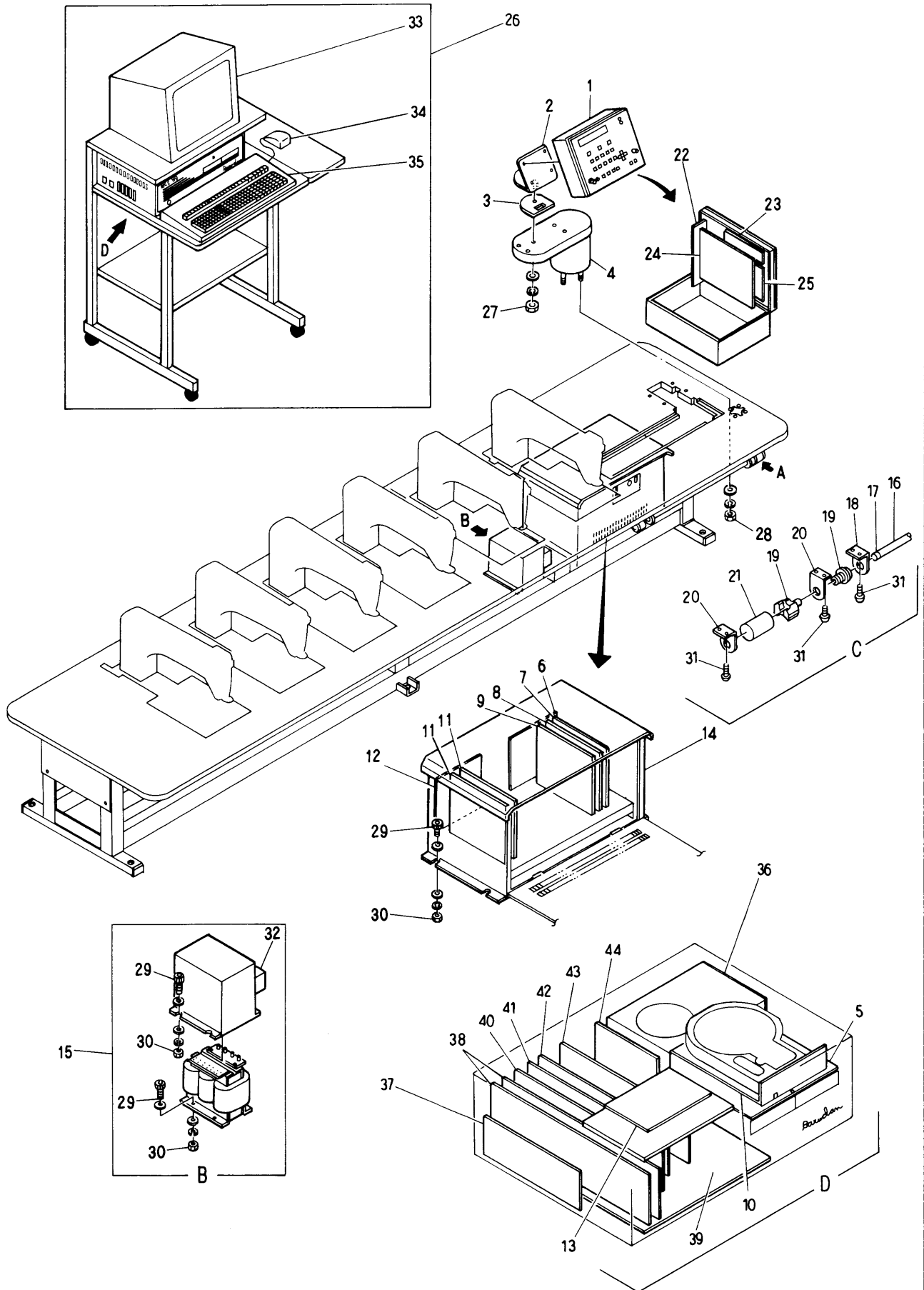
⑬ Pantograph drive mechanism (V-Direction) III

ITEM	LIST No.	DESCRIPTION	QTY	REMARK
1	HP 4 8 3 1 1 1	Guide rail bearing pin a'ssy B	1	
2	HP 4 8 3 3 7 0	Guide rail bearing pin a'ssy	1	
3	KN 4 8 0 0 6 1	Rail base felt 100×38×6	2	
4	KN 4 8 2 8 9 0	V-Roller base (5M-30)	1	
5	HP 4 8 2 9 5 0	Roller pin a'ssy A	4	
6	HP 4 8 2 9 4 0	Timing belt rack (5M)	2	
7	A 9 0 2 0 0 9 8	Timing belt 300S5M2000	1	
8	HP 4 8 2 9 1 0	V-Guide rail (L=1060)	2	
9	HH 4 8 1 9 3 1	Pulse motor coupling	1	
10	KU 4 9 0 1 8 0	V-Timing belt shaft	1	
11	HH 4 8 1 9 8 0	φ19 Clamping	1	
12	HP 4 8 2 9 9 0	Pantograph driving pulley (Rear) S5M	1	
13	KU 4 7 0 1 0 0	V-Pulse motor bracket	1	
14	A 9 0 1 1 0 6 3	Needle bearing TLA 2016	1	
15	HH 4 8 1 9 7 0	Pulse motor connecting shaft collar	1	
16	KN 4 8 3 4 1 0	V-Guide rail base (Stroke 350)	1	
	KN 4 8 3 4 2 0	V-Guide rail base (Stroke 480)	1	
	KU 4 8 0 1 4 0	V-Guide rail base (Stroke 520)	1	
17	KU 4 7 0 5 0 0	V-Guide rail base bracket (Stroke 350)	1	
	KU 4 7 0 4 6 0	V-Guide rail base bracket (Stroke 480)	1	
	KU 4 7 0 4 0 0	V-Guide rail base bracket (Stroke 520)	1	
18	A 9 0 1 2 0 5 2	E-Ring (φ10)	1	
19	HP 4 8 2 9 8 0	Pantograph drive pulley (Front) S5M	1	
20	HH 4 8 2 1 1 0	Pulley shaft bolt cap	1	
21	HH 4 8 1 9 9 1	Timing pulley shaft	1	
22	KN 4 5 0 3 1 1	V Pantograph origin point magnet bracket	1	
23	A 9 0 5 2 0 2 6	Magnet M-102	1	
24	KU 4 6 0 2 7 0	Plate nut M3	1	
25	MT 4 6 0 2 4 0	RS-001 Bracket (V)	1	
26	A 9 0 5 2 0 2 4	Switch RS-001	1	
27		Hex. socket bolt M4×6		
28		Hex. nut M5		
29		Hex. socket bolt M3×6		
30		Truss screw M3×6		
31		Hex. socket bolt M5×20		
32		Hex. socket bolt M4×15		
33		Hex. socket bolt M5×15		
34		Hex. socket set screw M5×8		
35		Hex. bolt M4×40		
36		Hex. bolt M4×25		
37		Hex. nut M8		
38		Hex. socket bolt M8×20		



MODEL BEAT 804-M804  
806-M806-YS  
808-M808

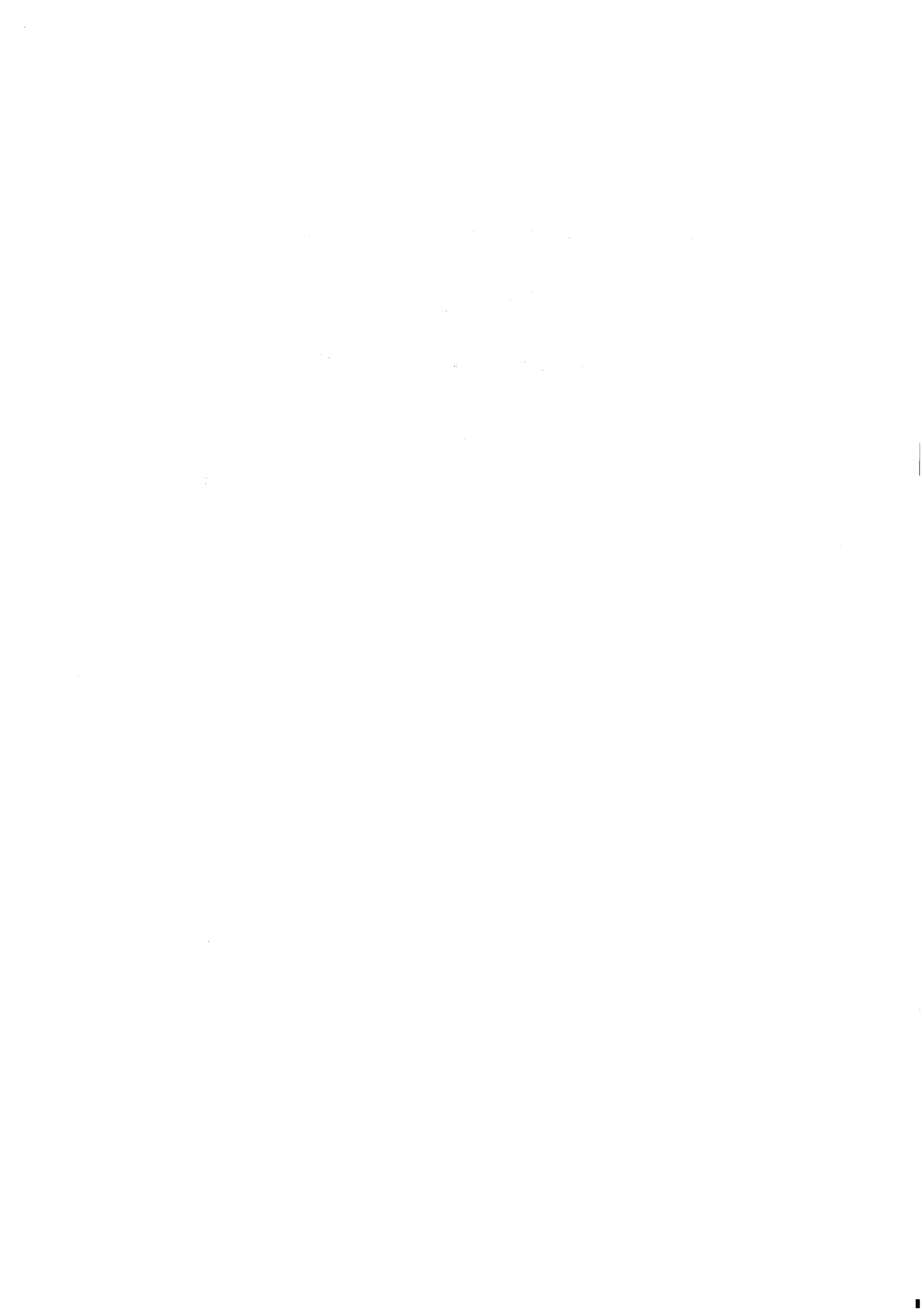




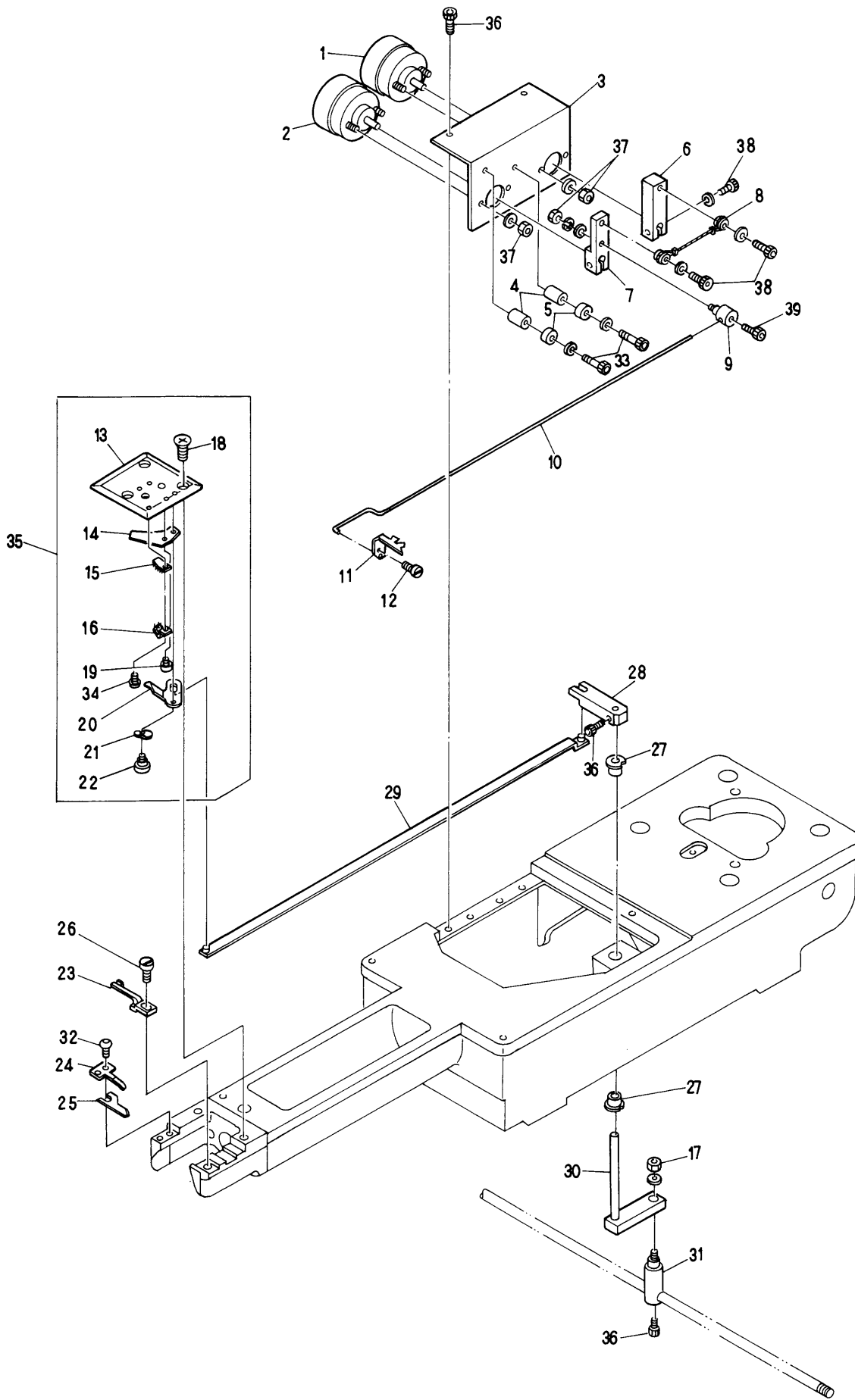
MODEL BEAT 804-M804  
806-M806-YS  
808-M808

⑭ Control system (BEAT-M804, M806, M808) II

ITEM	LIST No.	DESCRIPTION	Q'TY	REMARK
1	EAN017A0	SEAT, STX, SDU Set	1	
2	MT511220	STX Contoroler fixing base	1	
3	KU511240	STX Contoroler fixing specer	1	
4	KU511211	Contoroler fixing pipe	1	
5	EBN01550	M7000 3.5 inch FDD (7011-1138)	2	
6	EBN00580	SDU Contorol mother board (7020-2300)	1	
7	EBN01430	SDU Memory board (DAB-5)	1	
8	EBN00620	SDU Control board (7020-2100)	1	
9	EBN00630	SDU Power board (7020-2200)	1	
10	EBN01560	M7000 HDD (7011-1139)	1	
11	EBN00640	Stepping motor driver (7020-2800)	2	
12	EBN00560	SDU Driver mother board (7020-2700)	1	
13	EBN01540	M7000 HDD Contorol board (7011-0019)	1	
14	EAN016A2	Driver SDU	1	
15	EAN020A3	804 Transformer (1P)	1	
	EAN021A3	806,808 Transformer (1P)	1	
	EAN022A3	806,808 Transformer (3P)	1	
16	KF530160	Bar switch	1	
17	KF530170	Bar switch cap	2	
18	KC530240	Bar switch bracket (S)	5	
19	KF530111	Push botton switch MS319 (Red)	1	
	KF530120	Push botton switch MS319 (Green)	1	
20	KC530230	Bar switch bracket (L)	4	
21	KF530150	Push botton switch cap	2	
22	EBN00720	STX Mother board (7020-1300)	1	
23	EBN00680	SMT Indicator (7020-7500)	1	
24	EBN00730	SMT Contorol board (7020-1200)	1	
25	EBN00740	STX Keyboard (7020-1400)	1	
26	EBN018A0	BEAT, M7000, STX, SDU Set	1	
27		Hex.nut M10		
28		Hex.nut M8		
29		Hex.socket bolt M6×30		
30		Hex.nut M6		
31		Tapping screw M4×20		
32	FA911096	BEAT Nofuse braker	1	
33	90H00205	BECS-89P 14 inch	1	
34	FA911112	M7000 BECS-P (MK-Mouse 3)	1	
35	EBN01510	M7000 Keyboard unit (7011-4501)	1	
36	EBN00850	M7000 Power source unit (7011-0013)	1	
37	EBN00840	Connector board (7011-4300)	1	
38	EBN00770	M7000 Monitor I/F board (7011-0015)	1	
39	EBN00760	M7000 CPU Board (7011-0014)	1	
40	EBN01520	M7000 Mouse-001 board (7011-1150)	1	
41	EBN00830	M7000 IN-OUT I/F board (7011-4200)	1	
42	EBN00780	M7000 HDD I/F board (7011-0016)	1	



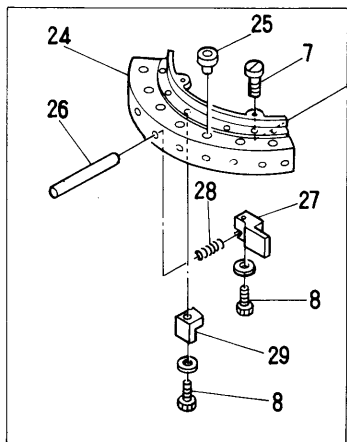
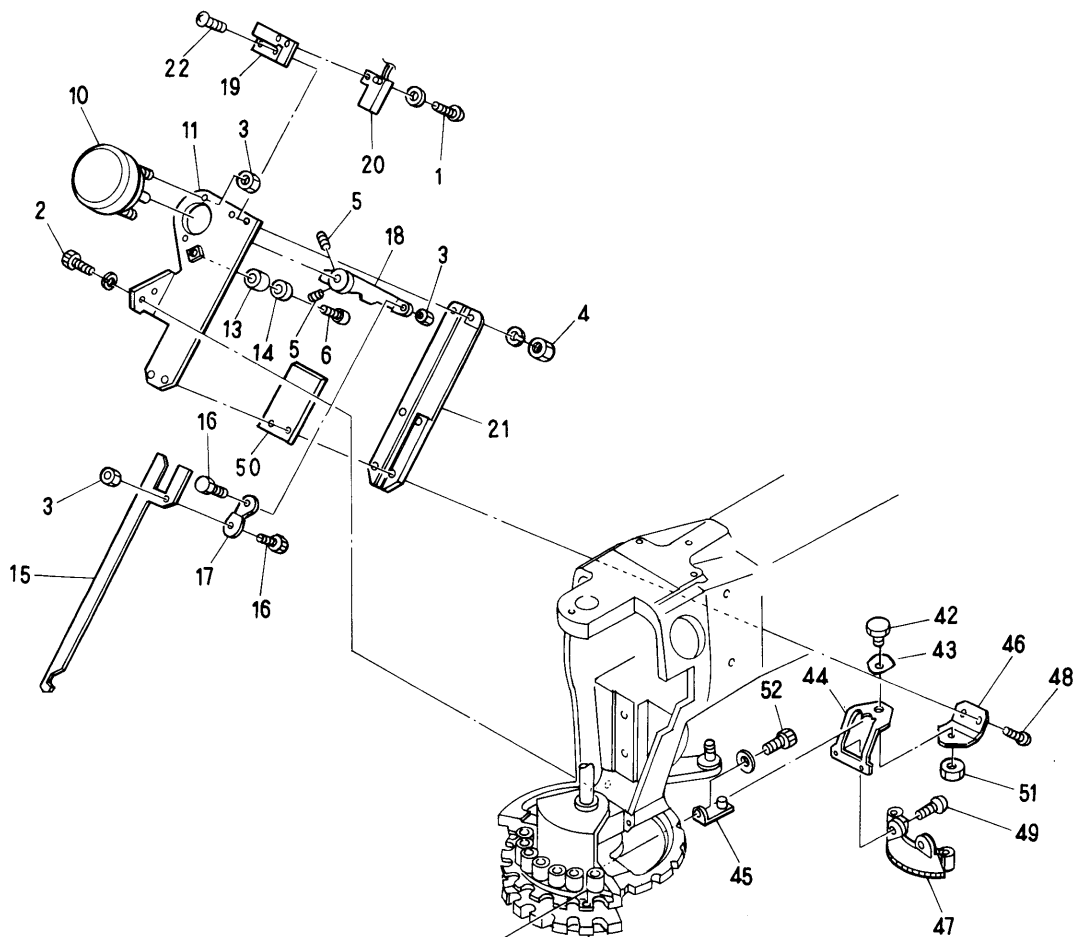




MODEL BEAT 804-M804  
806-M806-YS  
808-M808





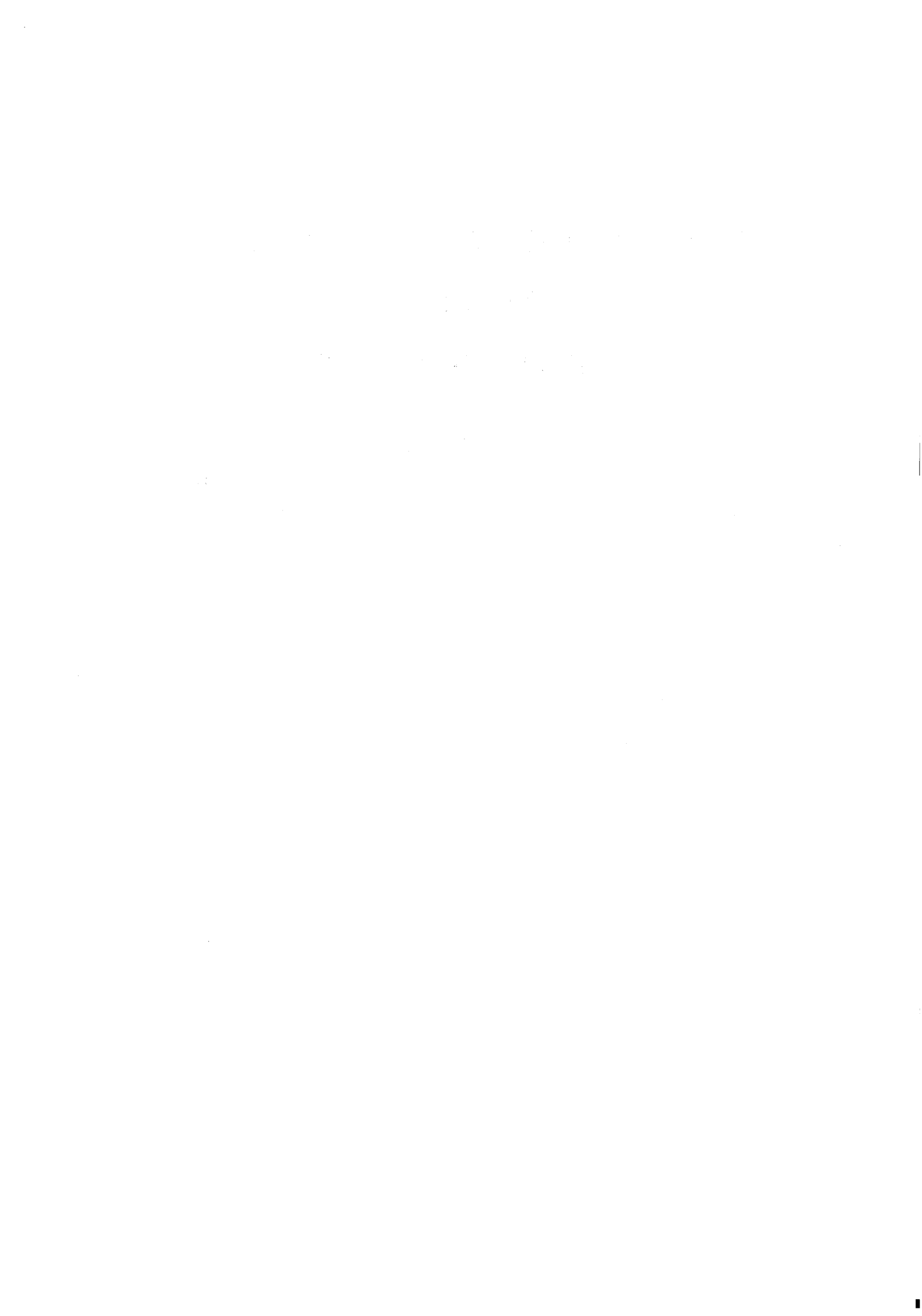


804-M804  
MODEL BEAT 806-M806-YS  
808-M808

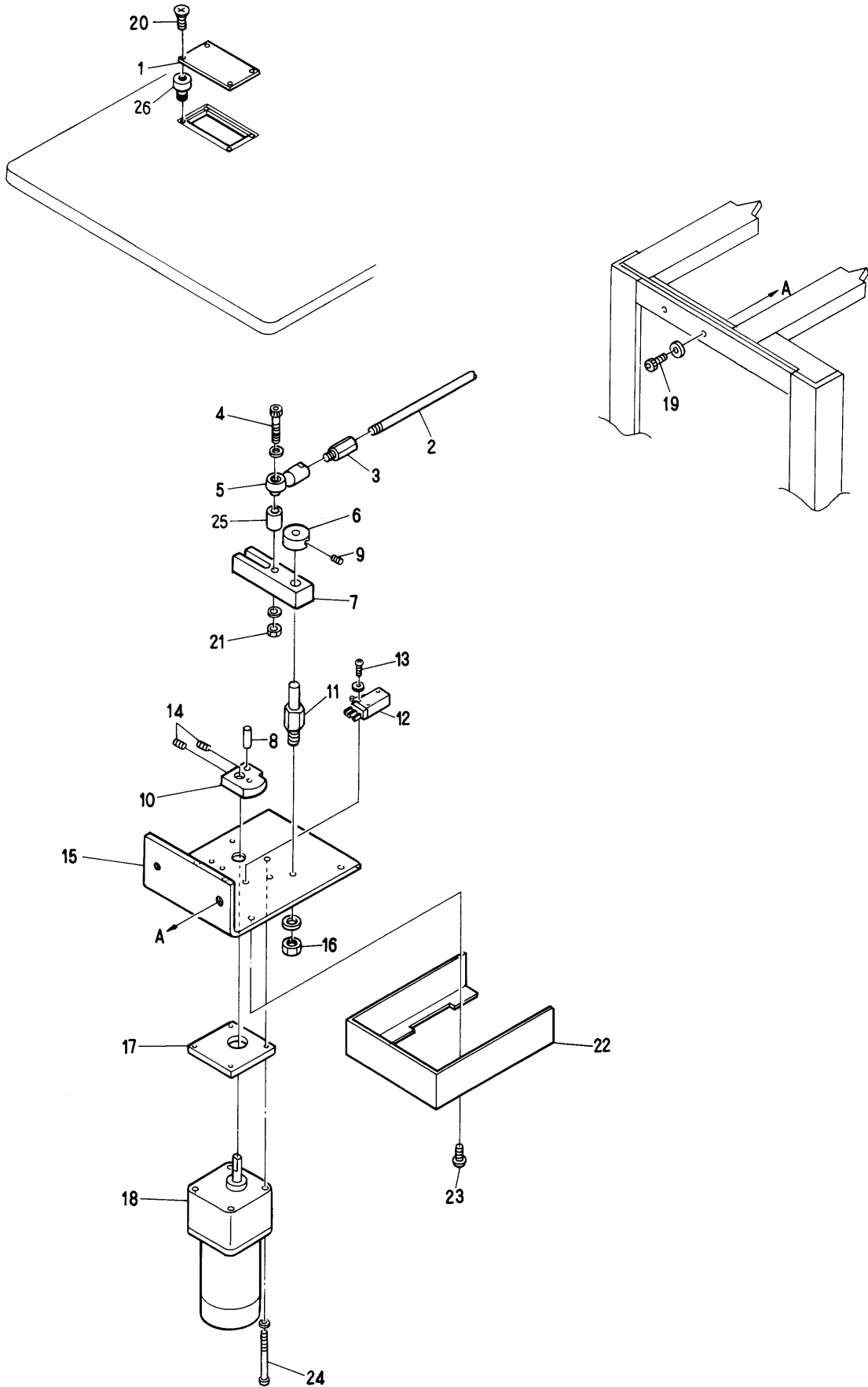
⑩ Thread cutting mechanism II

(N=needle Q'ty)

ITEM	LIST No.	DESCRIPTION	Q'TY	REMARK
1		Truss screw M3×6		
2		Hex.socket bolt M4×12		
3		Hex.nut M4		
4		Hex.nut M3		
5		Hex.socket set screw M4×8		
6		Truss screw M4×16		
7		Set screw (SM9/64 40)		
8		Hex.socket bolt M4×10		
9		Pan screw M4×8		
10	A9056018	Rotary solenoid (4ER67.5-34×3×8×9) Orange	1	
11	KL270081	Thread away base	1	
12		Hex.socket bolt M3×6		
13	KL270150	Eccentric cover	2	
14	KL270140	Stopper eccentric	2	
15	KL270101	Thread away hook	1	
16	KL270130	Lever connecting pin	2	
17	KL270120	Connecting plate	1	
18	KL270110	Thread away solenoid lever	1	
19	KL270260	Switch stay	1	
20	A9052028	Limit switch (RS-603)	1	
21	KL270091	Thread away hook guide	1	
22		Truss screw M3×10		
23	KC270761	Thread support apron UF a'ssy (5)	1	
	KG270760	Thread support apron UG a'ssy (7)	1	
24	KC270283	Thread support apron (5)	1	
	KG270282	Thread support apron (7)	1	
25	KF230580	Take up lever ceramic	N×1	
26	KG270310	Thread support pin	N×1	
27	KC270301	Thread support clamp	N×1	
28	KC270271	Support spring	N×1	
29	KC270292	Thread support block	N×1	
30	KL270000	Fixing base	1	
31	KL270020	Thread support slider	1	
32	KL270010	Slide base	1	
33	KL270030	Driving plate	1	
34	A9012056	E-Ring (φ3)	4	
35	KL270040	Lever turret pin	1	
36	KL270050	Solenoid lever	1	
37	KL270060	Lever connecting plate	1	
38	KC270400	Thread support lever spring	1	
39	KL270070	Solenoid stay	1	
40	KC270101	Solenoid pin	1	
41	A9056013	Keep solenoid (TDS-K10SL)	1	
42	KL270410	Thread hanger plate rotary shaft	1	
43	A9013045	Wave washer (WW-5)	1	







MODEL BEAT 804-M804  
806-M806-YS  
808-M808



# I N D E X

L I S T	No.	PAGE No.	ITEM	L I S T	No.	PAGE No.	ITEM
9 0 H 0 0 2 0 5		5 6	3 3	A 9 0 5 2 0 2 4		5 0	2 8
A 9 0 1 0 0 0 1		3 4	3 7	A 9 0 5 2 0 2 4		5 2	2 6
A 9 0 1 0 0 0 6		5 0	2	A 9 0 5 2 0 2 6		4 8	2
A 9 0 1 0 0 1 7		2 6	5	A 9 0 5 2 0 2 6		5 0	2 3
A 9 0 1 0 0 1 7		3 8	5	A 9 0 5 2 0 2 6		5 2	2 3
A 9 0 1 1 0 0 1		5 0	1 3	A 9 0 5 2 0 2 8		6 0	2 0
A 9 0 1 1 0 2 1		2 8	7	A 9 0 5 6 0 0 8		5 8	2
A 9 0 1 1 0 2 1		3 0	3 2	A 9 0 5 6 0 1 1		3 4	2 4
A 9 0 1 1 0 2 2		3 0	3 4	A 9 0 5 6 0 1 2		5 8	1
A 9 0 1 1 0 2 3		3 0	3 1	A 9 0 5 6 0 1 3		6 0	4 1
A 9 0 1 1 0 4 9		3 4	5	A 9 0 5 6 0 1 8		6 0	1 0
A 9 0 1 1 0 6 3		4 8	1 4	A 9 0 5 6 0 2 0		3 0	4 5
A 9 0 1 1 0 6 3		5 2	1 4	A 9 0 6 5 0 2 6		6 2	1 8
A 9 0 1 1 1 1 5		3 0	9	E A N 0 1 6 A 1		5 4	1
A 9 0 1 1 1 5 2		2 8	6	E A N 0 1 6 A 2		5 4	1 3
A 9 0 1 2 0 0 1		3 4	1 9	E A N 0 1 6 A 2		5 6	1 4
A 9 0 1 2 0 0 2		3 4	2 8	E A N 0 1 7 A 0		5 6	1
A 9 0 1 2 0 0 2		6 2	5	E A N 0 2 0 A 3		5 4	1 4
A 9 0 1 2 0 0 3		3 0	6 0	E A N 0 2 0 A 3		5 6	1 5
A 9 0 1 2 0 0 5		3 0	6 0	E A N 0 2 1 A 3		5 4	1 4
A 9 0 1 2 0 0 7		2 6	3 4	E A N 0 2 1 A 3		5 6	1 5
A 9 0 1 2 0 0 7		5 8	2 6	E A N 0 2 2 A 3		5 4	1 4
A 9 0 1 2 0 2 7		2 6	5 7	E A N 0 2 2 A 3		5 6	1 5
A 9 0 1 2 0 5 1		3 0	5 5	E A N 0 3 8 A 0		5 6	2 6
A 9 0 1 2 0 5 2		4 8	2 7	E B N 0 0 5 6 0		5 4	1 1
A 9 0 1 2 0 5 2		5 0	2 1	E B N 0 0 5 6 0		5 6	1 2
A 9 0 1 2 0 5 2		5 2	1 8	E B N 0 0 5 8 0		5 4	5
A 9 0 1 2 0 5 3		3 0	7 5	E B N 0 0 5 8 0		5 6	6
A 9 0 1 2 0 5 5		3 4	3 8	E B N 0 0 6 0 0		5 4	6
A 9 0 1 2 0 5 6		6 0	3 4	E B N 0 0 6 2 0		5 4	7
A 9 0 1 2 1 1 4		5 8	2 7	E B N 0 0 6 2 0		5 6	8
A 9 0 1 2 1 4 3		3 4	3 9	E B N 0 0 6 3 0		5 4	8
A 9 0 1 2 1 5 0		3 4	8	E B N 0 0 6 3 0		5 6	9
A 9 0 1 2 1 6 4		2 8	2 9	E B N 0 0 6 4 0		5 4	1 0
A 9 0 1 2 1 9 0		3 0	4	E B N 0 0 6 4 0		5 6	1 1
A 9 0 1 2 2 9 1		3 0	2 8	E B N 0 0 6 5 0		3 2	1 2
A 9 0 1 3 0 4 5		5 8	2 1	E B N 0 0 6 6 0		3 4	3
A 9 0 1 3 0 4 5		6 0	4 3	E B N 0 0 6 7 0		5 4	2 1
A 9 0 1 4 0 5 1		3 0	5 4	E B N 0 0 6 8 0		5 4	2 2
A 9 0 1 4 0 6 3		2 6	6 0	E B N 0 0 6 8 0		5 6	2 3
A 9 0 2 0 0 9 8		4 8	1 0	E B N 0 0 6 9 0		5 4	2 3
A 9 0 2 0 0 9 8		5 2	7	E B N 0 0 7 0 0		5 4	2 4
A 9 0 2 0 1 1 6		4 0	6	E B N 0 0 7 1 0		5 4	2 5
A 9 0 5 2 0 0 5		6 2	1 2	E B N 0 0 7 2 0		5 6	2 2
A 9 0 5 2 0 2 4		4 8	1 9	E B N 0 0 7 3 0		5 6	2 4



# I N D E X

L I S T	No.	PAGE No.	ITEM	L I S T	No.	PAGE No.	ITEM
E B N 0 0 7 4 0		5 6	2 5	H B 2 3 0 5 9 0		3 0	2
E B N 0 0 7 6 0		5 6	3 9	H B 2 3 0 6 0 0		3 0	8 3
E B N 0 0 7 7 0		5 6	3 8	H B 2 3 0 6 1 0		3 0	8 3
E B N 0 0 7 8 0		5 6	4 2	H B 2 3 0 6 5 0		2 8	3 5
E B N 0 0 8 3 0		5 6	4 1	H B 2 3 0 7 0 0		3 0	8 0
E B N 0 0 8 4 0		5 6	3 7	H B 2 4 0 0 2 0		3 0	5 0
E B N 0 0 8 5 0		5 6	3 6	H B 2 4 0 0 3 0		3 0	5 1
E B N 0 0 9 5 0		5 6	4 4	H B 2 4 0 0 4 0		3 0	4 9
E B N 0 1 1 0 0		3 2	1 2	H B 2 4 0 0 5 0		3 0	4 8
E B N 0 1 4 3 0		5 6	7	H B 2 4 0 0 7 0		3 0	5 3
E B N 0 1 5 1 0		5 6	3 5	H B 2 4 0 0 8 0		3 0	5 8
E B N 0 1 5 2 0		5 6	4 0	H B 2 4 0 0 9 0		3 0	5 7
E B N 0 1 5 3 0		5 6	4 3	H B 2 4 0 1 1 0		3 0	5 2
E B N 0 1 5 4 0		5 6	1 3	H B 2 4 0 1 7 1		2 8	1 8
E B N 0 1 5 5 0		5 6	5	H B 2 4 0 1 8 0		2 8	2
E B N 0 1 5 6 0		5 6	1 0	H B 2 4 0 2 6 0		3 2	1 1
F A 9 1 1 0 9 6		5 4	9	H B 2 4 0 2 7 0		3 2	1 1
F A 9 1 1 0 9 6		5 6	3 2	H B 2 4 0 2 8 0		2 8	1 8
F A 9 1 1 1 1 2		5 6	3 4	H B 2 4 0 2 9 0		2 8	2
H B 2 3 0 1 4 0		3 0	3 3	H B 2 4 0 3 1 0		3 0	7 9
H B 2 3 0 1 6 0		2 8	2 0	H B 2 4 0 3 3 0		3 0	8 2
H B 2 3 0 1 7 0		3 0	1 3	H B 2 4 0 3 4 0		3 0	8 1
H B 2 3 0 2 7 0		2 8	2 1	H B 3 2 0 0 7 0		4 6	1 3
H B 2 3 0 2 9 1		2 8	4	H H 1 2 0 9 0 0		3 6	1 3
H B 2 3 0 3 1 0		2 8	1 5	H H 3 3 0 2 8 1		3 4	1
H B 2 3 0 3 2 0		2 8	1 1	H H 3 3 0 6 2 0		3 4	6
H B 2 3 0 3 3 1		2 8	1 2	H H 3 3 0 6 7 0		3 4	3 4
H B 2 3 0 3 7 1		3 0	1 0	H H 3 3 0 8 1 0		3 4	1 3
H B 2 3 0 3 8 1		3 0	5	H H 4 7 0 1 8 0		5 0	9
H B 2 3 0 3 9 0		3 0	3	H H 4 8 0 3 1 0		5 0	7
H B 2 3 0 4 0 1		3 0	1	H H 4 8 0 4 1 0		5 0	2 0
H B 2 3 0 4 1 4		3 0	1 2	H H 4 8 1 0 3 0		5 0	5
H B 2 3 0 4 2 0		3 0	1 1	H H 4 8 1 9 3 1		4 2	8
H B 2 3 0 4 3 1		3 0	3 0	H H 4 8 1 9 3 1		4 4	7
H B 2 3 0 4 4 1		3 0	3 0	H H 4 8 1 9 3 1		4 6	1 1
H B 2 3 0 4 6 0		3 0	4 2	H H 4 8 1 9 3 1		5 2	9
H B 2 3 0 4 7 0		3 0	4 3	H H 4 8 1 9 7 0		4 8	1 2
H B 2 3 0 5 1 1		3 0	1 7	H H 4 8 1 9 7 0		5 2	1 5
H B 2 3 0 5 2 1		3 0	1 6	H H 4 8 1 9 8 0		4 8	1 6
H B 2 3 0 5 3 1		3 0	1 5	H H 4 8 1 9 8 0		5 2	1 1
H B 2 3 0 5 4 0		3 0	1 8	H H 4 8 1 9 9 1		4 8	2 3
H B 2 3 0 5 5 0		3 0	2 9	H H 4 8 1 9 9 1		5 2	2 1
H B 2 3 0 5 6 0		3 0	7 2	H H 4 8 2 1 1 0		4 8	2 4
H B 2 3 0 5 7 0		3 0	8 4	H H 4 8 2 1 1 0		5 2	2 0
H B 2 3 0 5 8 0		3 0	7 7	H P 2 3 1 3 9 0		2 6	1 3

# I N D E X

L I S T	No.	PAGE No.	ITEM	L I S T	No.	PAGE No.	ITEM
HP 2 4 1 1 1 2		3 2	6	KB 2 3 0 0 2 0		2 6	4 7
HP 2 4 1 1 2 2		3 2	6	KB 2 3 0 0 3 0		2 6	3 1
HP 2 4 1 1 5 0		3 2	2	KB 2 3 0 0 5 0		2 6	3 3
HP 2 4 1 1 6 0		3 2	7	KB 2 3 0 0 6 0		3 0	8
HP 2 4 1 1 7 0		3 2	3	KB 2 3 0 0 7 0		3 0	7
HP 2 4 1 1 8 0		3 2	3	KB 2 3 0 0 8 0		3 0	6
HP 2 4 1 3 7 1		3 2	8	KB 2 3 0 0 9 0		2 8	5
HP 2 4 1 3 8 1		3 2	8	KB 2 3 0 1 0 0		2 8	8
HP 2 4 1 4 0 0		3 2	1 4	KB 2 3 0 1 1 0		2 8	9
HP 2 4 1 4 1 0		3 2	1	KB 2 3 0 1 2 0		2 8	1 0
HP 2 4 1 4 5 0		3 2	4	KB 2 3 0 1 3 0		2 8	1 9
HP 2 4 1 4 6 0		3 2	4	KB 2 3 0 1 4 1		2 8	1 7
HP 2 4 1 4 7 0		3 2	1 0	KB 2 3 0 1 5 0		2 8	1 6
HP 2 4 1 4 8 0		3 2	1 0	KB 2 3 0 1 6 1		2 8	1
HP 2 5 0 0 5 0		3 2	2 0	KB 2 3 0 1 7 0		3 0	4 4
HP 3 2 1 1 4 0		3 8	7	KB 2 3 0 3 1 0		2 8	3 6
HP 3 3 1 5 3 1		3 4	2 5	KB 2 4 0 0 1 0		2 8	1 4
HP 3 3 1 5 5 0		3 4	2 2	KB 2 4 0 0 2 0		2 8	3
HP 3 3 1 5 6 0		3 4	3 3	KB 2 4 0 0 3 0		3 0	4 7
HP 3 3 1 5 7 0		3 4	1 4	KB 2 4 0 0 4 0		3 0	5 6
HP 3 3 1 5 8 0		3 4	1 6	KB 2 4 0 0 5 1		3 2	1 3
HP 3 3 1 5 9 0		3 4	1 7	KB 2 4 0 0 6 0		3 2	1 6
HP 3 3 1 6 0 0		3 4	2 3	KB 2 4 0 0 7 0		3 2	1 6
HP 3 3 1 6 6 0		3 4	2 0	KB 2 4 0 1 0 0		3 2	1 5
HP 3 3 1 7 0 0		3 4	3 2	KB 2 5 0 0 2 0		3 2	1 7
HP 3 3 1 9 4 0		3 4	9	KB 2 5 0 0 3 0		3 2	1 8
HP 3 3 1 9 5 0		3 4	3 6	KB 2 5 0 0 4 0		3 2	1 9
HP 3 3 1 9 6 0		3 4	1 0	KB 2 5 0 0 5 0		3 2	2 1
HP 4 8 2 9 1 0		5 2	8	KB 2 5 0 0 6 0		3 2	2 2
HP 4 8 2 9 4 0		4 8	1 1	K C 1 1 0 9 1 0		8	4
HP 4 8 2 9 4 0		5 2	6	K C 1 1 0 9 1 0		1 0	4
HP 4 8 2 9 5 0		4 8	6	K C 1 1 0 9 1 0		1 2	8
HP 4 8 2 9 5 0		5 2	5	K C 1 1 0 9 1 0		1 4	4
HP 4 8 2 9 8 0		4 8	2 6	K C 1 1 0 9 1 0		1 6	4
HP 4 8 2 9 8 0		5 2	1 9	K C 1 1 0 9 1 0		1 8	8
HP 4 8 2 9 9 0		4 8	1 5	K C 1 1 0 9 1 0		2 0	5
HP 4 8 2 9 9 0		5 2	1 2	K C 1 1 0 9 1 0		2 2	5
HP 4 8 3 1 1 1		5 2	1	K C 1 1 0 9 1 0		2 4	4
HP 4 8 3 3 7 0		4 8	3	K C 1 1 0 9 7 0		3 6	1 2
HP 4 8 3 3 7 0		5 2	2	K C 1 2 0 8 4 1		8	9
HP 4 8 3 3 9 1		4 8	4	K C 1 2 0 8 4 1		1 0	9
HP 7 1 0 7 9 0		3 6	7	K C 1 2 0 8 4 1		1 2	1 0
KB 2 1 0 1 6 0		2 6	2 3	K C 1 2 0 8 4 1		1 4	9
KB 2 1 0 1 7 0		3 0	4 6	K C 1 2 0 8 4 1		1 6	9
KB 2 3 0 0 1 0		2 6	4 7	K C 1 2 0 8 4 1		1 8	1 0

# I N D E X

L I S T No.	PAGE No.	ITEM	L I S T No.	PAGE No.	ITEM
K C 1 2 0 8 4 1	2 0	1 0	K C 2 7 0 2 8 3	6 0	2 4
K C 1 2 0 8 4 1	2 2	1 0	K C 2 7 0 2 9 2	6 0	2 9
K C 1 2 0 8 4 1	2 4	9	K C 2 7 0 3 0 1	6 0	2 7
K C 1 2 0 8 6 0	8	1 3	K C 2 7 0 4 0 0	6 0	3 8
K C 1 2 0 8 6 0	1 0	1 4	K C 2 7 0 7 6 1	6 0	2 3
K C 1 2 0 8 6 0	1 4	1 4	K C 2 7 0 9 5 0	5 8	2 0
K C 1 2 0 8 6 0	1 6	1 4	K C 2 7 0 9 6 0	5 8	1 4
K C 1 2 0 8 6 0	2 0	1 5	K C 2 7 0 9 7 0	5 8	2 2
K C 1 2 0 8 6 0	2 2	1 5	K C 2 7 0 9 8 0	5 8	1 9
K C 1 2 0 8 6 0	2 4	1 3	K C 2 7 1 0 0 0	5 8	1 2
K C 1 4 0 5 3 0	8	1 6	K C 2 7 1 0 2 1	5 8	1 1
K C 1 4 0 5 3 0	1 0	1 3	K C 2 7 1 0 3 1	5 8	1 0
K C 1 4 0 5 3 0	1 4	1 3	K C 2 7 1 0 4 1	5 8	9
K C 1 4 0 5 3 0	1 6	1 3	K C 2 7 1 0 7 0	5 8	2 9
K C 1 4 0 5 3 0	2 0	1 3	K C 2 7 1 1 2 0	5 8	2 8
K C 1 4 0 5 3 0	2 2	1 3	K C 2 7 1 1 3 0	5 8	3 0
K C 1 4 0 5 3 0	2 4	1 1	K C 2 7 1 1 4 0	6 2	7
K C 1 4 0 5 4 0	8	1 0	K C 2 7 1 1 5 1	6 2	1 1
K C 1 4 0 5 4 0	1 0	1 0	K C 2 7 1 1 6 2	6 2	1 5
K C 1 4 0 5 4 0	1 4	1 0	K C 2 7 1 1 7 2	6 2	1 0
K C 1 4 0 5 4 0	1 6	1 0	K C 2 7 1 4 3 0	6 2	1 7
K C 1 4 0 5 4 0	2 0	1 1	K C 2 7 1 4 4 0	6 2	1
K C 1 4 0 5 4 0	2 2	1 1	K C 2 7 1 9 4 0	5 8	7
K C 1 4 0 5 4 0	2 4	1 0	K C 2 7 1 9 5 0	5 8	6
K C 1 4 0 5 5 0	8	1 2	K C 2 7 1 9 6 0	5 8	3
K C 1 4 0 5 5 0	1 0	1 2	K C 3 2 0 5 9 0	3 8	1
K C 1 4 0 5 5 0	1 4	1 2	K C 3 3 0 1 7 0	3 4	2
K C 1 4 0 5 5 0	1 6	1 2	K C 3 3 0 1 8 0	6 2	6
K C 1 4 0 5 5 0	2 0	1 4	K C 3 3 0 3 1 0 3 8 0	3 0	5 9
K C 1 4 0 5 5 0	2 2	1 4	K C 3 3 0 4 1 0	3 0	4 1
K C 1 4 0 5 5 0	2 4	1 2	K C 3 3 0 4 1 0	6 2	2
K C 1 4 0 5 6 0	8	1 1	K C 3 3 0 5 1 0	3 4	2 7
K C 1 4 0 5 6 0	1 0	1 1	K C 3 3 0 5 1 0	6 2	3
K C 1 4 0 5 6 0	1 4	1 1	K C 4 5 0 5 6 0	4 2	1
K C 1 4 0 5 6 0	1 6	1 1	K C 4 7 0 1 9 0	5 0	1 6
K C 1 4 0 5 6 0	2 0	1 2	K C 4 7 0 5 2 0	5 0	1 5
K C 1 4 0 5 6 0	2 2	1 2	K C 4 7 0 5 4 0	5 0	1 9
K C 1 4 0 6 3 0	5 0	2 6	K C 4 7 0 5 9 0	5 0	1 1
K C 2 2 0 2 1 0	2 6	4 0	K C 4 7 0 6 2 0	5 0	1 4
K C 2 2 0 6 4 0	2 6	4 5	K C 4 7 0 6 4 0	5 0	1 1
K C 2 2 0 6 4 1	5 8	2 3	K C 4 7 0 6 5 0	5 0	6
K C 2 5 0 4 7 1	2 6	5 5	K C 4 8 0 1 5 0	4 6	5
K C 2 5 0 4 8 1	2 6	5 4	K C 4 8 0 2 1 0	5 0	4
K C 2 7 0 1 0 1	6 0	4 0	K C 4 8 0 2 4 0	5 0	1
K C 2 7 0 2 7 1	6 0	2 8	K C 4 8 0 2 6 0	5 0	3

# I N D E X

L I S T No.	PAGE No.	ITEM	L I S T No.	PAGE No.	ITEM
K C 4 8 0 2 7 0	5 0	1 8	K F 2 3 0 9 3 0	3 0	2 1
K C 4 8 0 3 2 0	5 0	2 4	K F 2 4 0 9 0 0	3 6	5
K C 4 8 0 3 3 0	5 0	1 0	K F 2 5 0 9 0 0	2 6	4 2
K C 4 8 0 3 5 0	4 2	3	K F 3 3 0 3 8 1	3 0	4 0
K C 4 8 0 3 5 0	4 4	3	K F 5 3 0 1 1 1	5 4	1 8
K C 4 8 0 3 5 0	4 6	3	K F 5 3 0 1 1 1	5 6	1 9
K C 4 8 1 2 3 0	5 0	2 5	K F 5 3 0 1 2 0	5 4	1 8
K C 4 8 1 2 4 0	5 0	2 7	K F 5 3 0 1 2 0	5 6	1 9
K C 4 8 1 2 5 0	4 2	5	K F 5 3 0 1 5 0	5 4	2 0
K C 4 8 1 2 6 0	4 2	6	K F 5 3 0 1 5 0	5 6	2 1
K C 4 8 1 2 6 0	4 4	5	K F 5 3 0 1 6 0	5 4	1 5
K C 4 8 1 2 8 1	5 0	3 2	K F 5 3 0 1 6 0	5 6	1 6
K C 4 8 1 3 6 0	5 0	3 3	K F 5 3 0 1 7 0	5 4	1 6
K C 5 1 0 2 4 0	4 0	1 3	K F 5 3 0 1 7 0	5 6	1 7
K C 5 3 0 2 3 0	5 4	1 9	K F 5 4 0 3 5 0	3 8	9
K C 5 3 0 2 3 0	5 6	2 0	K F 7 1 0 1 0 0	3 6	1
K C 5 3 0 2 4 0	5 4	1 7	K F 7 1 0 2 8 0	3 6	6
K C 5 3 0 2 4 0	5 6	1 8	K G 1 2 0 6 6 2	1 2	2
K F 2 2 0 1 3 0	2 6	1 1	K G 1 2 0 6 6 2	1 8	2
K F 2 2 0 2 3 0	2 6	4 4	K G 1 2 0 6 6 2	2 4	2
K F 2 2 0 2 7 1	2 6	2 7	K G 2 3 0 0 2 0	3 0	1 9
K F 2 2 0 2 9 0	2 6	3 7	K G 2 4 1 0 2 0	3 2	5
K F 2 2 0 4 1 0	2 6	5 1	K G 2 4 1 0 3 1	3 6	4
K F 2 2 0 4 4 0	2 6	5 2	K G 2 5 0 0 1 0	3 2	2 0
K F 2 2 0 4 6 0	2 6	1 9	K G 2 7 0 2 8 2	6 0	2 4
K F 2 2 0 4 7 0	2 6	2 6	K G 2 7 0 3 1 0	6 0	2 6
K F 2 2 0 4 8 0	2 6	3 5	K G 2 7 0 7 6 0	6 0	2 3
K F 2 2 0 7 8 0	2 6	4 9	K G 3 3 0 1 5 0	3 4	1 8
K F 2 3 0 2 1 0	3 0	2 7	K G 7 1 0 1 6 1	3 6	2
K F 2 3 0 2 3 0	3 0	2 2	K L 2 1 0 1 1 3	2 6	3
K F 2 3 0 2 4 0	3 0	2 3	K L 2 1 0 1 4 0	2 6	1 7
K F 2 3 0 2 5 0	3 0	2 4	K L 2 2 0 0 0 0	2 6	1 6
K F 2 3 0 4 2 0	2 6	3 0	K L 2 2 0 0 1 0	2 6	2 4
K F 2 3 0 5 3 0	2 8	1 3	K L 2 2 0 0 2 0	2 6	2 9
K F 2 3 0 5 8 0	2 8	2 2	K L 2 2 0 0 3 0	2 6	1 5
K F 2 3 0 5 8 0	6 0	2 5	K L 2 2 0 0 4 0	2 6	6
K F 2 3 0 6 2 0	3 4	3 5	K L 2 2 0 0 5 0	2 6	2 1
K F 2 3 0 6 3 0	3 0	3 8	K L 2 2 0 0 6 0	2 6	2 5
K F 2 3 0 6 3 0	3 4	2 6	K L 2 2 0 0 7 0	2 6	3 6
K F 2 3 0 6 4 0	3 0	3 9	K L 2 2 0 0 8 0	2 6	1 2
K F 2 3 0 6 5 0	3 0	3 7	K L 2 2 0 0 9 0	2 6	4
K F 2 3 0 6 6 1	3 0	3 6	K L 2 2 0 1 0 0	2 6	1
K F 2 3 0 6 7 0	3 0	3 5	K L 2 2 0 1 2 0	2 6	4 1
K F 2 3 0 9 1 0	3 0	2 0	K L 2 2 0 1 3 0	2 6	1 4
K F 2 3 0 9 2 0	3 0	2 6	K L 2 2 0 1 4 0	2 6	2 0

# I N D E X

L I S T	No.	PAGE No.	ITEM	L I S T	No.	PAGE No.	ITEM
KL 2 2 0 1 5 0		2 6	8	KN 4 8 0 0 6 1		4 8	8
KL 2 3 0 1 1 0		3 0	2 5	KN 4 8 0 0 6 1		5 0	5 1
KL 2 3 0 1 8 0		3 0	6 9	KN 4 8 0 0 6 1		5 2	3
KL 2 5 0 0 4 0		2 6	7	KN 4 8 0 4 0 0		4 2	2
KL 2 5 0 0 5 1		2 6	5 9	KN 4 8 0 4 0 0		4 4	2
KL 2 5 0 0 7 0		2 6	5 6	KN 4 8 0 4 2 0		4 6	2
KL 2 7 0 0 0 0		6 0	3 0	KN 4 8 0 7 9 0		5 0	1 7
KL 2 7 0 0 1 0		6 0	3 2	KN 4 8 2 0 0 0		4 8	2 1
KL 2 7 0 0 2 0		6 0	3 1	KN 4 8 2 0 1 0		4 8	1 3
KL 2 7 0 0 3 0		6 0	3 3	KN 4 8 2 8 7 1		4 8	5
KL 2 7 0 0 4 0		6 0	3 5	KN 4 8 2 8 8 0		4 8	7
KL 2 7 0 0 5 0		6 0	3 6	KN 4 8 2 8 9 0		5 2	4
KL 2 7 0 0 6 0		6 0	3 7	KN 4 8 3 4 0 0		4 8	2 0
KL 2 7 0 0 7 0		6 0	3 9	KN 4 8 3 4 1 0		5 2	1 6
KL 2 7 0 0 8 1		6 0	1 1	KN 4 8 3 4 2 0		5 2	1 6
KL 2 7 0 0 9 1		6 0	2 1	KN 4 8 3 4 4 2		4 8	9
KL 2 7 0 1 0 1		6 0	1 5	KN 4 8 3 4 5 0		4 8	2 2
KL 2 7 0 1 1 0		6 0	1 8	KN 4 8 3 4 6 0		4 8	9
KL 2 7 0 1 2 0		6 0	1 7	KN 5 1 0 5 7 0		3 6	2 4
KL 2 7 0 1 3 0		6 0	1 6	KU 1 2 0 8 0 0		8	6
KL 2 7 0 1 4 0		6 0	1 4	KU 1 2 0 8 0 0		1 0	6
KL 2 7 0 1 5 0		6 0	1 3	KU 1 2 0 8 0 0		1 2	9
KL 2 7 0 2 6 0		6 0	1 9	KU 1 2 0 8 0 0		1 4	6
KL 2 7 0 3 6 0		5 8	8	KU 1 2 0 8 0 0		1 6	6
KL 2 7 0 3 8 0		5 8	1 3	KU 1 2 0 8 0 0		1 8	9
KL 2 7 0 3 9 0		5 8	3 5	KU 1 2 0 8 0 0		2 0	7
KL 2 7 0 4 0 0		6 0	4 7	KU 1 2 0 8 0 0		2 2	7
KL 2 7 0 4 1 0		6 0	4 2	KU 1 2 0 8 0 0		2 4	6
KL 2 7 0 4 2 0		6 0	4 5	KU 1 2 1 3 1 0		1 4	2
KL 2 7 0 4 3 0		6 0	4 4	KU 1 2 1 3 1 0		2 0	3
KL 2 7 0 4 4 0		6 0	4 6	KU 1 2 1 3 2 0		8	2
KL 2 7 0 4 5 0		6 0	5 0	KU 1 2 1 3 2 0		1 4	3
KL 3 2 0 0 0 0		3 8	6	KU 1 2 1 3 2 0		2 0	2
KL 3 2 0 0 2 0		3 8	3	KU 1 4 0 5 5 0		1 2	1 1
KN 2 3 1 3 5 0		3 0	1 4	KU 1 4 0 5 5 0		1 8	1 1
KN 2 7 1 1 9 1		5 8	1 6	KU 1 4 0 7 0 0		1 2	7
KN 2 7 1 2 2 0		5 8	1 5	KU 1 4 0 7 0 0		1 8	7
KN 2 7 1 6 0 2		5 8	2 5	KU 1 5 1 6 0 3		1 2	1
KN 2 7 1 6 1 0		5 8	2 4	KU 1 5 1 6 1 3		1 8	1
KN 2 7 1 6 5 1		5 8	4	KU 1 5 1 6 3 2		1 4	1
KN 2 7 1 6 6 1		5 8	5	KU 1 5 1 6 4 3		2 4	1
KN 2 7 1 7 1 2		6 2	2 2	KU 1 5 1 6 5 2		2 2	1
KN 2 7 2 3 5 0		6 2	8	KU 1 5 1 6 6 2		2 0	1
KN 4 5 0 3 1 1		5 2	2 2	KU 1 5 1 6 7 2		1 0	1
KN 4 7 0 6 9 0		5 0	1 2	KU 1 5 1 6 8 1		1 6	1

# I N D E X

L I S T	No.	PAGE No.	ITEM	L I S T	No.	PAGE No.	ITEM
K U 1 5 1 6 9 1		8	1	K U 4 6 0 3 4 2		4 8	1
K U 1 5 1 7 0 0		1 2	6	K U 4 6 0 3 7 2		5 0	2 2
K U 1 5 1 7 1 0		1 8	6	K U 4 6 0 3 8 0		5 0	3 1
K U 1 5 1 7 3 1		1 4	7	K U 4 6 0 3 9 0		5 0	2 9
K U 1 5 1 7 4 1		2 4	7	K U 4 7 0 1 0 0		5 2	1 3
K U 1 5 1 7 5 1		2 2	8	K U 4 7 0 1 1 0		4 2	1 0
K U 1 5 1 7 6 1		2 0	8	K U 4 7 0 1 1 0		4 4	9
K U 1 5 1 7 8 1		1 0	7	K U 4 7 0 1 1 0		4 6	1 0
K U 1 5 1 7 9 0		1 6	7	K U 4 7 0 1 5 1		4 2	9
K U 1 5 1 9 1 0		8	7	K U 4 7 0 1 5 1		4 4	8
K U 1 6 1 6 0 2		1 2	5	K U 4 7 0 1 5 1		4 6	9
K U 1 6 1 6 1 2		1 8	5	K U 4 7 0 4 0 0		5 2	1 7
K U 1 6 1 6 3 2		1 4	8	K U 4 7 0 4 6 0		5 2	1 7
K U 1 6 1 6 4 2		2 4	8	K U 4 7 0 5 0 0		5 2	1 7
K U 1 6 1 6 5 2		2 2	9	K U 4 8 0 1 4 0		5 2	1 6
K U 1 6 1 6 6 2		2 0	9	K U 4 8 0 1 6 0		4 2	4
K U 1 6 1 6 7 2		1 0	8	K U 4 8 1 0 5 0		4 4	4
K U 1 6 1 6 8 1		1 6	8	K U 4 8 1 0 9 0		4 6	4
K U 1 6 1 6 9 1		8	8	K U 4 9 0 1 8 0		5 2	1 0
K U 2 4 1 4 0 0		3 2	1 4	K U 4 9 0 7 1 0		4 6	1 3
K U 2 7 0 0 1 0		5 8	3 1	K U 4 9 0 7 2 0		4 6	1 3
K U 3 1 0 0 7 2		4 0	9	K U 5 1 1 2 1 1		5 4	3
K U 3 1 0 0 8 2		4 0	9	K U 5 1 1 2 1 1		5 6	4
K U 3 1 0 1 3 0		4 0	1 0	K U 5 1 1 2 4 0		5 6	3
K U 3 1 0 1 5 3		4 0	8	M A 1 4 0 3 8 0		1 2	3
K U 3 1 0 1 6 1		3 8	1 0	M A 1 4 0 3 8 0		1 8	3
K U 3 1 2 7 2 0		4 0	4	M A 1 4 0 5 3 0		1 2	1 4
K U 3 1 2 7 3 0		4 0	1	M A 1 4 0 5 3 0		1 8	1 2
K U 3 1 2 7 4 2		4 0	7	M A 1 4 0 5 4 0		1 2	1 3
K U 3 1 2 7 5 1		4 0	3	M A 1 4 0 5 4 0		1 8	1 3
K U 3 1 2 7 7 2		3 8	1 7	M A 1 4 0 5 7 0		1 2	1 2
K U 3 1 5 2 5 0		4 0	2	M A 1 4 0 5 7 0		1 8	1 4
K U 3 3 1 5 2 0		3 4	2 1	M A 1 4 0 5 8 0		1 2	1 5
K U 3 3 1 7 1 2		3 4	3 0	M A 1 4 0 5 8 0		1 8	1 5
K U 3 3 1 7 2 2		3 4	3 1	M A 1 4 0 6 9 0		1 2	4
K U 3 3 1 7 3 0		3 4	2 9	M A 1 4 0 6 9 0		1 8	4
K U 3 3 1 7 4 0		3 4	7	M A 1 5 0 4 9 1		1 0	2
K U 3 3 1 7 5 0		3 4	4 0	M A 1 5 0 4 9 1		1 6	2
K U 3 3 1 7 6 0		3 4	4 1	M A 1 5 0 4 9 1		2 2	2
K U 3 3 1 9 0 0		3 4	1 5	M A 2 5 0 1 3 1		2 6	4 3
K U 3 3 1 9 1 0		3 4	4	M A 4 5 0 2 5 0		4 4	1
K U 3 3 1 9 3 0		3 4	1 2	M A 4 5 0 5 2 0		4 6	1
K U 4 6 0 2 7 0		4 8	1 7	M A 4 5 0 6 6 0		4 2	1
K U 4 6 0 2 7 0		5 0	3 0	M A 4 5 0 7 6 0		4 4	1
K U 4 6 0 2 7 0		5 2	2 4	M A 4 5 0 7 7 0		4 6	1



