

*Barudan*

**900XLC Parts Book**  
**(version 1)**

This parts book covers the first series of Meistergram  
900XLC machines built from 1991-1995,  
with serial numbers below 95112F.

Copyright 1991, 2002 Barudan America Inc.

---

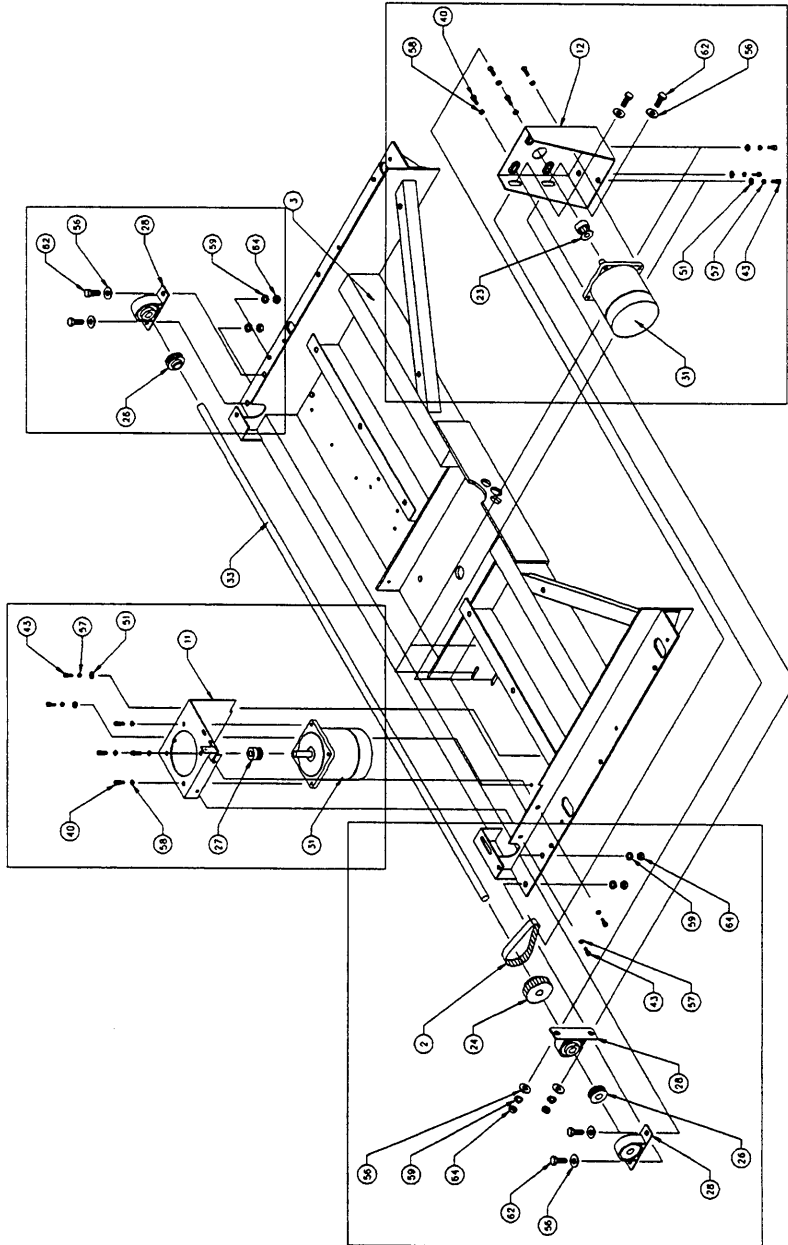
**APPENDIX A**


---

**PARTS IDENTIFICATION**

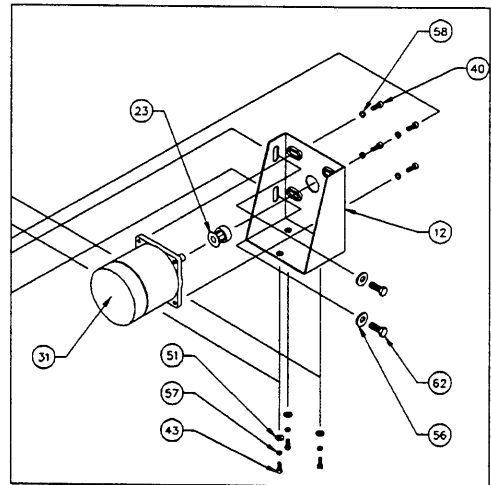
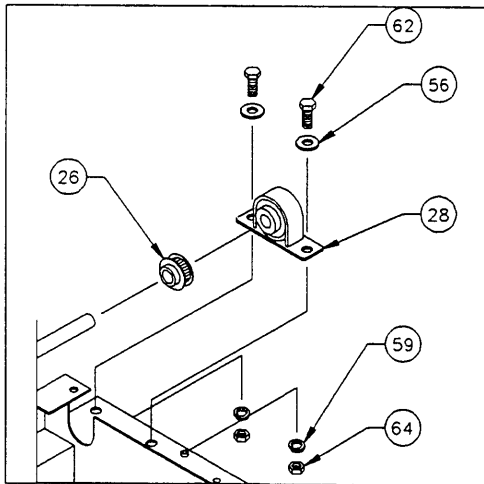
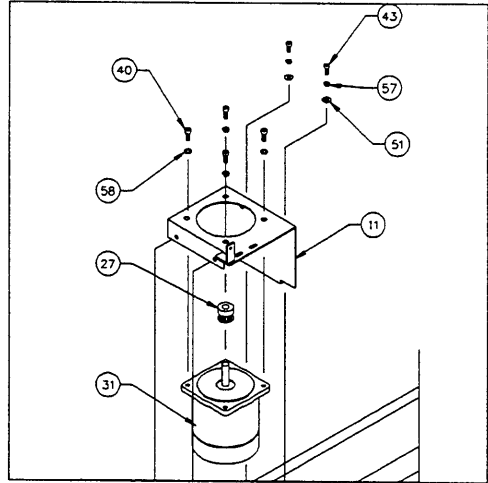
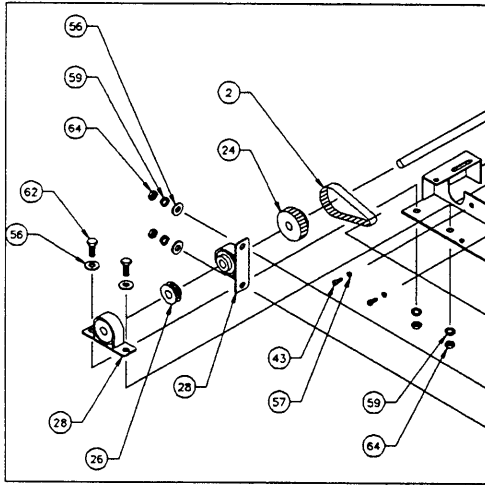
|   |    |
|---|----|
| BASE ASSEMBLY . . . . .                     | 2  |
| BASE ASSEMBLY - Y DRIVE UNIT . . . . .      | 6  |
| HEAD INSTALLATION . . . . .                 | 10 |
| TABLE TOP ASSEMBLY . . . . .                | 12 |
| X DRIVE BELT . . . . .                      | 16 |
| MAIN BASE . . . . .                         | 18 |
| LIMIT SWITCH ASSEMBLY . . . . .             | 20 |
| CENTER & LEFT COVER . . . . .               |    |
| THREAD STAND ASSEMBLY . . . . .             | 22 |
| THREAD STAND ASSEMBLY . . . . .             | 24 |
| HEAD ASSEMBLY . . . . .                     | 26 |
| MAIN MOTOR ASSEMBLY . . . . .               | 30 |
| PANTOGRAPH ARM ASSEMBLY . . . . .           | 32 |
| MEISTERGRAM HOOP ADAPTER ASSEMBLY . . . . . | 36 |
| CRT ARM ASSEMBLY . . . . .                  | 38 |
| TENSION ASSEMBLY . . . . .                  | 40 |
| BOBBIN WINDER TENSION ASSEMBLY . . . . .    | 42 |
| BOBBIN WINDER ASSEMBLY . . . . .            | 44 |
| SEWING HEAD PARTS - VIEW 1 . . . . .        | 46 |
| SEWING HEAD PARTS - VIEW 2A . . . . .       | 48 |
| SEWING HEAD PARTS - VIEW 2B . . . . .       | 50 |
| SEWING HEAD PARTS - VIEW 3A . . . . .       | 52 |
| SEWING HEAD PARTS - VIEW 3B . . . . .       | 54 |
| SEWING HEAD PARTS - VIEW 4A . . . . .       | 58 |
| SEWING HEAD PARTS - VIEW 4B . . . . .       | 62 |
| SEWING HEAD - FRONT VIEW . . . . .          | 64 |

# BASE ASSEMBLY



| BASE ASSEMBLY |          |                                   |      |
|---------------|----------|-----------------------------------|------|
| ITEM          | PART NO. | DESCRIPTION                       | QTY. |
| 2             | P520431  | Large Timing Belt 100 X L037      | 1    |
| 3             | P700001  | MZ-1 Weldment & Fabricated Base   | 1    |
| 11            | P700103  | X-Stepper Motor Bracket           | 1    |
| 12            | p700104  | Y-Stepper Motor Bracket           | 1    |
| 23            | P700411  | 10XL037 Pulley                    | 1    |
| 24            | P700412  | 30XL037 Pulley                    | 1    |
| 26            | P700416  | Pulley (15XL037)                  | 2    |
| 27            | P700419  | Pulley (25MXL025)                 | 1    |
| 28            | P700460  | Pillow Block Bearing              | 3    |
| 31            | P700560  | Pantograph Stepper Motor          | 2    |
| 33            | P700621  | Drive Y-Pantograph Shaft          | 1    |
| 40            | P840052  | 1/4-20 X 1/2 Hex Socket Cap Screw | 8    |
| 43            | P840073  | #10-32 X 3/8 Hex Socket Cap Screw | 22   |
| 51            | P840530  | #10 Flat Washer                   | 8    |
| 56            | P840561  | 5/16 Flat Washer                  | 12   |
| 57            | P840572  | #10 Lock Washer                   | 15   |
| 58            | P840580  | 1/4 Lock Washer Split             | 11   |
| 59            | P840582  | 5/16 Lock Washer Split            | 14   |
| 62            | P840601  | 5/16-18 X 3/4 Bolt                | 6    |
| 64            | P840707  | 5/16-18 Hex Nut                   | 14   |

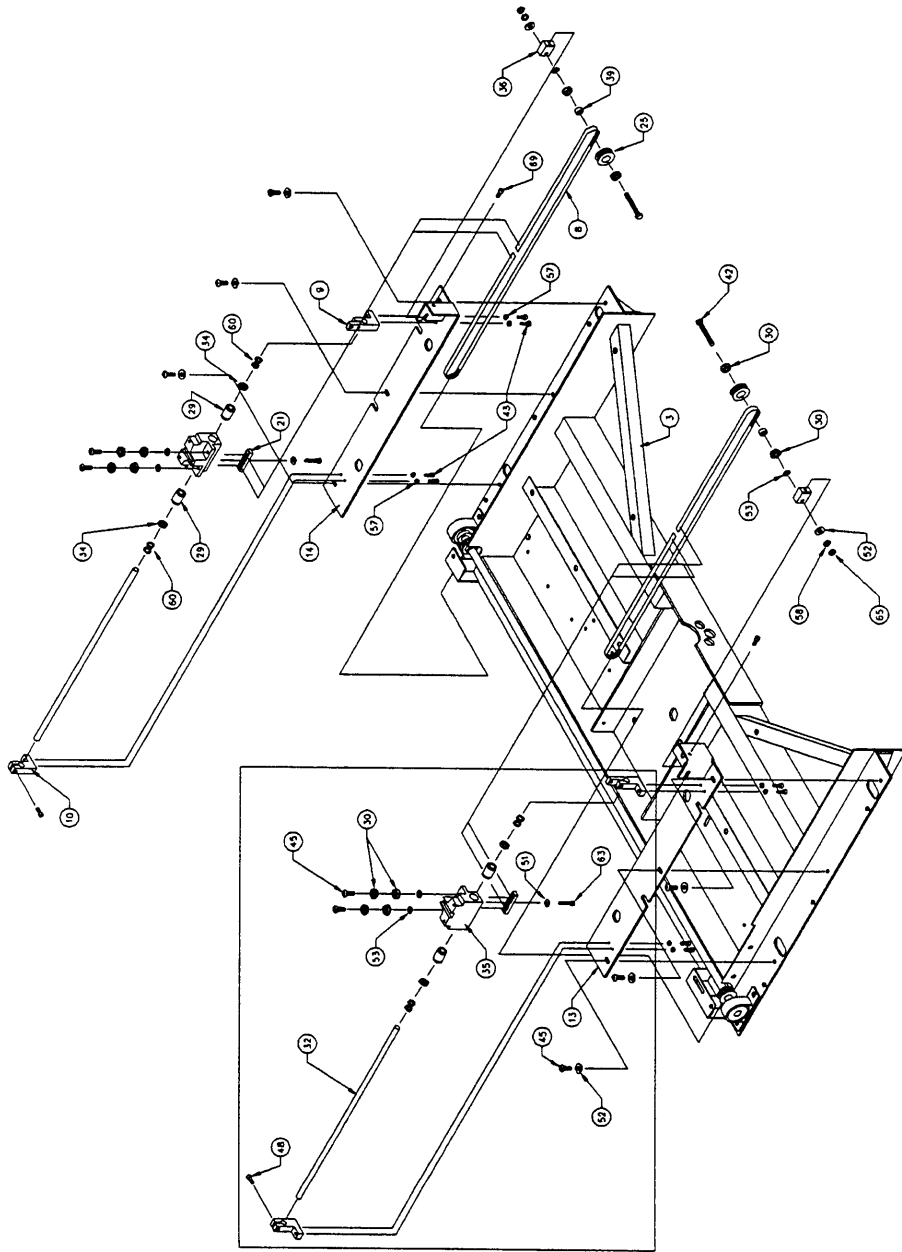
PARTS  
IDENTIFICATION



| BASE ASSEMBLY |          |                                   |      |
|---------------|----------|-----------------------------------|------|
| ITEM          | PART NO. | DESCRIPTION                       | QTY. |
| 2             | P520431  | Large Timing Belt 100 X L037      | 1    |
| 11            | P700103  | X-Stepper Motor Bracket           | 1    |
| 23            | P700411  | 10XL037 Pulley                    | 1    |
| 24            | P700412  | 30XL037 Pulley                    | 1    |
| 26            | P700416  | Pulley (15XL037)                  | 2    |
| 27            | P700419  | Pulley (25MXL025)                 | 1    |
| 28            | P700460  | Pillow Block Bearing              | 3    |
| 31            | P700560  | Pantograph Stepper Motor          | 2    |
| 40            | P840052  | 1/4-20 X 1/2 Hex Socket Cap Screw | 8    |
| 43            | P840073  | #10-32 X 3/8 Hex Socket Cap Screw | 22   |
| 51            | P840530  | #10 Flat Washer                   | 8    |
| 56            | P840561  | 5/16 Flat Washer                  | 12   |
| 57            | P840572  | #10 Lock Washer                   | 15   |
| 58            | P840580  | 1/4 Split Lock Washer             | 11   |
| 59            | P840582  | 5/16 Split Lock Washer            | 14   |
| 62            | P840601  | 5/16-18 X 3/4 Bolt                | 6    |
| 64            | P840707  | 5/16-18 Hex Nut                   | 14   |

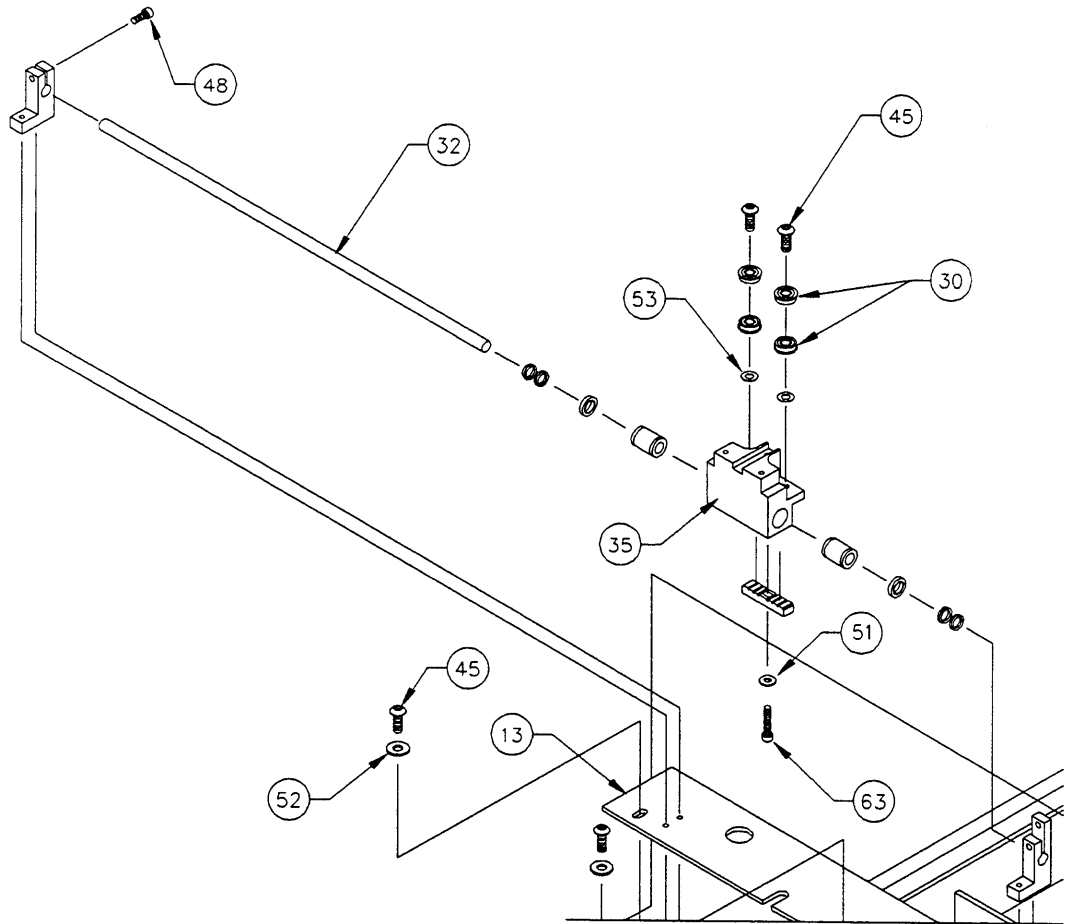
PARTS  
IDENTIFICATION

# BASE ASSEMBLY - Y DRIVE UNIT



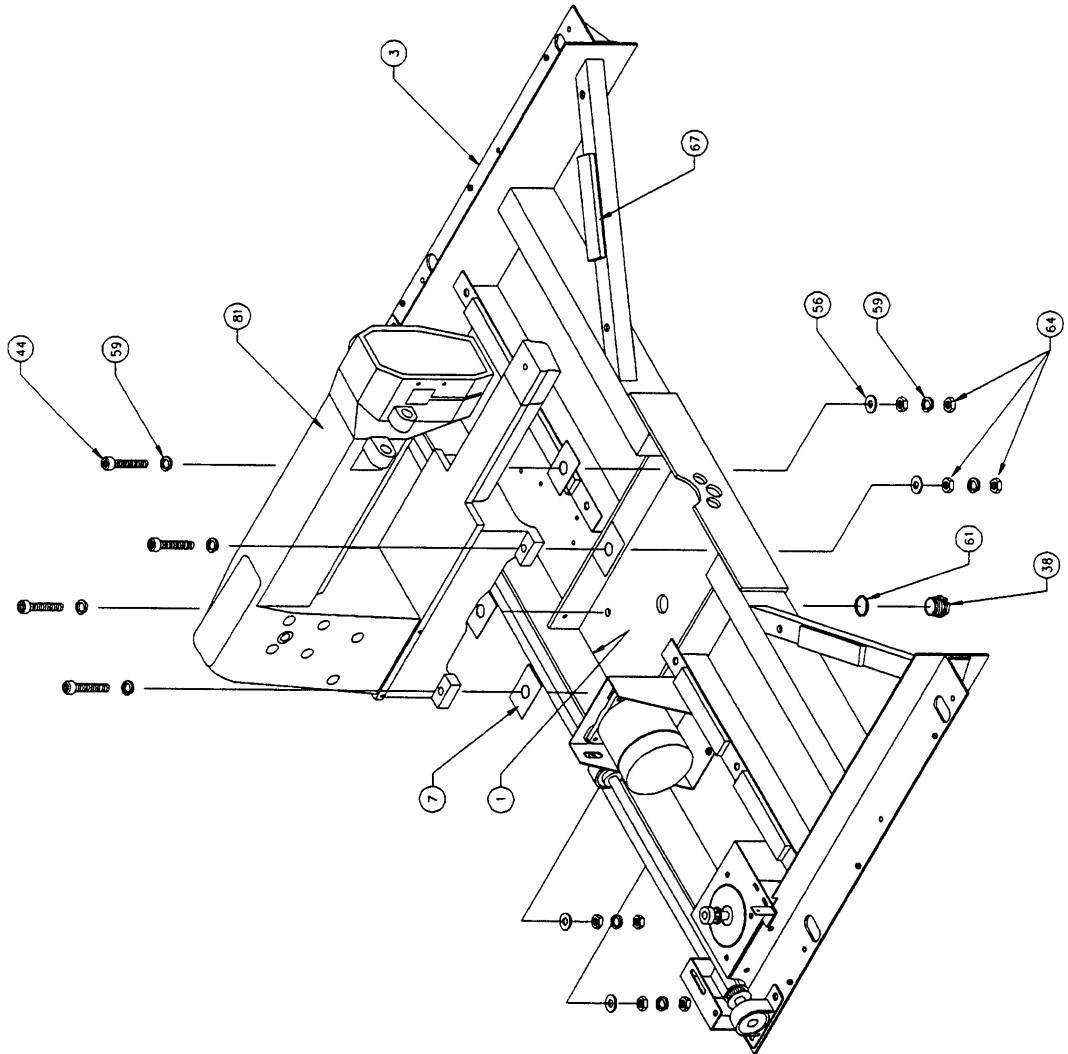


| BASE ASSEMBLY - Y DRIVE UNIT |          |                                     |      |
|------------------------------|----------|-------------------------------------|------|
| ITEM                         | PART NO. | DESCRIPTION                         | QTY. |
| 3                            | P700001  | MZ-1 Weldment & Fabricated Base     | 1    |
| 8                            | P700041  | Timing Belt (450XL037)              | 2    |
| 9                            | P700100  | Front Shaft Support Bracket         | 2    |
| 10                           | P700101  | Rear Shaft Support Bracket          | 2    |
| 13                           | P700105  | Left Side Mount Angle Bracket       | 1    |
| 14                           | P700106  | Right Side Mount Angle Bracket      | 1    |
| 21                           | P700240  | Timing Belt Y-pant Clamp            | 2    |
| 25                           | P700413  | Idler Pulley (15XL037)              | 2    |
| 29                           | P700461  | Linear 3/8 Bearing                  | 4    |
| 30                           | P700462  | Flanged Bearing                     | 18   |
| 32                           | P700620  | Precision Shaft                     | 2    |
| 34                           | P700622  | Linear Bearing Seal                 | 4    |
| 35                           | P700627  | Y-pantograph Carrier                | 2    |
| 36                           | P700635  | Pulley Adjustment Block             | 2    |
| 39                           | P820704  | 1/4 ID X 1/4 Spacer                 | 2    |
| 42                           | P840068  | 1/4-20 X 1-3/4 Full Thread Hex Bolt | 2    |
| 43                           | P840073  | #10-32 X 3/8 Hex Socket Cap Screw   | 22   |
| 45                           | P840136  | 1/4-20 X 5/8 Hex Socket Button Head | 12   |
| 48                           | P840435  | #10-32 X 1 Socket Head Cap Screw    | 2    |
| 51                           | P840530  | #10 Flat Washer                     | 8    |
| 52                           | P840540  | 1/4 Flat Washer                     | 9    |
| 53                           | P840556  | 1/4 Shim Washer                     | 9    |
| 57                           | P840572  | #10 Lock Washer                     | 15   |
| 58                           | P840580  | 1/4 Split Lock Washer               | 11   |
| 60                           | P840586  | 3/8 O-Ring                          | 8    |
| 63                           | P840621  | #10-32 X 3/4 Socket Head Cap Screw  | 2    |
| 65                           | P840710  | 1/4-20 Hex Nut                      | 3    |
| 69                           | P840737  | #10-32 X 5/8 Socket Head Cap Screw  | 4    |



| BASE ASSEMBLY - Y DRIVE UNIT |          |                                     |      |
|------------------------------|----------|-------------------------------------|------|
| ITEM                         | PART NO. | DESCRIPTION                         | QTY. |
| 30                           | P700462  | Flanged Bearing                     | 18   |
| 32                           | P700620  | Precision Shaft                     | 2    |
| 35                           | P700627  | Y-Pantograph Carrier                | 2    |
| 45                           | P840136  | 1/4-20 X 5/8 Hex Socket Button Head | 12   |
| 48                           | P840435  | #10-32 X 1 Socket Head Cap Screw    | 2    |
| 51                           | P840530  | #10 Flat Washer                     | 8    |
| 53                           | P840556  | 1/4 Shim Washer                     | 9    |

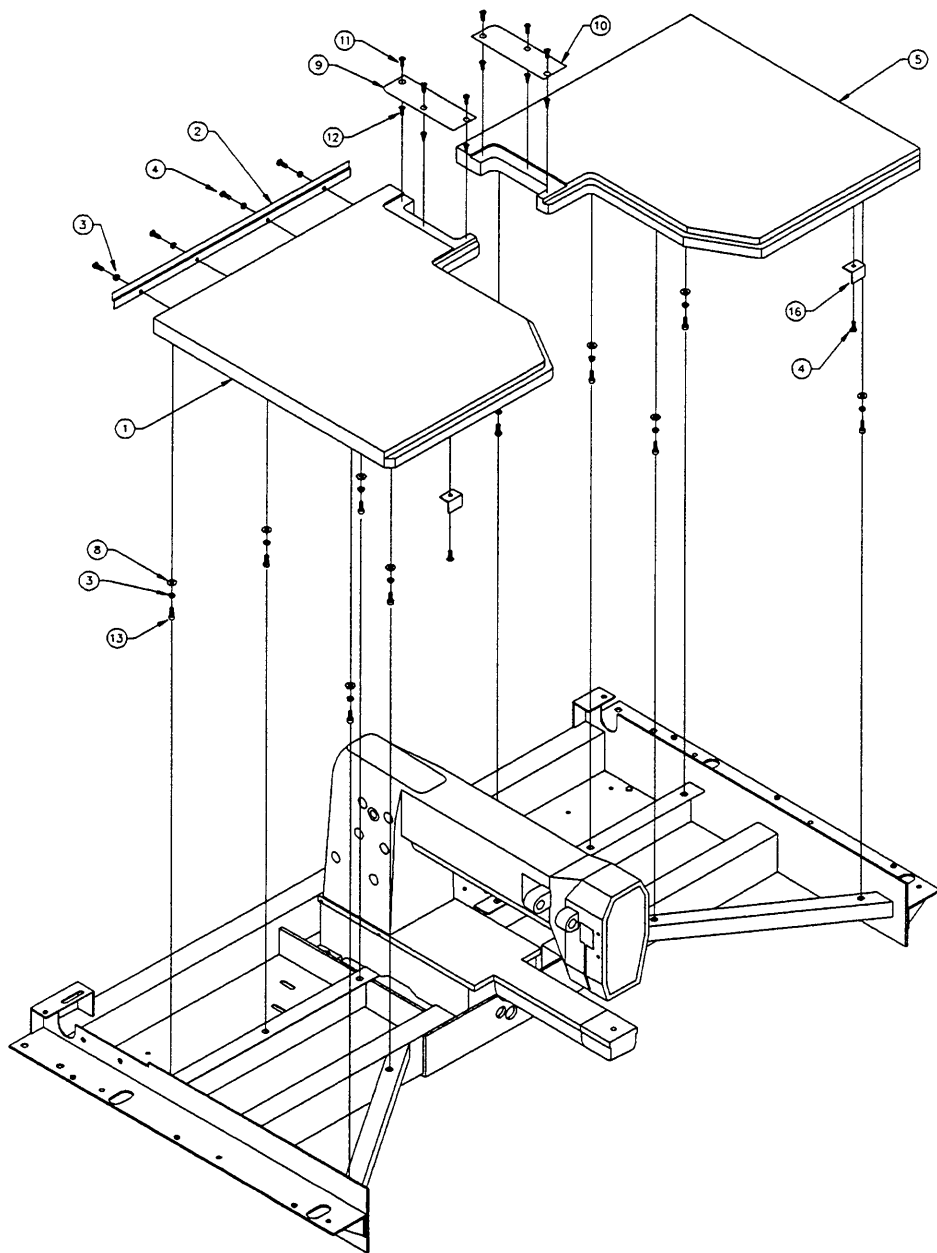
# HEAD INSTALLATION



| HEAD INSTALLATION |          |                                     |       |
|-------------------|----------|-------------------------------------|-------|
| ITEM              | PART NO. | DESCRIPTION                         | QTY.  |
| 1                 | 9P870002 | Oil Sealant R.T.V.                  | 1     |
| 3                 | P700001  | MZ-1 Weldment and Fabricated Base   | 1     |
| 7                 | P700016  | Vibration Mountpad                  | 4     |
| 38                | P820703  | Plug                                | 1     |
| 44                | P840077  | 5/16-18x1-1/2 Socket Head Cap Screw | 4     |
| 59                | P840582  | 5/16 Split Lock Washer              | 8     |
| 61                | P840587  | 7/8 O-Ring                          | 1     |
| 64                | P840707  | 5/16-18 Hex Nut                     | 4     |
| 67                | 9P520002 | 1" X 5/16" Adhesive Neoprene        | 4 ft. |
| 81                |          | Sewing Head Assembly                | 1     |

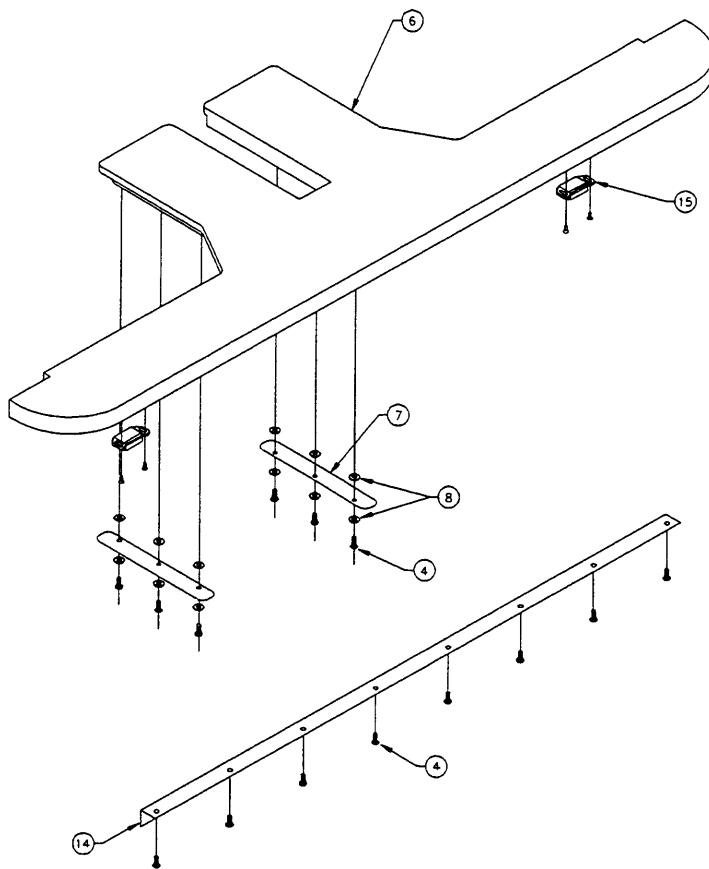
PARTS  
IDENTIFICATION

# TABLE TOP ASSEMBLY



| TABLE TOP ASSEMBLY |          |                                       |      |
|--------------------|----------|---------------------------------------|------|
| ITEM               | PART NO. | DESCRIPTION                           | QTY. |
| 1                  | P700160  | Left Table Top                        | 1    |
| 2                  | P700113  | Left & Center Retainer Bracket        | 1    |
| 3                  | P840572  | #10 Split Lock Washer                 | 13   |
| 4                  | P840313  | #10x3/4 Philips Round Head Wood Screw | 11   |
| 5                  | P700160A | Right Table Top                       | 1    |
| 8                  | P840530  | #10 Flat Washer                       | 16   |
| 9                  | P700204  | Left Head Mount Access Plate          | 1    |
| 10                 | P700205  | Right Head Mount Access Plate         | 1    |
| 11                 | P840XXX  | #8-32x3/8 Philips Flat Head Undercut  | 6    |
| 12                 | P840XXX  | #8-32 Thread Ins. Stafast #3083210    | 6    |
| 13                 | P840XXX  | #10-32x1 1/4 Hex Socket Cap Screw     | 10   |
| 16                 | TA-1440  | Table Magnet Strike Plate             | 2    |

PARTS  
IDENTIFICATION

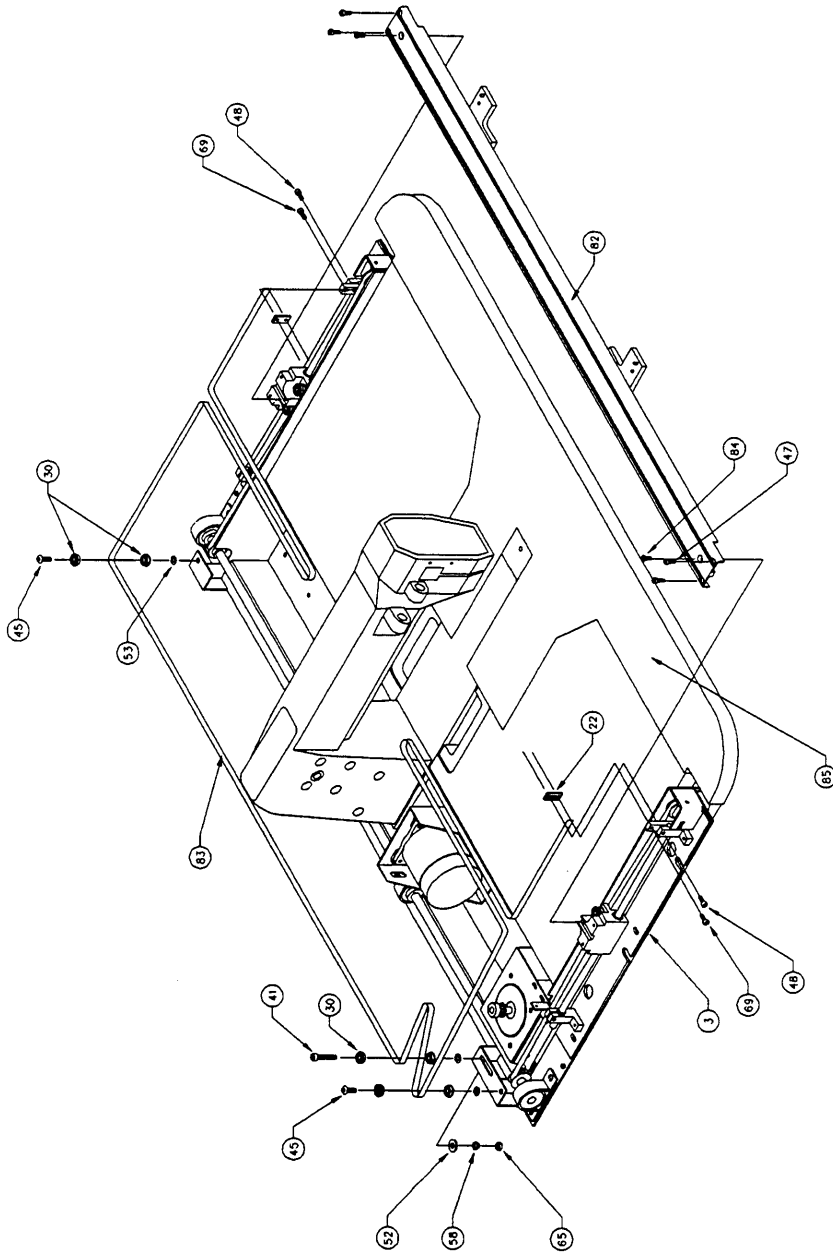




| TABLE TOP ASSEMBLY |          |                                       |       |
|--------------------|----------|---------------------------------------|-------|
| ITEM               | PART NO. | DESCRIPTION                           | QTY.  |
| 4                  | P840313  | #10x3/4 Philips Round Head Wood Screw | 11    |
| 6                  | P700160B | Table Top Leaf                        | 1     |
| 7                  | P700203  | Table Top Retainer Plate              | 2     |
| 8                  | P840530  | #10 Flat Washer                       | 16    |
| 14                 | 9P520002 | 1" x 5/16" Adhesive Neoprene          | 4 ft. |
| 15                 | TA-1439  | Sewing Head/Table Magnet              | 2     |

PARTS  
IDENTIFICATION

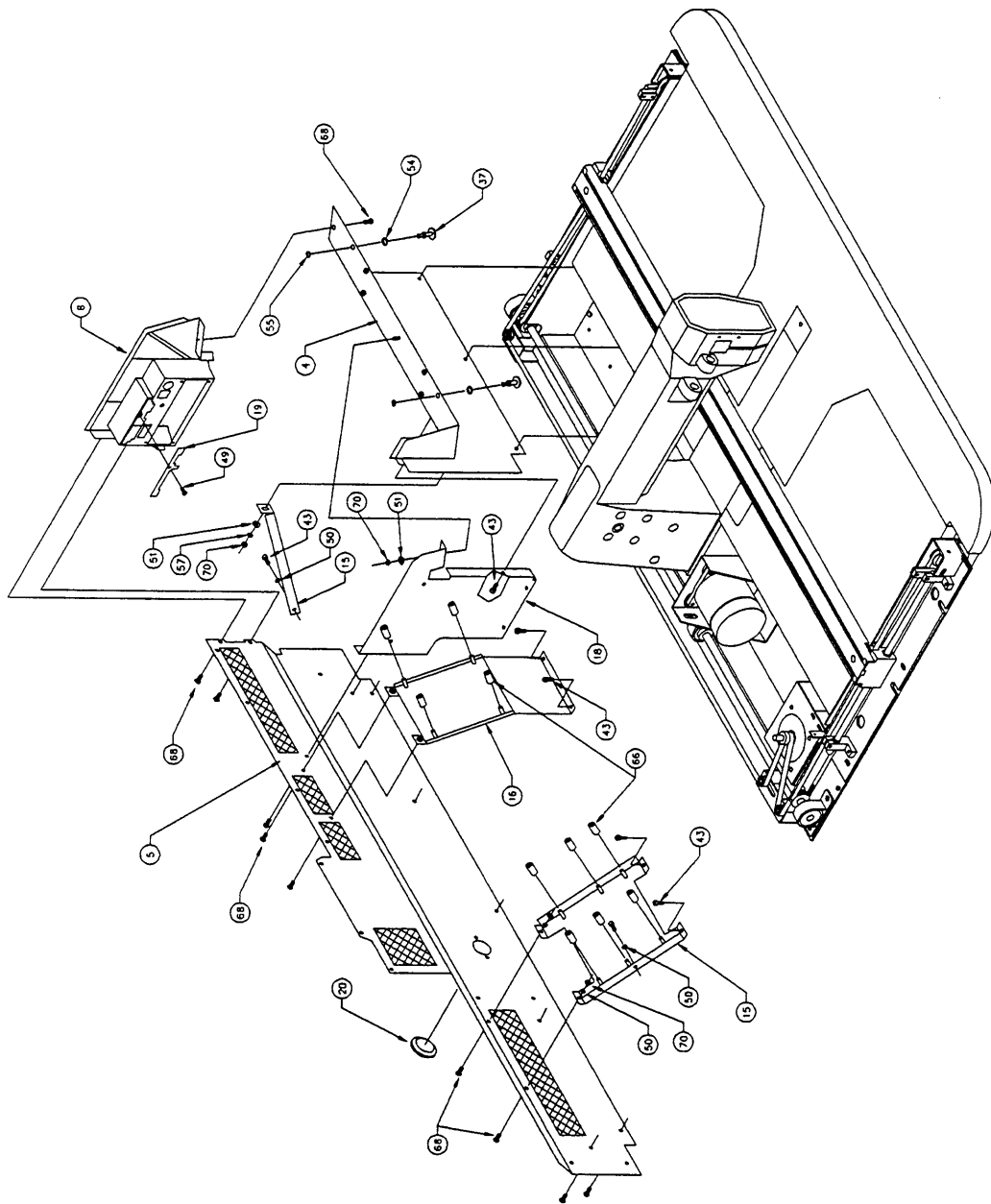
# X DRIVE BELT



| X DRIVE BELT |          |                                     |      |
|--------------|----------|-------------------------------------|------|
| ITEM         | PART NO. | DESCRIPTION                         | QTY. |
| 3            | P700001  | MZ-1 Weldment & Fabricated Base     | 1    |
| 22           | P700241  | Timing Belt Clamp                   | 2    |
| 30           | P700462  | Flanged Bearing                     | 18   |
| 41           | P840053  | 1/4-20 X 1 Hex Socket Cap Screw     | 1    |
| 45           | P840136  | 1/4-20 X 5/8 Hex Socket Button Head | 12   |
| 47           | P840434  | #10-32 X 1/2 Socket Head Cap Screw  | 4    |
| 48           | P840435  | #10-32 X 1 Socket Head Cap Screw    | 2    |
| 52           | P840540  | 1/4 Flat Washer                     | 9    |
| 53           | P840556  | 1/4 Shim Washer                     | 9    |
| 58           | P840580  | 1/4 Lock Washer Split               | 11   |
| 65           | P840710  | 1/4-20 Hex Nut                      | 3    |
| 69           | P840737  | #10-32 X 5/8 Socket Head Cap Screw  | 4    |
| 82           | ZP701300 | Pantograph Arm Fabrication          | 1    |
| 83           | 9P870001 | Timing Belt (MXL025)                | 12ft |
| 84           | P840738  | #10-32 X 5/8 Socket Head Flat Screw | 2    |
| 85           | ZP701700 | Table Top Assembly                  | 1    |

PARTS  
IDENTIFICATION

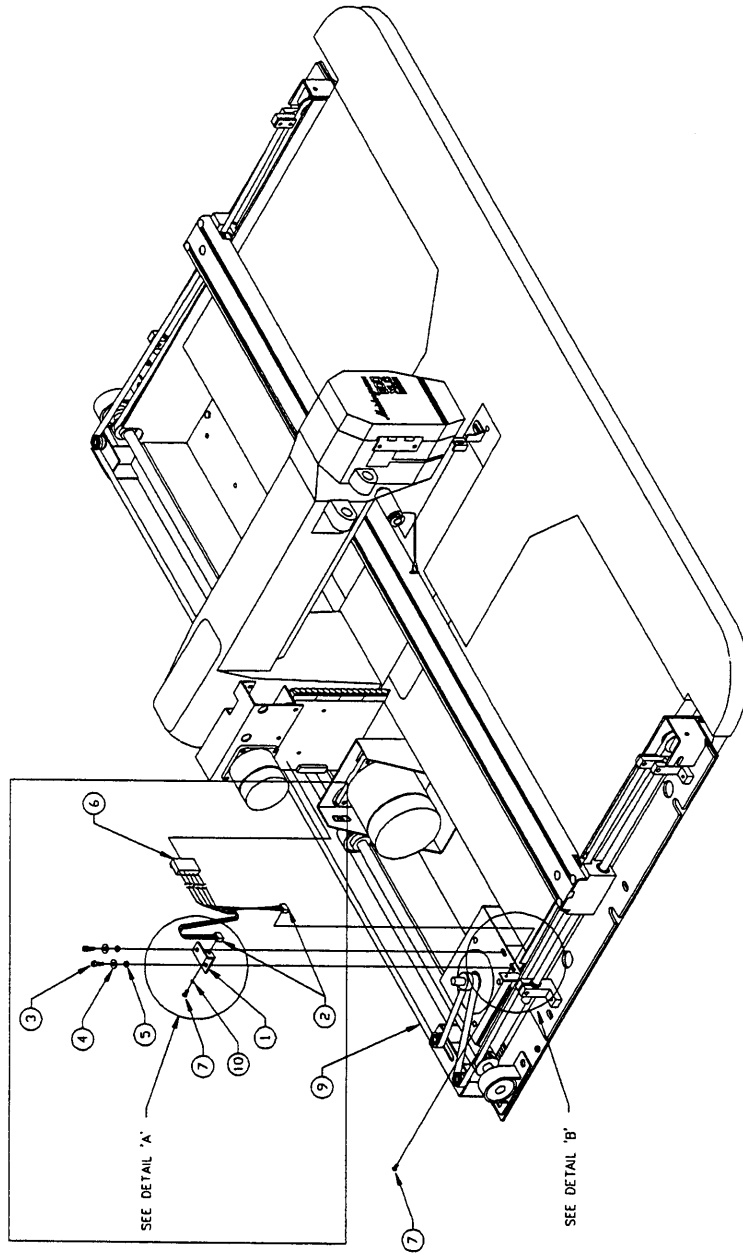
# MAIN BASE



| MAIN BASE |          |                                     |      |
|-----------|----------|-------------------------------------|------|
| ITEM      | PART NO. | DESCRIPTION                         | QTY. |
| 4         | P700002  | Lower Front Right Cover             | 1    |
| 5         | P700003  | Back Panel                          | 1    |
| 6         | P700015  | Plastic Right End Cover             | 1    |
| 15        | P700108  | Stepper Board Bracket               | 1    |
| 16        | P700115  | Front Panel Support Bracket         | 1    |
| 17        | P700116  | Servo Board Bracket                 | 1    |
| 18        | P700201  | Center Vert Support Plate           | 1    |
| 19        | P700208  | Power Module Cover Plate            | 1    |
| 20        | P700222  | Back Panel Metal Plug               | 1    |
| 37        | P820701  | 1/4 Turn Fastener                   | 2    |
| 43        | P840073  | #10-32 X 3/8 Hex Socket Cap Screw   | 22   |
| 49        | P840470  | #8-32 X 3/8 Phillips Tap (type 25)  | 1    |
| 50        | P840506  | #10 Internal Tooth Lock Washer      | 4    |
| 51        | P840530  | #10 Flat Washer                     | 8    |
| 54        | P840558  | Nylon Washer                        | 2    |
| 55        | P840559  | Retainer                            | 2    |
| 57        | P840572  | #10 Lock Washer                     | 15   |
| 66        | P840722  | #6-32 X 1/4 Hex Female Standoff     | 10   |
| 68        | P840736  | #10-32 X 3/8 Hex Socket Head Button | 15   |
| 70        | P840740  | #10-32 Hex Nut                      | 4    |

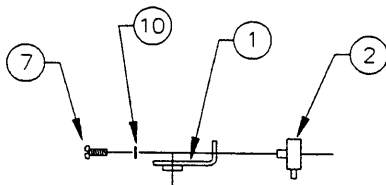
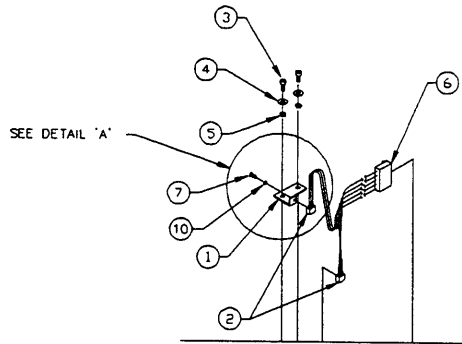
PARTS  
IDENTIFICATION

# LIMIT SWITCH ASSEMBLY



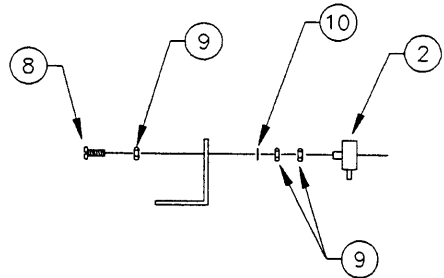
| LIMIT SWITCH ASSEMBLY |          |                                   |      |
|-----------------------|----------|-----------------------------------|------|
| ITEM                  | PART NO. | DESCRIPTION                       | QTY. |
| 1                     | P700109  | Limit Switch Bracket              | 1    |
| 2                     | P413020  | Hall Effect Sensor                | 2    |
| 3                     | P840065  | #8-32 X 3/8 Hex Socket Cap Screws | 2    |
| 4                     | P840520  | #8 Flat Washer                    | 2    |
| 5                     | P840523  | #8 Lock Washer Split              | 2    |
| 6                     | P700353  | Limit Switch Harness              | 1    |
| 7                     | P840396  | #4-40 X 3/16 Slot Pan Head Screw  | 1    |
| 8                     | P840405  | #4-40 X 3/4 Slot Pan Head Screw   | 1    |
| 9                     | P840715  | #4-40 Hex Nut                     | 3    |
| 10                    | P840505  | #4 Internal Tooth Lock Washer     | 2    |

PARTS IDENTIFICATION



DETAIL 'A'

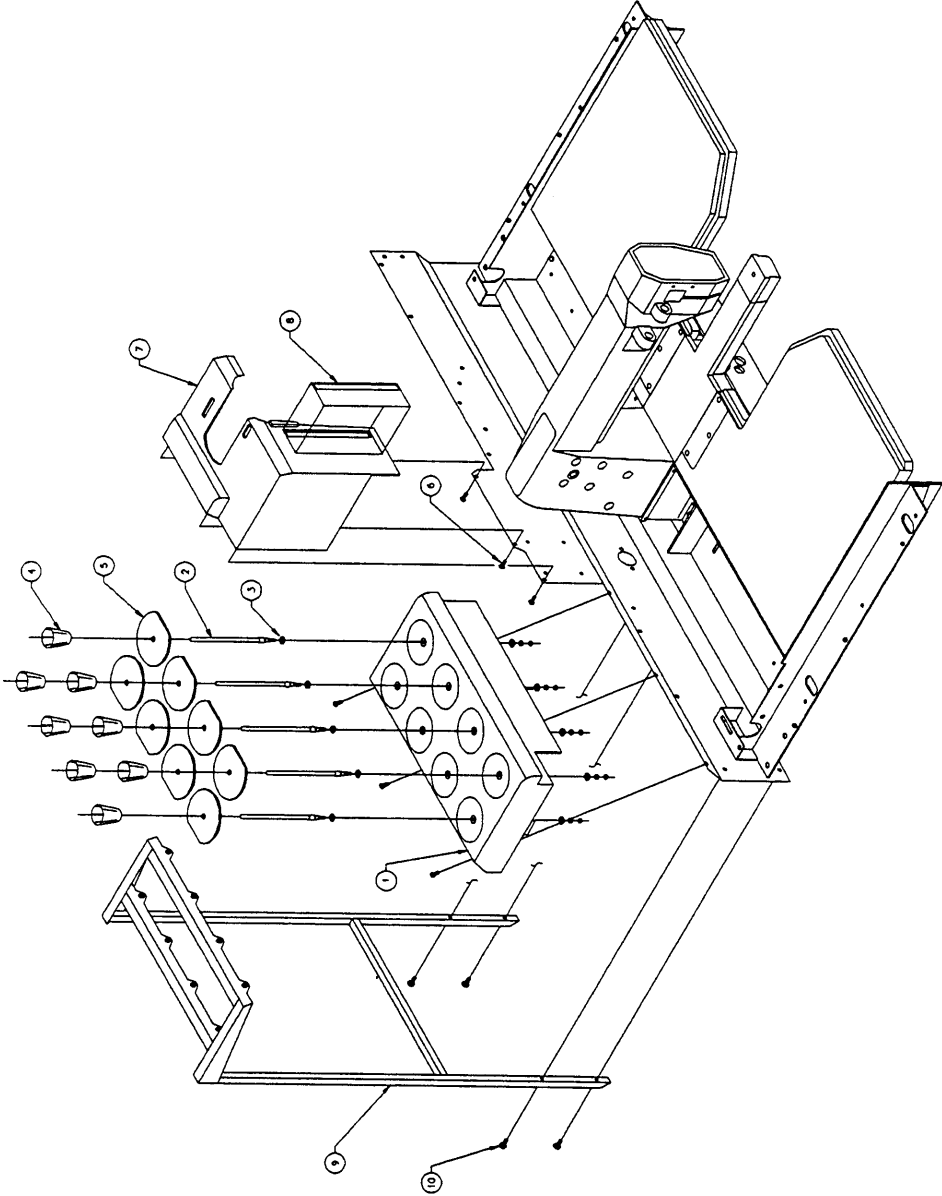
Y-AXIS SENSOR ASSEM.



DETAIL 'B'

X-AXIS SENSOR ASSEM.

# CENTER & LEFT COVER THREAD STAND ASSEMBLY

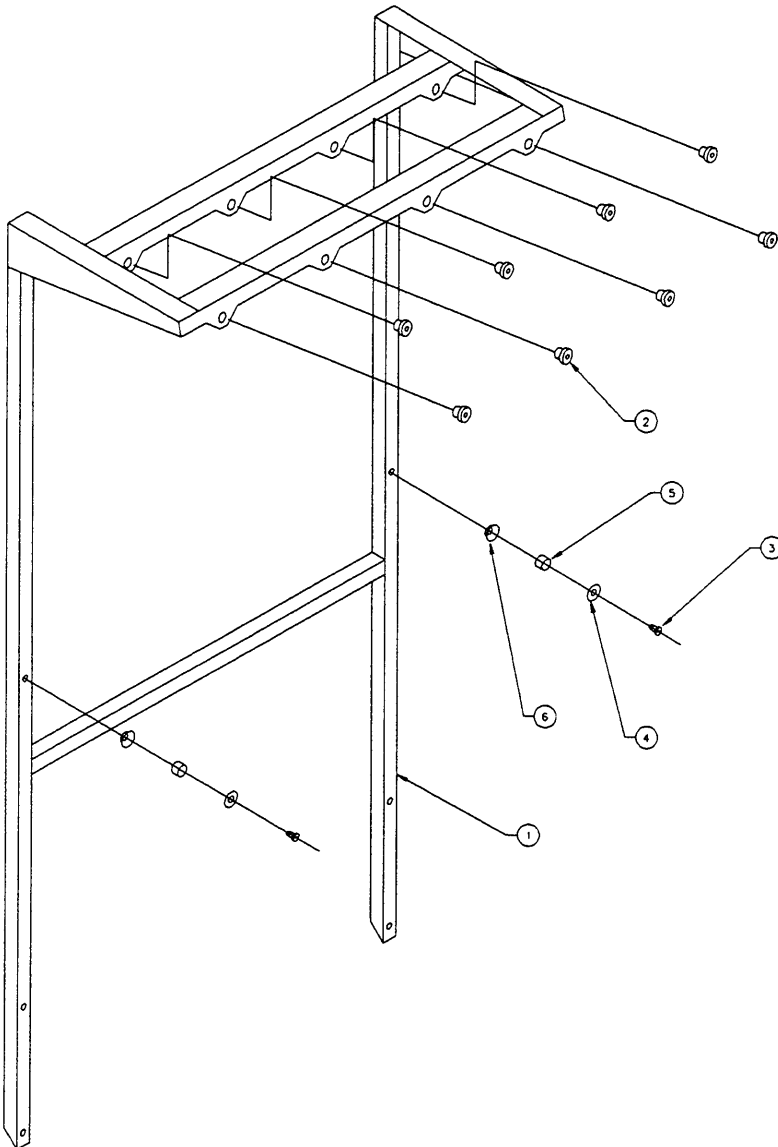




| CENTER & LEFT COVER<br>THREAD STAND ASSEMBLY |          |                                      |      |
|--|----------|--------------------------------------|------|
| ITEM   | PART NO. | DESCRIPTION                          | QTY. |
| 1  | P700005  | Left Top And Thread Base             | 1    |
| 2  | P700701  | Thread Spindle                       | 8    |
| 3  | P840543  | Thread Spindle Shim Washer           | 8    |
| 4  | P700702  | Thread Spider                        | 8    |
| 5  | P700703  | Thread Stand Felt                    | 8    |
| 6  | P840736  | 10-32 X 3/8 Socket Button Head Screw | 6    |
| 7  | P700006  | Center Top Housing                   | 1    |
| 8  | P700903  | Status Decal                         | 1    |
| 9  | ZP701240 | Thread Stand Assembly                | 1    |
| 10   | P840443  | Thumbscrews                          | 4    |

PARTS  
IDENTIFICATION

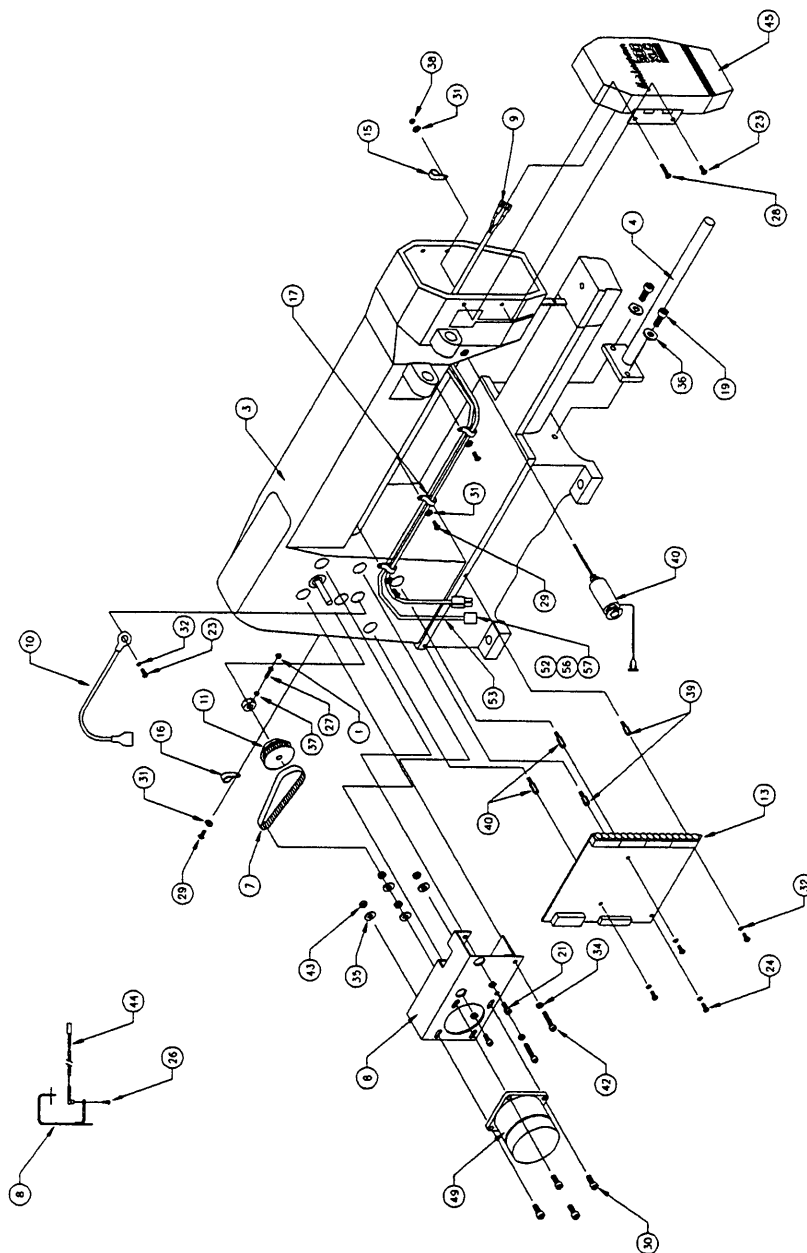
# THREAD STAND ASSEMBLY



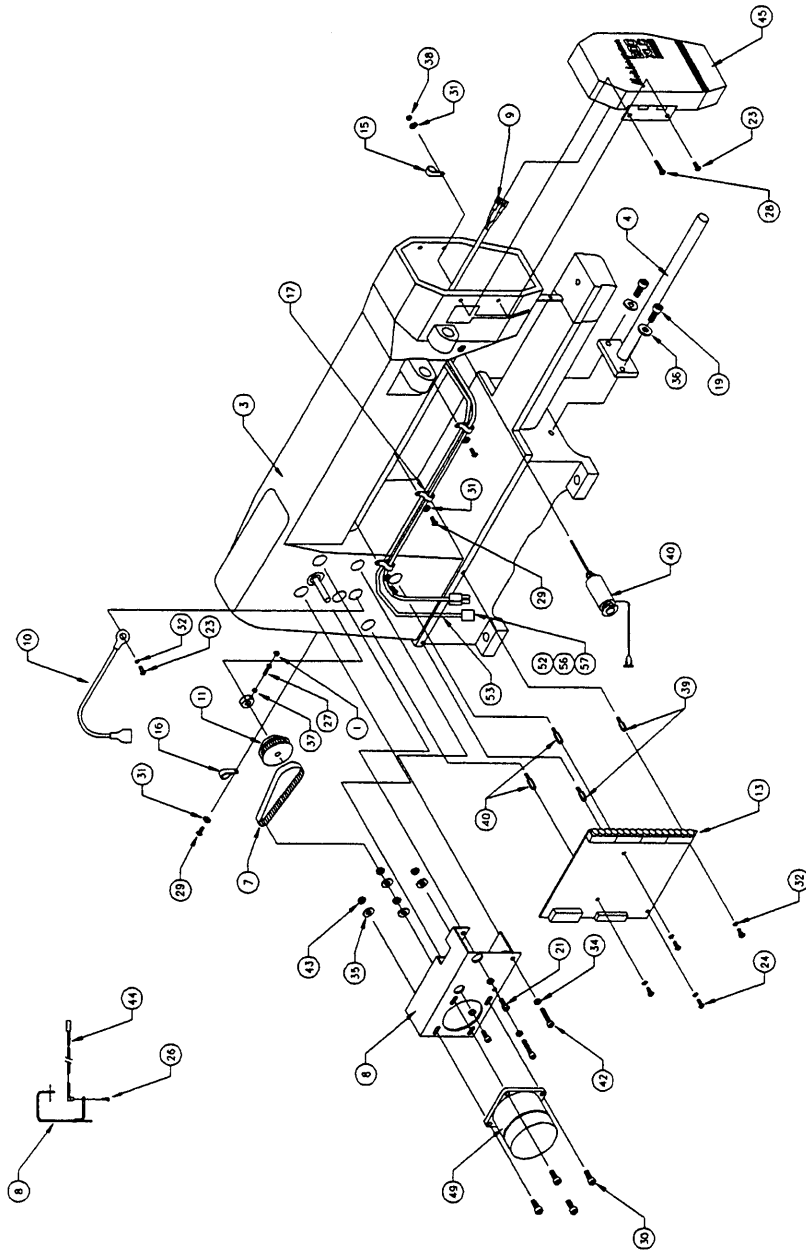
| THREAD STAND ASSEMBLY |          |                   |      |
|-----------------------|----------|-------------------|------|
| ITEM                  | PART NO. | DESCRIPTION       | QTY. |
| 1                     | P700704  | Thread Stand Mast | 1    |
| 2                     | P820705  | Eyelets           | 8    |
| 3                     | P700801  | Screw M 27        | 2    |
| 4                     | P700802  | Washer For M 27   | 2    |
| 5                     | P700803  | Spring For M 27   | 2    |
| 6                     | P700804  | Thread Trap Disc  | 2    |

PARTS  
IDENTIFICATION

# HEAD ASSEMBLY



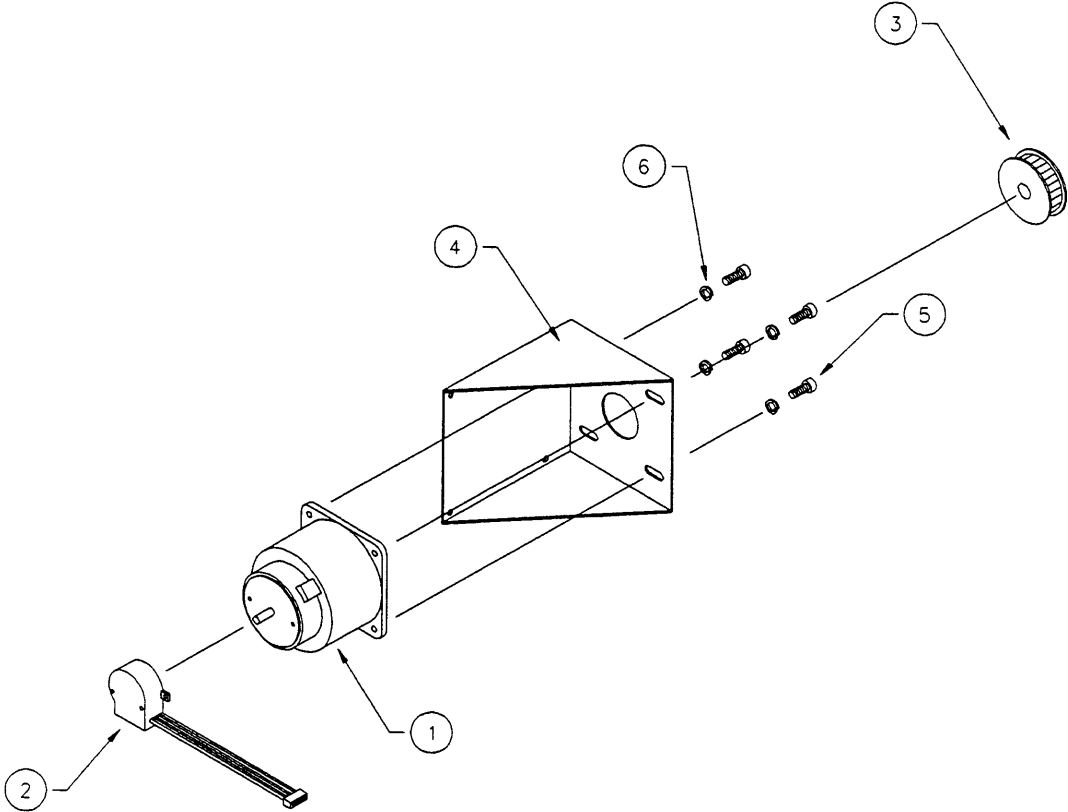
| HEAD ASSEMBLY |          |  |      |
|---------------|----------|--|------|
| ITEM          | PART NO. | DESCRIPTION                              | QTY. |
| 1             | P413018  | Magnet                                   | 1    |
| 2             | P530238  | Sewing Head Tie Cable                    | 1    |
| 3             | P661001  | Cylinder Arm Head                        | 1    |
| 4             | P661262  | XLC Pivot Shaft                          | 1    |
| 5             | P661269  | XLC Presserfoot                          | 1    |
| 6             | P700040  | Timing Belt (195L050)                    | 1    |
| 7             | P700043  | Timing Belt (100MXL025)                  | 1    |
| 8             | P700102  | Stitch Width Bracket                     | 1    |
| 9             | P700348  | Lamp Power Harness                       | 1    |
| 10            | P700364  | Ground Wire                              | 1    |
| 11            | P700415  | Pulley (48MXL025)                        | 1    |
| 12            | P700418  | Timing Pulley (32L050)                   | 1    |
| 13            | P700607  | Head Interface Board (PCB)               | 1    |
| 14            | P700909  | Machine Oil Information Decal            | 1    |
| 15            | P820056  | 1/8 Cable Clip                           | 1    |
| 16            | P820061  | 3/16" Cable Clip                         | 1    |
| 17            | P820066  | 1/4" Cable Clip                          | 3    |
| 18            | P820700  | Sewing Head Table Magnet                 | 1    |
| 19            | P840001  | M6 X 20 Socket Head Cap Screw            | 2    |
| 20            | P840003  | M4 X 10 Hex Socket Cap Screw             | 4    |
| 21            | P840065  | #8-32 X 3/8 Hex Socket Cap Screw         | 2    |
| 22            | P840121  | #8-32 X 1-1/4 Socket Head Cap Screw      | 1    |
| 23            | P840152  | #6-32 X 3/8 Phillips Pan Head Screw      | 1    |
| 24            | P840160  | #6-32 X 1/4 Phillips Hex Head Washer     | 4    |
| 25            | P840391  | #4-40 X 3/8 Hex Socket Button Head Screw | 3    |
| 26            | P840396  | #4-40 X 3/16 Phillips Pan Head Screw     | 1    |
| 27            | P840405  | #4-40 X 3/4 P.H.M. Screw                 | 1    |
| 28            | P840409  | #6-32 X 3/4 Phillips Round Head Screw    | 1    |
| 29            | P840410  | #6-32 X 3/8 Slotted Pan Head Screw       | 4    |
| 30            | P840434  | #10-32 X 1/2 Socket Head Cap Screw       | 4    |
| 31            | P840510  | #6 Flat Washer                           | 5    |
| 32            | P840511  | #6 Internal Tooth Lock Washer            | 5    |
| 34            | P840523  | #8 Split Lockwasher                      | 5    |



| HEAD ASSEMBLY |          |                                    |      |
|---------------|----------|------------------------------------|------|
| ITEM          | PART NO. | DESCRIPTION                        | QTY. |
| 35            | P840530  | #10 Flat Washer                    | 4    |
| 36            | P840540  | 1/4" Flat Washer                   | 2    |
| 37            | P840715  | #4-40 Hex Nut                      | 1    |
| 38            | P840720  | #6-32 Hex Nut                      | 1    |
| 39            | P840721  | #6-32 X 1/2 Hex M/F Stand Off      | 2    |
| 40            | P840723  | #6-32 X 3/8 Hex M/F Stand Off      | 2    |
| 41            | P840730  | #8-32 Hex Nut                      | 3    |
| 42            | P840734  | #8-32 X 1-1/2 Hex Socket Cap Screw | 2    |
| 43            | P840740  | #10-32 Hex Nut                     | 4    |
| 44            | ZP701100 | 900XLC SWL Sensor Assembly         | 1    |
| 45            | ZP701110 | 900XLC Door Assembly               | 1    |
| 46            | ZP701120 | 900XLC NPS Sender Assembly         | 1    |
| 47            | ZP701140 | 900XLC NPS Pickup Assembly         | 1    |
| 48            | ZP701160 | Tension Release Solenoid Assembly  | 1    |
| 49            | ZP701180 | 900XLC Stitch Width Assembly       | 1    |
| 50            | ZP701200 | 900XLC Main Motor Assembly         | 1    |
| 51            | P840515  | #4 Flat Washer                     | 3    |
| 52            | 9P530010 | Polarizing Key/TBK                 | 1    |
| 53            | 9P820350 | 3/32 Shrink Tubing                 | 1    |
| 54            | P312027  | 5" Cable Tie                       | 2    |
| 55            | P312028  | 3" Cable Tie                       | 4    |
| 56            | P820521  | Bearing Terminal/TBK               | 2    |
| 57            | P820562  | 3 Circuit Housing                  | 1    |

PARTS  
IDENTIFICATION

# MAIN MOTOR ASSEMBLY

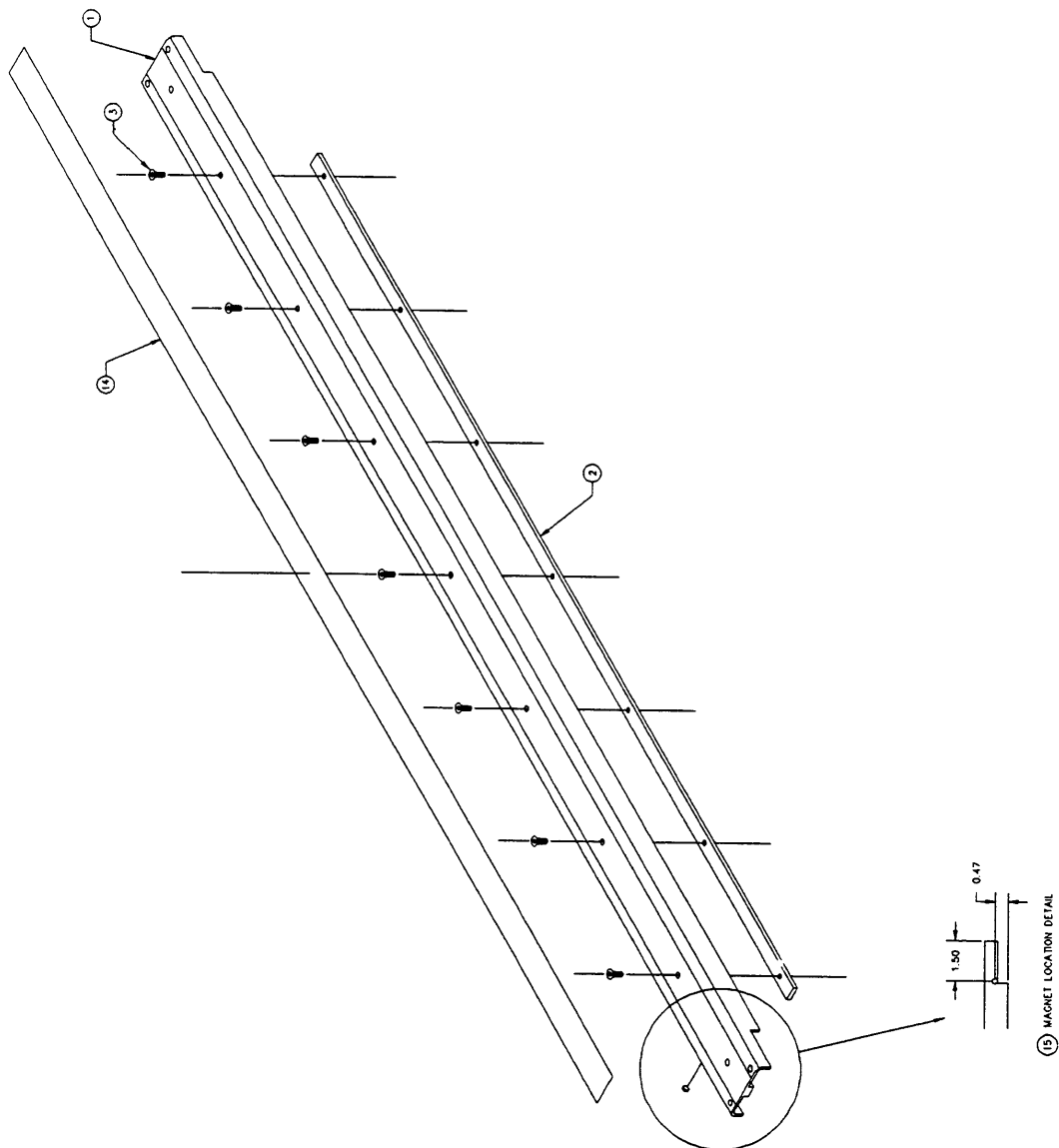




| MAIN MOTOR ASSEMBLY |          |                                    |      |
|---------------------|----------|------------------------------------|------|
| ITEM                | PART NO. | DESCRIPTION                        | QTY. |
| 1                   | P701200  | Servo Motor/Encoder Assembly       | 1    |
| 3                   | P700417  | Pulley (16L050)                    | 1    |
| 4                   | P700107  | Main Motor Mount Bracket           | 1    |
| 5                   | P840060  | 1/4-28 X 1/2 Hex Socket Cap Screws | 4    |
| 6                   | P840580  | 1/4" Lock Washer                   | 4    |

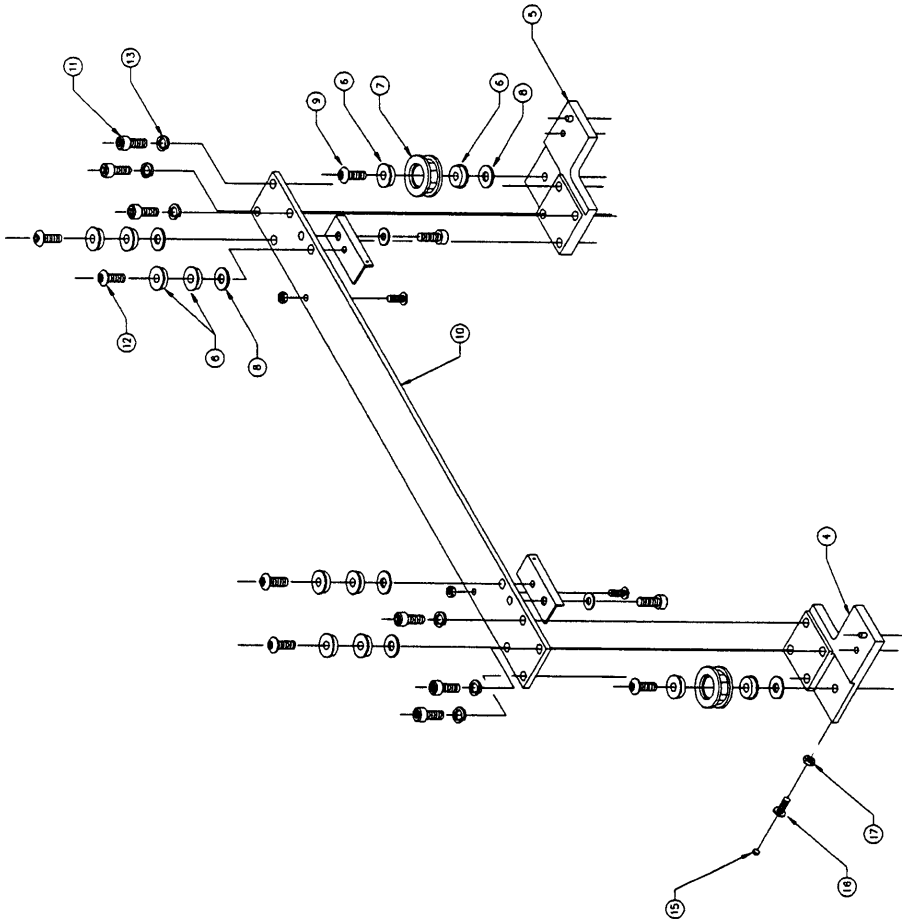
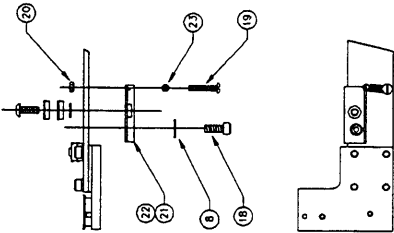
PARTS  
IDENTIFICATION

# PANTOGRAPH ARM ASSEMBLY



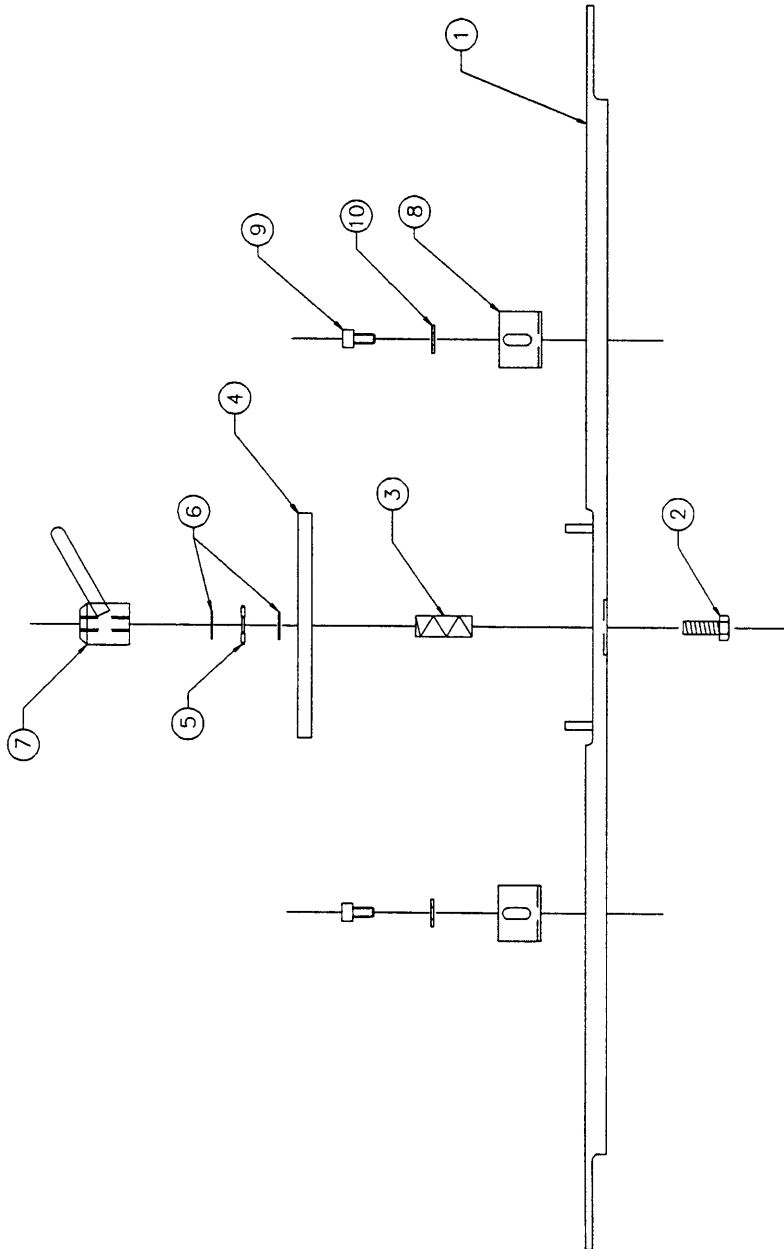
| PANTOGRAPH ARM ASSEMBLY |          |  |      |
|-------------------------|----------|--|------|
| ITEM                    | PART NO. | DESCRIPTION                            | QTY. |
| 1                       | P700628  | Pantograph Arm Extrusion               | 1    |
| 2                       | P700626  | X-Pantograph Bearing Guide Rail        | 1    |
| 3                       | P840112  | #8-32 X 3/8 Flat Head Hex Socket       | 7    |
| 14                      | P700901  | Pantograph Arm Decal                   | 1    |
| 15                      | P413018  | Magnet 3/16 diameter x 1/16 Rare Earth | 1    |

PARTS  
IDENTIFICATION



| PANTOGRAPH ARM ASSEMBLY |          |   |      |
|-------------------------|----------|---|------|
| ITEM                    | PART NO. | DESCRIPTION                                 | QTY. |
| 4                       | P700624  | Left Pantograph Hoop Arm Carrier            | 1    |
| 5                       | P700625  | Right Pantograph Hoop Arm Carrier           | 1    |
| 6                       | P700462  | Flanged Bearing                             | 12   |
| 7                       | P700410  | Idler Pulley (40MXL025)                     | 2    |
| 8                       | P840556  | 1/4" Shim Washer                            | 8    |
| 9                       | P840136  | 1/4-20 X 5/8 Socket Button Head Screw       | 2    |
| 10                      | P700623  | Pantograph Carrier Bearing                  | 1    |
| 11                      | P840051  | 1/4-20 X 5/8 Socket Head Cap Screw          | 6    |
| 12                      | P840069  | 1/4-20 X 1 Socket Head Button Screw         | 4    |
| 13                      | P840580  | 1/4" Split Lock Washer                      | 6    |
| 15                      | P413018  | 3/16 Dia. X 1/16 Rare Earth Magnet          | 2    |
| 16                      | P840407  | 4-40 X 1/2 Slot Pan Head Screw              | 1    |
| 17                      | P840716  | 4-40 Small Pattern Hex Nut                  | 1    |
| 18                      | P840049  | 1/4-20 X 3/8 Hex Socket Head Cap Screw      | 2    |
| 19                      | P840126  | 10-32 X 3/4 Phillips Pan Head Screw         | 2    |
| 20                      | P840740  | 10-32 Hex Nut                               | 2    |
| 21                      | P700119  | Left Pantograph Bearing Adjustment Bracket  | 1    |
| 22                      | P700120  | Right Pantograph Bearing Adjustment Bracket | 1    |
| 23                      | P700232  | Spring Extension Pantograph                 | 2    |

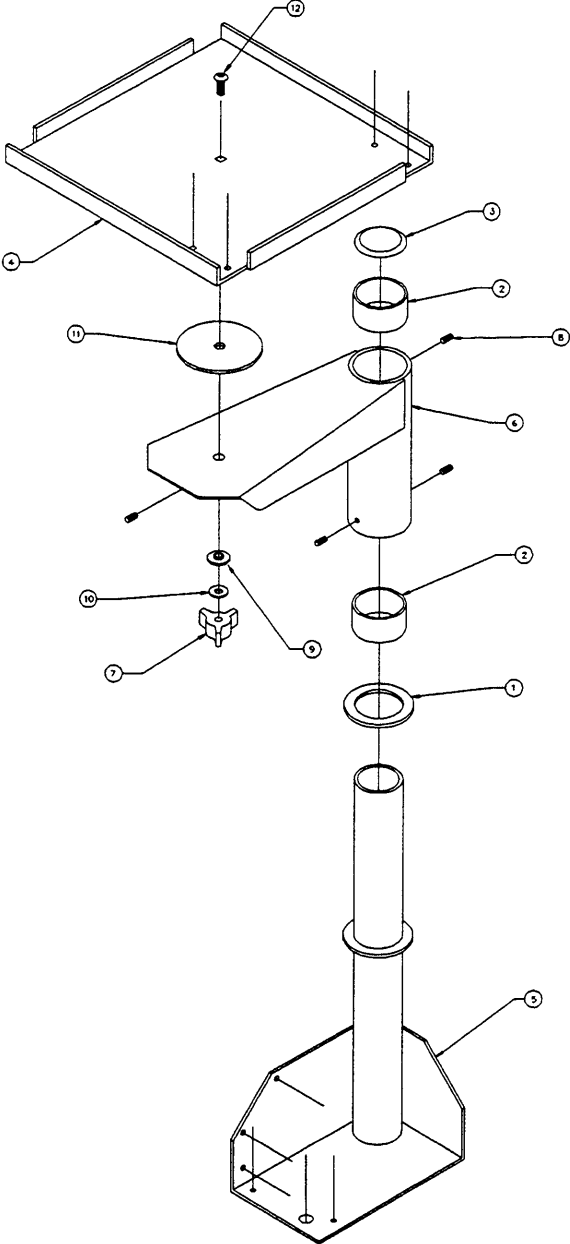
# MEISTERGRAM HOOP ADAPTER ASSEMBLY



| MEISTERGRAM HOOP ADAPTER ASSEMBLY |          |                                   |      |
|-----------------------------------|----------|-----------------------------------|------|
| ITEM                              | PART NO. | DESCRIPTION                       | QTY. |
| 1                                 | P700111  | Hoop Bracket                      | 1    |
| 2                                 | P840615  | 1/4-20 X 1-1/4 Hex Head Bolt      | 1    |
| 3                                 | P810053  | Hoop Clamp Spring                 | 1    |
| 4                                 | P700206  | Hoop Mount Clamp Plate            | 1    |
| 5                                 | P700463  | Pantograph Thrust Bearing         | 1    |
| 6                                 | P700464  | Thrust Bearing Washer             | 2    |
| 7                                 | P700634  | Clamping Knob/Lever Assembly      | 1    |
| 8                                 | P700117  | Cap Frame/Pantograph Bracket      | 2    |
| 9                                 | P840073  | #10-32 X 3/8 Hex Socket Cap Screw | 2    |
| 10                                | P840530  | #10 Flat Washer                   | 2    |

PARTS  
IDENTIFICATION

# CRT ARM ASSEMBLY

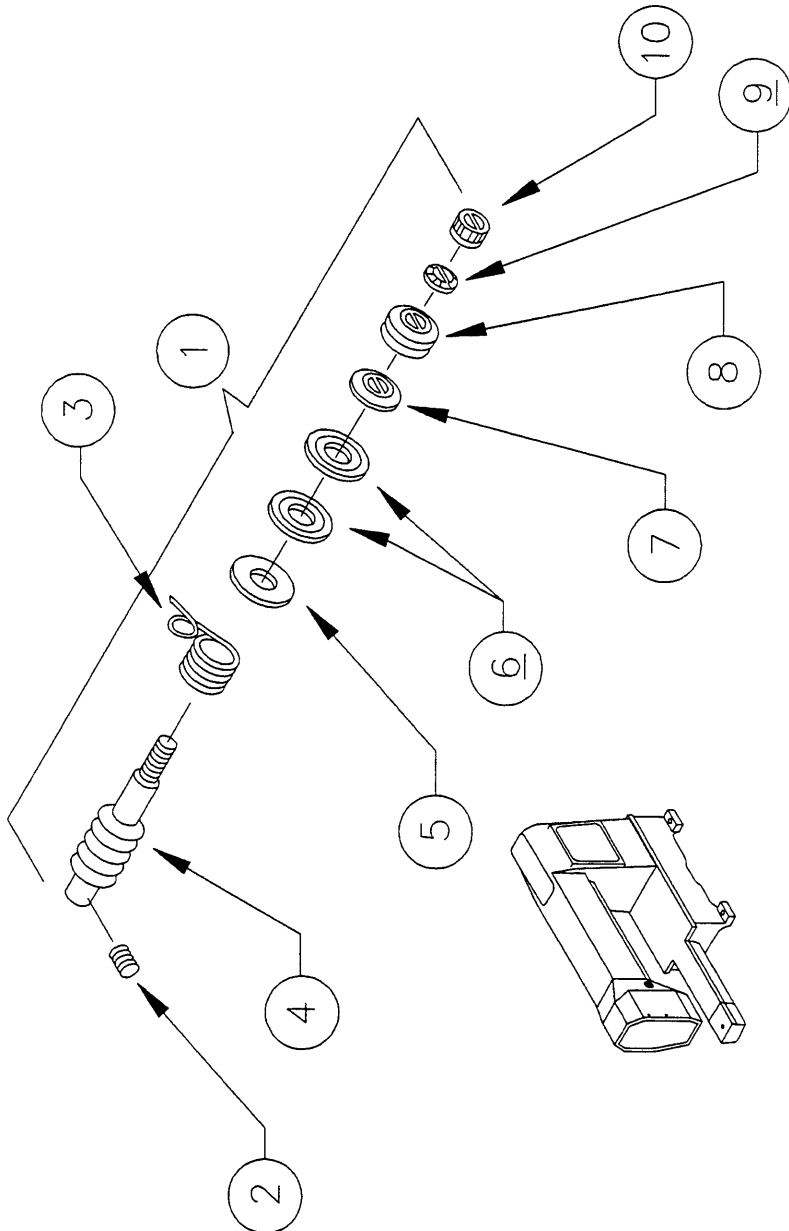




| CRT ARM ASSEMBLY |          |  |      |
|------------------|----------|--|------|
| ITEM             | PART NO. | DESCRIPTION                                  | QTY. |
| 1                | P670112  | 1.79 X 2.44 X 0.62 Washer Nylon              | 1    |
| 2                | P670121  | 1.75 X 1.938 X 1 Bushing                     | 2    |
| 3                | P700026  | Decorative Cap                               | 1    |
| 4                | P700014  | Monitor Tray                                 | 1    |
| 5                | P700522  | CRT Support Tube And Bracket                 | 1    |
| 6                | P700523  | CRT Arm                                      | 1    |
| 7                | P820706  | 1/4-20 Decorative Nut                        | 1    |
| 8                | P840061  | #10-32 X 1/4 Oval Point Hex Socket Set Screw | 4    |
| 9                | P700470  | Monitor Swivel Tray Bushing                  | 1    |
| 10               | P840501  | 1/4 Spring Tension Washer                    | 1    |
| 11               | P840557  | CRT Tray Nylon Washer                        | 1    |
| 12               | P840611  | 1/4-20 X 1-1/2 Rod Head Short Neck           | 1    |

PARTS  
IDENTIFICATION

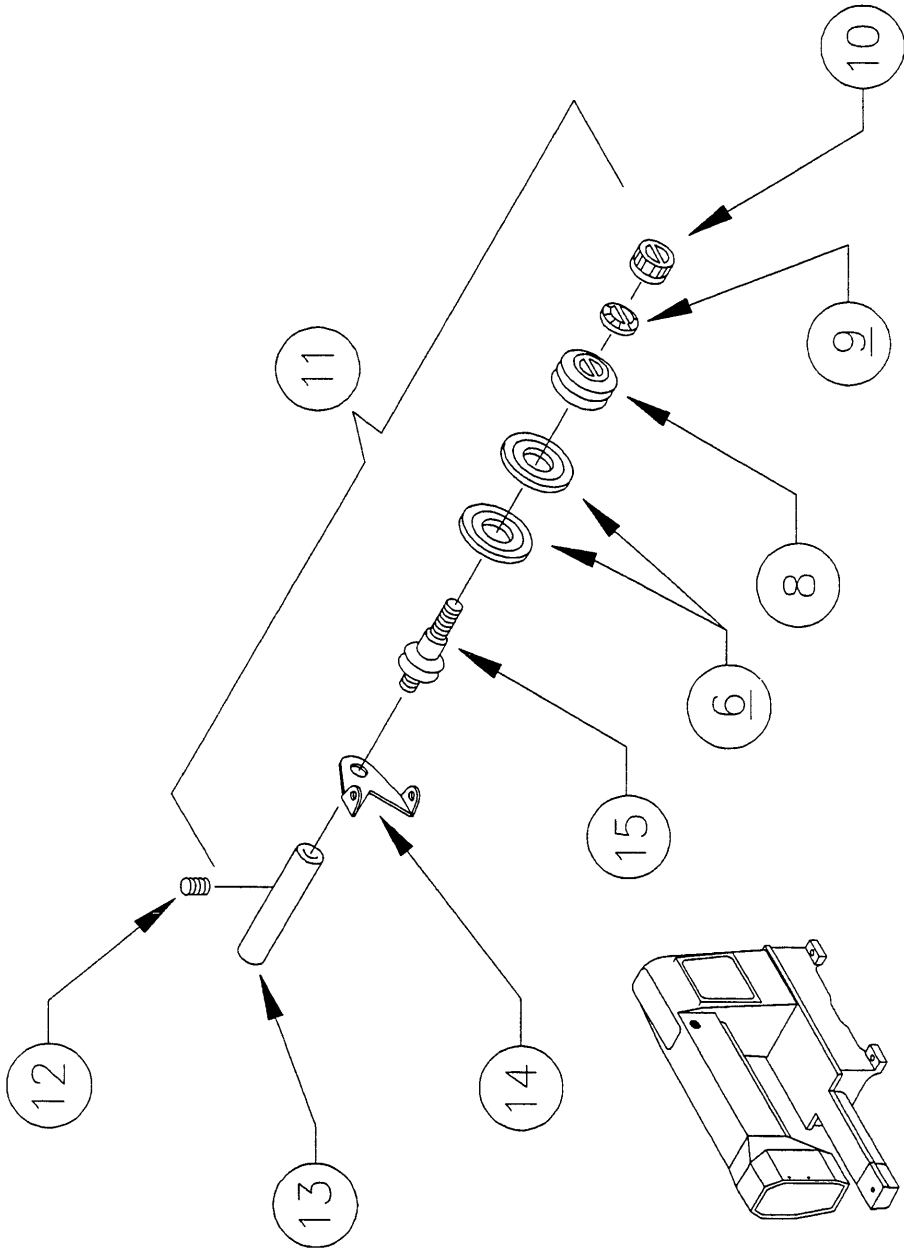
# TENSION ASSEMBLY



| TENSION ASSEMBLY |          |                               |      |
|------------------|----------|-------------------------------|------|
| ITEM             | PART NO. | DESCRIPTION                   | QTY. |
| 1                | P661052  | Tension Assembly Complete     | 1    |
| 2                | P661061  | M4 X 8 X 0.7 Socket Set Screw | 1    |
| 3                | P661054  | Check Spring (Take-Up Spring) | 1    |
| 4                | P661053  | Tension Stud                  | 1    |
| 5                | P661055  | Insulating Disc               | 1    |
| 6                | P661034  | Tension Disc                  | 2    |
| 7                | P661057  | Tension Release Disc          | 1    |
| 8                | P661035  | Tension Spring                | 1    |
| 9                | P661036  | Tension Nut Washer            | 1    |
| 10               | P661037  | Tension Nut                   | 1    |

PARTS  
IDENTIFICATION

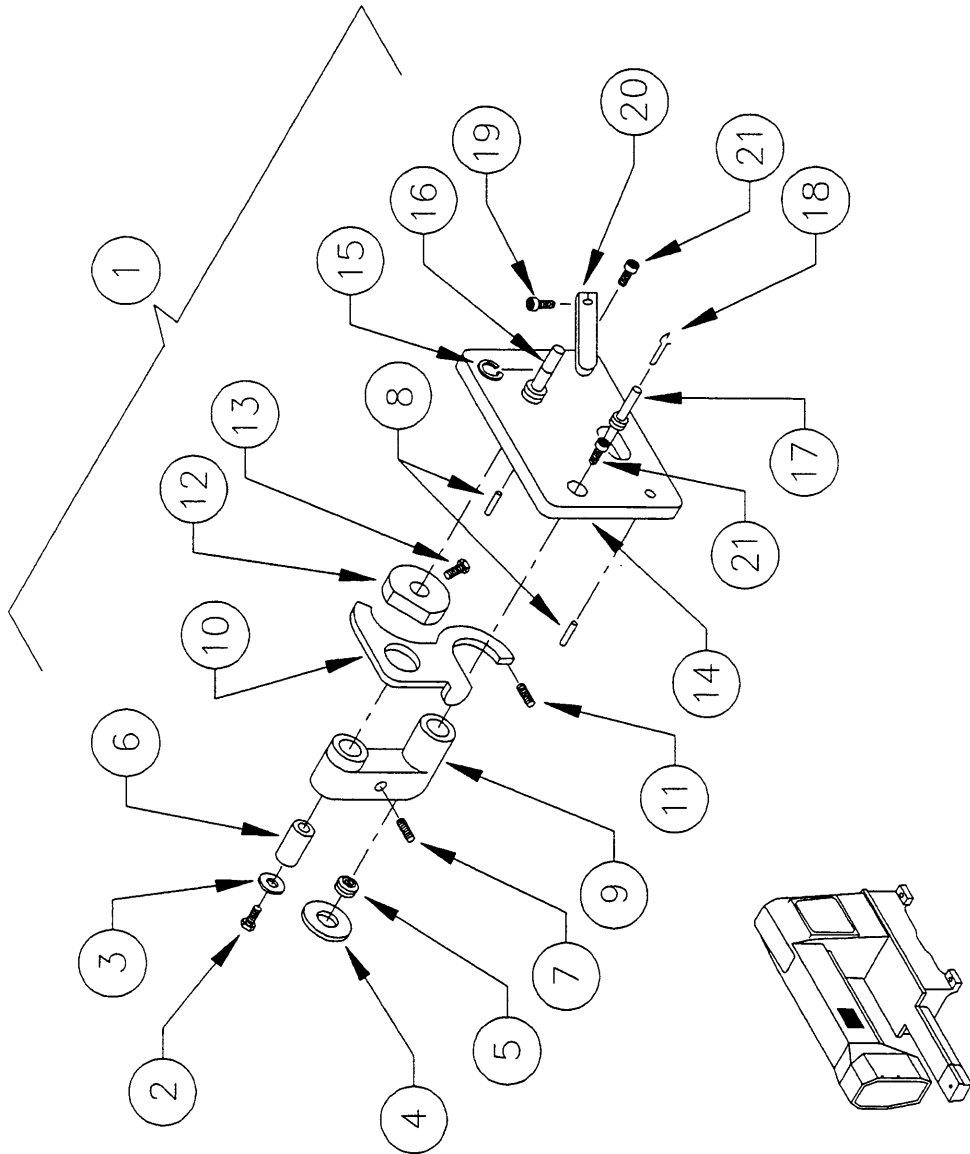
# BOBBIN WINDER TENSION ASSEMBLY



| <b>BOBBIN WINDER TENSION ASSEMBLY</b> |                 |                                  |             |
|---------------------------------------|-----------------|----------------------------------|-------------|
| <b>ITEM</b>                           | <b>PART NO.</b> | <b>DESCRIPTION</b>               | <b>QTY.</b> |
| 6                                     | P661034         | Tension Disc                     | 2           |
| 8                                     | P661035         | Tension Spring                   | 1           |
| 9                                     | P661036         | Tension Nut Washer               | 1           |
| 10                                    | P661037         | Tension Nut                      | 1           |
| 11                                    | P661030         | Complete Winder Tension Assembly | 1           |
| 12                                    | P661038         | M6 X 6 X 0.8 Socket Set Screw    | 1           |
| 13                                    | P661031         | Tension Post                     | 1           |
| 14                                    | P661032         | Winder Thread Guide              | 1           |
| 15                                    | P661033         | Winder Tension Stud              | 1           |

PARTS  
IDENTIFICATION

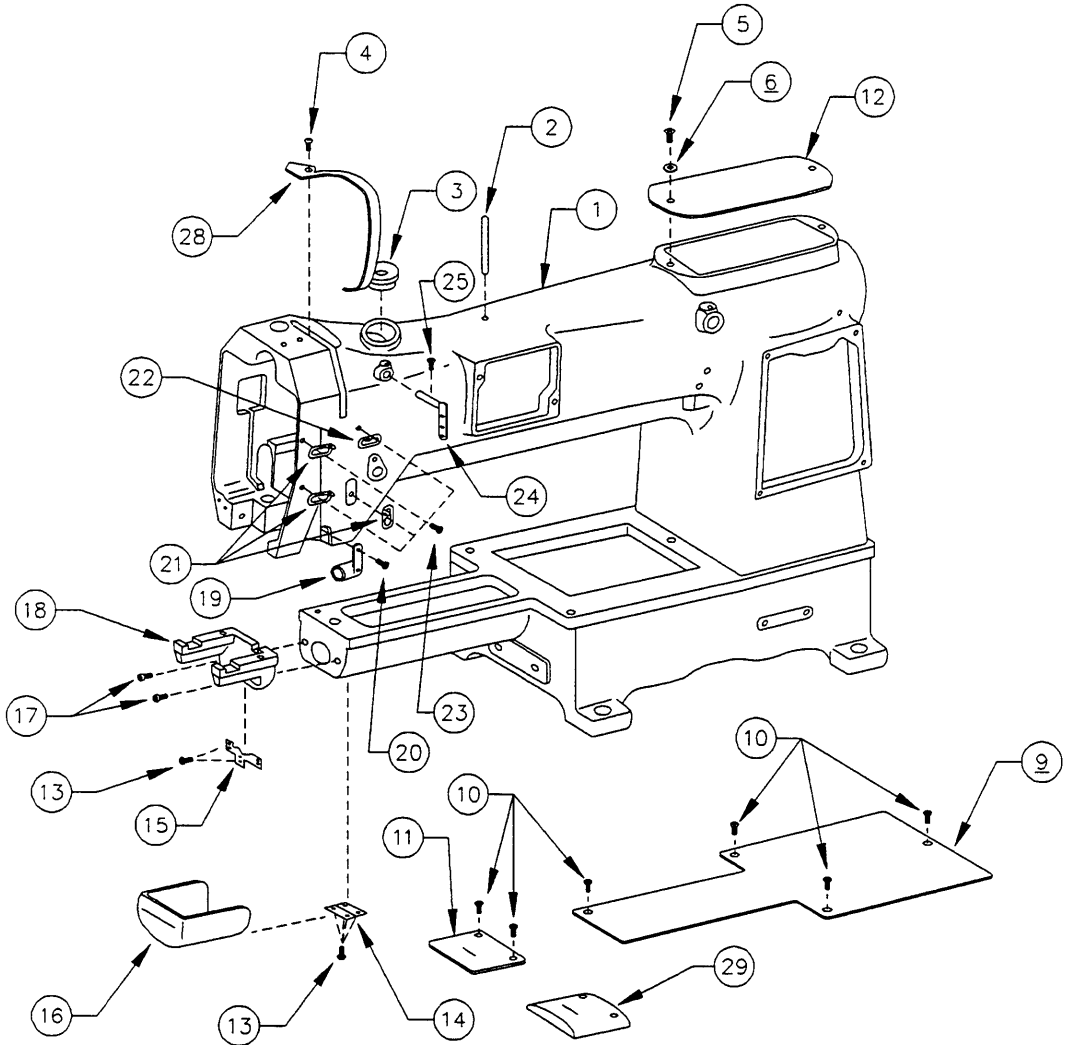
# BOBBIN WINDER ASSEMBLY



| BOBBIN WINDER ASSEMBLY |          |                                |      |
|------------------------|----------|--------------------------------|------|
| ITEM                   | PART NO. | DESCRIPTION                    | QTY. |
| 1                      | P661009  | XLC Bobbin Winder              | 1    |
| 2                      | P661023  | M4 X 20 X 0.7 Socket Cap Screw | 1    |
| 3                      | P661025  | M4 Flat Washer                 | 1    |
| 4                      | P661028  | O-ring 15 ID x 25 OD           | 1    |
| 5                      | P661017  | Winder Wheel                   | 1    |
| 6                      | P661012  | Pivot Link Bushing             | 1    |
| 7                      | P661013  | Bobbin Winder Spring           | 1    |
| 8                      | P661026  | Roll Pin 3.5 Dia. X 16         | 2    |
| 9                      | P661011  | Bobbin Winder Pivot Link       | 1    |
| 10                     | P661014  | Winder Trip Lever              | 1    |
| 11                     | P661015  | Winder Trip Spring             | 1    |
| 12                     | P661021  | Winder Trip Lever Cam          | 1    |
| 13                     | P661022  | Winder Cam Stop Screw          | 1    |
| 14                     | P661010  | Bobbin Winder Mounting Plate   | 1    |
| 15                     | P661027  | C-Clip                         | 1    |
| 16                     | P661020  | Winder Trip Arm Shaft          | 1    |
| 17                     | P661016  | Bobbin Winder Shaft            | 1    |
| 18                     | P661018  | Bobbin Key                     | 1    |
| 19                     | P661024  | M4 X 12 X 0.7 Socket Cap Screw | 1    |
| 20                     | P661019  | Winder Trip Arm                | 1    |
| 21                     | P661029  | M4 X 10 X 0.7 Socket Cap Screw | 2    |

PARTS  
IDENTIFICATION

# SEWING HEAD PARTS - VIEW 1



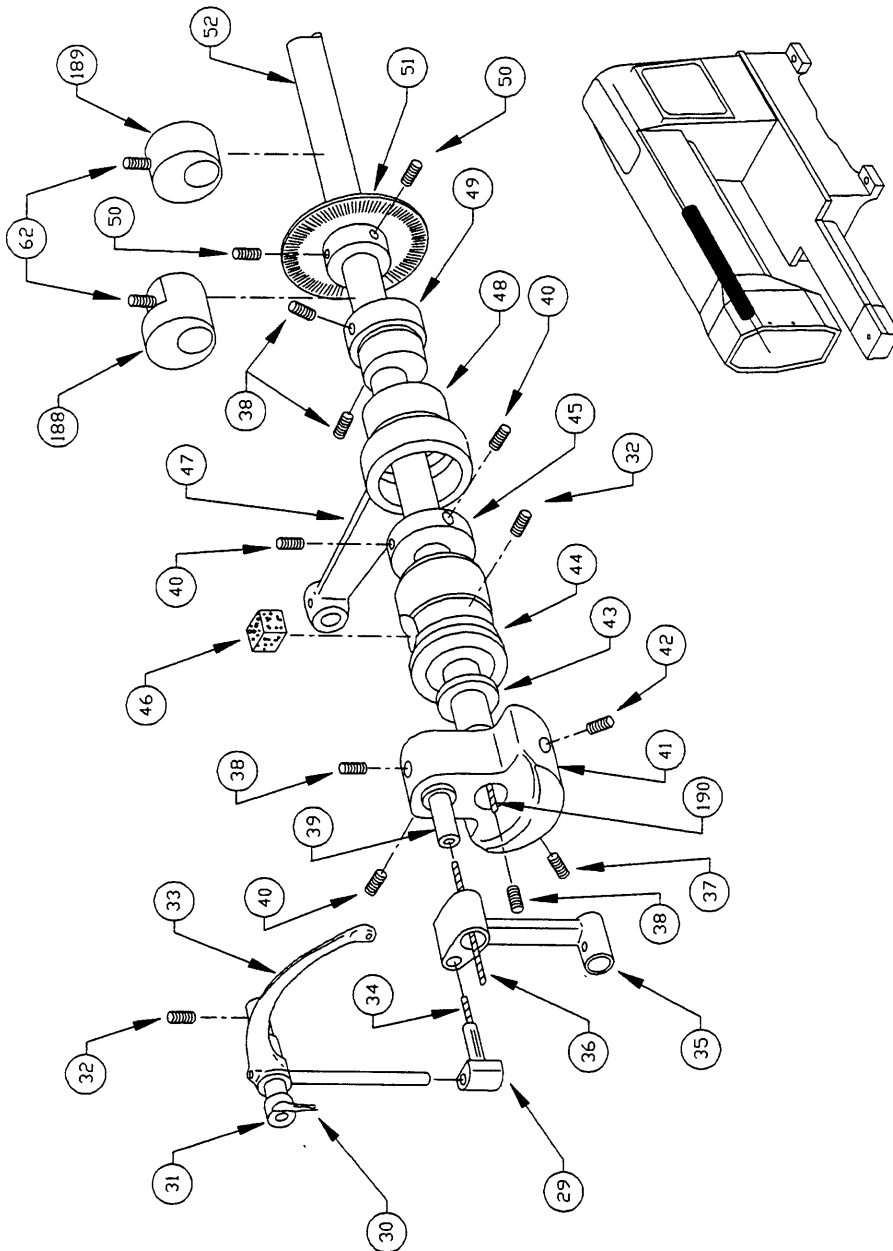


| SEWING HEAD PARTS - VIEW 1 |          |  |     |
|----------------------------|----------|--|-----|
| ITEM                       | PART NO. | DESCRIPTION                            | QTY |
| 1                          | ZP661000 | Cylinder Arm Head                      | 1   |
| 2                          | P661039  | Top Thread Guide                       | 1   |
| 3                          | P661074  | Oil Plug                               | 1   |
| 4                          | P661073  | M4 X 6 X 0.7 Phillips Truss Head Screw | 1   |
| 5                          | 0661076  | Top Cover Plate Screw                  | 1   |
| 6                          | P661077  | Wavey Washer 6.4 ID X 11 OD            | 1   |
| 9                          | P661082  | Work Plate                             | 1   |
| 10                         | P661081  | 11/64-40 X 9 Slot Oval                 | 6   |
| 11                         | P661080  | Throat Plate                           | 1   |
| 12                         | P661075  | Top Cover Plate                        | 1   |
| 13                         | P661086  | M3 X 5 X 0.5 Phillips Pan Head Screw   | 6   |
| 14                         | P661085  | Hook Cover Hinge                       | 1   |
| 15                         | P661087  | Hook Cover Hatch                       | 1   |
| 16                         | P661084  | Hook Cover                             | 1   |
| 17                         | P661008  | M5 X 14 X 0.8 Socket Cap Screw         | 2   |
| 18                         | P661007* | Needle Plate Bracket                   | 1   |
| 19                         | P413865  | Spring Loaded Thread Guide             | 1   |
| 20                         | P661069  | 9/64-40 X 6 Slot Flat Head Screw       | 1   |
| 21                         | P661043  | Front Thread Guide                     | 3   |
| 22                         | P661044  | Rear Thread Guide                      | 1   |
| 23                         | P661045  | 9/64-40 X 8 Slot Pan Head Screw        | 4   |
| 24                         | P661040  | 3-Hole Thread Guide                    | 1   |
| 25                         | P661041  | M4 X 4 X 0.7 Socket Set Screw          | 1   |
| 28                         | P661072  | Take-Up Lever Guard                    | 1   |
| 29                         | P661071  | Raised Throat Plate                    | 1   |

PARTS  
IDENTIFICATION

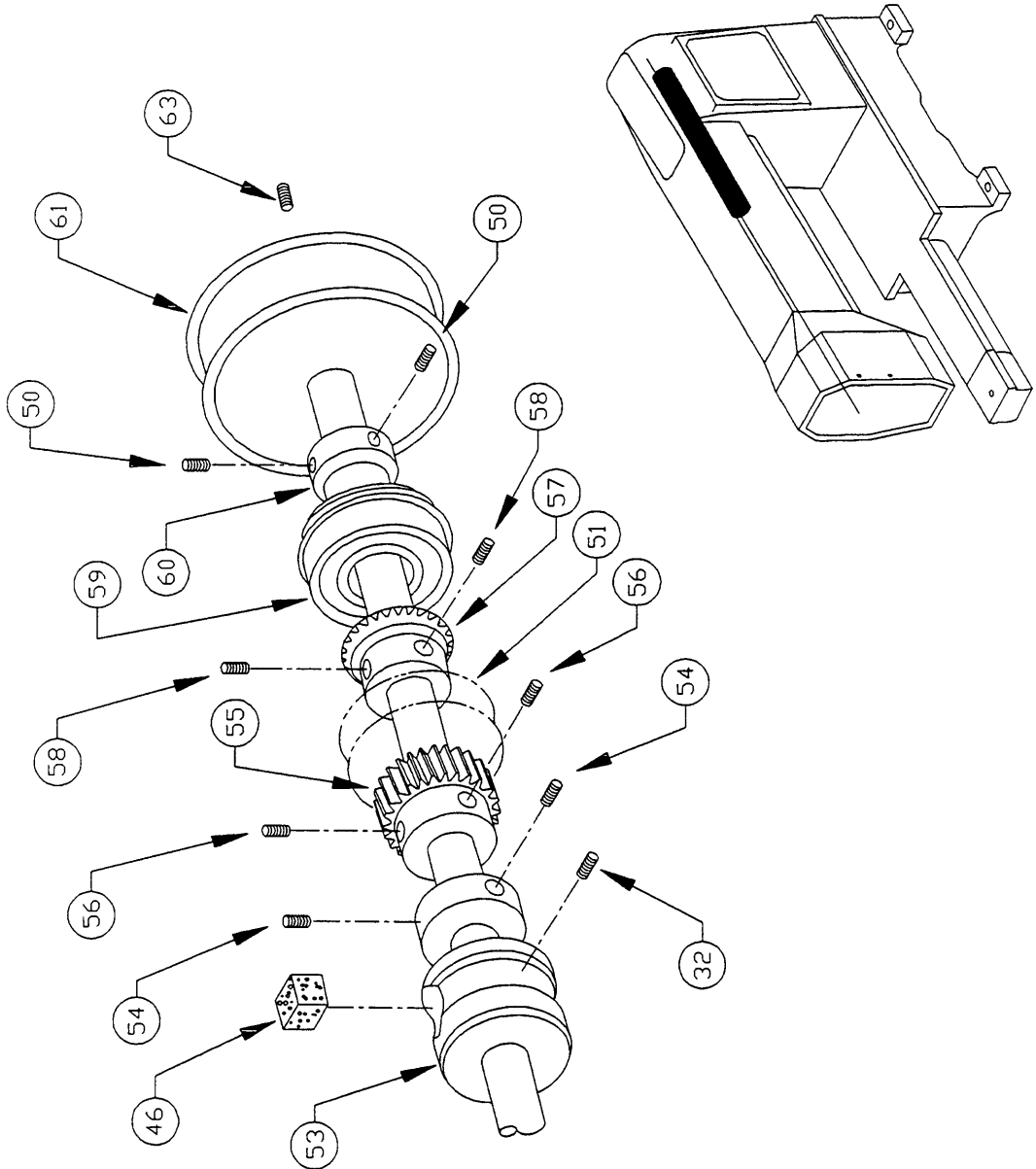
\*This part has changed, ;you will need to order 2 pieces to replace it. The new part numbers are P661258 Hook Supporting Plate (Position Finger) and P661050 Set Screw for Hook Supporting Plate.

# SEWING HEAD PARTS - VIEW 2A



| SEWING HEAD PARTS - VIEW 2A |          |                                 |      |
|-----------------------------|----------|---------------------------------|------|
| ITEM                        | PART NO. | DESCRIPTION                     | QTY. |
| 29                          | P413559  | Take-Up Lever Driver Stud       | 1    |
| 30                          | P661095  | 3.5 Diameter X 45 Long Oil Wick | 1    |
| 31                          | P413555  | Take-Up Lever Hinge Stud        | 1    |
| 32                          | P661094  | M6 X 10 X 1.0 Socket Set Screw  | 3    |
| 33                          | P413650  | Take-Up Lever                   | 1    |
| 34                          | P661097  | 3.5 Diameter X 25 Long Oil Wick | 1    |
| 35                          | P413274  | Needle Bar Connecting Link      | 1    |
| 36                          | P661099  | 3.5 Diameter X 55 Long Oil Wick | 1    |
| 37                          | P661104  | 9/32-28 X 11 Screw              | 1    |
| 38                          | P661102  | 15/64-28 X 4.5 Slot Set Screw   | 4    |
| 39                          | P413269  | Needle Bar Connecting Link Stud | 1    |
| 40                          | P661101  | 15/64-28 X 7 Slot Set Screw     | 3    |
| 41                          | P661103  | Needle Bar Crank                | 1    |
| 42                          | P661105  | 15/64-28 X 13 Slot Set Screw    | 1    |
| 43                          | P661106  | Crank Friction Washer           | 1    |
| 44                          | P413310  | Front Arm Shaft Bushing         | 1    |
| 45                          | P661113  | Front Collar                    | 1    |
| 46                          | P661112  | Oil Pad                         | 2    |
| 47                          | P413472  | Eccentric/Cam                   | 1    |
| 48                          | P413473  | Needle Bearing                  | 1    |
| 49                          | P413471  | Lifting Eccentric               | 1    |
| 50                          | P0661038 | M6 X 6 X 0.8 Socket Set Screw   | 4    |
| 51                          | P0661119 | Winder Friction Disc            | 1    |
| 52                          | P661107  | Arm Shaft                       | 2    |
| 62                          | P661134  | M6 X 12 X 1.0 Socket Set Screw  | 6    |
| 188                         | P661268  | Balance Weight I                | 1    |
| 189                         | P661267  | Balance Weight II               | 1    |
| 190                         | P661108  | Oil Wick                        | 1    |

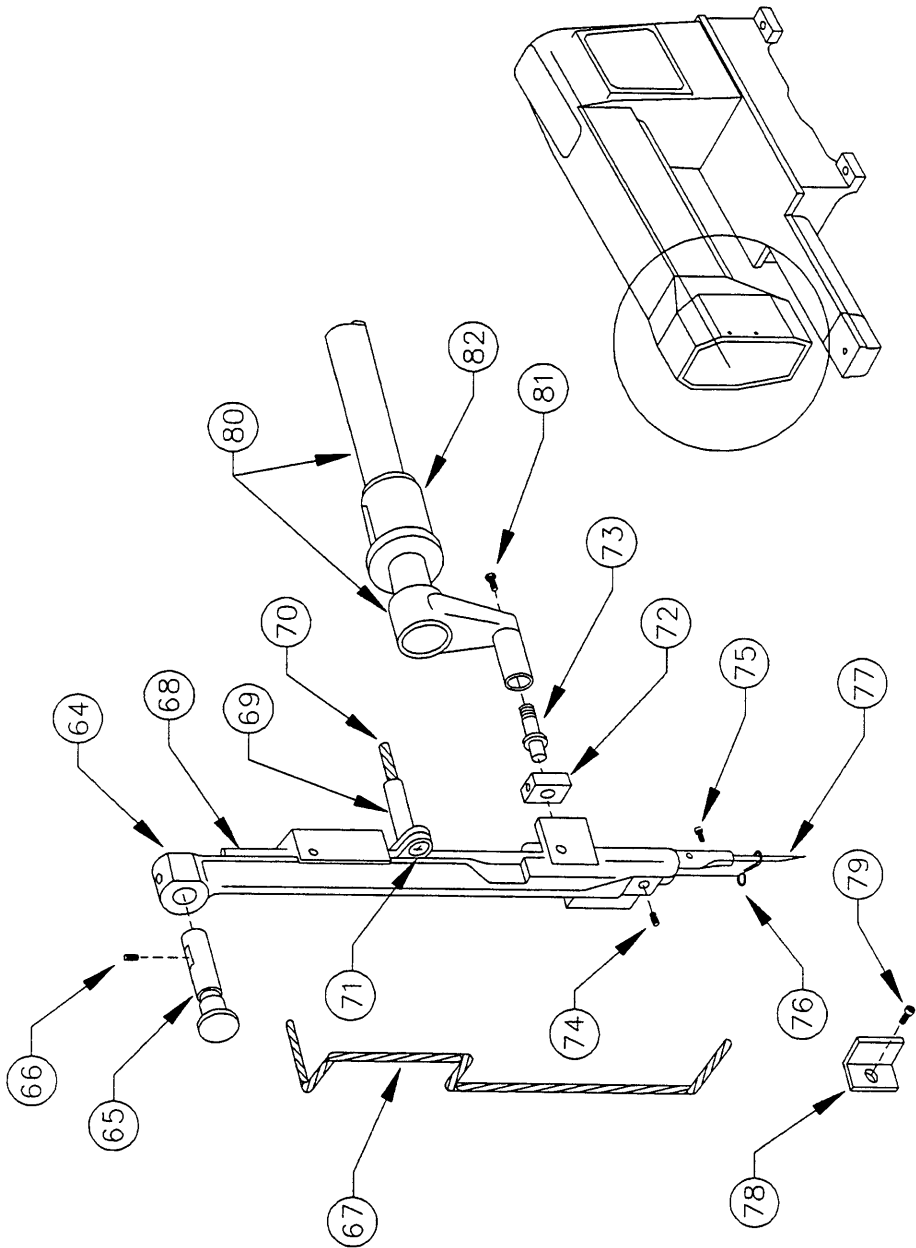
# SEWING HEAD PARTS - VIEW 2B



| SEWING HEAD PARTS - VIEW 2B |          |                                |      |
|-----------------------------|----------|--------------------------------|------|
| ITEM                        | PART NO. | DESCRIPTION                    | QTY. |
| 32                          | P661094  | M6 X 10 X 1.0 Socket Set Screw | 3    |
| 46                          | P661112  | Oil Pad                        | 2    |
| 50                          | P661038  | M6 X 6 X 0.8 Socket Set Screw  | 4    |
| 51                          | ZP701120 | NPS Sender Assembly            | 1    |
| 53                          | P413602  | Middle Arm Shaft Bushing       | 1    |
| 54                          | P661125  | M6 X 8 X 1.0 Socket Set Screw  | 2    |
| 55                          | P413751  | Feed Collar                    | 1    |
| 56                          | P413609  | 1/4-40 X 6 Slot Set Screw      | 2    |
| 57                          | P661128  | Spiral Arm Shaft Gear          | 1    |
| 58                          | P413609  | 1/4-40 X 6 Slot Set Screw      | 2    |
| 59                          | P661130  | Rear Arm Shaft Bearing         | 1    |
| 60                          | P661131  | Arm Shaft Bearing Collar       | 1    |
| 61                          | P661133  | Balance Wheel                  | 5    |
| 63                          | P661135  | M6 X 12 X 1.0 Socket Set Screw | 1    |

PARTS  
IDENTIFICATION

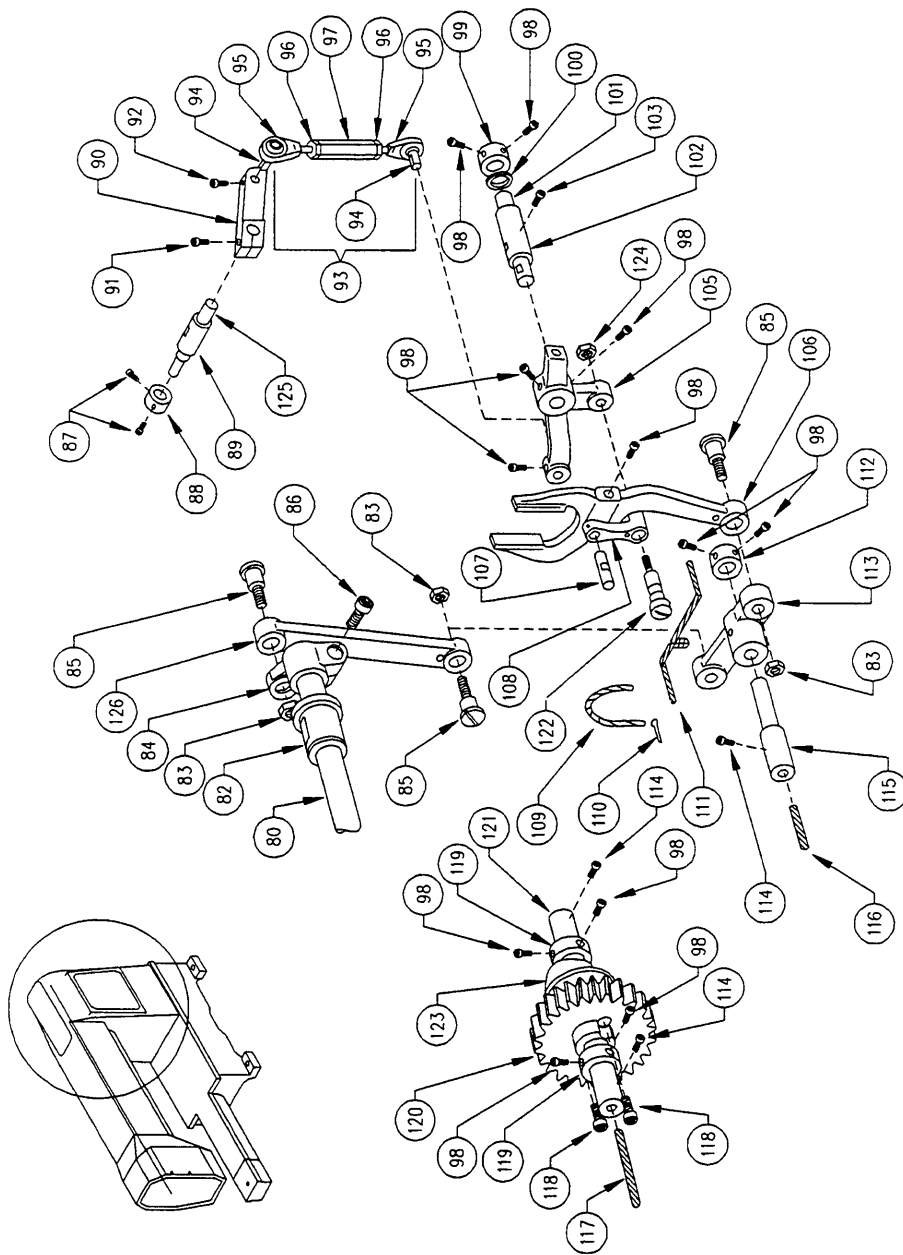
# SEWING HEAD PARTS - VIEW 3A



| SEWING HEAD PARTS - VIEW 3A |             |                                   |      |
|-----------------------------|-------------|-----------------------------------|------|
| ITEM                        | PART NO.    | DESCRIPTION                       | QTY. |
| 64                          | P642510     | Needle Bar Frame                  | 1    |
| 65                          | P413527     | Hinge Pin                         | 1    |
| 66                          | P661094     | M6 X 10 X 1.0 Socket Set Screw    | 1    |
| 67                          | P661139     | 3.5 Diameter X 270 Long Oil Wick  | 1    |
| 68                          | P661144     | Needle Bar                        | 1    |
| 69                          | P413278     | Needle Bar Connecting Stud        | 1    |
| 70                          | P661147     | 3.5 Diameter X 35 Long Oil Wick   | 1    |
| 71                          | P413279     | Screw                             | 1    |
| 72                          | P413330     | Needle Bar Frame Slide Block      | 1    |
| 73                          | P413328     | Needle Bar Frame Block Stud       | 1    |
| 74                          | P661041     | M4 X 4 X 0.7 Socket Set Screw     | 1    |
| 75                          | P413535     | Needle Screw                      | 1    |
| 76                          | P413860     | Lower Arm Thread Guide            | 1    |
| 77                          | SEE CATALOG | Needle                            | 1    |
| 78                          | P413308     | Needle Bar Frame Position Bracket | 1    |
| 79                          | P661141     | M4 X 6 X 0.7 Socket Cap Screw     | 1    |
| 80                          | P661150     | Needle Bar Rock Frame Shaft       | 1    |
| 81                          | P413329     | Set Screw                         | 1    |
| 82                          | P661154     | Rock Frame Shaft Bushing          | 2    |

PARTS  
IDENTIFICATION

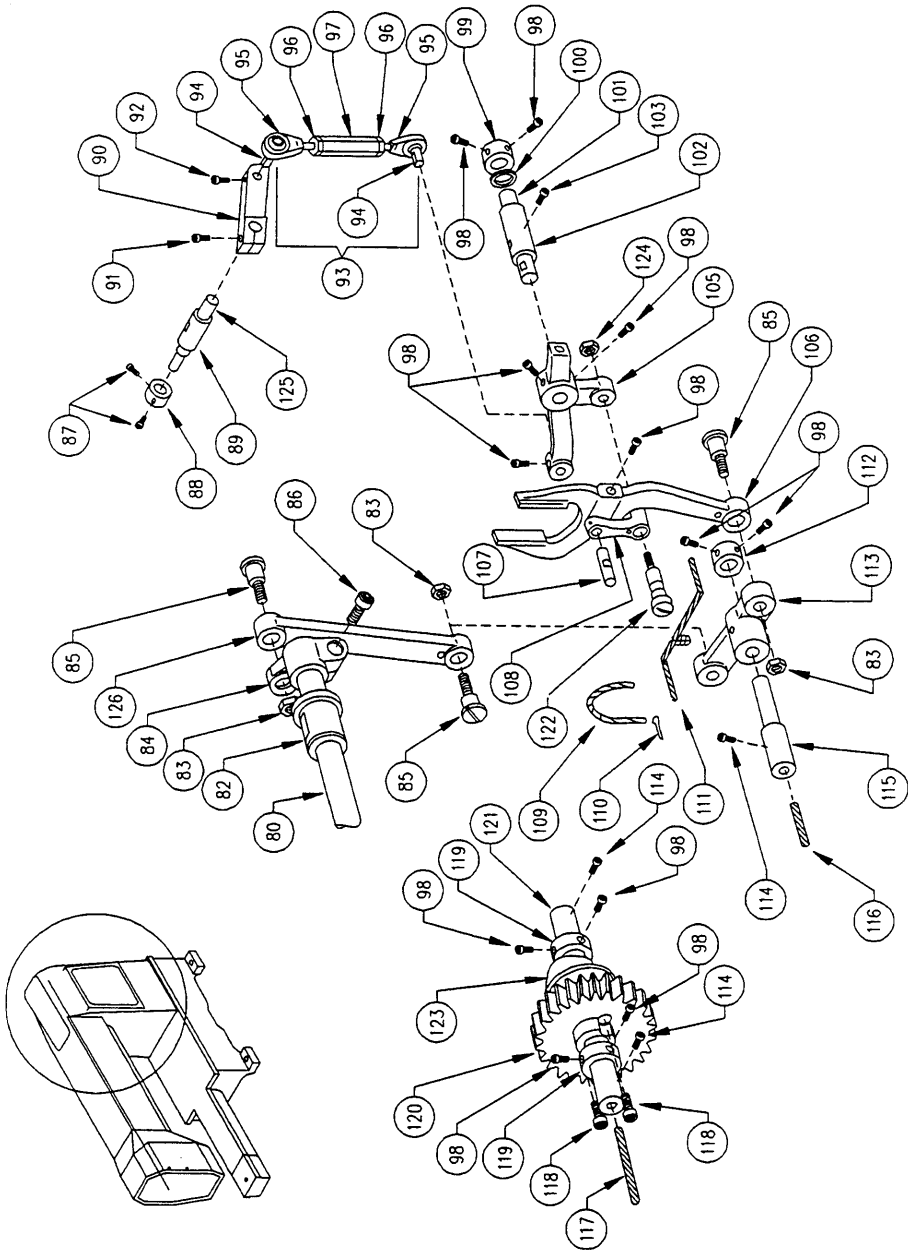
# SEWING HEAD PARTS - VIEW 3B





| SEWING HEAD PARTS - VIEW 3B |          |                                     |      |
|-----------------------------|----------|-------------------------------------|------|
| ITEM                        | PART NO. | DESCRIPTION                         | QTY. |
| 80                          | P661150  | Needle Bar Rock Frame Shaft         | 1    |
| 82                          | P661154  | Needle Bar Rock Frame Shaft Bushing | 2    |
| 83                          | P413247  | Hinge Nut                           | 2    |
| 84                          | P661155  | Needle Bar Shaft Crank              | 1    |
| 85                          | P413660  | Hinge Screw                         | 3    |
| 86                          | P661156  | M6 X 20 X 1.0 Socket Cap Screw      | 1    |
| 87                          | P661195  | Collar Set Screw                    | 2    |
| 88                          | P661194  | Coupling Shaft Collar               | 1    |
| 89                          | P413735  | Coupling Drive Bushing              | 1    |
| 90                          | P661190  | Linking Crank                       | 1    |
| 91                          | P661024  | M4 X 12 X 0.7 Socket Cap Screw      | 1    |
| 92                          | P661041  | M4 X 4 X 0.7 Socket Set Screw       | 1    |
| 93                          | P661184  | Stitch Width Rod Assembly           | 1    |
| 94                          | P413776  | Bearing Pin                         | 2    |
| 95                          | P413775  | Bearing Pin Connecting Bracket      | 2    |
| 96                          | P413206  | Lock Nut                            | 2    |
| 97                          | P661185  | Stitch Width Arm                    | 1    |
| 98                          | P661163  | M4 X 5 X 0.8 Socket Set Screw       | 12   |
| 99                          | P661182  | Collar                              | 1    |
| 100                         | P661181  | Wavey Washer                        | 1    |
| 101                         | P413763  | Support Shaft                       | 1    |
| 102                         | P413764  | Support Shaft Bushing               | 1    |
| 103                         | P551984  | M6 X 10 X 1.0 Socket Set Screw      | 1    |
| 105                         | P661175  | Stitch Width Regulating Arm         | 1    |
| 106                         | P413758  | Stitch Width Cam Follower           | 1    |
| 107                         | P413760  | Shaft                               | 1    |
| 108                         | P413759  | Pivot Lock                          | 1    |
| 109                         | P661171  | 3.5 Diameter X 75 Long Oil Wick     | 1    |
| 110                         | P413585  | Cotter Pin                          | 1    |
| 111                         | P661167  | 3.5 Diameter X 200 Long Oil Wick    | 1    |
| 112                         | P661162  | Thrust Collar                       | 1    |
| 113                         | P413782  | Pivot Connecting Bracket            | 1    |
| 114                         | P661094  | M6 X 10 X 1.0 Socket Set Screw      | 3    |

PARTS  
IDENTIFICATION

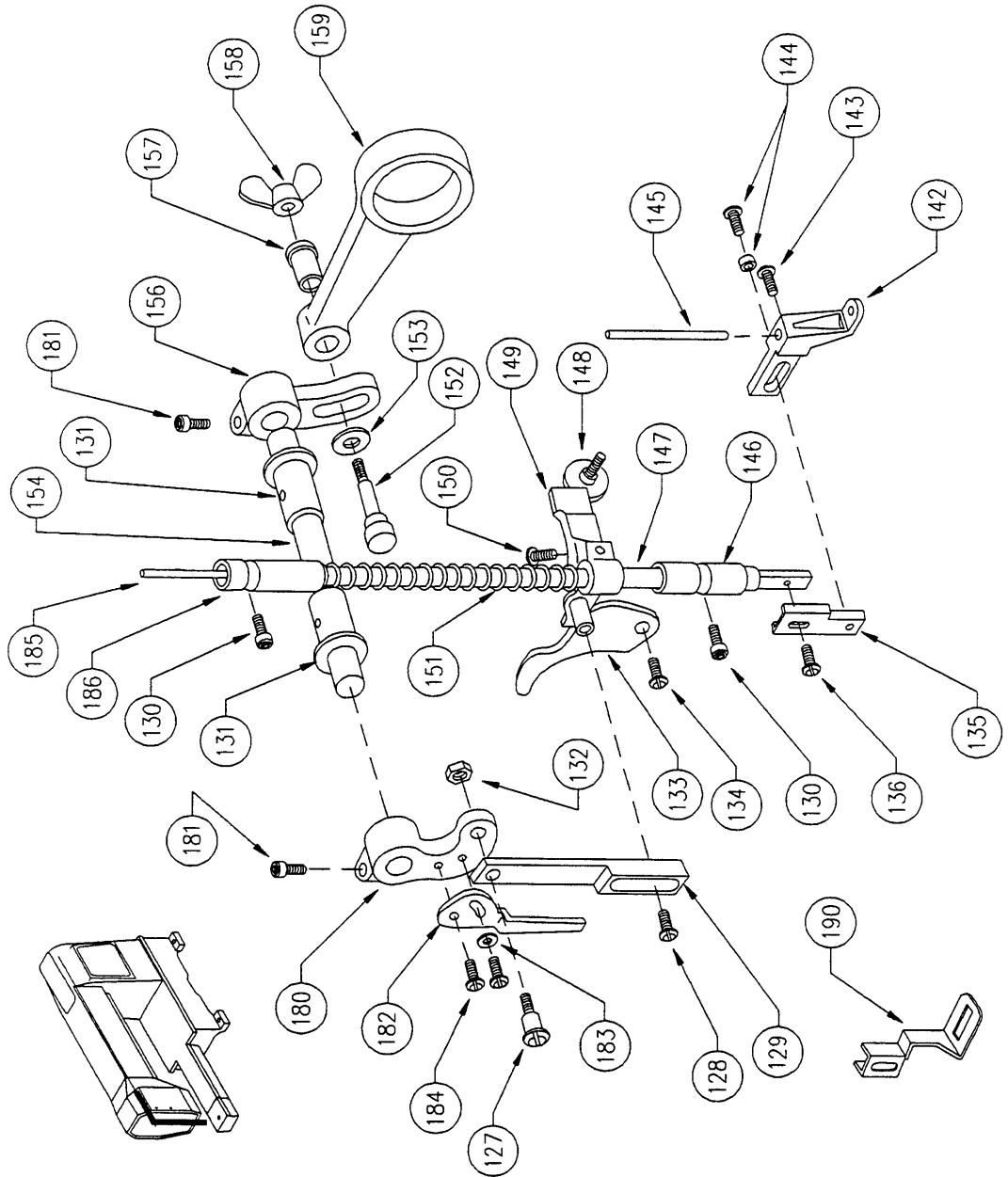


| SEWING HEAD PARTS - VIEW 3B |          |                                       |      |
|-----------------------------|----------|---------------------------------------|------|
| ITEM                        | PART NO. | DESCRIPTION                           | QTY. |
| 115                         | P413783  | Pivot Shaft                           | 1    |
| 116                         | P661095  | 3.5 Diameter X 45 Long Oil Wick       | 1    |
| 117                         | P661201  | 3.5 Diameter X 100 Long Oil Wick      | 1    |
| 118                         | P661008  | M5 X 14 X 0.8 Socket Cap Screw        | 2    |
| 119                         | P661202  | Shaft Collar                          | 2    |
| 120                         | P413752  | Stitch Width Drive Gear               | 1    |
| 121                         | P413754  | Stitch Width Cam Shaft                | 1    |
| 122                         | P661163  | Pivot Link Shoulder Screw             | 1    |
| 123                         | P413753  | Stitch Width Cam                      | 1    |
| 124                         | P661174  | 15/64-28 Hex Nut                      | 1    |
| 125                         | P413779  | Coupling Dive Shaft                   | 1    |
| 126                         | P413784  | Needle Bar Rock Shaft Crank Connector | 1    |

PARTS  
IDENTIFICATION



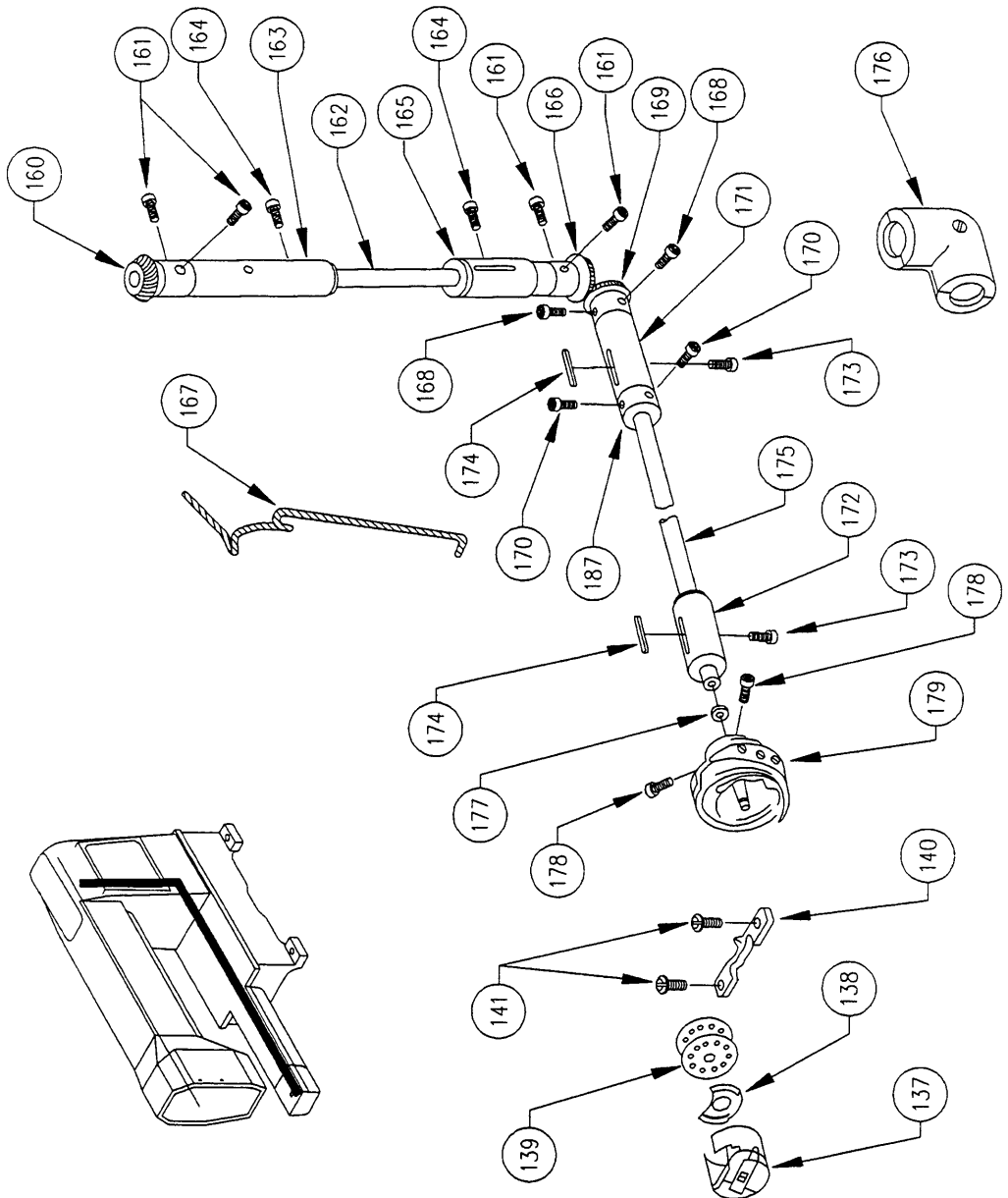
| SEWING HEAD PARTS - VIEW 4A |          |  |      |
|-----------------------------|----------|--|------|
| ITEM                        | PART NO. | DESCRIPTION  | QTY. |
| 127                         | P413539  | 7/32"-32 Stud Screw                                | 1    |
| 128                         | P661237  | 3/16"-32 Cap Screw                                 | 1    |
| 129                         | P661234  | Vibrating Eccentric Cam Rod                        | 1    |
| 130                         | P661221  | M6 X 8 Set Screw                                   | 2    |
| 131                         | P413260  | Vibrating Eccentric Cam Shaft Bushing              | 2    |
| 132                         | P413249  | Nut  | 1    |
| 133                         | P661222  | Presser Bar Lift Lever                             | 1    |
| 134                         | P661223  | 3/16"-32 Stud Screw                                | 1    |
| 135                         | P661231  | Vibrating Presser Foot Guide Bar Bracket           | 1    |
| 136                         | P413847  | 9/64"-40 X 8 Set Screw                             | 1    |
| 142                         | P641503  | Vibrating Presser Foot                             | 1    |
| 143                         | P661229  | 1/8"-44 X 6 Set Screw                              | 1    |
| 144                         | P661233  | 9/64"-40 Vibrating Presser Foot Stud Screw         | 1    |
| 145                         | P641501  | Vibrating Pressed Foot Guide Bar (Jump Foot Rod)   | 1    |
| 146                         | P661220  | Presser Bar Lower Bushing                          | 1    |
| 147                         | P661217  | Presser Bar  | 1    |
| 148                         | P661226  | 1/4"-24 Guide Screw                                | 1    |
| 149                         | P661224  | Presser Bar Bracket                                | 1    |
| 150                         | P661225  | 11/64"-32 Set Screw                                | 1    |
| 151                         | P661227  | Presser Bar Spring                                 | 1    |
| 152                         | P661210  | M5 Joint Screw                                     | 1    |
| 153                         | P661209  | DB-7L Joint Washer                                 | 1    |
| 154                         | P413788  | Vibrating Eccentric Cam Shaft                      | 1    |
| 156                         | P661206  | Vibrating Eccentric Cam Shaft Rear Adjustment Arm  | 1    |
| 157                         | P413474  | Joint Bushing                                      | 1    |
| 158                         | P661211  | M5 Joint Nut                                       | 1    |
| 159                         | P413472  | Eccentric/Cam                                      | 1    |
| 180                         | P661212  | Vibrating Eccentric Cam Shaft Front Adjustment Arm | 1    |
| 181                         | P661207  | M6 X 15 Set Screw                                  | 1    |
| 182                         | P661214  | Reset Lever  | 2    |
| 183                         | P661216  | M4 Washer  | 1    |
| 184                         | P661045  | 9/64"-40 X 8 Reset Lever Set Screw                 | 2    |
| 185                         | P661218  | 3.5 X L150 Oil Wick                                | 1    |



| SEWING HEAD PARTS - VIEW 4A |          |                           |      |
|-----------------------------|----------|---------------------------|------|
| ITEM                        | PART NO. | DESCRIPTION               | QTY. |
| 186                         | P413284  | Presser Bar Upper Bushing | 1    |
| 190                         | P661269  | Large Presser Foot        | 1    |

PARTS  
IDENTIFICATION

# SEWING HEAD PARTS - VIEW 4B

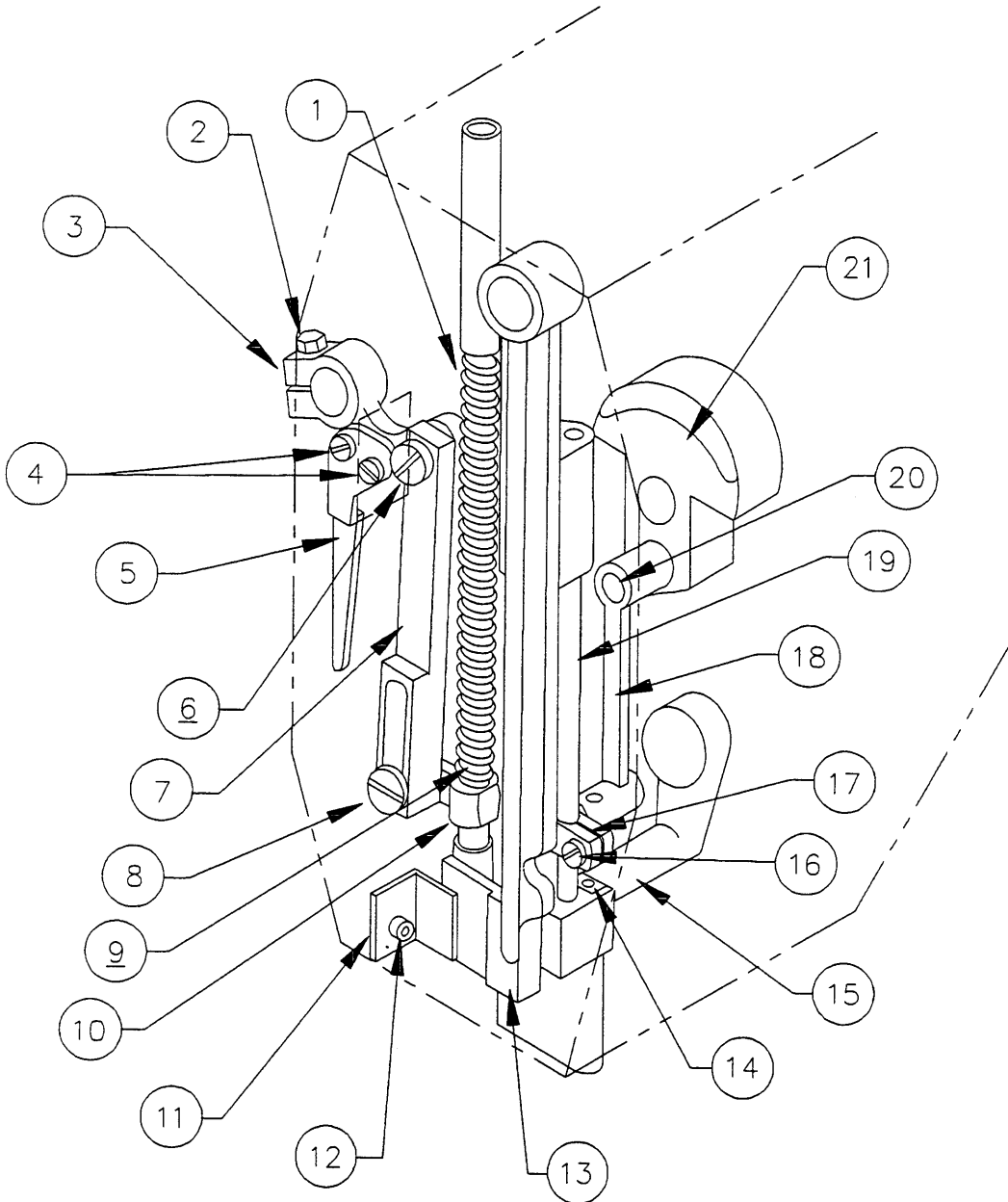




| SEWING HEAD PARTS - VIEW 4B |          |                                 |      |
|-----------------------------|----------|---------------------------------|------|
| ITEM                        | PART NO. | DESCRIPTION                     | QTY. |
| 137                         | P413830  | Bobbin Case Assembly            | 1    |
| 138                         | P661275  | XL Overspring Protector         | 1    |
| 139                         | P413670  | Bobbin                          | 1    |
| 140                         | P661260  | Hook Support Plate              | 1    |
| 141                         | P661035  | 9/64" - 40 X 8 Set Screw        | 2    |
| 160                         | P661243  | Arm Shaft Upright Spiral Gear   | 1    |
| 161                         | P661244  | 1/4" - 40 X 5 Set Screw         | 4    |
| 162                         | P661238  | Arm Shaft Upright               | 1    |
| 163                         | P413614  | Upper Arm Shaft Upright Bushing | 1    |
| 164                         | P661038  | M6 X 6 Set Screw                | 2    |
| 165                         | P413615  | Lower Arm Shaft Upright Bushing | 1    |
| 166                         | P661245  | Lower Arm Shaft Gear            | 1    |
| 167                         | P661108  | 3.5 X L160 Oil Wick             | 1    |
| 168                         | P661244  | 1/4" - 40 X 5 Set Screw         | 2    |
| 169                         | P661247  | Lower Shaft Spiral Gear         | 1    |
| 170                         | P661256  | 1/4" - 40 X 4 Set Screw         | 2    |
| 171                         | P661252  | Rear Hook Drive Shaft Bushing   | 1    |
| 172                         | P661251  | Front Hook Drive Shaft Bushing  | 1    |
| 173                         | P661096  | M6 X 10 Set Screw               | 2    |
| 174                         | P661253  | Hook Drive Shaft Felt           | 2    |
| 175                         | P661250  | Hook Drive Shaft                | 1    |
| 176                         | P661249  | Lower Gear Cover Assembly       | 1    |
| 177                         | P661259  | Rotating Hook Assembly Felt     | 1    |
| 178                         | P413827  | Set Screw                       | 2    |
| 179                         | P413820  | Rotating Hook Assembly          | 1    |
| 187                         | P661255  | Hook Drive Shaft Collar         | 1    |

PARTS  
IDENTIFICATION

# SEWING HEAD PARTS - FRONT VIEW



| SEWING HEAD - FRONT VIEW |          |                                    |     |
|--------------------------|----------|------------------------------------|-----|
| ITEM                     | PART NO. | DESCRIPTION                        | QTY |
| 1                        | P661227  | Presser Bar Spring                 | 1   |
| 2                        | P661207  | M6 X 15 X 10 Socket Head Cap Screw | 1   |
| 3                        | P661212  | Eccentric Cam Link                 | 1   |
| 4                        | P661045  | 9/64-40 Pan Head Screw             | 2   |
| 5                        | P661214  | Trip Lever                         | 1   |
| 6                        | P413539  | Connecting Link Shoulder Screw     | 1   |
| 7                        | P661234  | Presser Bar Lift Link              | 1   |
| 8                        | P661237  | Lift Link Screw                    | 1   |
| 9                        | P661217  | Presser Bar                        | 1   |
| 10                       | P661224  | Presser Bar Guide Bill             | 1   |
| 11                       | P413308  | Needle Bar Frame Position Bracket  | 1   |
| 12                       | P661141  | M4 X 6 X 0.7 Socket Head Cap Screw | 1   |
| 13                       | P642510  | Needle Bar Frame                   | 1   |
| 14                       | P413330  | Needle Bar Frame Slide Block       | 1   |
| 15                       | P661150  | Needle Bar Rock Frame Shaft        | 1   |
| 16                       | P413279  | Screw                              | 1   |
| 17                       | P413278  | Needle Bar Connecting Stud         | 1   |
| 18                       | P413274  | Needle Bar Connecting Link         | 1   |
| 19                       | P642501  | Jump Foot Rod                      | 1   |
| 20                       | P413269  | Needle Bar Connecting Link Stud    | 1   |
| 21                       | P661103  | Needle Bar Crank                   | 1   |

PARTS  
IDENTIFICATION

---

NOTES