

*Barudan*

# **900XLC Parts Book**

**(version 2)**

This parts book covers the 2nd series of Meistergram 900XLC machines (with tubular arm system) built from 1995, with serial numbers starting at 95112F.

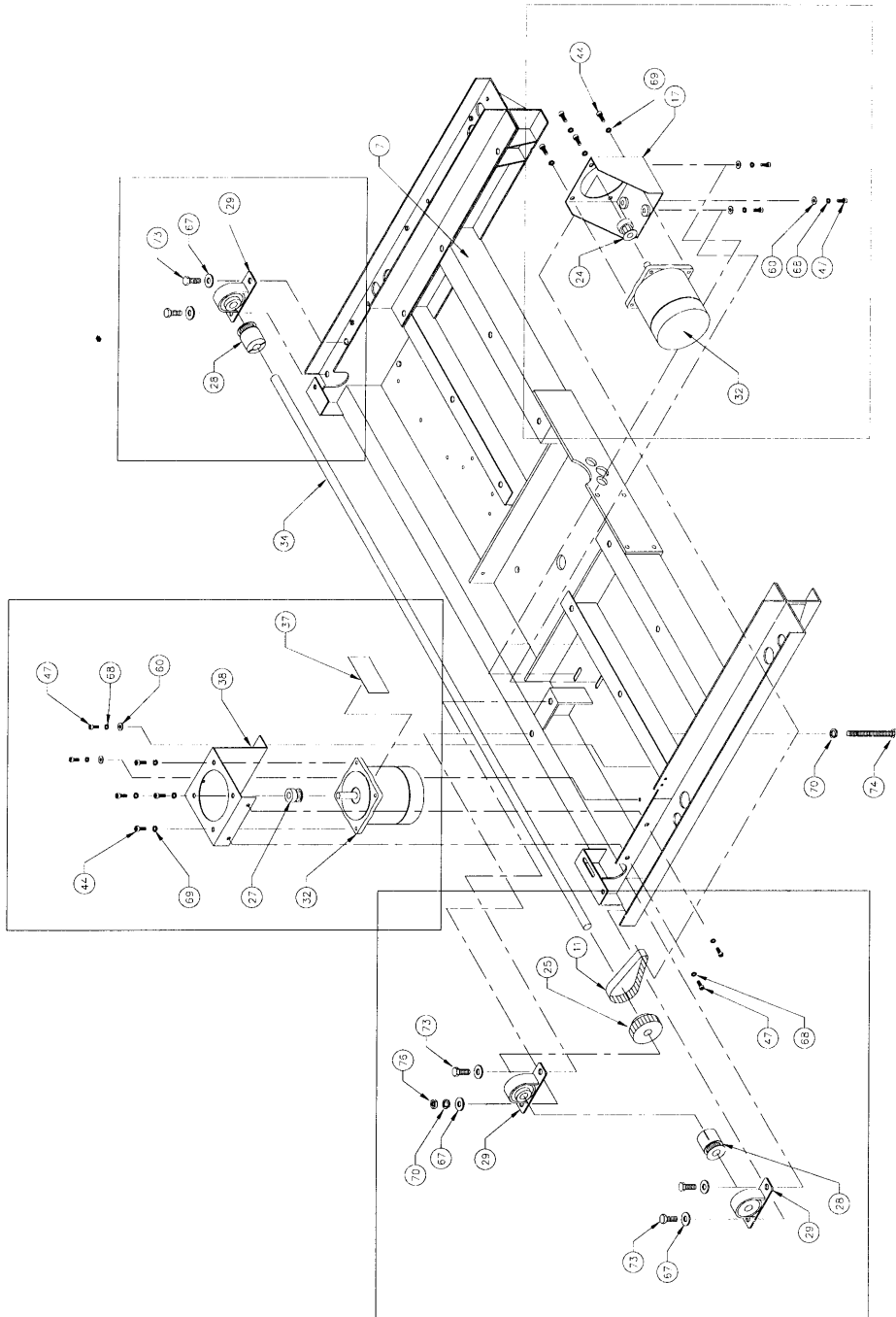
Copyright 1991, 2002 Barudan America Inc.

## CHAPTER 3

### PARTS IDENTIFICATION

- BASE ASSEMBLY
- BASE ASSEMBLY - Y DRIVE UNIT
- HEAD INSTALLATION
- TABLE TOP ASSEMBLY
- X DRIVE BELT
- MAIN BASE
- LIMIT SWITCH ASSEMBLY
- CENTER & LEFT COVER THREAD STAND ASSEMBLY
- THREAD STAND ASSEMBLY
- HEAD ASSEMBLY
- MAIN MOTOR ASSEMBLY
- PANTOGRAPH ARM ASSEMBLY
- MEISTERGRAM HOOP ADAPTER ASSEMBLY
- CRT ARM ASSEMBLY
- TENSION ASSEMBLY
- BOBBIN WINDER TENSION ASSEMBLY
- BOBBIN WINDER ASSEMBLY
- SEWING HEAD PARTS - VIEW 1
- SEWING HEAD PARTS - VIEW 2A
- SEWING HEAD PARTS - VIEW 2B
- SEWING HEAD PARTS - VIEW 3A
- SEWING HEAD PARTS - VIEW 3B
- SEWING HEAD PARTS - VIEW 4A
- SEWING HEAD PARTS - VIEW 4B
- SEWING HEAD - FRONT VIEW

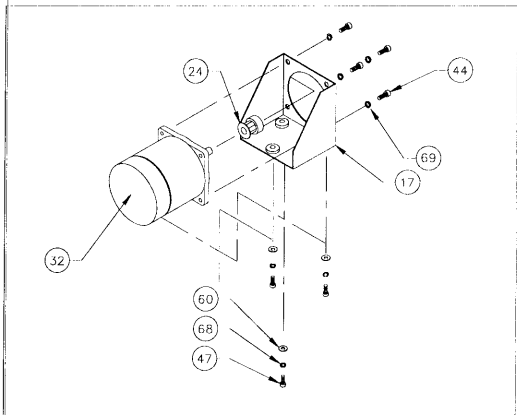
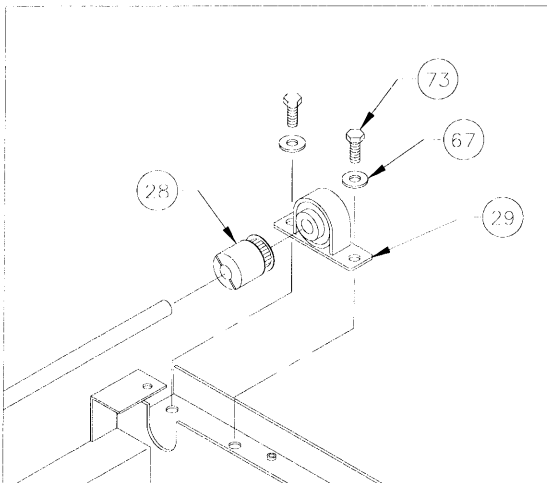
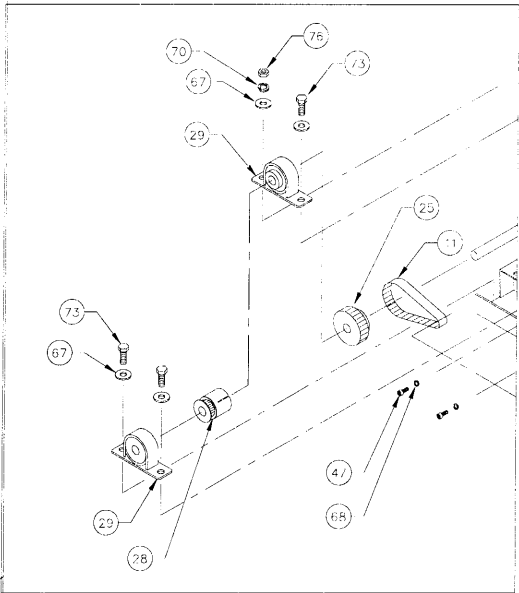
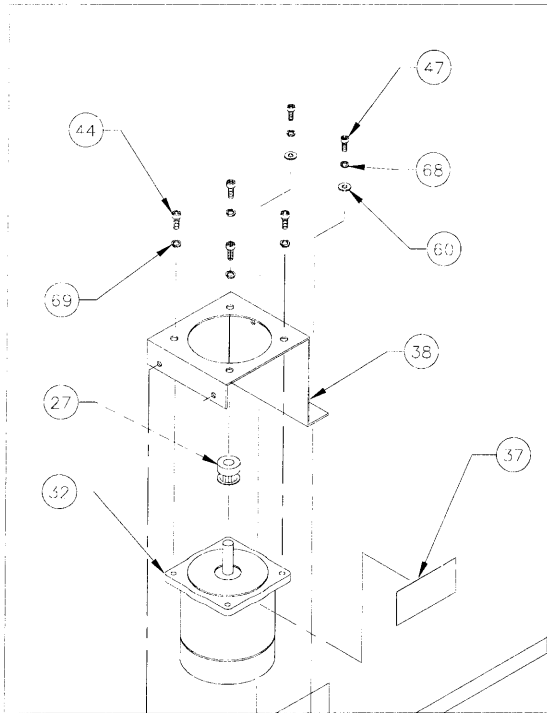




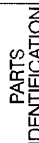
**BASE ASSEMBLY**

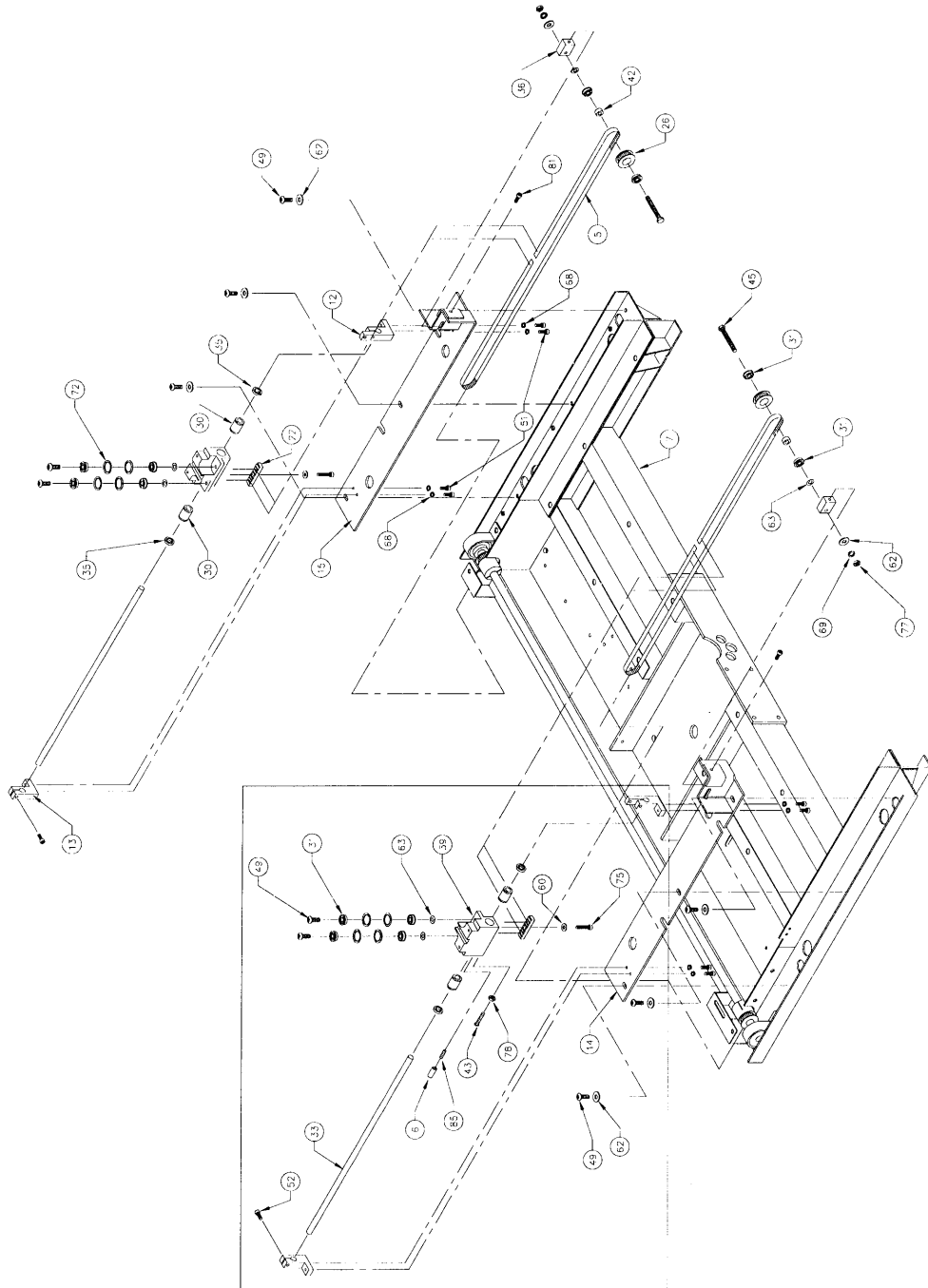
<b>BASE ASSEMBLY</b>			
ITEM	PART NO.	DESCRIPTION	QTY.
7	P700001	BASE, WELDMENT AND FABRICATION, 900XLC	1
11	P700039	BELT, TIMING 124XL037	1
17	P700110	BRACKET, Y-STEPPER MOTOR	1
24	P700411	PULLEY, TIMING (10XL037)	1
25	P700412	PULLEY, TIMING (30XL037)	1
27	P700419	PULLEY, TIMING (25MXL025)	1
28	P700420	PULLEY, TIMING (15XL037)	2
29	P700460	BEARING, PILLOW BLOCK	3
32	P700560	STEPPER MOTOR, PANTO	2
34	P700621	SHAFT, DRIVE Y-PANTO	1
37	P701912	DECAL, STEPPER MOTOR SPECS	1
38	P720106	BRACKET, X-STEP MOTOR	1
44	P840052	1/4-20 X 1/2 SOC HEAD SCREW	8
47	P840073	#10-32X3/8 SOC HD SCREW	7
60	P840530	#10 FLAT WASHER	5
67	P840571	8MM FLAT WASHER	6
68	P840572	#10 LOCK WASHER SPLIT	7
69	P840580	1/4" LOCK WASHER	8
70	P840582	5/16 SPLIT LOCK WASHER	1
73	P840601	5/16 18 X 3/4" HEX HEAD BOLT	5
74	P840608	5/16-18X3 1/2 HEX SOC.CAP SCREW	1
76	P840707	5/16-18 HEX NUT	1

PARTS  
IDENTIFICATION



BASE ASSEMBLY			
ITEM	PART NO.	DESCRIPTION	QTY.
11	P700039	BELT, TIMING 124XL037	1
17	P700110	BRACKET, Y-STEPPER MOTOR	1
24	P700411	PULLEY, TIMING (10XL037)	1
25	P700412	PULLEY, TIMING (30XL037)	1
27	P700419	PULLEY, TIMING (25MXL025)	1
28	P700420	PULLEY, TIMING (15XL037)	2
29	P700460	BEARING, PILLOW BLOCK	3
32	P700560	STEPPER MOTOR, PANTO	2
37	P701912	DECAL, STEPPER MOTOR SPECS	1
38	P720106	BRACKET, X-STEP MOTOR	1
44	P840052	1/4-20 X 1/2 SOC HEAD SCREW	8
47	P840073	#10-32X3/8 SOC HD SCREW	7
60	P840530	#10 FLAT WASHER	5
67	P840571	8MM FLAT WASHER	6
68	P840572	#10 LOCK WASHER SPLIT	7
69	P840580	1/4" LOCK WASHER	8
70	P840582	5/16 SPLIT LOCK WASHER	1
73	P840601	5/16-18 X 3/4" HEX HEAD BOLT	5
74	P840608	5/16-18/3 1/2 HEX SOC CAP SCREW	1
76	P840707	5/16-18 HEX NUT	1


 PARTS  
IDENTIFICATION

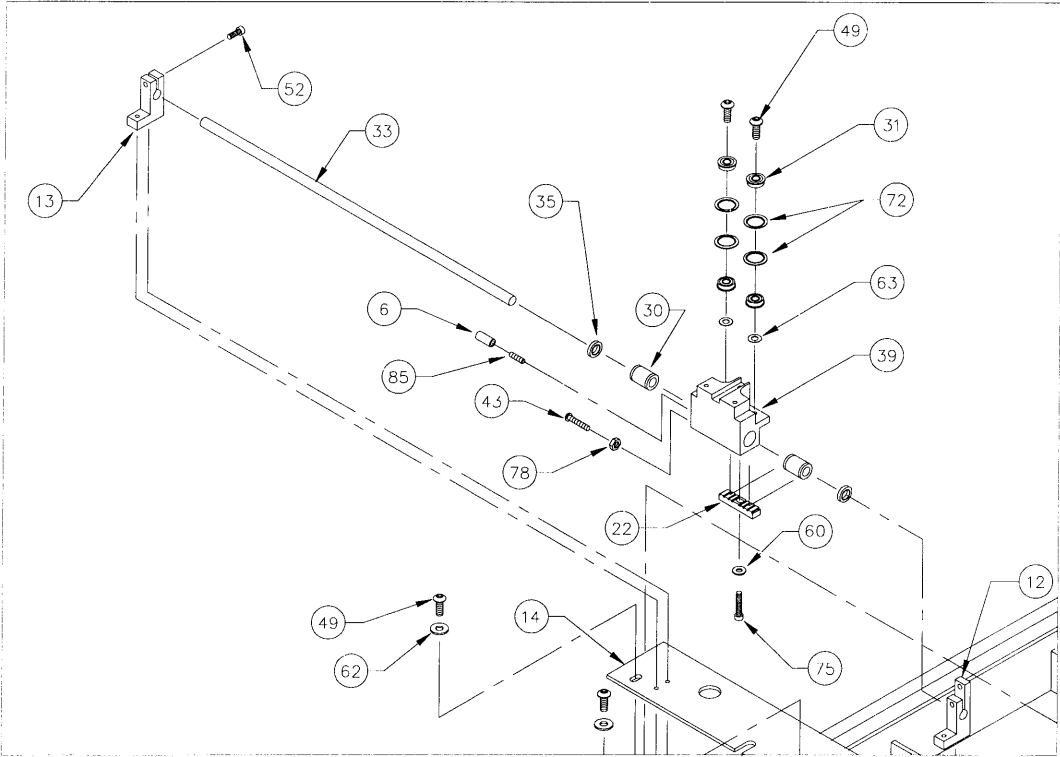




**BASE ASSEMBLY - Y DRIVE UNIT**

<b>BASE ASSEMBLY - Y DRIVE UNIT</b>			
ITEM	PART NO.	DESCRIPTION	QTY.
5	9P870003	TIMING BELT XL037UG (UNITS IN FEET)	8
6	P413015	MAGNET, HALL EFFECT	1
7	P700001	BASE, WELDMENT AND FABRICATION, 900XLC	1
12	P700100	BRACKET, SHAFT SUPP, FRONT	2
13	P700101	BRACKET, SHAFT SUPP, REAR	2
14	P700105	BRACKET, LEFT SIDE MOUNT ANGLE	1
15	P700106	BRACKET, RIGHT SIDE MOUNT ANGLE	1
22	P700240	CLAMP, TIMING BELT Y-PANTO	2
26	P700413	PULLEY, TIMING (IDLER)	2
31	P700462	BEARING, FLANGE ENGLISH	12
30	P700468	BUSHING, LINEAR 3/8"ID. CERAMIC	4
33	P700620	SHAFT, PRECISION PANTO	2
35	P700622	SEAL, LINEAR BEARING	4
36	P700635	BLOCK, PULLEY ADJUSTMENT	2
39	P720530	CARRIER, Y-PANTO. TUBULAR	2
42	P820704	1/4" I.D. X.025 SPACER	2
43	P840044	#4-40 X 1/2 BLK SOC HD CAP SCREW	1
45	P840068	BOLT, 1/4-20 X 1 3/4" LG. FULLY THRD HEX HD	2
49	P040136	1/4-20 X 5/8 BUTTON HEAD SCREW	10
51	P840434	#10-32X1/2 HEX SOCKET HEAD CAP SCREW	4
52	P840435	#10-32X1 HEX SOCKET HEAD CAP SCREW	2
60	P840530	#10 FLAT WASHER	2
62	P840540	1/4"SAE FLAT WASHER-PLTD.	8
63	P840556	1/4" WASHER, SHIM	6
68	P840572	#10 LOCK WASHER SPLIT	8
69	P840580	1/4" LOCK WASHER	2
72	P840590	WASHER, BEARING FLANGE	8
75	P840621	#10-32X3/4" SOCKET HEAD CAP SCREW	2

PARTS  
IDENTIFICATION



77	P840710	1/4-20 HEX NUT	2
78	P840716	#4-40 SMALL PATTERN HEX NUT	1
81	P840737	#10-32 X 5/8 HEX SOCKET	2
85	P841038	SCREW, #4-40 X 1/2: LG. CUP POINT SOCKET SET	1

**BASE ASSEMBLY - Y DRIVE UNIT**

ITEM	PART NO.	DESCRIPTION	QTY.
6	P413015	MAGNET, HALL EFFECT	1
12	P700100	BRACKET, SHAFT SUPP, FRONT	2
13	P700101	BRACKET, SHAFT SUPP, REAR	2
14	P700105	BRACKET, LEFT SIDE MOUNT ANGLE	1
22	P700240	CLAMP, TIMING BELT Y-PANTO	2
30	P700468	BUSHING, LINEAR 3/8" ID. CERAMIC	4
31	P700462	BEARING, FLANGE ENGLISH	12
33	P700620	SHAFT, PRECISION PANTO	2
35	P700622	SEAL, LINEAR BEARING	4
39	P720530	CARRIER, Y-PANTO. TUBULAR	2
43	P840044	#4-40 X 1/2 BLK SOCK HD CAP SCREW	1
49	P840136	1/4-20 X 5/8 BUTTON HEAD SCREW	10
52	P840435	#10-32X1 HEX SOCKET HEAD CAP SCREW	2
60	P840530	#10 FLAT WASHER	2
62	P840540	1/4" SAE FLAT WASHER-PLTD.	8
63	P840556	1/4" WASHER, SHIM	6
75	P840621	#10-32X3/4" SOCKET HEAD CAP SCREW	1
78	P840716	#4-40 SMALL PATTERN HEX NUT	1
85	P841038	SCREW, #4-40 X 1/2" LG. CUP POINT SOCKET SET	1

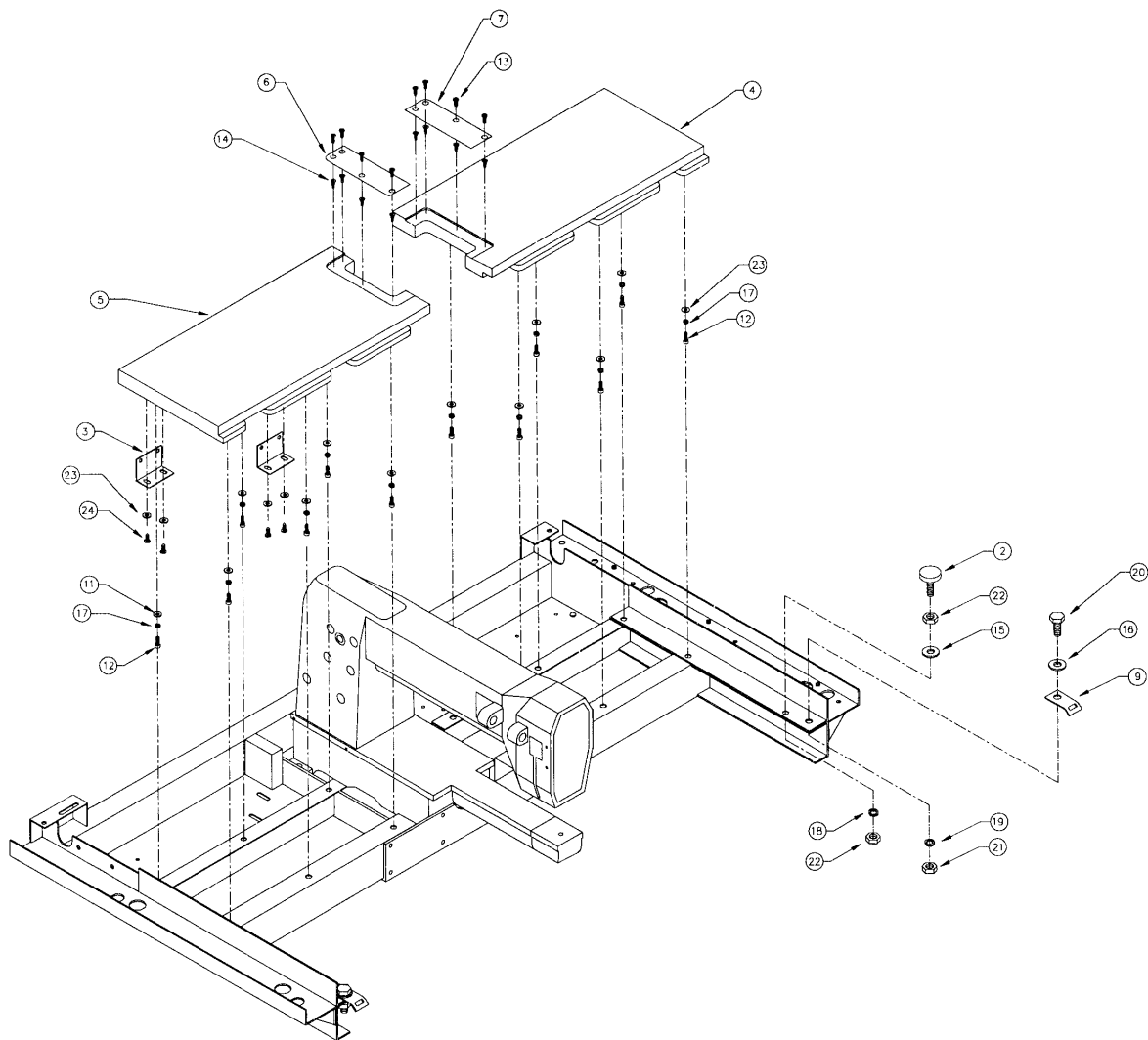
PARTS  
IDENTIFICATION



## HEAD INSTALLATION

HEAD INSTALLATION			
ITEM	PART NO.	DESCRIPTION	QTY.
1	9P520001	1" X 1/2" ADHESIVE NEOPRENE	6
2	9P520002	1" X 5/16" ADHESIVE NEOPRENE	4
4	9P870002	R.T.V. OIL SEALANT	1
7	P700001	BASE, WELDMENT AND FABRICATION, 900XLC	1
41	P820703	PLUG, PLASTIC	1
48	P840077	5/16-18 X 1 1/2 LG SOC HD SCREW	4
66	P840561	5/16" FLAT WASHER	4
70	P840582	5/16 SPLIT LOCK WASHER	4
71	P840587	7/8" O-RING	1
76	P840707	5/16-18 HEX NUT	8
87	ZP701000	M900XLC HEAD ASSEMBLY	1

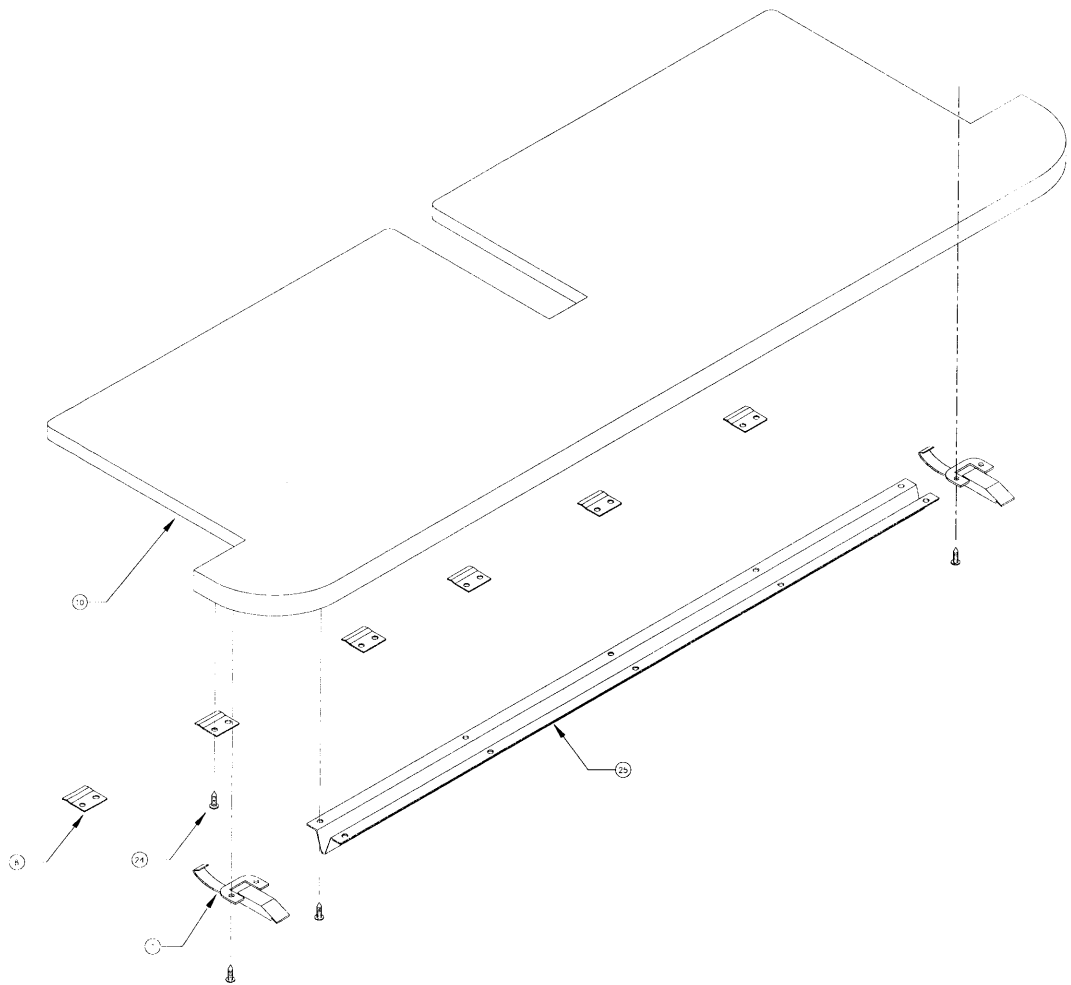
PARTS  
IDENTIFICATION



**TABLE TOP ASSEMBLY**

<b>TABLE TOP ASSEMBLY</b>			
ITEM	PART NO.	DESCRIPTION	QTY.
2	P670800	LEVELING FOOT, TUBULAR	2
3	P700124	BRACKET, COVER RETAINER	2
4	P700165	TABLE TOP, LEFT TUBULAR	1
5	P700166	TABLE TOP, RIGHT TUBULAR	1
6	P700215	LEFT COVER, SEWING HD ACCESS	1
7	P700216	RIGHT COVER, SEWING HD ACCESS	1
9	P720114	BRACKET, TABLE CLAMP, TUBULAR	2
11	P840002	M6 FLAT WASHER	6
12	P840435	#10-32X1 HEX SOCKET HEAD CAP SCREW	12
13	P840492	#8-32X3/8 PHILLIPS FLAT HEAD UNDERCUT SCREW	8
14	P840497	#8-32 THREADED INSERT - STAFAST	8
15	P840563	WASHER, 3/8" FLAT	2
16	P840571	8MM FLAT WASHER	2
17	P840572	#10 LOCK WASHER SPLIT	12
18	P840578	WASHER, 3/8" HELICAL SPRING LOCK	2
19	P840582	5/16 SPLIT LOCK WASHER	2
20	P840601	5/16-18 X 3/4" HEX HEAD BOLT	2
21	P840707	5/16-18 HEX NUT	2
22	P840708	NUT, 3/8-16 UNC-2B HEXAGONAL	2
23	P841021	M5 FLAT WASHER	16
24	P841041	#10X1/2 PHILLIPS PAN HEAD WOOD SCREW	4

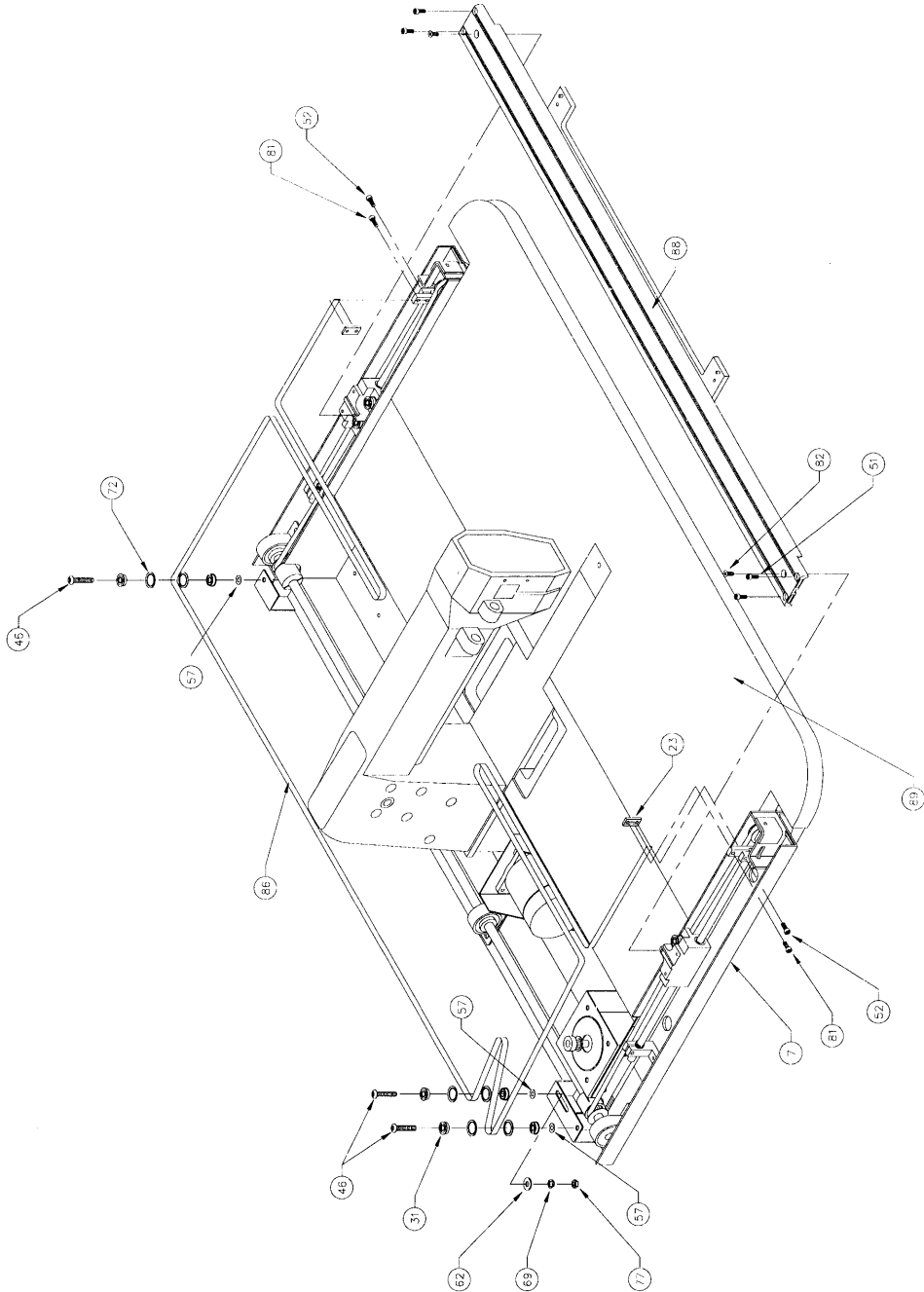
PARTS  
IDENTIFICATION





<b>TABLE TOP ASSEMBLY</b>			
ITEM	PART NO.	DESCRIPTION	QTY.
1	P520209	CATCH, DRAW PULL	2
8	P720113	BRACKET, LEAF RETAINER, TUBULAR	6
10	P720164	TABLE TOP, LEAF, TUBULAR	1
24	P841041	#10X1/2 PHILLIPS PAN HEAD WOOD SCREW	26
25	P720119	TABLE LEAF STIFFENER	1

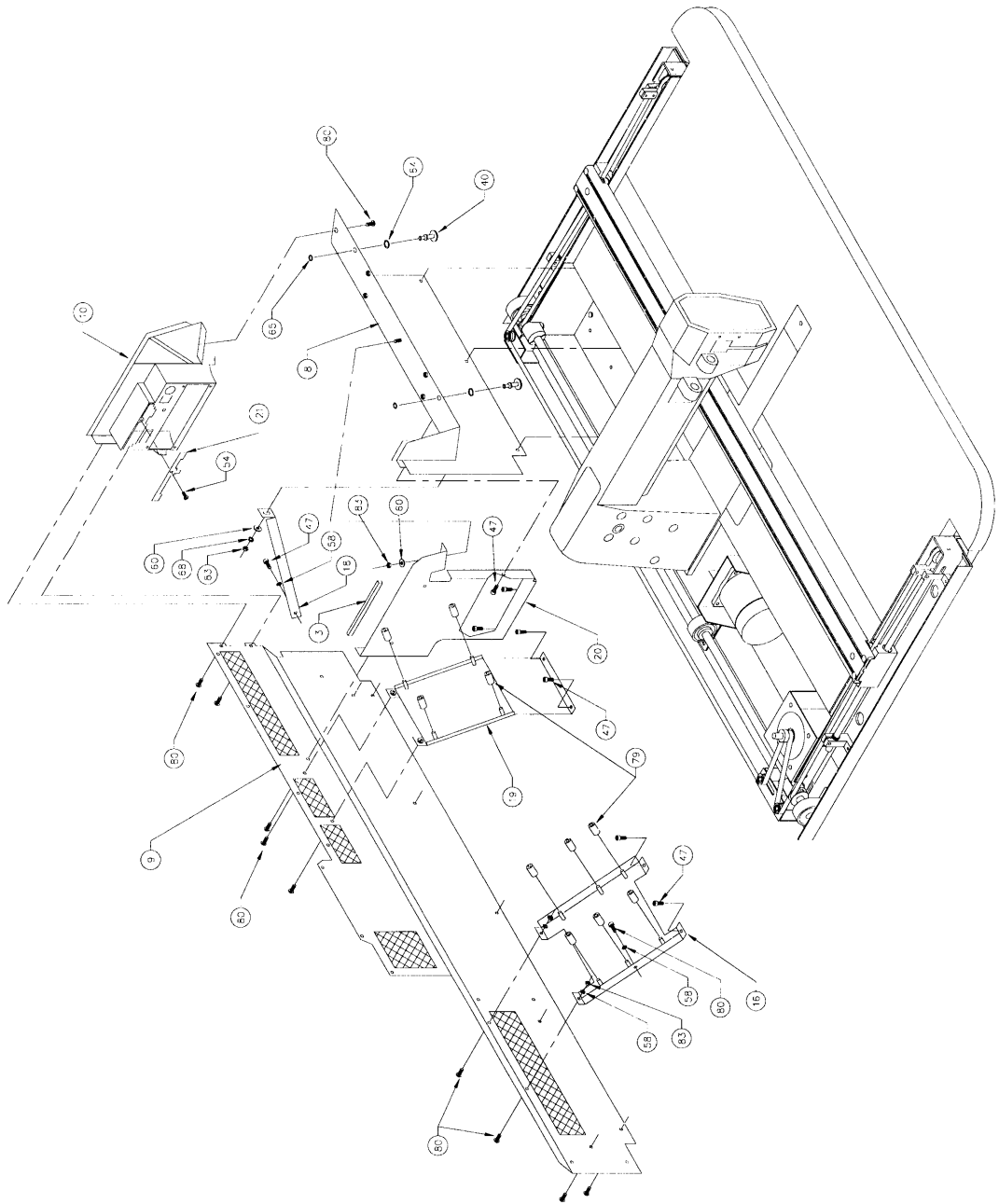




**X DRIVE BELT**

<b>X DRIVE BELT</b>			
ITEM	PART NO.	DESCRIPTION	QTY.
7	P700001	BASE, WELDMENT AND FABRICATION, 900XLC	1
23	P700241	CLAMP, TIMING BELT	2
31	P700462	BEARING, FLANGE ENGLISH	6
46	P840069	1/4-20X1.00 HEX SOCKET BUTTON HD	3
51	P840434	#10-32X1/2 HEX SOCKET HEAD CAP SCREW	4
52	P840435	#10-32X1 HEX SOCKET HEAD CAP SCREW	2
57	P840501	1/4 SPRING TENSION WASHER	3
62	P840540	1/4" SAE FLAT WASHER-PLTD.	1
69	P840580	1/4" LOCK WASHER	1
72	P840590	WASHER, BEARING FLANGE	6
77	P840710	1/4-20 HEX NUT	1
81	P840737	#10-32 X 5/8 HEX SOCKET	2
82	P840738	#10-32X5/8 HEX SOC FL HD CAP SCREW	2
86	P700042	TIMING BELT MXL025	1
88	ZP701301	PANTOGRAPH ARM ASS'Y, 900XLC	1
89	ZP701701	900XLC TABLE TOP ASSEMBLY	1

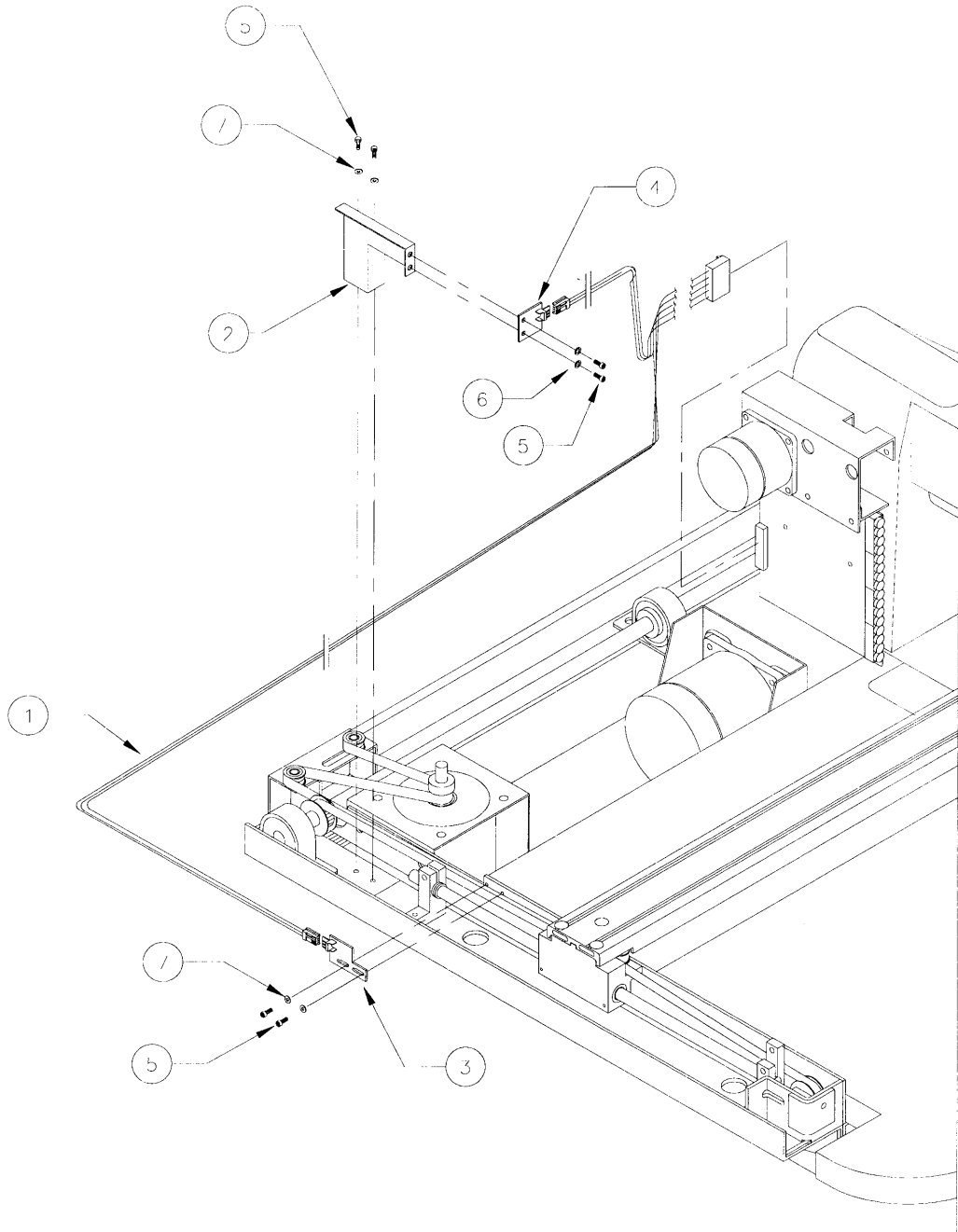
 PARTS  
IDENTIFICATION



**MAIN BASE**

<b>MAIN BASE</b>			
ITEM	PART NO.	DESCRIPTION	QTY.
3	9P530200	GROMMET STRIP	6
8	P700002	COVER, LOWER RIGHT FRONT	1
9	P700003	BACK PANEL	1
10	P700015	COVER, RIGHT END PLASTIC	1
16	P700108	STEPPER MOTOR BRACKET	1
18	P700115	BRACKET, FRONT PANEL SUPPORT	1
19	P700116	BRACKET, SERVO BOARD	1
20	P700201	PLATE, CTR. VERT. SUPPORT	1
21	P700208	PLATE, POWER MODULE COVER	1
40	P820701	FASTENER. 1/4 TURN	2
47	P840073	#10-32X3/8 SOC. HD SCREW	10
54	P840470	#8-18X3/8 PHIL.P.H. THREAD CUT.SCR.T-25	1
58	P840506	#10 INTERNAL TOOTH LOCK WASHER	2
60	P840530	#10 FLAT WASHER	2
64	P840558	WASHER, NYLON	2
65	P840559	RETAINER	2
68	P840572	#10 LOCK WASHER SPLIT	1
79	P840722	#6-32X1/4 HEX FEMALE STAND	10
80	P840736	#10-32 X 3/8 HEC SOC. BUTTON HD.	18
83	P840740	#10-32 HEX NUT	2

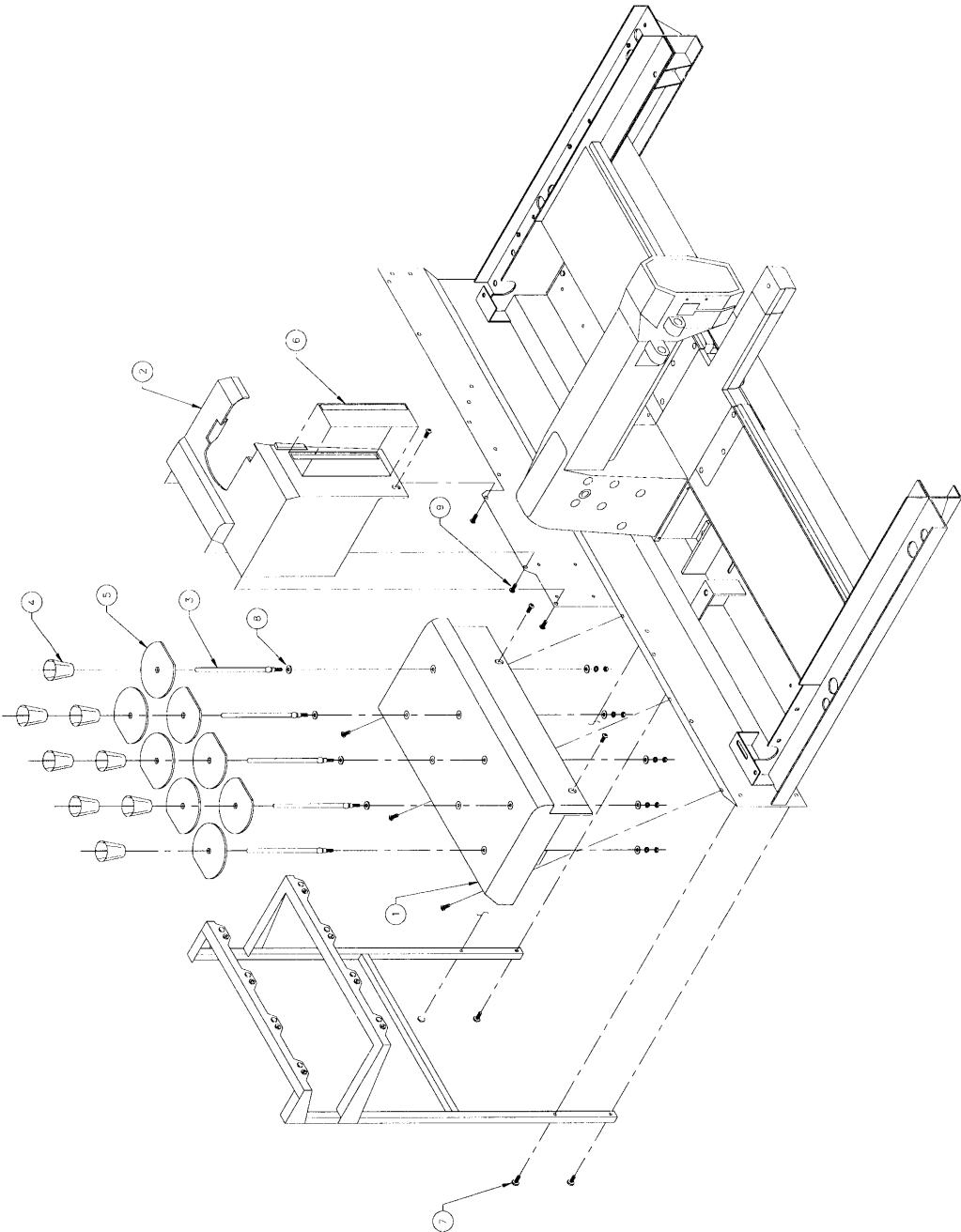
PARTS  
IDENTIFICATION



**LIGHT SWITCH ASSEMBLY**

<b>LIMIT SWITCH ASSEMBLY</b>			
<b>ITEM</b>	<b>PART NO.</b>	<b>DESCRIPTION</b>	<b>QTY.</b>
1	P701354	HARNESS, LIMIT SWITCH PCB	1
2	P701101	BRACKET, Y-PANTO. HES PCB	1
3	P722658	PCB, HALL EFFECT SENSOR	1
4	P722660	PCB, HALL EFFECT SENSOR	1
5	P840045	#4-40X3/16 HEX SOCKET HEAD CAP SCREW	6
6	P840515	#4-40 FLAT WASHER	4
7	P840505	#4 INTERNAL TOOTH LOCK WASHER	2

PARTS  
IDENTIFICATION

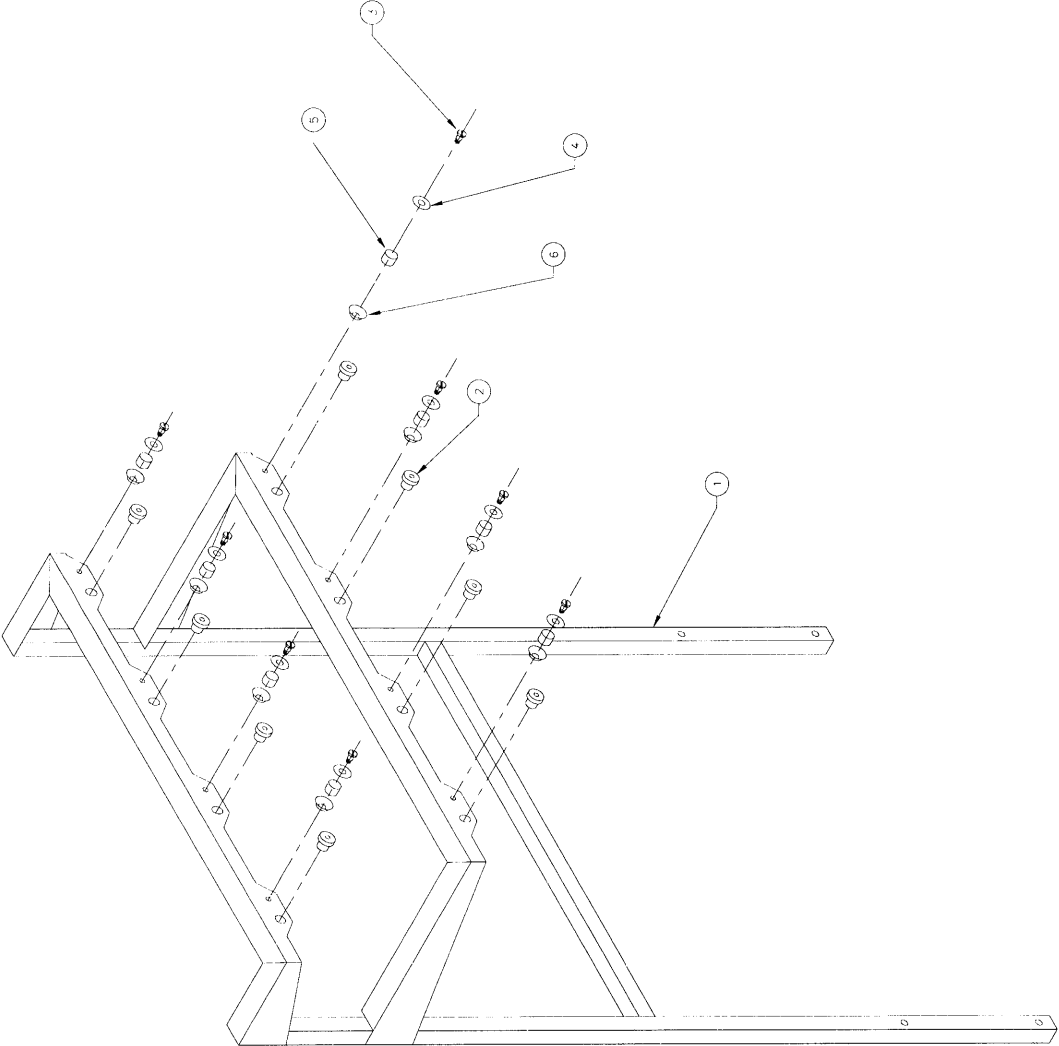




## CENTER & LEFT COVER THREAD STAND ASSEMBLY

CENTER & LEFT COVER THREAD STAND ASSEMBLY			
ITEM	PART NO.	DESCRIPTION	QTY.
1	P700022	COVER, LEFT THREAD BASE	1
2	P700023	COVER, CENTER	1
3	P700701	SPINDLE, THREAD	8
4	P700702	SPIDER, THREAD	8
5	P700703	FELT, THREAD STAND	8
6	P700903	DECAL, CENTER COVER-STATUS	1
7	P840443	#10-32X3/4 THUMBSCREWS	4
8	P840543	WASHER, SHIM THREAD SPINDLE	8
9	P840736	10-32 X 3/8 HEX SOC. BUTTON HD.	9

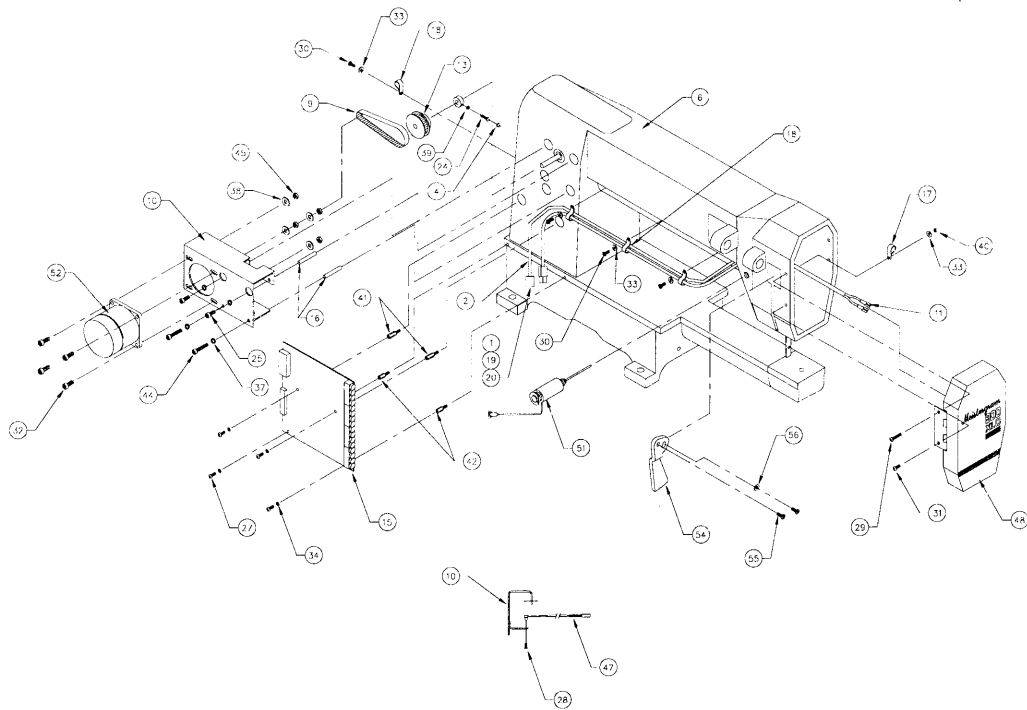
PARTS  
IDENTIFICATION



## THREAD STAND ASSEMBLY

THREAD STAND ASSEMBLY			
ITEM	PART NO.	DESCRIPTION	QTY.
1	P700704	THREAD STAND MAST	1
2	P700801	KF25250 SCREW M27 -ITEM #28	8
3	P700802	KF250230 WASHER FOR M27 - ITEM #29	8
4	P700803	KF250240 SPRING FOR M27 - ITEM #30	8
5	P700804	KF250220 THREAD TRAP DISC - ITEM #31	8
6	HT240480	EYELET, WHITE THREAD GUIDE	8

PARTS  
IDENTIFICATION

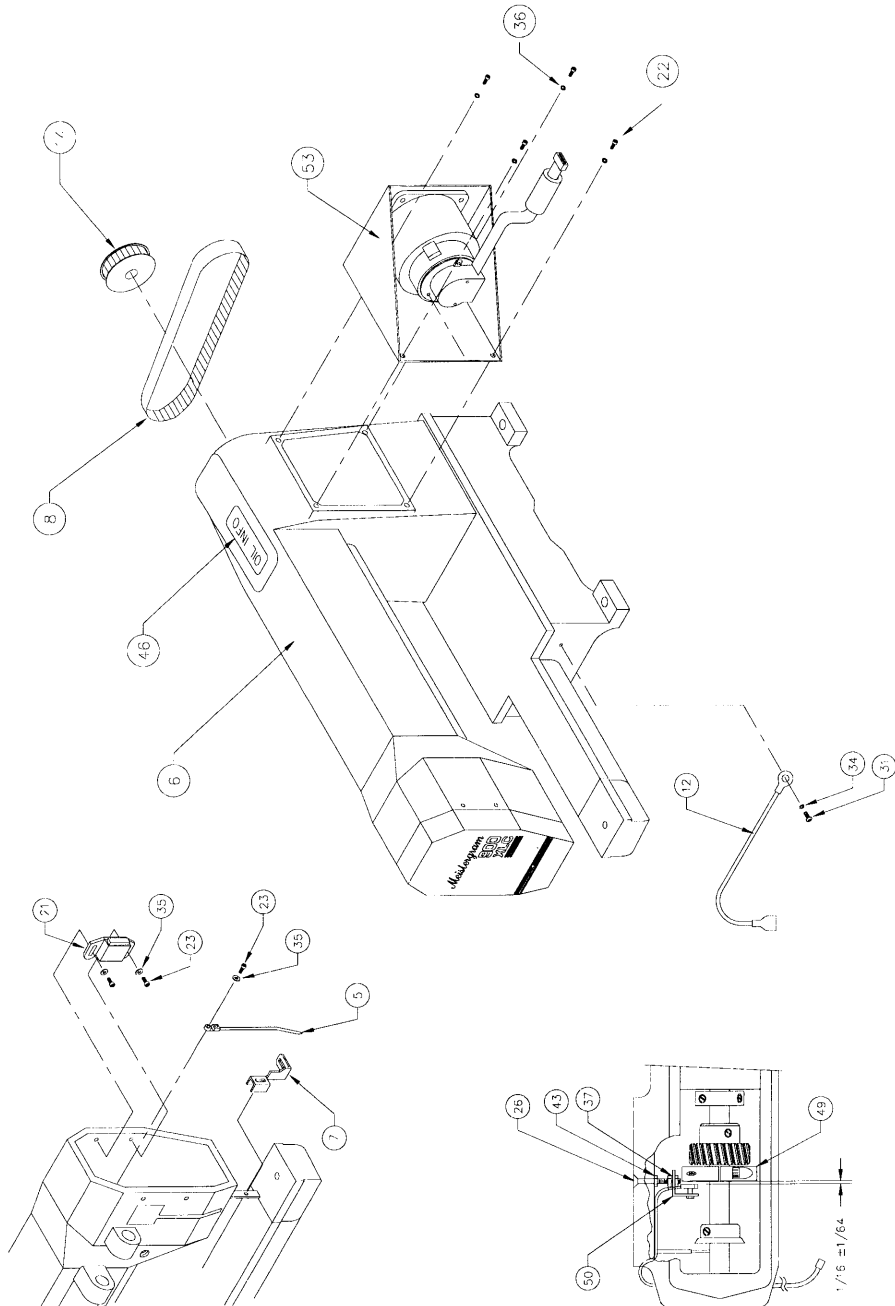


## HEAD ASSEMBLY

HEAD ASSEMBLY			
ITEM	PART NO.	DESCRIPTION	QTY.
1	9P530010	POLARIZING KEY	1
2	9P820350	3/32 SHRINK TUBING BLACK BULK	1
3	P312028	3" CABLE TIES	4
4	P413018	MAGNET	1
5	P530238	TIE, CABLE SEWING HEAD	1
6	P661001	CYLINDER ARM HEAD	1
9	P700043	BELT, TIMING (100MXL025)	1
10	P700102	BRACKET, STITCH WIDTH	1
11	P700348	HARNESS, LAMP POWER	1
13	P700415	PULLEY, TIMING (48MXL025)	1

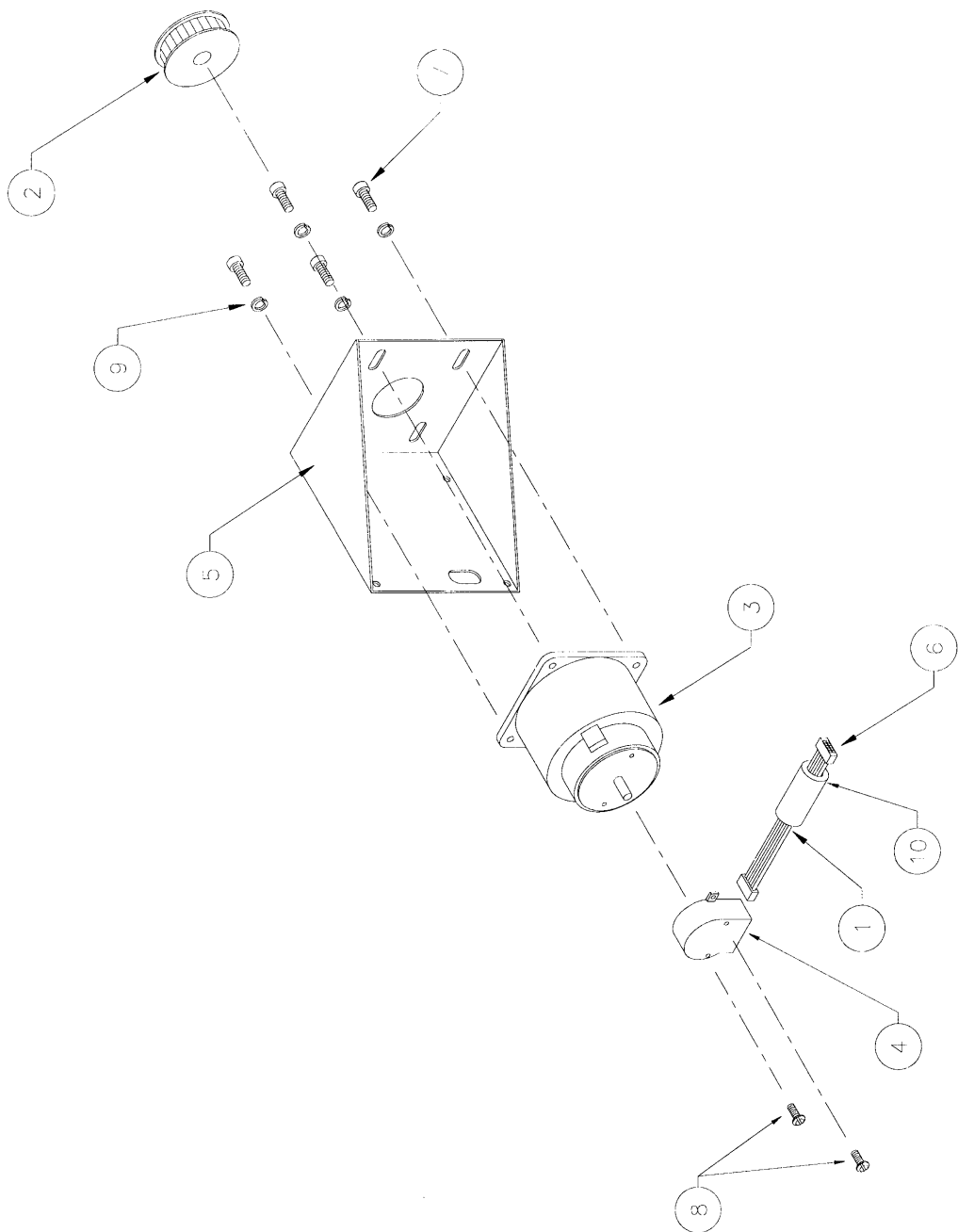
HEAD ASSEMBLY			
ITEM	PART NO.	DESCRIPTION	QTY.
15	P700607	HEAD INTERFACE BOARD, (PCB)	1
16	P700805	SPACER - #8-32-1.25 SLOT. ALUM.	2
17	P820056	1/8" CABLE CLIPS	1
18	P820066	1/4" CABLE CLIP - BLACK	4
19	P820521	BERG TERMINAL	2
20	P820562	3 CIRCUIT HOUSING	1
24	P840040	#4-40 X 3/4 PEM STUD SELF-CLINCHING	2
28	P840396	#4-40 X 3/16 PHIL PAN HD SCREW	1
29	P840409	#6-32X 3/4 PHIL. PAN HD SCREW	1
30	P840410	#6-32X 3/8 SLOTTED PAN HD SCREW	4
31	P840413	#6-32 X 3/8 PHIL PAN HD SCREW	1
32	P840434	#10-32 X 1/2 SOCKET HD CAP SCREW	4
33	P840510	#6 FLAT WASHER	5
34	P840511	#6 LOCKWASHER, INTERNAL TOOTH	5
37	P840523	#8 LOCKWASHER, SPLIT	5
38	P840530	#10 FLAT WASHER	4
39	P840715	#4-40 HEX NUT	1
40	P840720	#6-32 HEX NUT	1
41	P840721	#6-32 X 1/2 HEX MALE/FEMALE STAND	2
42	P840723	#6-32X3/8 HEX MALE/FEMALE STAND	2
44	P840734	#8-32 X 1 3/4" HEX SOC. C.S.	2
45	P840740	#10-32 HEX NUT	4
47	ZP701100	900XLC SWL SENSOR ASSEMBLY	1
48	ZP701110	900XLC DOOR ASSEMBLY	1
51	ZP701160	900XLC TENSION REL. SOLENOID ASSY.	1
52	ZP701180	900XLC STITCH WIDTH MOTOR ASSY.	1
54	P701102	RESET LEVER 900XLC	1
55	BN715M4	WASHER, M4 FLAT	1
56	P661045	SCREW, 9/64-40 X 8MM LG. SLOTTED PAN HEAD #21035	2

PARTS  
IDENTIFICATION



<b>HEAD ASSEMBLY</b>			
ITEM	PART NO.	DESCRIPTION	QTY.
5	P530238	TIE, CABLE SEWING HAD	1
6	P661001	CYLINDER ARM HEAD	1
7	P661269	XLC PRESSER FOOT	1
8	P700038	BELT, TIMING (165L050)	1
12	P700364	CABLE, GROUND SEWING HEAD LONG	1
14	P700417	PULLEY, TIMING (16L050)	1
21	P820700	MAGNET, SEWING HEAD	1
22	P840003	M4X10 HEX SOC CAP SCREW	4
23	P840004	M3X10 HEX SOCKET CAP SCREW	3
26	P840121	#8-32 X 1 1/4 SOC. HD.C.S.FULL THRD	1
31	P840413	#6-32 X 3/8 PHIL PAN HD SCREW	1
35	P840515	#4-40 FLAT WASHER	3
36	P840517	M4 SPLIT LOCK WASHER	4
37	P840523	#8 LOCKWASHER, SPLIT	5
43	P840730	#8-32 HEX NUT	3
46	P896026	ACCESS COVER OIL DECAL	1
49	ZP701120	900XLC NPS SENDER ASSEMBLY	1
50	ZP701140	900XLC NPS PICKUP ASSEMBLY	1
53	ZP701200	900XLC MAIN MOTOR ASSEMBLY	1

PARTS  
IDENTIFICATION

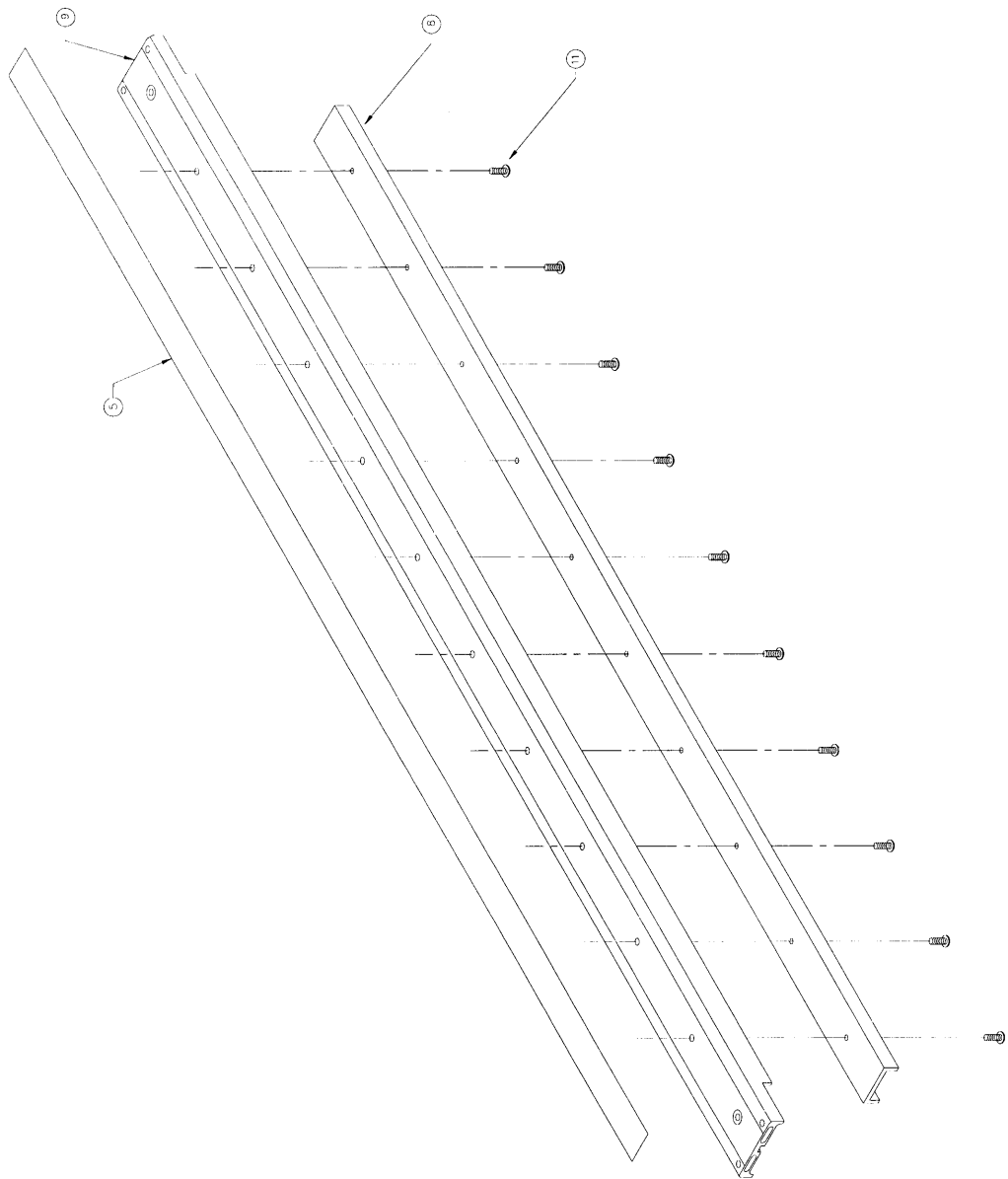




**MAIN MOTOR ASSEMBLY**

<b>MAIN MOTOR ASSEMBLY</b>			
ITEM	PART NO.	DESCRIPTION	QTY.
1	P700342	CABLE, CPU-ENCODER SIGNAL	1
2	P700417	PULLEY, TIMING (16L050)	1
3	P700563	SERVO MOTOR	1
4	P700564	ENCODER, OPTICAL	1
5	P700107	BRACKET, DRIVE MOTOR	1
6	P820500	CONNECTOR, 10 POS FEM BERG	1
7	P840060	1/4-28 X 1/2 SOC HD CAP SCREW	4
8	P840403	#4-40 X 1/4 PAN HD SCREW	2
9	P840580	1/4" LOCK WASHER	4
10	P701303	FERRITE BEAD, ENCODER	1

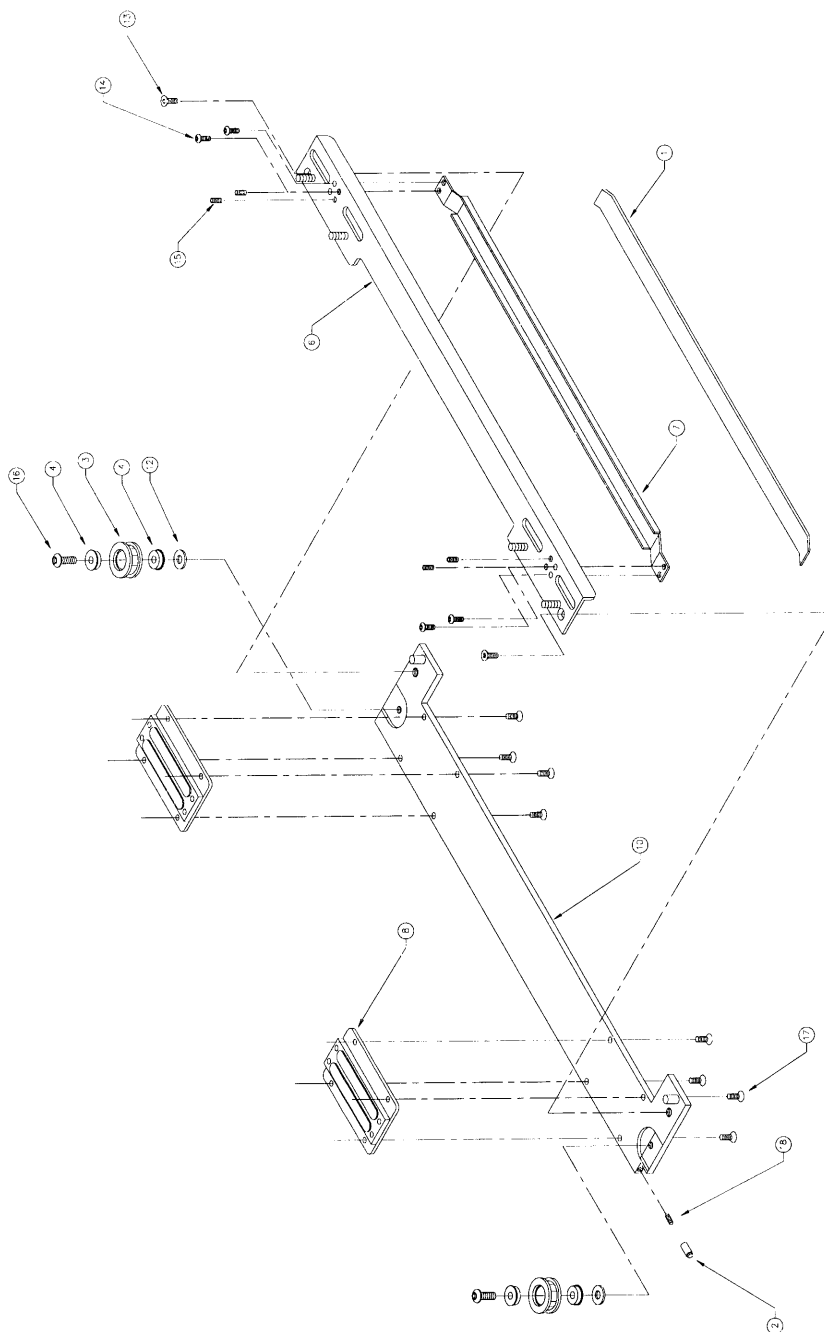
PARTS  
IDENTIFICATION



**PANTOGRAPH ARM ASSEMBLY**

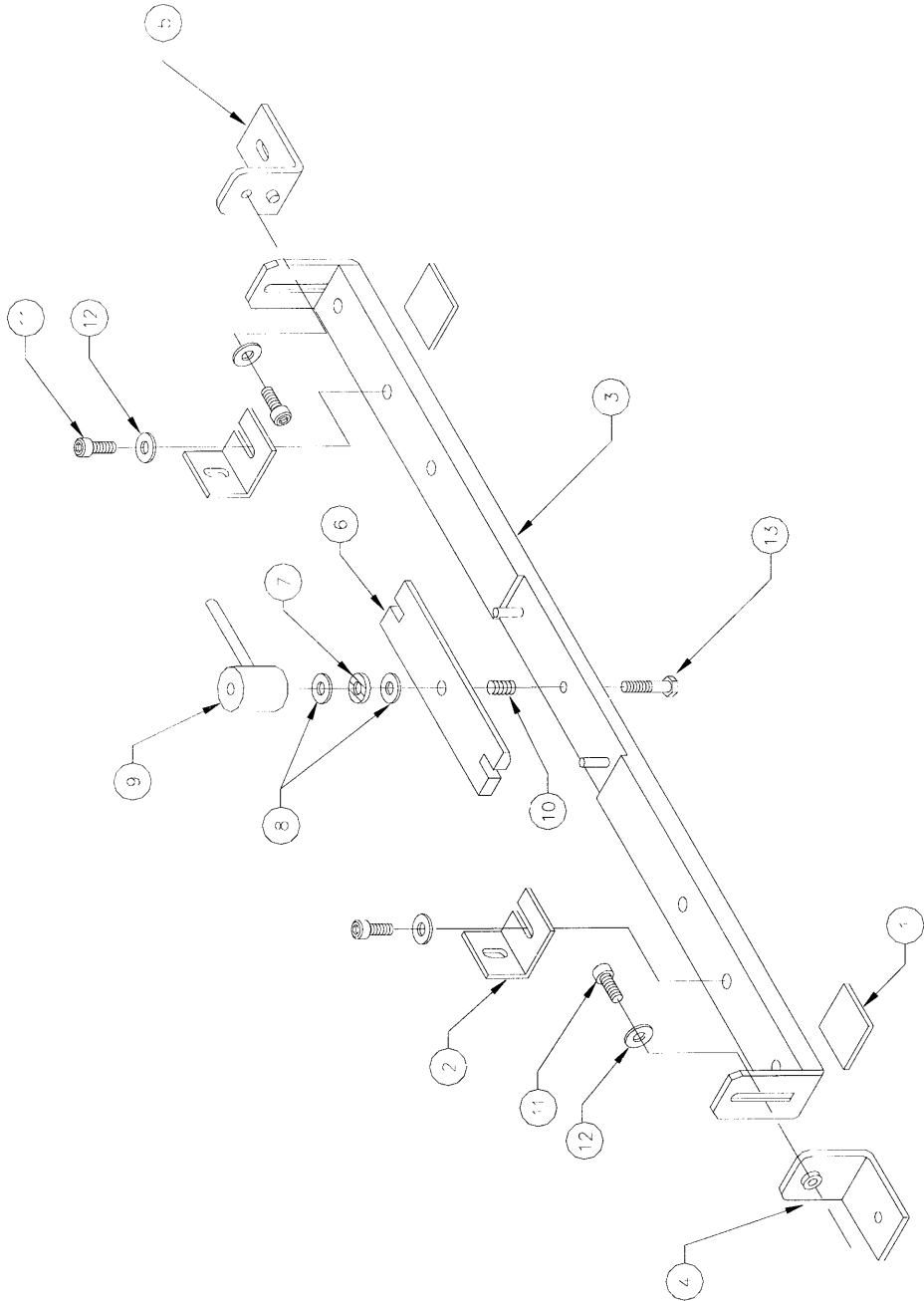
<b>PANTOGRAPH ARM ASSEMBLY</b>			
ITEM	PART NO.	DESCRIPTION	QTY.
5	P700901	DECAL, PANTO ARM	1
8	P720430	BEARING, SLIDE PACK	1
9	P720525	ARM, TUBULAR PANTOGRAPH	1
11	P840118	#8-32X5/16 HEX SOCKET BUTTON HEAD SCREW	10

PARTS  
IDENTIFICATION



PANTOGRAPH ARM ASSEMBLY			
ITEM	PART NO.	DESCRIPTION	QTY.
1	9P720005	FELT, TUBULAR PANTOGRAPH	3
2	P413015	MAGNET, BLOCK	1
3	P700410	PULLEY, TIMING (40MXL025)	2
4	P700462	BEARING, FLANGE ENGLISH	4
6	P722140	BRACKET, PANTO. TUBULAR MOUNT, STEEL	1
7	P722141	BRACKET, TUBULAR SUPPORT, STEEL	1
10	P720529	CARRIER, TUBULAR PANTO	1
12	P840556	WASHER, SHIM	2
13	P841000	#10-32X1/2 HEX SOCKET FLAT HEAD SCREW	2
14	P841001	#10-32X1/2 HEX SOCKET BUTTON HEAD SCREW	4
15	P841002	#10-32X1/4 HEX SOCKET CUP POINT SETSCREW	4
16	P841010	SCREW, 1/4-20 X 9/16 LG. HEX SOCKET BUTTON HEAD	2
17	P841020	M5X10MM HEX SOCKET FLAT HEAD SCREW	8
18	P841038	SCREW, #4-40 UNC-2A X 1/2" LG. CUP POINT SOCKET SET	1

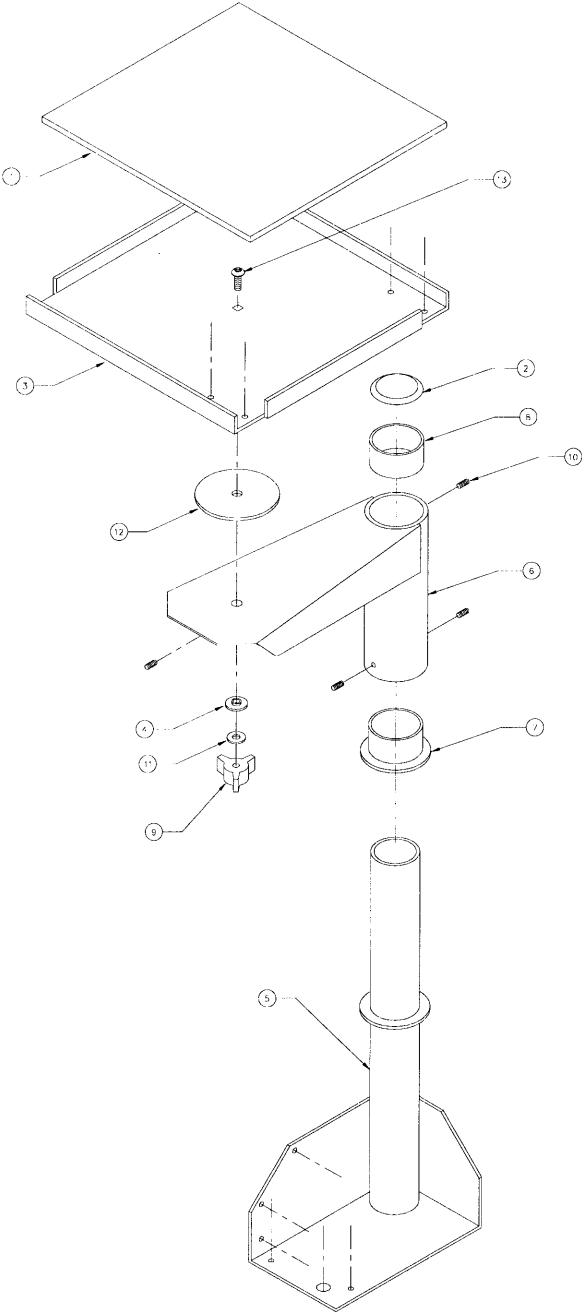
PARTS  
IDENTIFICATION



**MEISTERGRAM HOOP ADAPTER ASSEMBLY**

<b>MEISTERGRAM HOOP ADAPTER ASSEMBLY</b>			
ITEM	PART NO.	DESCRIPTION	QTY.
1	9P720005	FELT, TUBULAR PANTOGRAPH (1" LONG, 2 TIMES)	1
2	P700117	BRACKET, CAP FRAME/PANTO MNT	2
3	P700125	BRACKET, HOOP INTERFACE ADJ.	1
4	P700126	BRACKET, PANTO. RIGHT ADJ.	1
5	P700127	BRACKET, PANO. LEFT ADJ.	1
6	P700206	CLAMP PLATE, HOOP MOUNT	1
7	P700463	BEARING, THRUST, PANTO	1
8	P700464	BEARING, THRUST WASHER	2
9	P700634	CLAMPING KNOB/LEVER ASSY	1
10	P810053	HOOP CLAMP SPRING	1
11	P840073	#10-32X3/8 HEX SOCKET CAP SCREW	2
12	P840530	#10 FLAT WASHER	2
13	P840615	BOLT, 1/4-20 UNC-2A X 1 1/4" LG. HEXAGONAL HEAD	1

PARTS  
IDENTIFICATION

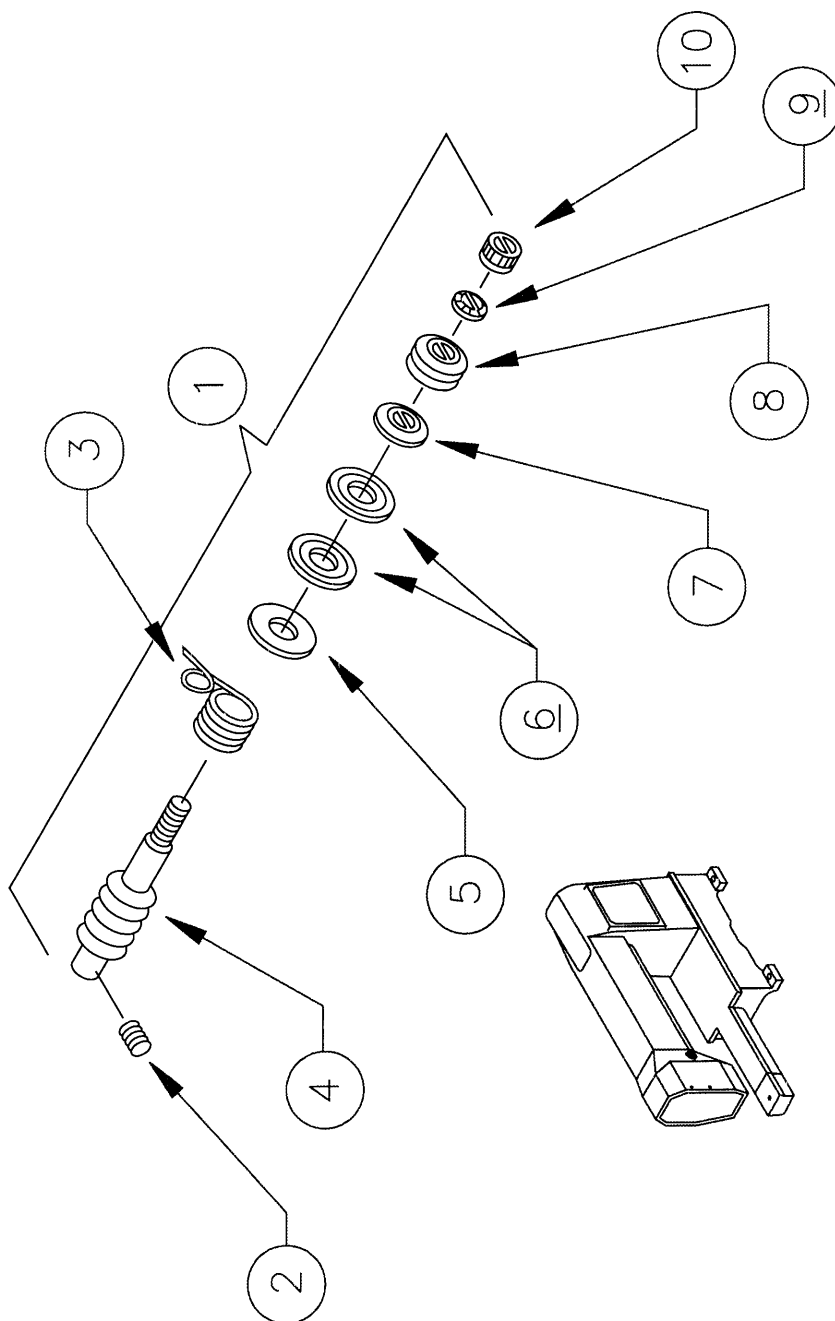




**CRT ARM ASSEMBLY**

<b>CRT ARM ASSEMBLY</b>			
ITEM	PART NO.	DESCRIPTION	QTY.
1	P670116	NON-SKID CRT MAT	1
2	P670127	CAP, DECORATIVE	1
3	P700014	TRAY, MONITOR	1
4	P700470	BUSHING, MONITOR TRAY SWIVEL	1
5	P700522	CRT, SUPPORT TUBE & BRACKET	1
6	P700523	CRT, ARM	1
7	P722432	BUSHING, CRT ARM FLANGED	1
8	P722433	BUSHING, CRT ARM	1
9	P820706	1/4-20 NUT DECORATIVE KNOB	1
10	P840061	#10-32X1/4 OVAL POINT SOCKET SETSCREW	4
11	P840501	1/4 SPRING TENSION WASHER	1
12	P840557	WASHER, NYLON, CRT TRAY	1
13	P840611	1/4-20X1 1/8 R.H. SHORT SQ NECK BLT	1

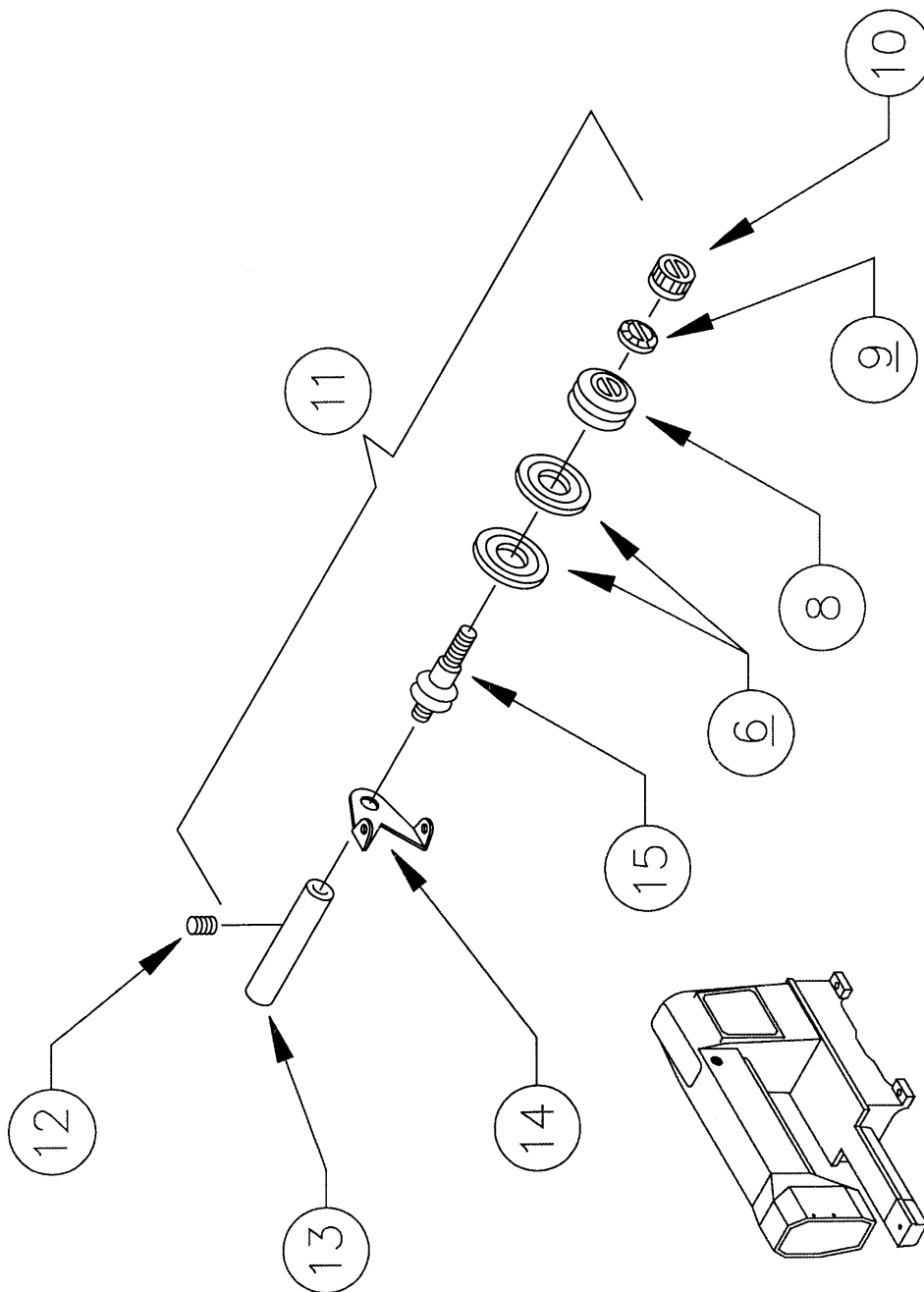
PARTS  
IDENTIFICATION



# TENSION ASSEMBLY

TENSION ASSEMBLY			
ITEM	PART NO.	DESCRIPTION	QTY.
1	P661052	TENSION ASSEMBLY COMPLETE	1
2	P661061	M4 X 8 X 0.7 SOCKET SETSCREW	1
3	P661054	CHECK SPRING (TAKE-UP SPRING)	1
4	P661053	TENSION STUD	1
5	P661055	INSULATING DISC	1
6	P661034	TENSION DISC	2
7	P661057	TENSION RELEASE DISC	1
8	P661035	TENSION SPRING	1
9	P661036	TENSION NUT WASHER	1
10	P661037	TENSION NUT	1

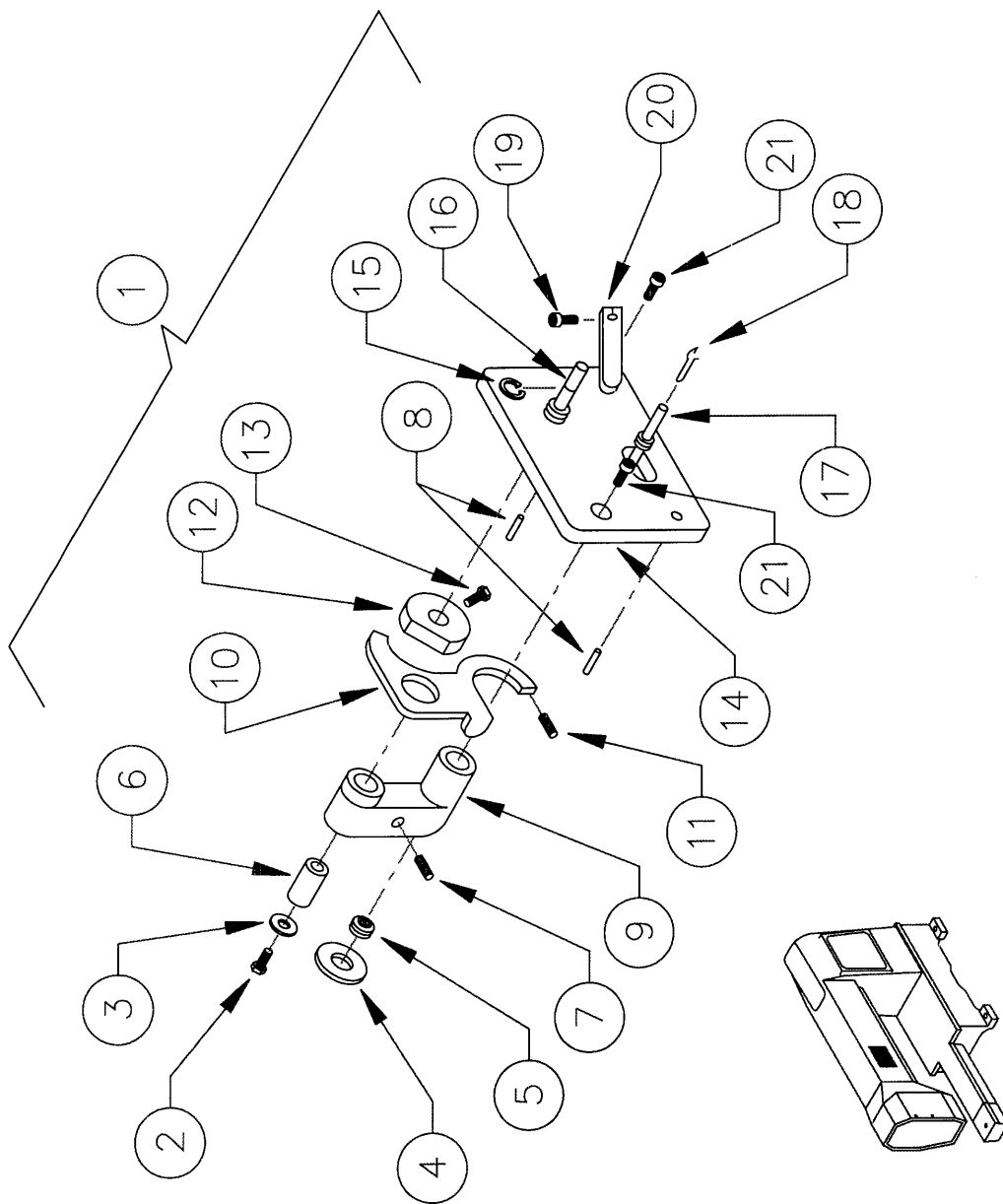
PARTS IDENTIFICATION



**BOBBIN WINDER TENSION ASSEMBLY**

<b>BOBBIN WINDER TENSION ASSEMBLY</b>			
<b>ITEM</b>	<b>PART NO.</b>	<b>DESCRIPTION</b>	<b>QTY.</b>
6	P661034	TENSION DISC	2
8	P661035	TENSION SPRING	1
9	P661036	TENSION NUT WASHER	1
10	P661037	TENSION NUT	1
11	P661030	COMPLETE WINDER TENSION ASSEMBLY	1
12	P661038	M6 X 6 X 0.8 SOCKET SETSCREW	1
13	P661031	TENSION POST	1
14	P661032	WINDER THREAD GUIDE	1
15	P661033	WINDER TENSION STUD	1

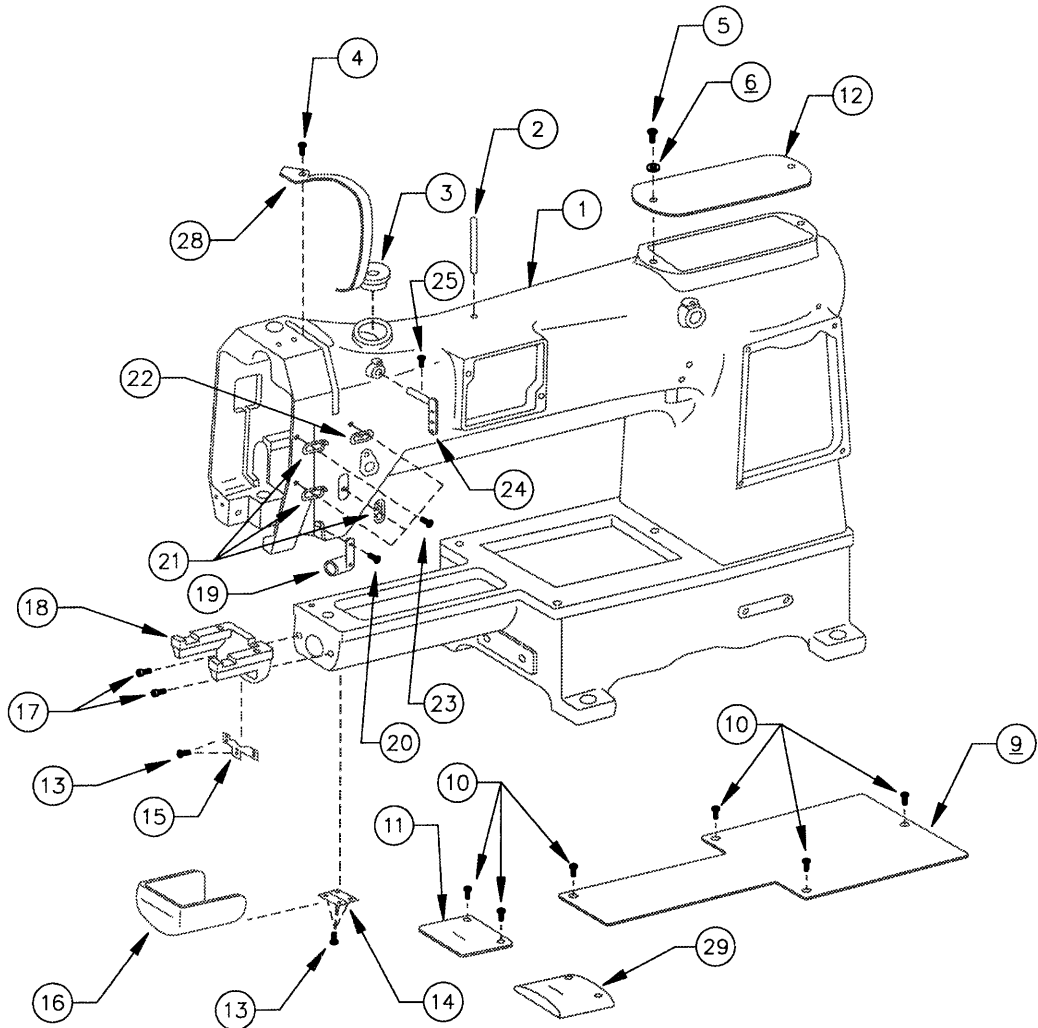
PARTS  
IDENTIFICATION



**BOBBIN WINDER ASSEMBLY**

<b>BOBBIN WINDER ASSEMBLY</b>			
ITEM	PART NO.	DESCRIPTION	QTY.
1	P661009	XLC BOBBIN WINDER	1
2	P661023	M4 X 20 X 0.7 SOCKET CAP SCREW	1
3	P661025	M4 FLAT WASHER	1
4	P661028	O-RING 15 ID X 25 OD	1
5	P661017	WINDER WHEEL	1
6	P661012	PIVOT LINK BUSHING	1
7	P661013	BOBBIN WINDER SPRING	1
8	P661026	ROLL PIN 3.5 DIA. X 16	2
9	P661011	BOBBIN WINDER PIVOT LINK	1
10	P661014	WINDER TRIP LEVER	1
11	P661015	WINDER TRIP SPRING	1
12	P661021	WINDER TRIP LEVER CAM	1
13	P661022	WINDER CAM STOP SCREW	1
14	P661010	BOBBIN WINDER MOUNTING PLATE	1
15	P661027	C-CLIP	1
16	P661020	WINDER TRIP ARM SHAFT	1
17	P661016	BOBBIN WINDER SHAFT	1
18	P661018	BOBBIN KEY	1
19	P661024	M4 X 12 X 0.7 SOCKET CAP SCREW	1
20	P661019	WINDER TRIP ARM	1
21	P661029	M4 X 10 X 0.7 SOCKET CAP SCREW	2

PARTS  
IDENTIFICATION



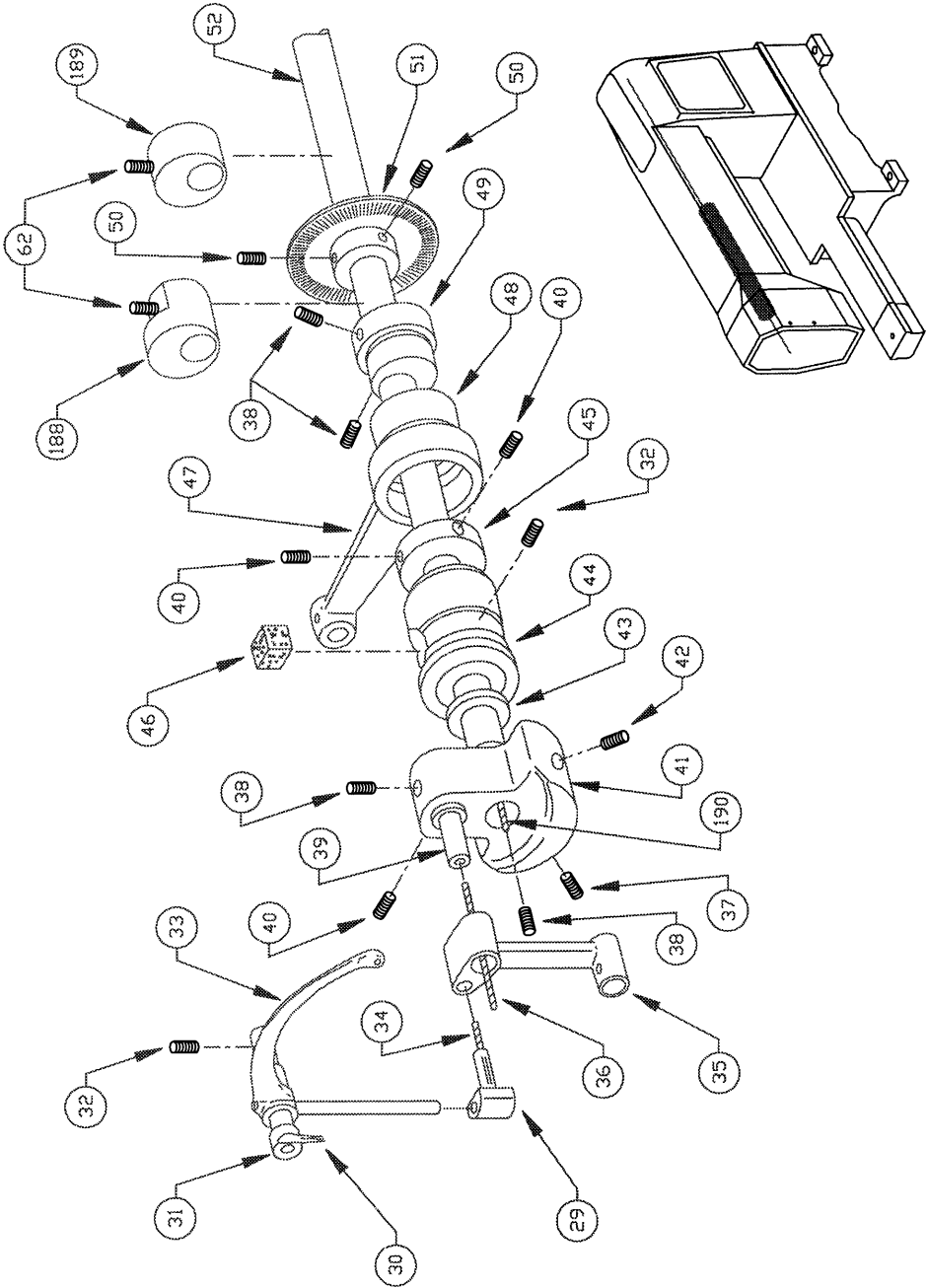


**SEWING HEAD PARTS - VIEW 1**

<b>SEWING HEAD PARTS - VIEW 1</b>			
ITEM	PART NO.	DESCRIPTION	QTY
1	ZP661000	CYLINDER ARM HEAD	1
2	P661039	TOP THREAD GUIDE	1
3	P661074	OIL PLUG	1
4	P661073	M4 X 6 X 0.7 PHILLIPS TRUSS HEAD SCREW	1
5	0661076	TOP COVER PLATE SCREW	1
6	P661077	WAVEY WASHER 6.4 ID X 11 OD	1
9	P661082	WORK PLATE	1
10	P661081	11/64-40 X 9 SLOT OVAL	6
11	P661080	THROAT PLATE	1
12	P661075	TOP COVER PLATE	1
13	P661086	M3 X 5 X 0.5 PHILLIPS PAN HEAD SCREW	6
14	P661085	HOOK COVER HINGE	1
15	P661087	HOOK COVER HATCH	1
16	P661084	HOOK COVER	1
17	P661008	M5 X 14 X 0.8 SOCKET CAP SCREW	2
18	P661007*	NEEDLE PLATE BRACKET	1
19	P413865	SPRING LOADED THREAD GUIDE	1
20	P661069	9/64-40 X 6 SLOT FLAT HEAD SCREW	1
21	661043	FRONT THREAD GUIDE	2
22	P661044	REAR THREAD GUIDE	1
23	P661045	9/64-40 X 8 SLOT PAN HEAD SCREW	4
24	P661040	3-HOLE THREAD GUIDE	1
25	P661041	M4 X 4 X 0.7 SOCKET SETSCREW	1
28	P661072	TAKE-UP LEVER GUARD	1
29	P661258	HOOK SUPPORT PLATE	1
30	P661050	SETSCREW FOR SUPPORTING PLATE	1

PARTS  
IDENTIFICATION

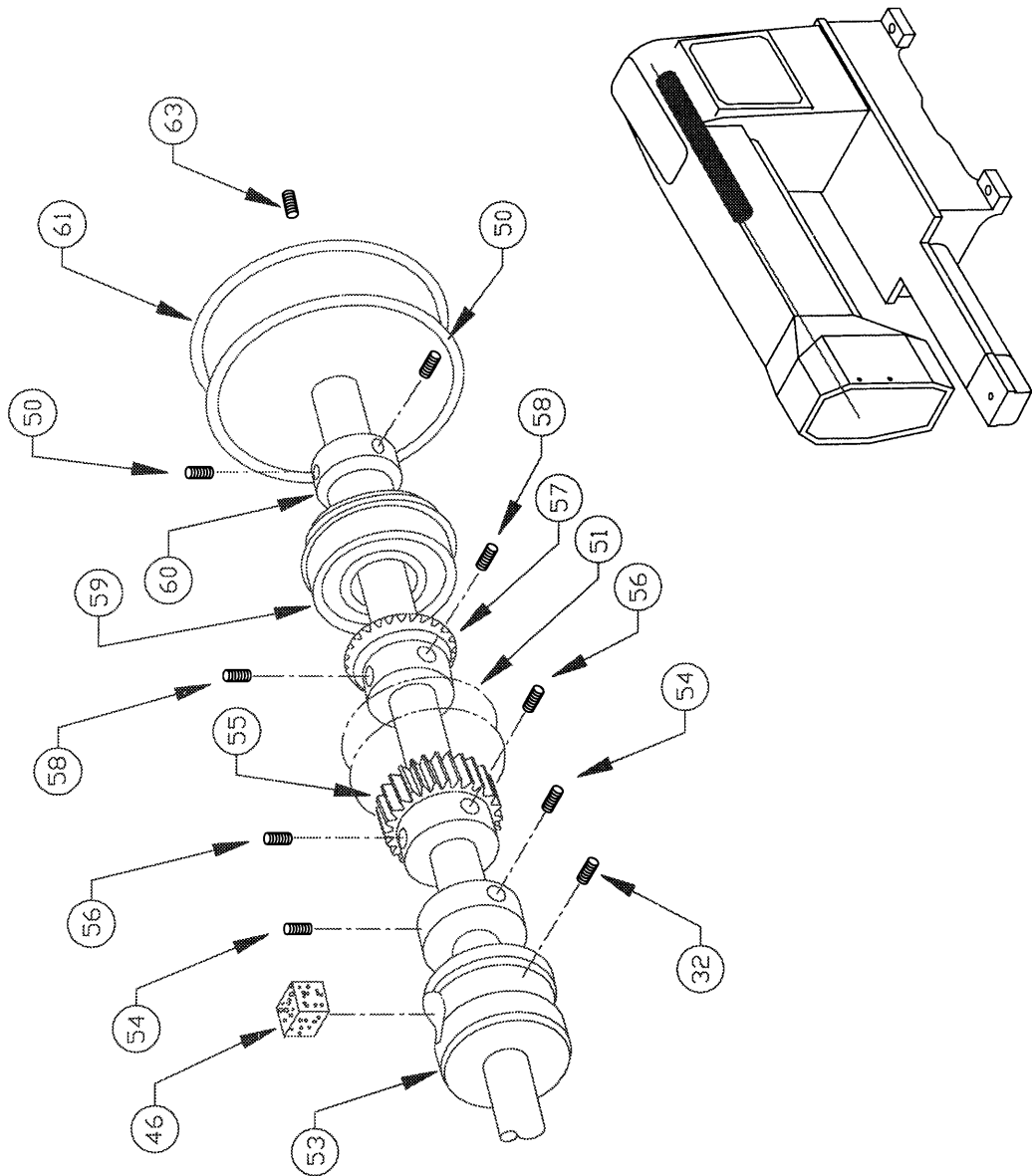
\*This part has changed; you will need to order 2 pieces to replace it. The new part numbers are P661258 Hook Supporting Plate (Position Finger) and P661050 Setscrew for Hook Supporting Plate.



**SEWING HEAD PARTS - VIEW 2A**

<b>SEWING HEAD PARTS - VIEW 2A</b>			
ITEM	PART NO.	DESCRIPTION	QTY.
29	P413559	TAKE-UP LEVER DRIVER STUD	1
30	P661095	3.5 DIAMETER X 45 LONG OIL WICK	1
31	P413555	TAKE-UP LEVER HINGE STUD	1
32	P661094	M6 X 10 X 1.0 SOCKET SETSCREW	3
33	P413650	TAKE-UP LEVER	1
34	P661097	3.5 DIAMETER X 25 LONG OIL WICK	1
35	P413274	NEEDLE BAR CONNECTING LINK	1
36	P661099	3.5 DIAMETER X 55 LONG OIL WICK	1
37	P661104	9/32-28 X 11 SCREW	1
38	P661102	15/64-28 X 4.5 SLOT SETSCREW	4
39	P413269	NEEDLE BAR CONNECTING LINK STUD	1
40	P661101	15/64-28 X 7 SLOT SETSCREW	3
41	P661103	NEEDLE BAR CRANK	1
42	P661105	15/64-28 X 13 SLOT SETSCREW	1
43	P661106	CRANK FRICTION WASHER	1
44	P413310	FRONT ARM SHAFT BUSHING	1
45	P661113	FRONT COLLAR	1
46	P661112	OIL PAD	2
47	P413472	ECCENTRIC/CAM	1
48	P413473	NEEDLE BEARING	1
49	P413471	LIFTING ECCENTRIC	1
50	P0661038	M6 X 6 X 0.8 SOCKET SETSCREW	4
51	P0661119	WINDER FRICTION DISC	1
52	P661107	ARM SHAFT	2
62	P661134	M6 X 12 X 1.0 SOCKET SETSCREW	6
188	P661268	BALANCE WEIGHT I	1
189	P661267	BALANCE WEIGHT II	1
190	P661108	OIL WICK	1

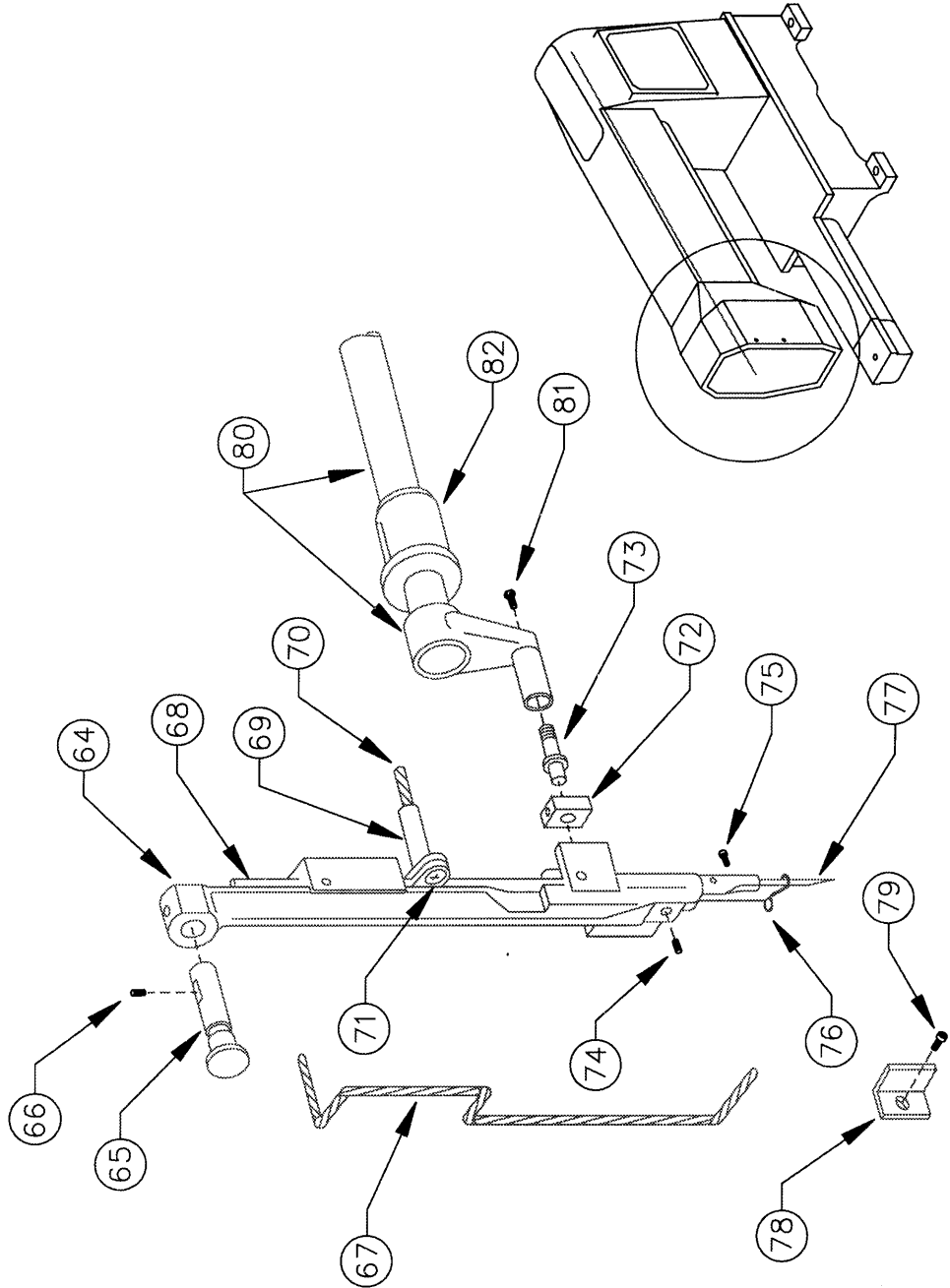
PARTS  
IDENTIFICATION



**SEWING HEAD PARTS - VIEW 2B**

<b>SEWING HEAD PARTS - VIEW 2B</b>			
ITEM	PART NO.	DESCRIPTION	QTY.
32	P661094	M6 X 10 X 1.0 SOCKET SETSCREW	3
46	P661112	OIL PAD	2
50	P661038	M6 X 6 X 0.8 SOCKET SETSCREW	4
51	ZP701120	NPS SENDER ASSEMBLY	1
53	P413602	MIDDLE ARM SHAFT BUSHING	1
54	P661125	M6 X 8 X 1.0 SOCKET SETSCREW	2
55	P413751	FEED COLLAR	1
56	P413609	1/4-40 X 6 SLOT SETSCREW	2
57	P661128	SPIRAL ARM SHAFT GEAR	1
58	P413609	1/4-40 X 6 SLOT SETSCREW	2
59	P661130	REAR ARM SHAFT BEARING	1
60	P661131	ARM SHAFT BEARING COLLAR	1
61	P661133	BALANCE WHEEL	1
63	P661135	5/16-24X15 BALANCE WHEEL ADJUSTING SCREW	1

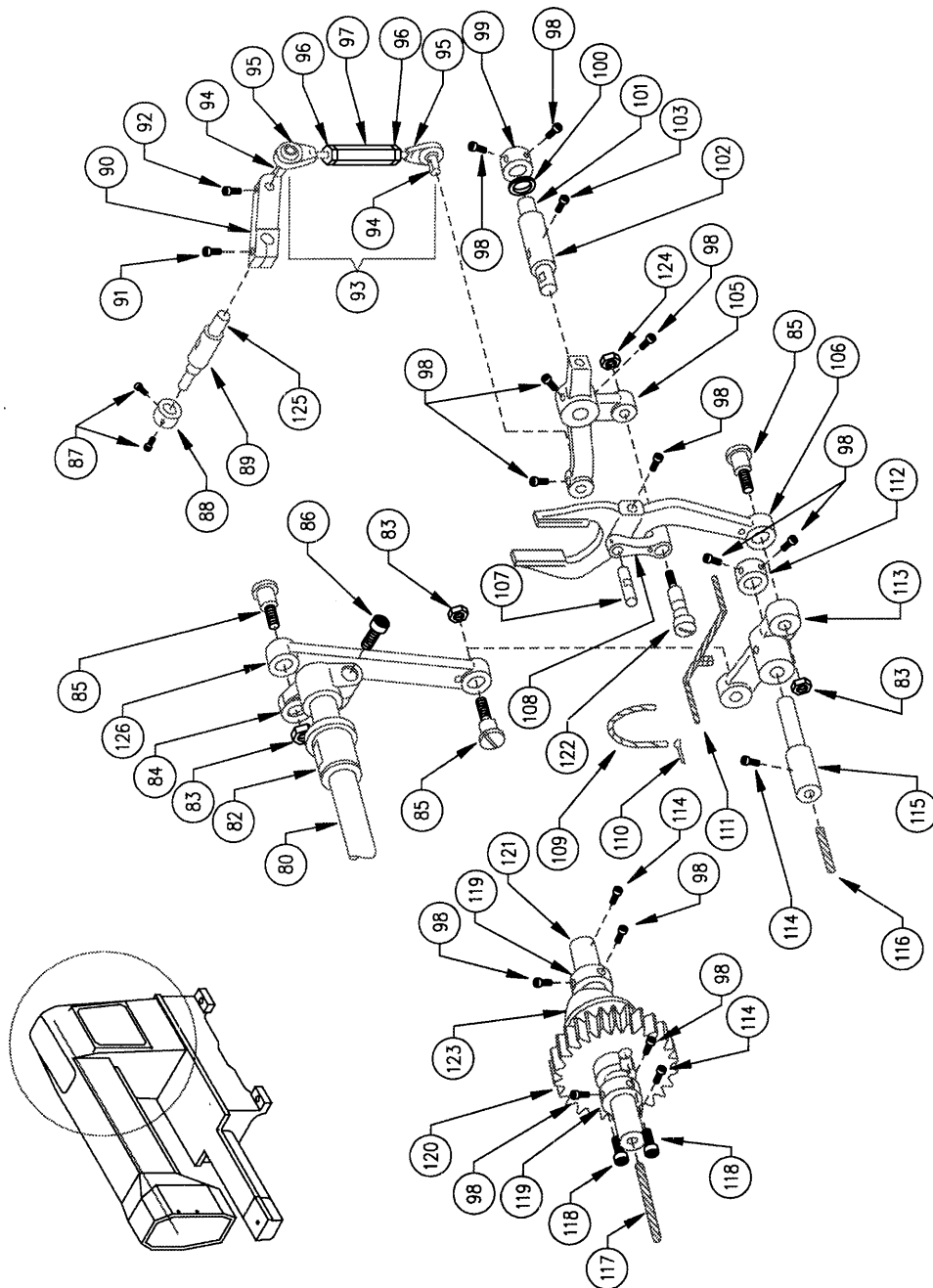
PARTS  
IDENTIFICATION



**SEWING HEAD PARTS - VIEW 3A**

<b>SEWING HEAD PARTS - VIEW 3A</b>			
ITEM	PART NO.	DESCRIPTION	QTY.
64	P642510	NEEDLE BAR FRAME	1
65	P413527	HINGE PIN	1
66	P661094	M6 X 10 X 1.0 SOCKET SETSCREW	1
67	P661139	3.5 DIAMETER X 270 LONG OIL WICK	1
68	P661144	NEEDLE BAR	1
69	P413278	NEEDLE BAR CONNECTING STUD - COMES W/ P413279	1
70	P661147	3.5 DIAMETER X 35 LONG OIL WICK	1
71	P413279	SCREW	1
72	P413330	NEEDLE BAR FRAME SLIDE BLOCK	1
73	P413328	NEEDLE BAR FRAME BLOCK STUD	1
74	P661041	M4 X 4 X 0.7 SOCKET SETSCREW	1
75	P413535	NEEDLE SCREW	1
76	P413860	LOWER ARM THREAD GUIDE	1
77	SEE CATALOG	NEEDLE	1
78	P413308	NEEDLE BAR FRAME POSITION BRACKET	1
79	P661141	M4 X 6 X 0.7 SOCKET CAP SCREW	1
80	P661150	NEEDLE BAR ROCK FRAME SHAFT	1
81	P413329	SETSCREW	1
82	P661154	ROCK FRAME SHAFT BUSHING	2
83	ZP641501	MULTI EMBLEM CONVERSION ASSEMBLY (NEEDLE BAR FRAME...)	1

PARTS  
IDENTIFICATION

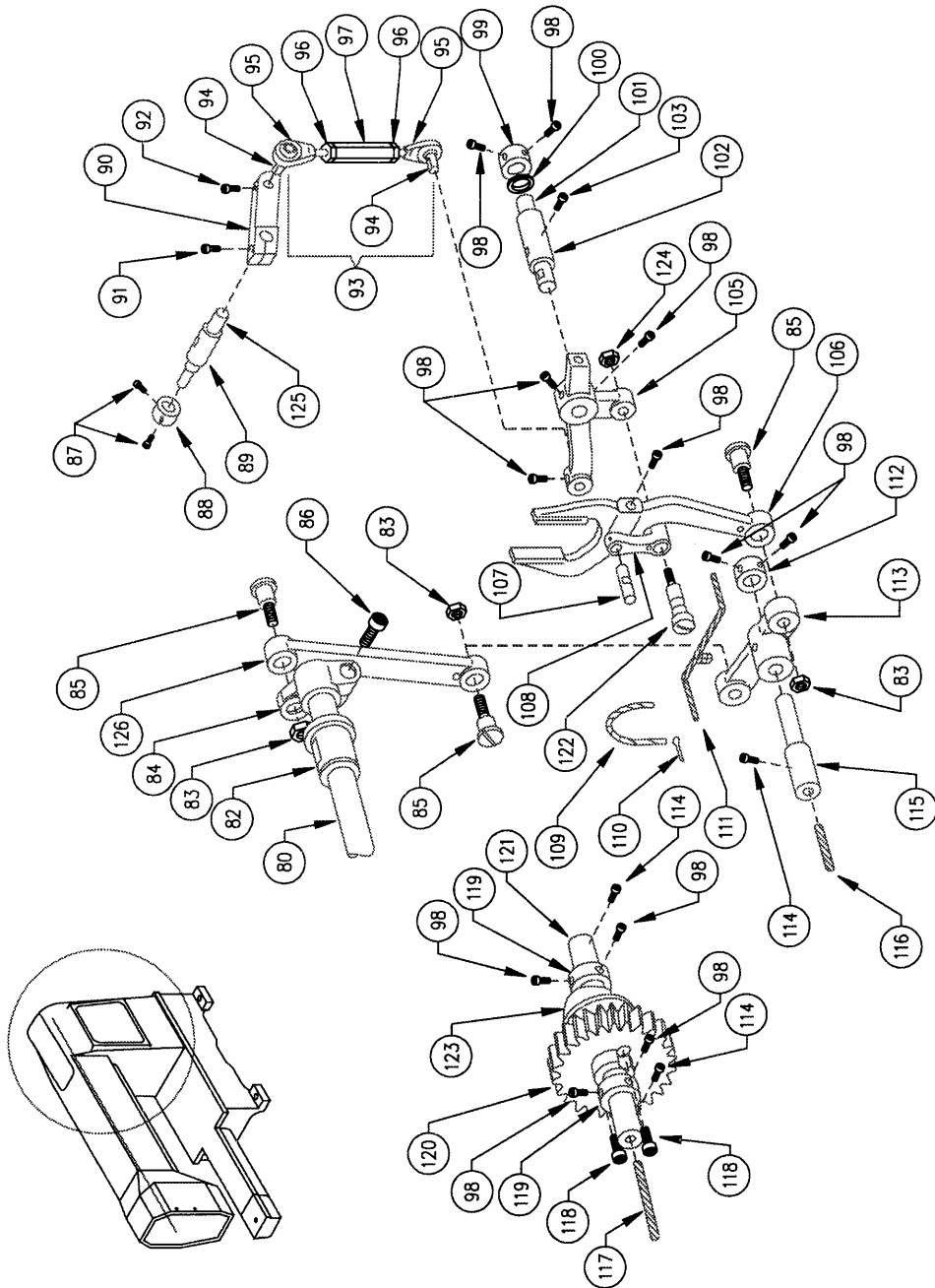




**SEWING HEAD PARTS - VIEW 3B**

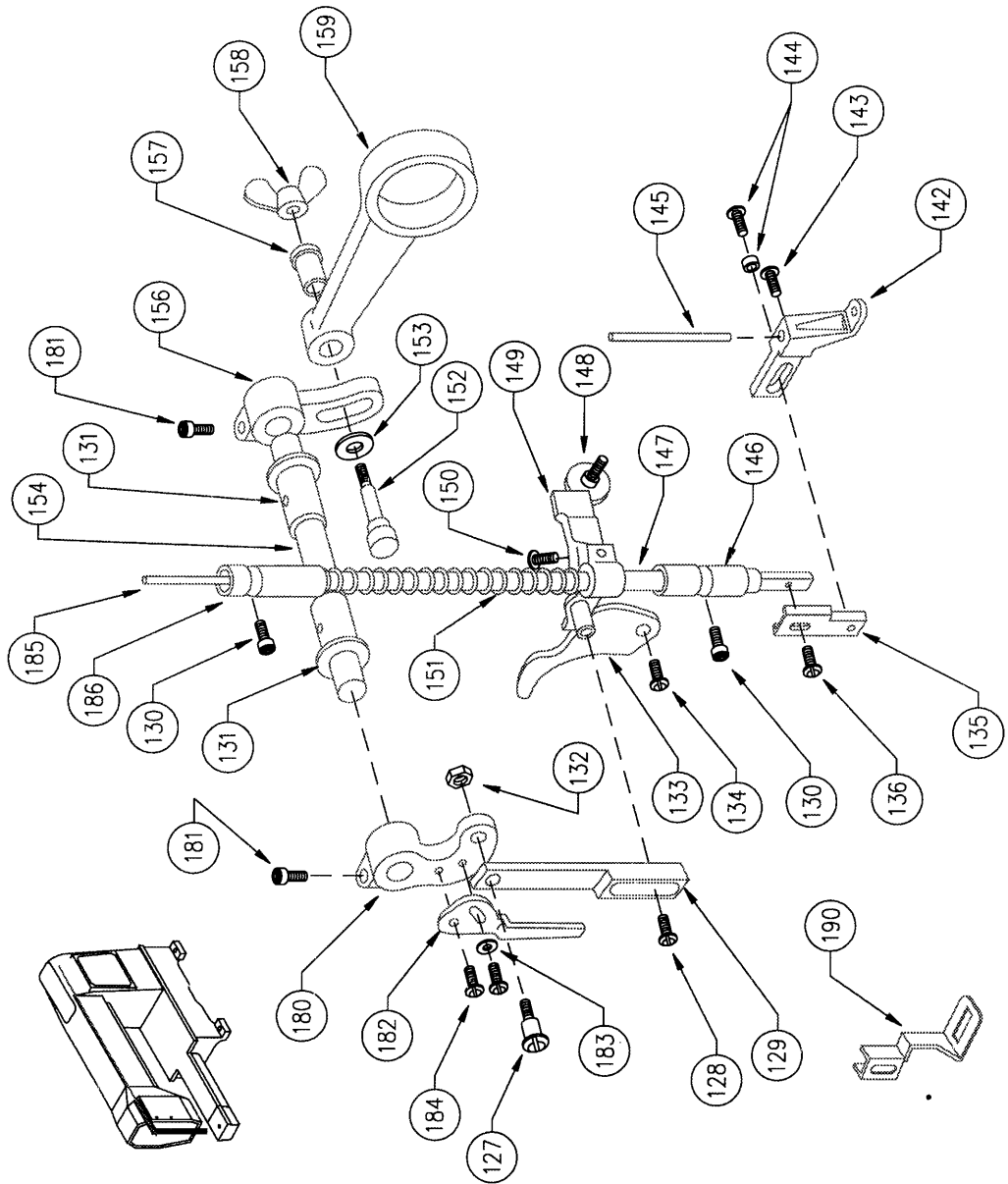
<b>SEWING HEAD PARTS - VIEW 3B</b>			
ITEM	PART NO.	DESCRIPTION	QTY.
80	P661150	NEEDLE BAR ROCK FRAME SHAFT	1
82	P661154	NEEDLE BAR ROCK FRAME SHAFT BUSHING	2
83	P413247	HINGE NUT	2
84	P661155	NEEDLE BAR SHAFT CRANK	1
85	P413660	HINGE SCREW	3
86	P661156	M6 X 20 X 1.0 SOCKET CAP SCREW	1
87	P661195	COLLAR SETSCREW	2
88	P661194	COUPLING SHAFT COLLAR	1
89	P413735	COUPLING DRIVE BUSHING	1
90	P661190	LIFTING CRANK	1
91	P661024	M4 X 12 X 0.7 SOCKET CAP SCREW	1
92	P661041	M4 X 4 X 0.7 SOCKET SETSCREW	1
93	P661184	STITCH WIDTH ROD ASSEMBLY	1
94	P413776	BEARING PIN	2
95	P413775	BEARING PIN CONNECTING BRACKET	2
96	P413206	LOCK NUT	2
97	P661185	STITCH WIDTH ARM	1
98	P661163	M4 X 5 X 0.8 SOCKET SETSCREW	12
99	P661182	COLLAR	1
100	P661181	WAVEY WASHER	1
101	P413763	SUPPORT SHAFT	1
102	P413764	SUPPORT SHAFT BUSHING	1
103	P551984	M6 X 10 X 1.0 SOCKET SETSCREW	1
105	P661175	STITCH WIDTH REGULATING ARM	1
106	P413758	STITCH WIDTH CAM FOLLOWER	1
107	P413760	SHAFT	1
108	P413759	PIVOT LOCK	1
109	P661171	3.5 DIAMETER X 75 LONG OIL WICK	1
110	P413585	COTTER PIN	1

PARTS  
IDENTIFICATION



<b>SEWING HEAD PARTS - VIEW 3B</b>			
ITEM	PART NO.	DESCRIPTION	QTY.
111	P661167	3.5 DIAMETER X 200 LONG OIL WICK	1
112	P661162	THRUST COLLAR	1
113	P413782	PIVOT CONNECTING BRACKET	1
114	P661094	M6 X 10 X 1.0 SOCKET SETSCREW	3
115	P413783	PIVOT SHAFT	1
116	P661095	3.5 DIAMETER X 45 LONG OIL WICK	1
117	P661201	3.5 DIAMETER X 100 LONG OIL WICK	1
118	P661008	M5 X 14 X 0.8 SOCKET CAP SCREW	2
119	P661202	SHAFT COLLAR	2
120	P413752	STITCH WIDTH DRIVE GEAR	1
121	P413754	STITCH WIDTH CAM SHAFT	1
122	P661173	PIVOT LINK SHOULDER SCREW	1
123	P413753	STITCH WIDTH CAM	1
124	P661174	15/64-28 HEX NUT	1
125	P413779	COUPLING DRIVE SHAFT	1
126	P413784	NEEDLE BAR ROCK SHAFT CRANK CONNECTOR	1

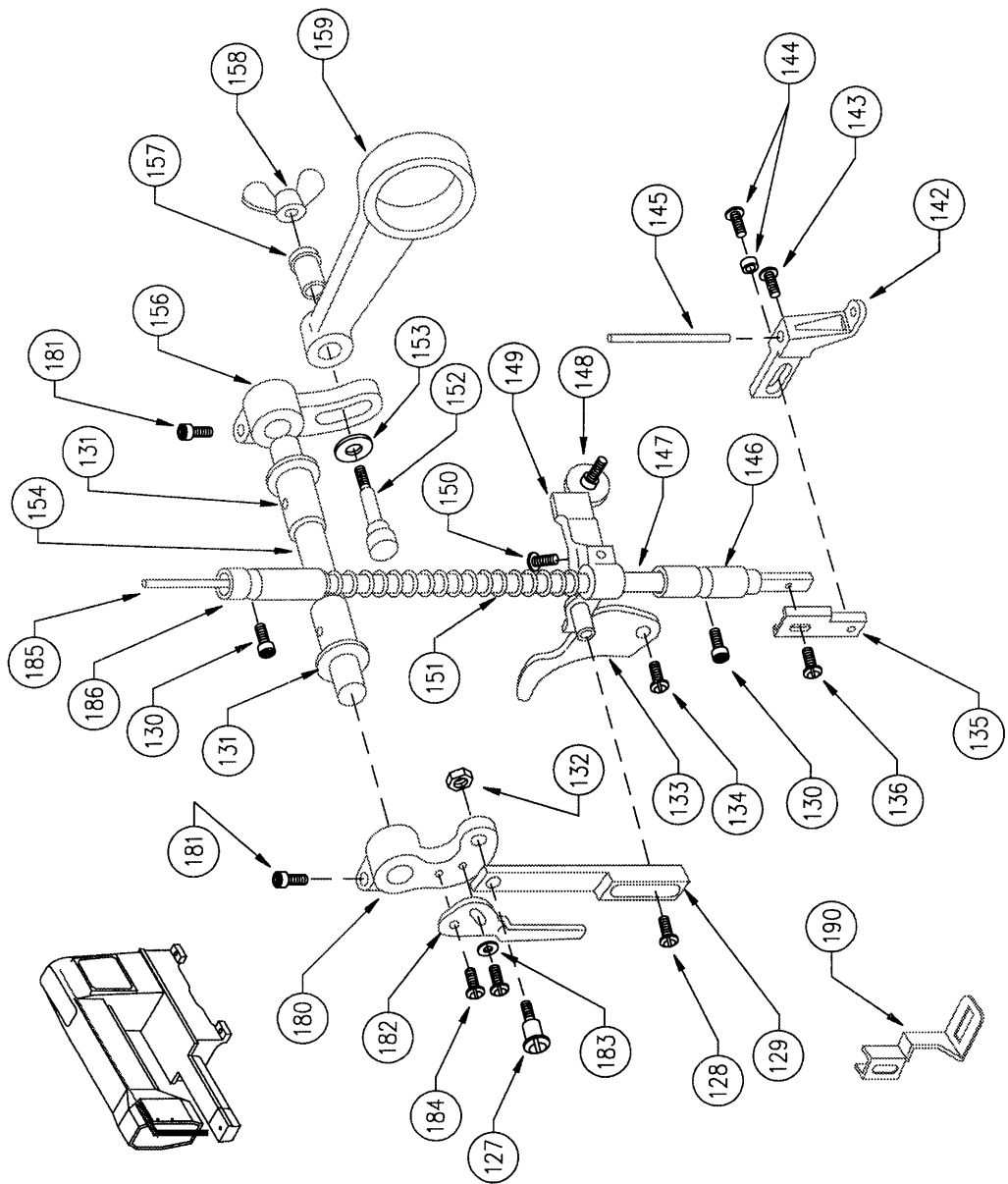
PARTS  
IDENTIFICATION



**SEWING HEAD PARTS - VIEW 4A**

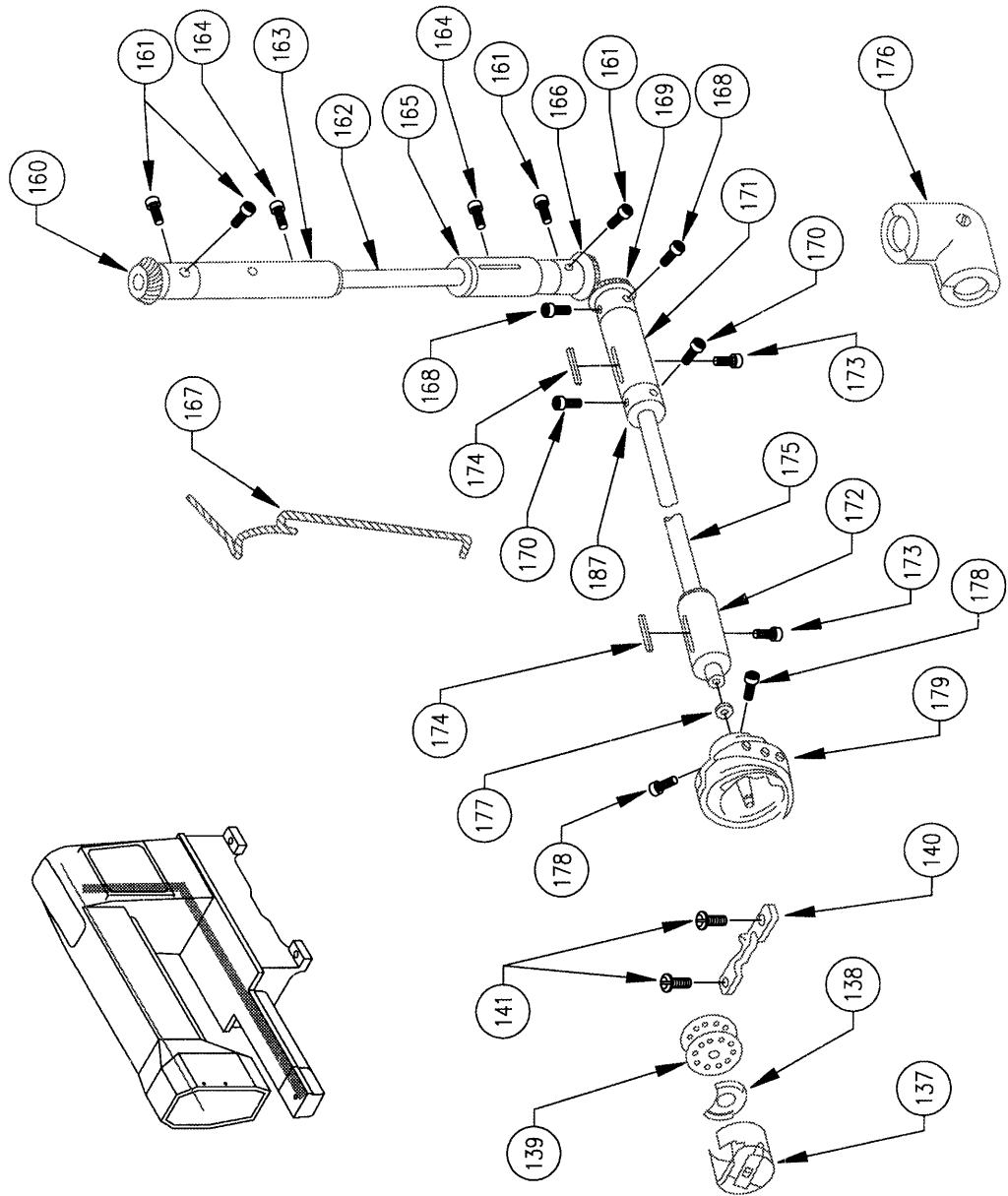
<b>SEWING HEAD PARTS - VIEW 4A</b>			
ITEM	PART NO.	DESCRIPTION	QTY.
127	P413539	7/32"-32 STUD SCREW	1
128	P661237	3/16"-32 CAP SCREW	1
129	P661234	VIBRATING ECCENTRIC CAM ROD	1
130	P661221	M6 X 8 SETSCREW	2
131	P413260	VIBRATING ECCENTRIC CAM SHAFT BUSHING	2
132	P413249	NUT	1
133	P661222	PRESSER BAR LIFT LEVER	1
134	P661223	3/16"-32 STUD SCREW	1
135	P661231	VIBRATING PRESSER FOOT GUIDE BAR BRACKET	1
136	P413847	9/64"-40 X 8 SETSCREW	1
142	P641503	VIBRATING PRESSER FOOT	1
143	P840045	4-40X3/16 SOCKET	1
144	P661233	9/64"-40 VIBRATING PRESSER FOOT STUD SCREW	1
145	P642501	VIBRATING PRESSED FOOT GUIDE BAR (JUMP FOOT ROD)	1
146	P661220	PRESSER BAR LOWER BUSHING	1
147	P661217	PRESSER BAR	1
148	P661226	1/4"-24 GUIDE SCREW	1
149	P661224	PRESSER BAR BRACKET	1
150	P661225	11/64"-32 SETSCREW	1
151	P661227	PRESSER BAR SPRING	1
152	P661210	M5 JOINT SCREW	1
153	P661209	DB-7L JOINT WASHER	1
154	P413788	VIBRATING ECCENTRIC CAM SHAFT	1
156	P661206	VIBRATING ECCENTRIC CAM SHAFT REAR ADJUSTMENT ARM	1
157	P413474	JOINT BUSHING	1
158	P661211	M5 JOINT NUT	1

PARTS  
IDENTIFICATION



SEWING HEAD PARTS - VIEW 4A			
ITEM	PART NO.	DESCRIPTION	QTY.
159	P413472	ECCENTRIC/CAM	1
180	P661212	VIBRATING ECCENTRIC CAM SHAFT FRONT ADJUSTMENT ARM	1
181	P661207	M6 X 15 SETSCREW	1
182	P701102	RESET LEVER, 900XLC	1
183	P661216	M4 WASHER	1
184	P661045	9/64"-40 X 8 RESET LEVER SETSCREW	2
185	P661218	3.5 X L150 OIL WICK	1
186	P413284	PRESSER BAR UPPER BUSHING	1
190	P661269	LARGE PRESSER FOOT	1

PARTS  
IDENTIFICATION

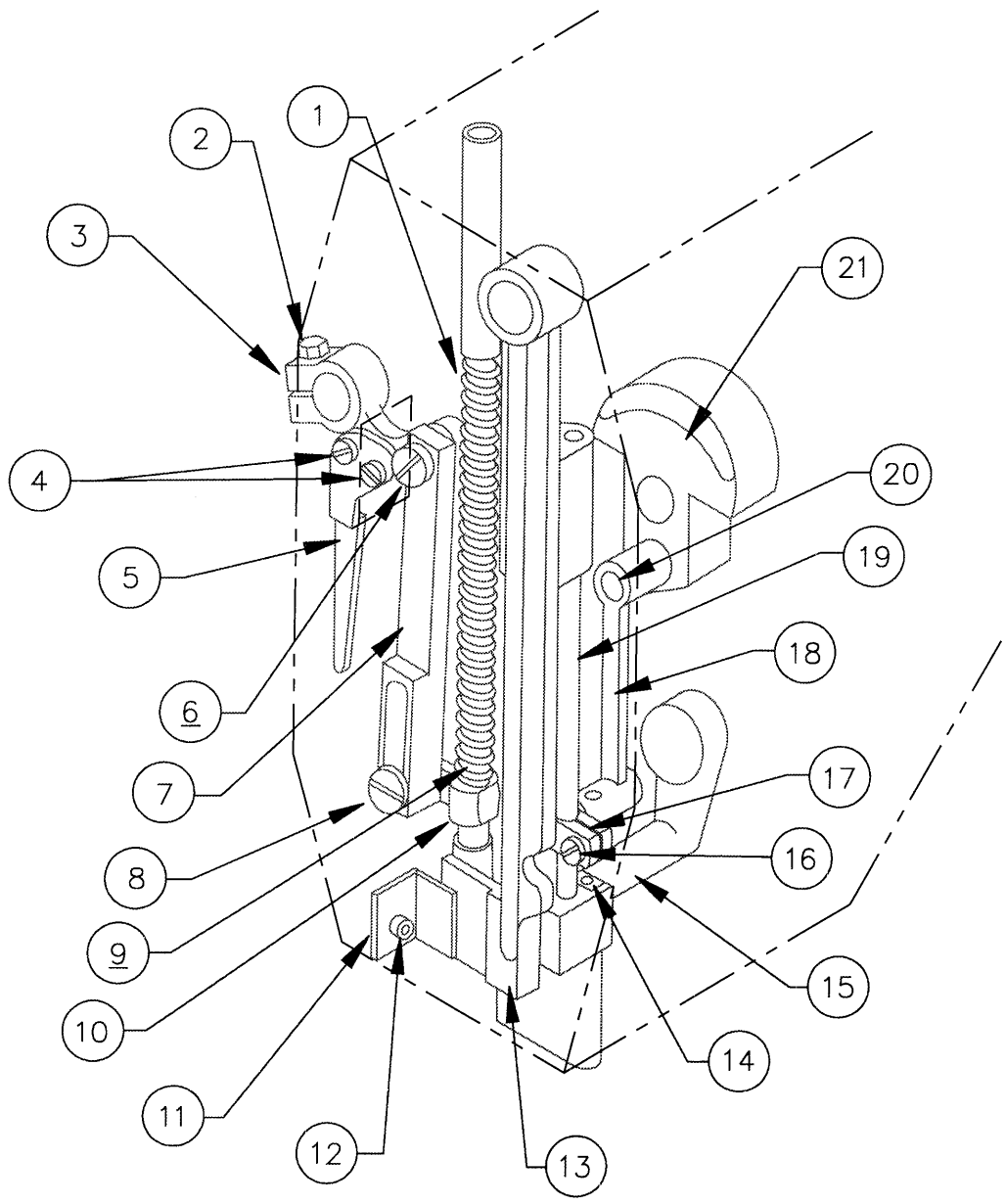




**SEWING HEAD PARTS - VIEW 4B**

<b>SEWING HEAD PARTS - VIEW 4B</b>			
ITEM	PART NO.	DESCRIPTION	QTY.
137	P413830	BOBBIN CASE ASSEMBLY	1
138	P661275	XL OVERSPRING PROTECTOR	1
139	P413670	BOBBIN	1
140	KC220641	LONG POSITION FINGER	1
141	P661050	9/64" - 40 X 8 SETSCREW	1
160	P661243	ARM SHAFT UPRIGHT SPIRAL GEAR	1
161	P661244	1/4" - 40 X 5 SETSCREW	4
162	P661238	ARM SHAFT UPRIGHT	1
163	P413614	UPPER ARM SHAFT UPRIGHT BUSHING	1
164	P661038	M6 X 6 SETSCREW	2
165	P413615	LOWER ARM SHAFT UPRIGHT BUSHING	1
166	P661245	LOWER ARM SHAFT GEAR	1
167	P661108	3.5 X L160 OIL WICK	1
168	P661244	1/4" - 40 X 5 SETSCREW	2
169	P661247	LOWER SHAFT SPIRAL GEAR	1
170	P661256	1/4" - 40 X 4 SETSCREW	2
171	P661252	REAR HOOK DRIVE SHAFT BUSHING	1
172	P661251	FRONT HOOK DRIVE SHAFT BUSHING	1
173	P661096	M6 X 10 SETSCREW	2
174	P661253	HOOK DRIVE SHAFT FELT	2
175	P661250	HOOK DRIVE SHAFT	1
176	P661249	LOWER GEAR COVER ASSEMBLY	1
177	P661259	ROTATING HOOK ASSEMBLY FELT	1
178	P413827	SETSCREW	2
179	P413820	ROTATING HOOK ASSEMBLY	1
187	P661255	HOOK DRIVE SHAFT COLLAR	1
188	P661258	SHORT POSITION FINGER	1


 PARTS  
IDENTIFICATION



**SEWING HEAD PARTS - FRONT VIEW**

<b>SEWING HEAD - FRONT VIEW</b>			
ITEM	PART NO.	DESCRIPTION	QTY
1	P661227	PRESSER BAR SPRING	1
2	P661207	M6 X 15 X 10 SOCKET HEAD CAP SCREW	1
3	P661212	ECCENTRIC CAM LINK	1
4	P661045	9/64-40 PAN HEAD SCREW	2
5	P701102	RESET LEVER, 900XLC	1
6	P413539	CONNECTING LINK SHOULDER SCREW	1
7	P661234	PRESSER BAR LIFT LINK	1
8	P661237	LIFT LINK SCREW	1
9	P661217	PRESSER BAR	1
10	P661224	PRESSER BAR GUIDE BILL	1
11	P413308	NEEDLE BAR FRAME POSITION BRACKET	1
12	P661141	M4 X 6 X 0.7 SOCKET HEAD CAP SCREW	1
13	P642510	NEEDLE BAR FRAME	1
14	P413330	NEEDLE BAR FRAME SLIDE BLOCK	1
15	P661150	NEEDLE BAR ROCK FRAME SHAFT	1
16	P413279	SCREW	1
17	P413278	NEEDLE BAR CONNECTING STUD	1
18	P413274	NEEDLE BAR CONNECTING LINK	1
19	P642501	JUMP FOOT ROD	1
20	P413269	NEEDLE BAR CONNECTING LINK STUD	1
21	P661103	NEEDLE BAR CRANK	1

PARTS  
IDENTIFICATION