

*Barudan*

HIGH SPEED AUTOMATIC EMBROIDERY MACHINE

**ELITE Jr.**

**BEDT-ZN-101 (250 x 400)**

**PARTS LIST**

# ELITE Jr.

## BEDT-ZN-101 (250x400)

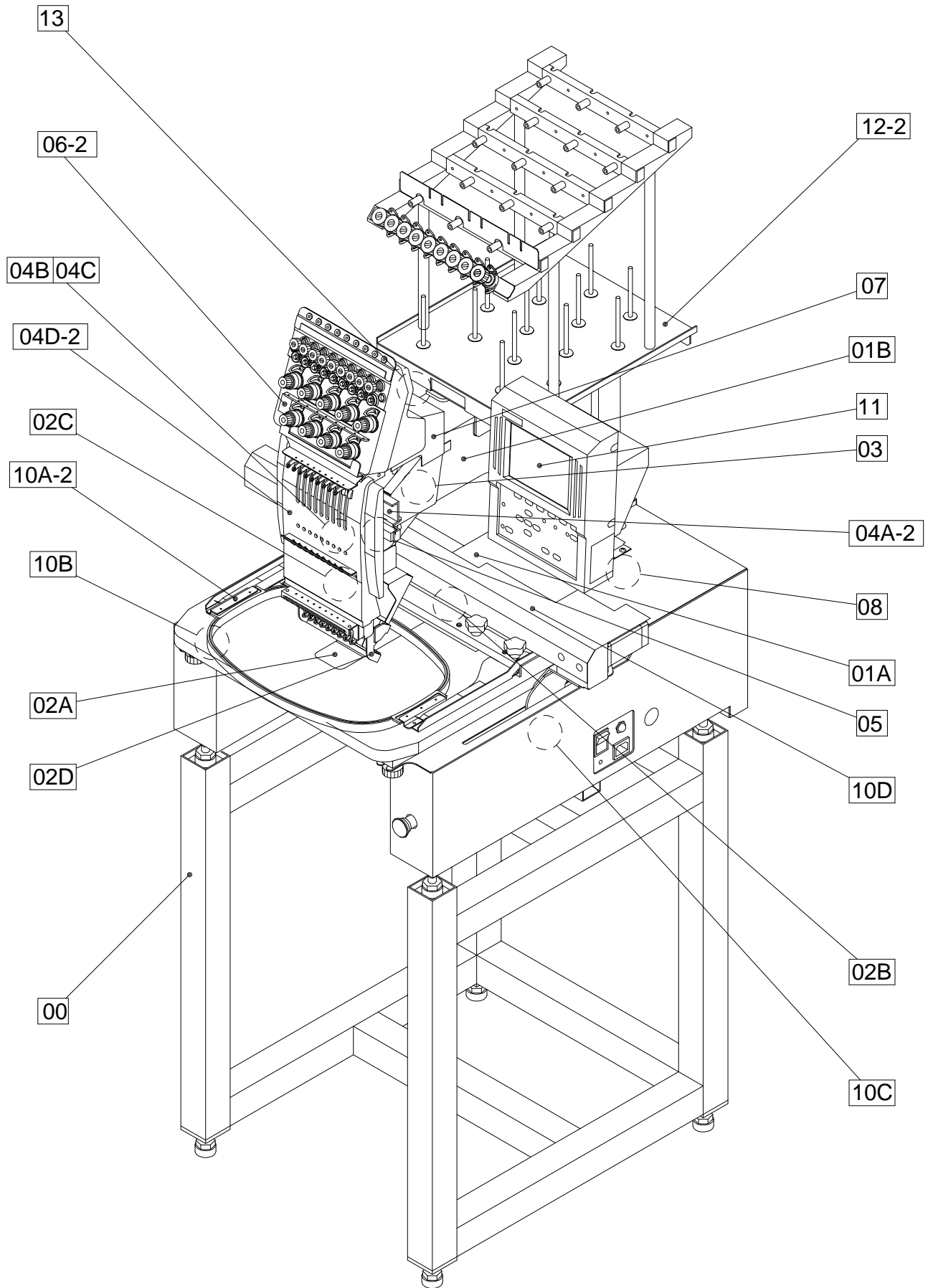
### HIGH SPEED AUTOMATIC EMBROIDERY MACHINE

#### CONTENTS

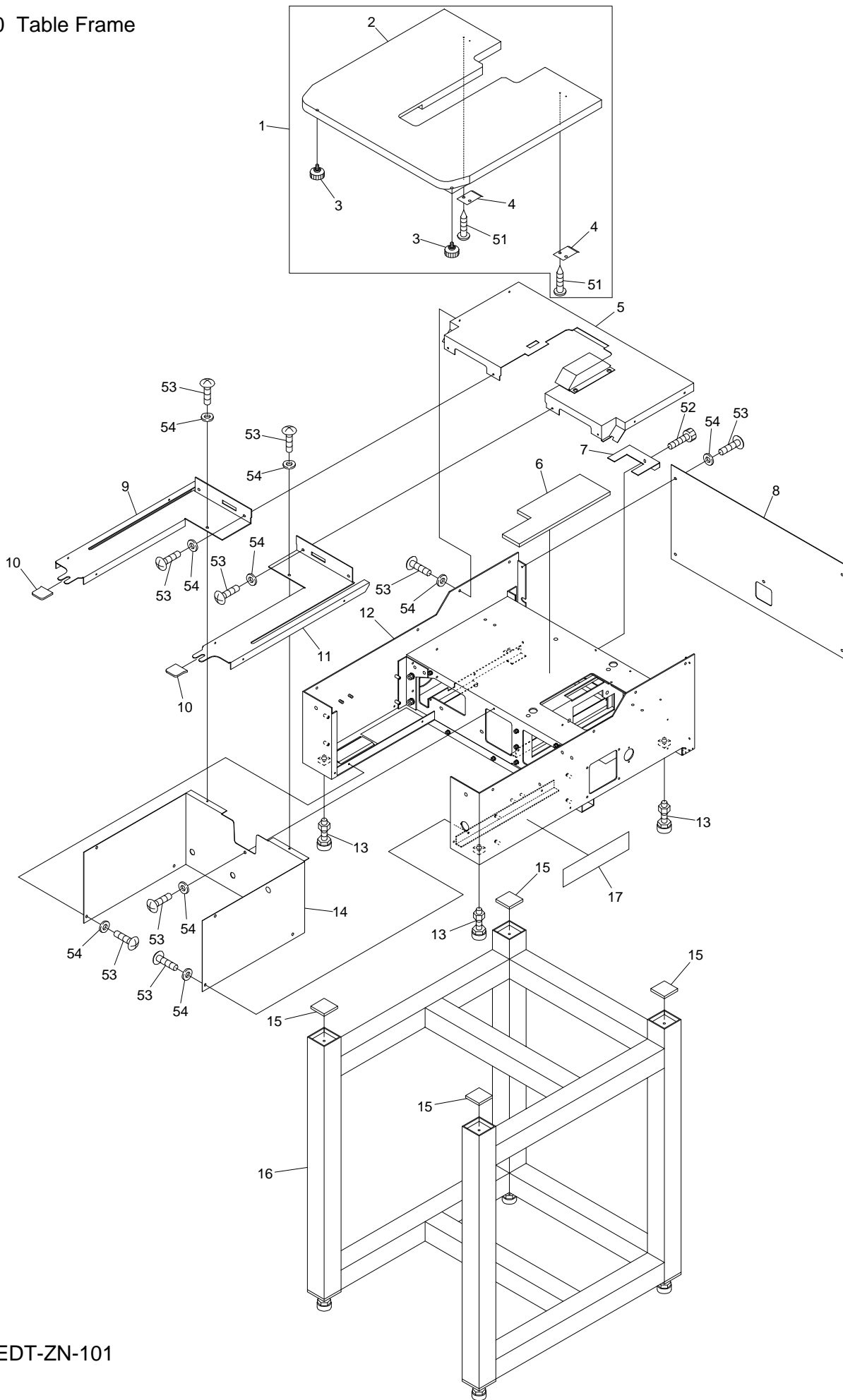
|                  |                             |
|------------------|-----------------------------|
| 00 Table-Frame   | 04D Needle bar D            |
| 01A Head-Bed A   | 05 Jump                     |
| 01B Head-Bed B   | 06 Thread guide             |
| 02A Thread cut A | 07 Color change             |
| 02B Thread cut B | 08 Drive                    |
| 02C Thread cut C | 10A Pantograph drive A (QS) |
| 02D Thread cut D | 10B Pantograph drive B (QS) |
| 03 Take up lever | 10C Pantograph drive C      |
| 04A Needle bar A | 10D Pantograph drive D      |
| 04B Needle bar B | 11 Control                  |
| 04C Needle bar C | 12 Accessories              |
|                  | 13 Lower thread roll        |

Machine layout

BEDT-ZN-101(250x400)



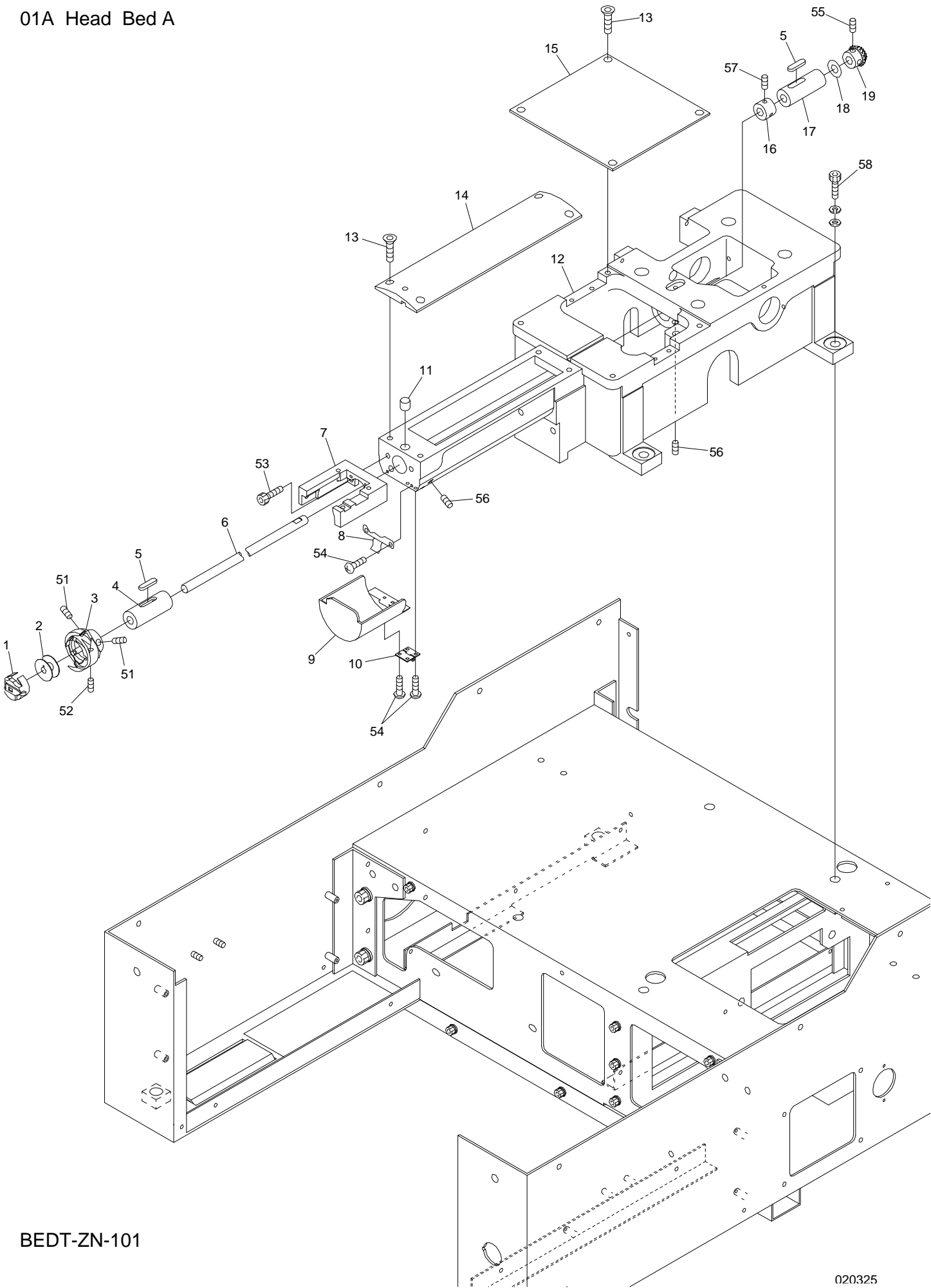
00 Table Frame



BEDT-ZN-101

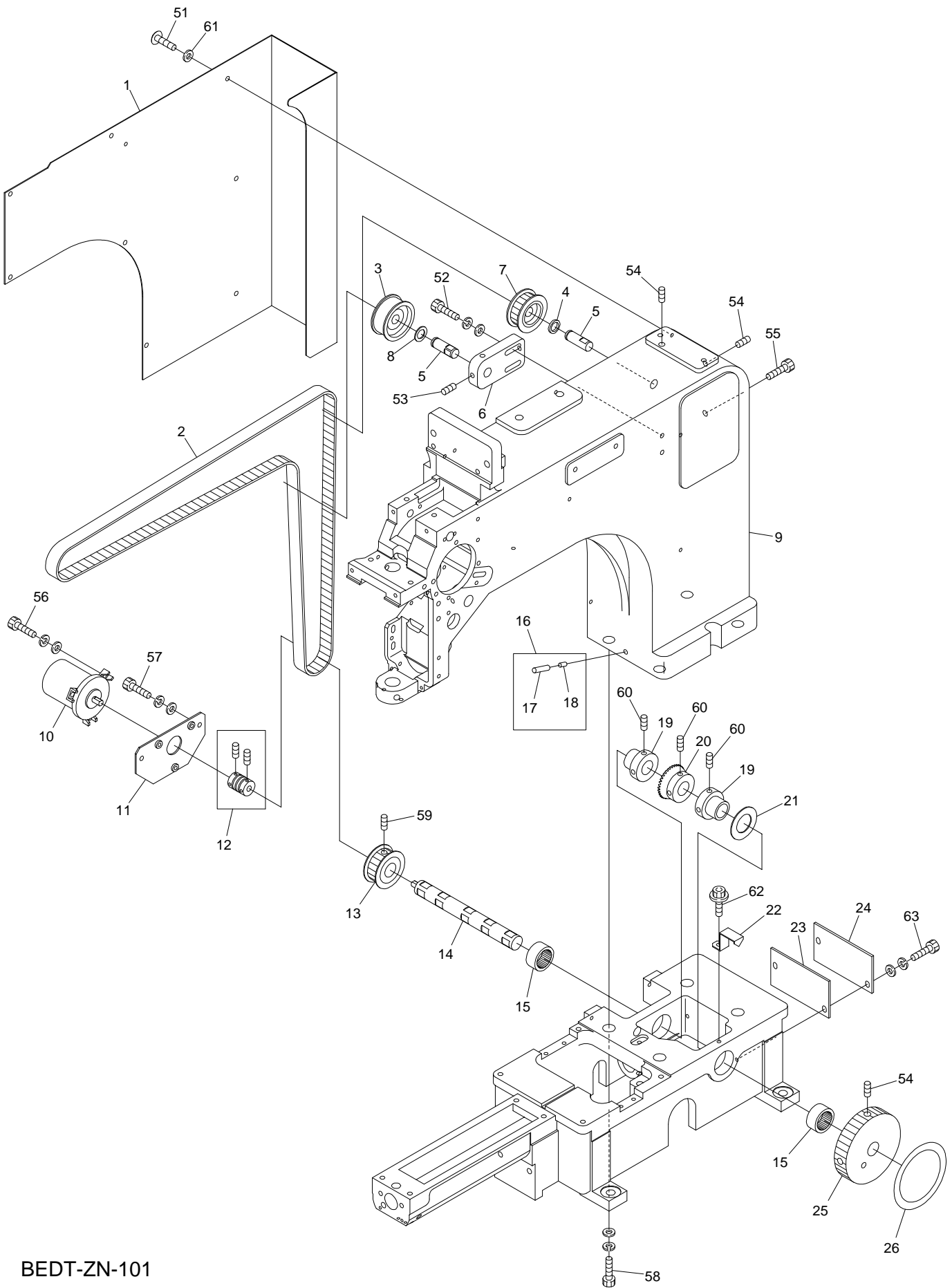


01A Head Bed A





01B Head Bed B

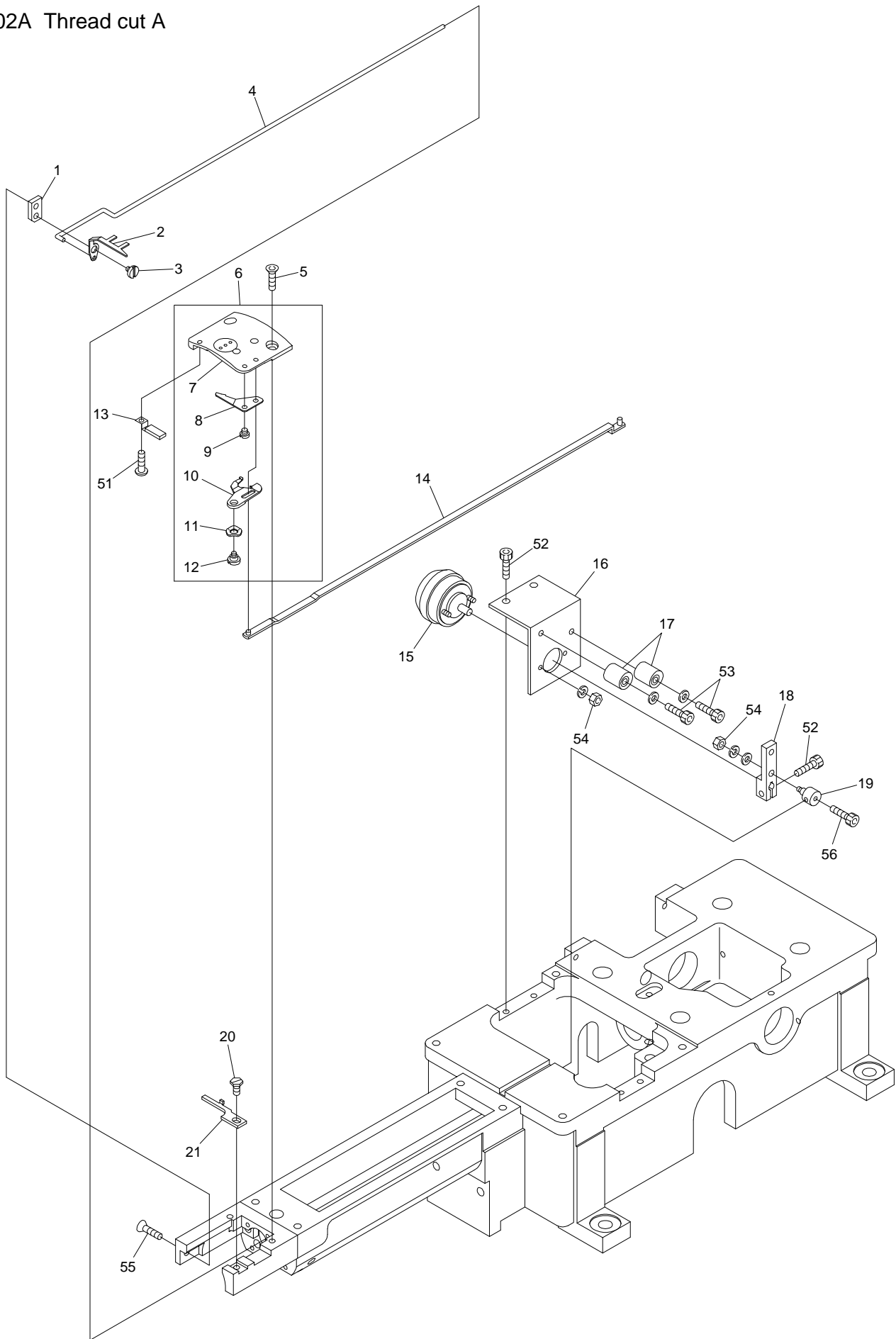


BEDT-ZN-101





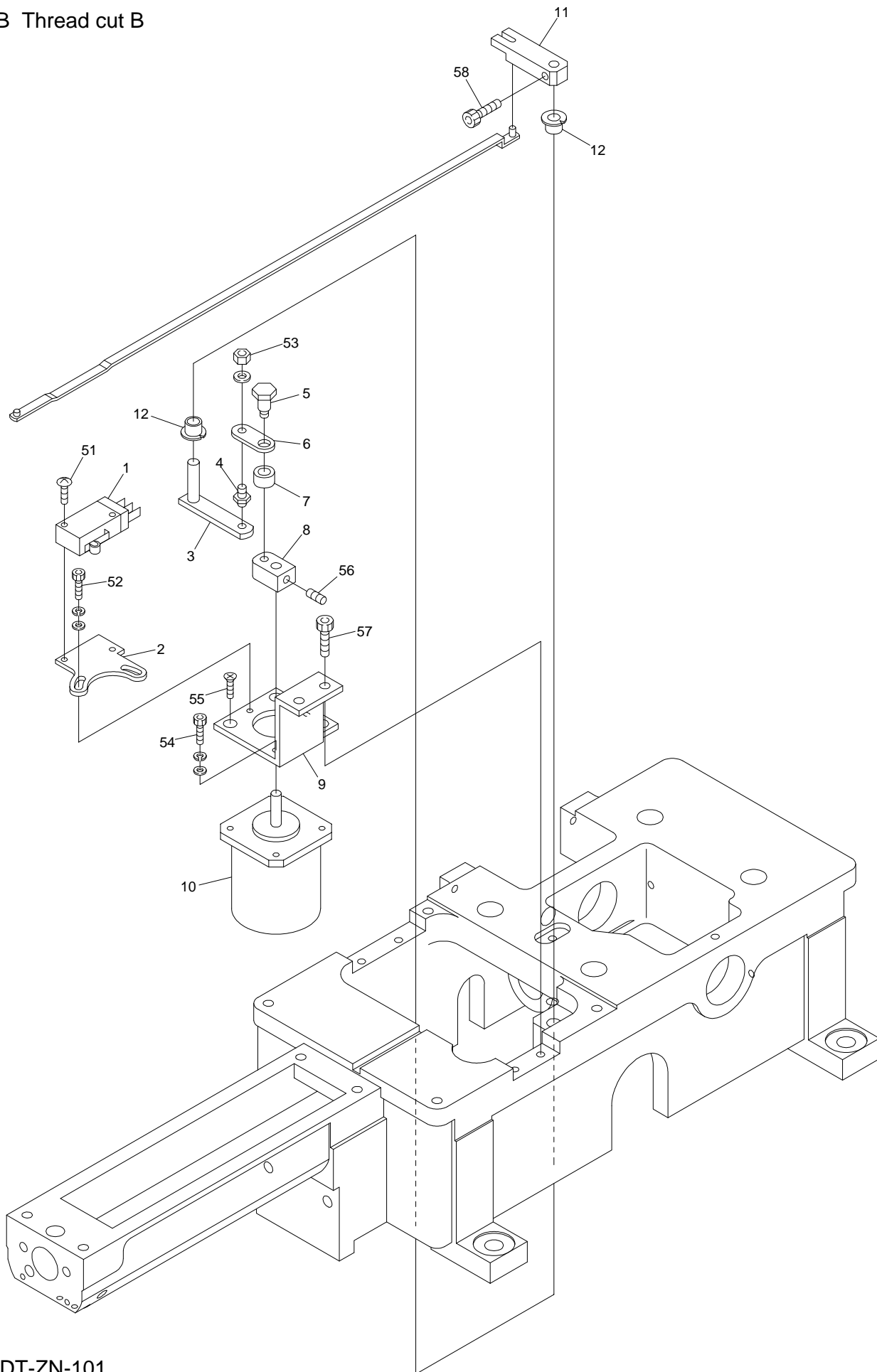
02A Thread cut A



BEDT-ZN-101



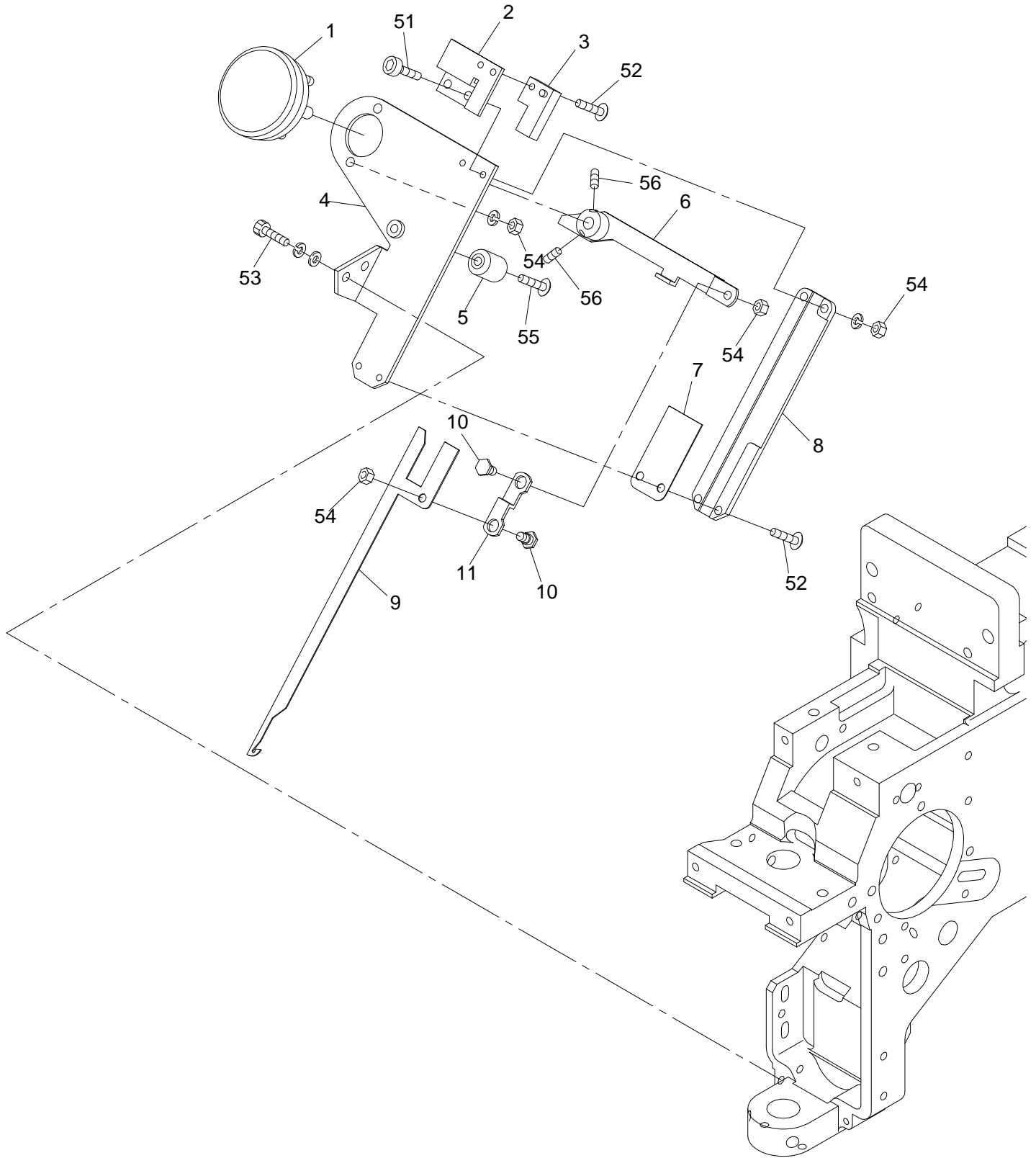
02B Thread cut B



BEDT-ZN-101

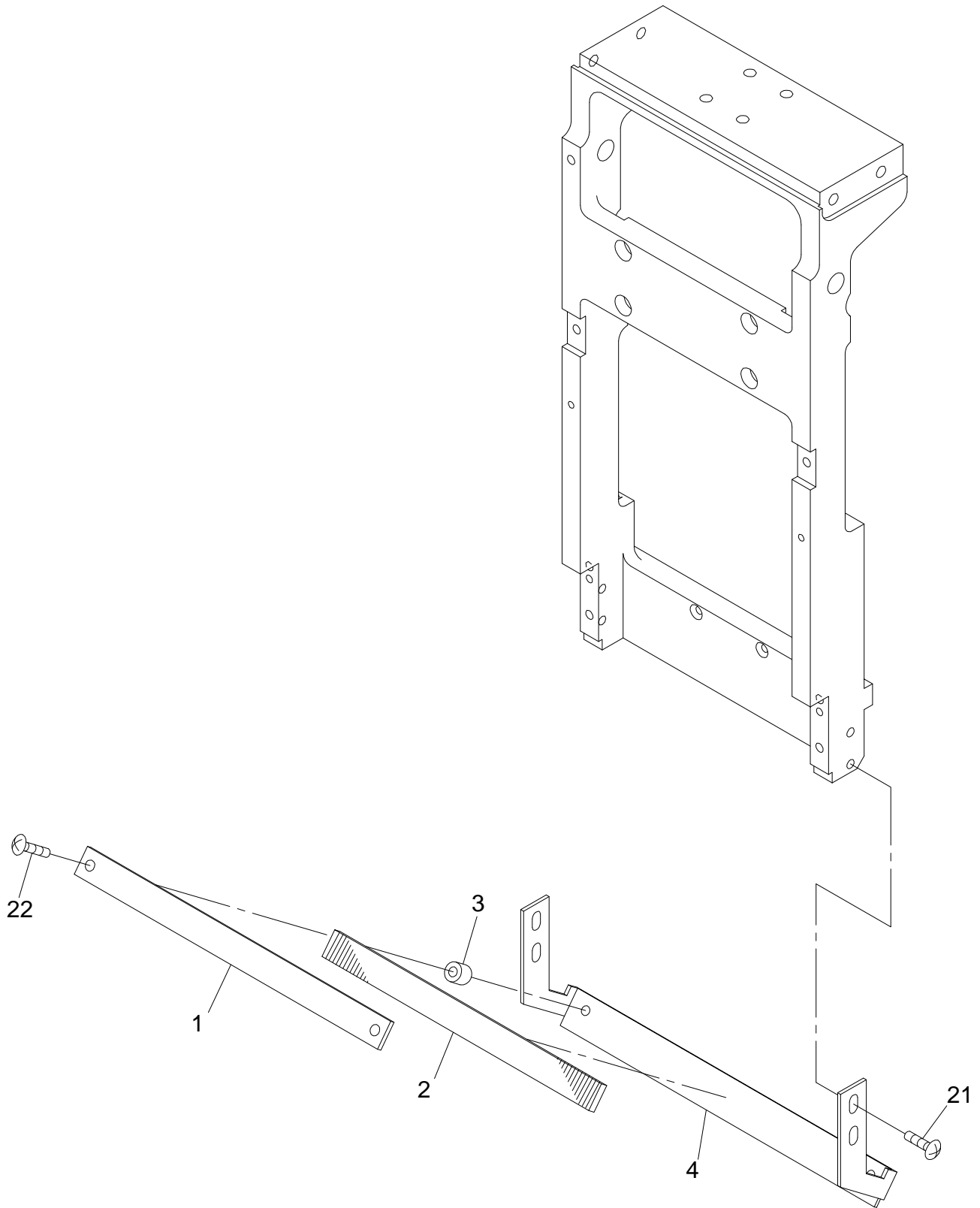


# 02C Thread cut C





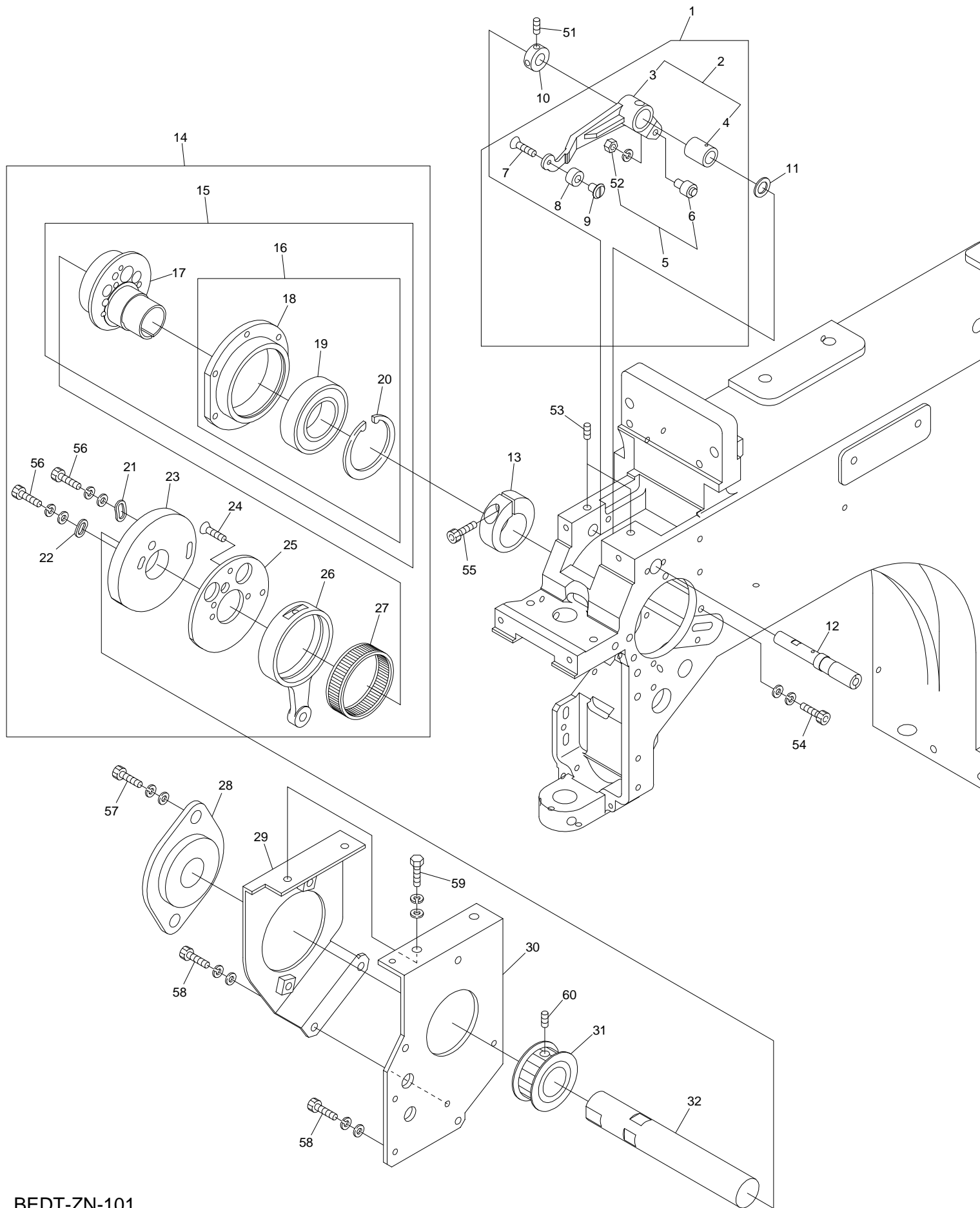
02D Thread cut D







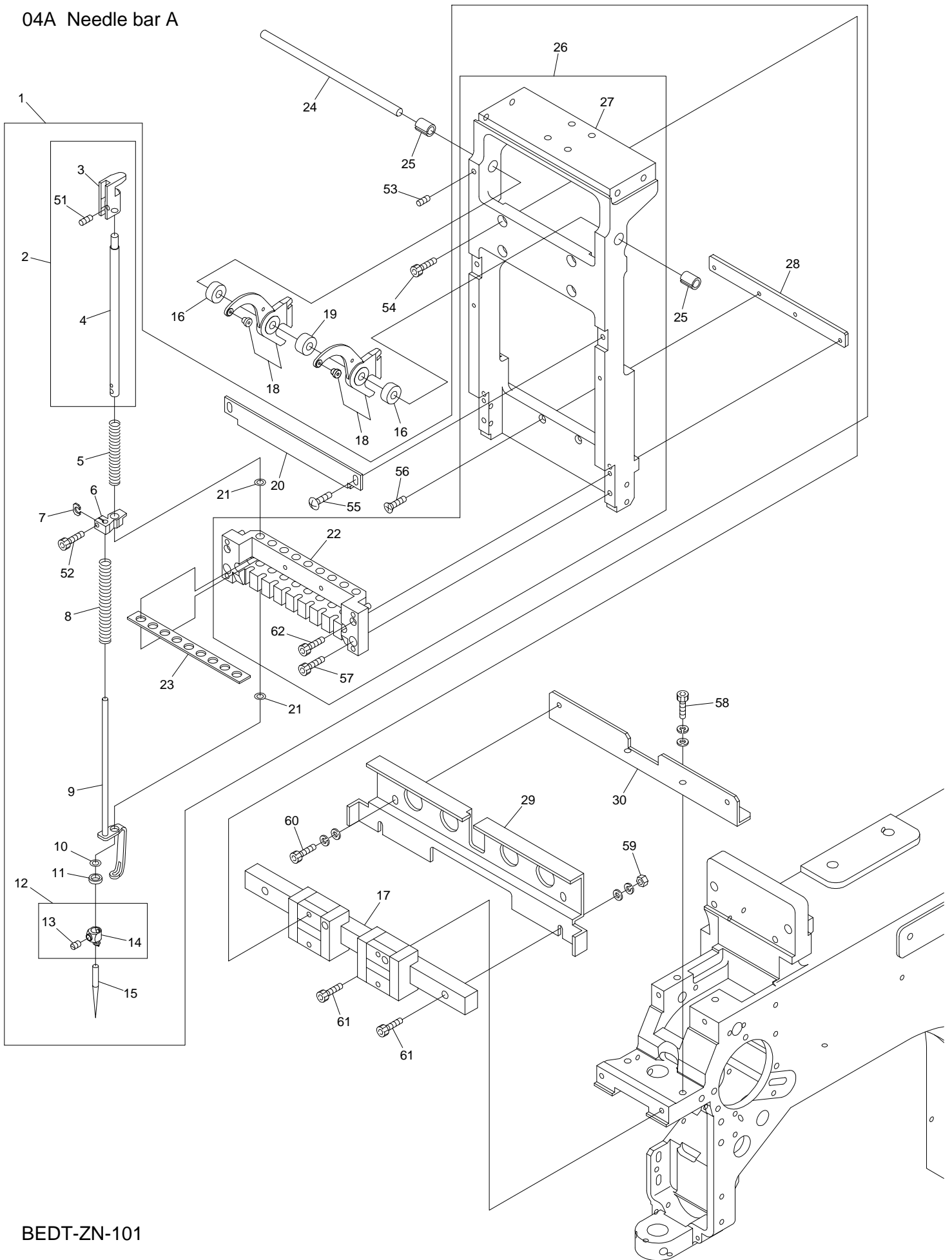
### 03 Take up lever B



## 03 Take up lever

| ITEM | LIST NO. | DESCRIPTION  | Q'TY | NOTE |
|------|----------|--|------|------|
| 1    | RV230070 | Take up lever driving lever a'ssy                    | 1    |      |
| 2    | RH230801 | Take up lever driving lever(Metal)                   | 1    |      |
| 3    | RH230311 | Take up lever driving lever                          | 1    |      |
| 4    | RH230810 | Take up lever metal                                  | 1    |      |
| 5    | KF230501 | Take up lever roller a'ssy                           | 1    |      |
| 6    | KF230680 | Cam followers(KR×4×7.9×15-1P×1)                      | 1    |      |
| 7    | HB230650 | Flush screw(With adhesion)                           | 1    |      |
| 8    | RV230060 | Take up lever driving roller                         | 1    |      |
| 9    | RD230130 | Take up lever driving roller shaft                   | 1    |      |
| 10   | HB230800 | Take up lever driving lever fixing pin<br>set collar | 1    |      |
| 11   | RH230610 | Thrust washer  | 1    |      |
| 12   | RH230320 | Take up lever driving lever fixing pin               | 1    |      |
| 13   | RH230330 | Needle bar driving cam set collar                    | 1    |      |
| 14   | MH230070 | Take up lever?Needle bar drive a'ssy                 | 1    |      |
| 15   | MH230080 | Needle bar driving cam a'ssy                         | 1    |      |
| 16   | RN230030 | Bearing case a'ssy                                   | 1    |      |
| 17   | MH230090 | Needle bar driving cam with groove                   | 1    |      |
| 18   | RN230040 | Bearing case   | 1    |      |
| 19   | A9010073 | Ball bearing(6005ZZ)                                 | 1    |      |
| 20   | A9012421 | C-ring for hole f47                                  | 1    |      |
| 21   | HB230080 | Washer for cam(2)                                    | 1    |      |
| 22   | HB230070 | Washer for cam(1)                                    | 1    |      |
| 23   | RH230290 | Take up lever cam H6 f20                             | 1    |      |
| 24   | HB230620 | Flush screw  | 3    |      |
| 25   | RH230300 | Take up lever cam base                               | 1    |      |
| 26   | RH230280 | Needle bar crank rod                                 | 1    |      |
| 27   | RH230271 | Needle bearing                                       | 1    |      |
| 28   | A9011251 | Frang unit(SBPFL 204)                                | 1    |      |
| 29   | MH310110 | Bearing bracket                                      | 1    |      |
| 30   | MH310100 | Arm reinforcement bracket                            | 1    |      |
| 31   | MH230051 | Needle bar driving pulley                            | 1    |      |
| 32   | MH230061 | Upper shaft  | 1    |      |
| 51   |          | Hex.socket set screw M4×4(With adhesion)             |      |      |
| 52   |          | Hex.nut M4(With spring washer)                       |      |      |
| 53   |          | Hex.socket set screw M5×5                            |      |      |
| 54   |          | Hex.socket bolt M4×15(With washers)                  |      |      |
| 55   |          | Hex.socket bolt M5×18                                |      |      |
| 56   |          | Hex.socket bolt M4×8                                 |      |      |
| 57   |          | Hex.socket bolt M5×20                                |      |      |
| 58   |          | Hex.socket bolt M4×10                                |      |      |
| 59   |          | Hex.bolt M5×12                                       |      |      |
| 60   |          | Hex.socket set screw M6×6                            |      |      |
|      |          |  |      |      |
|      |          |  |      |      |

04A Needle bar A

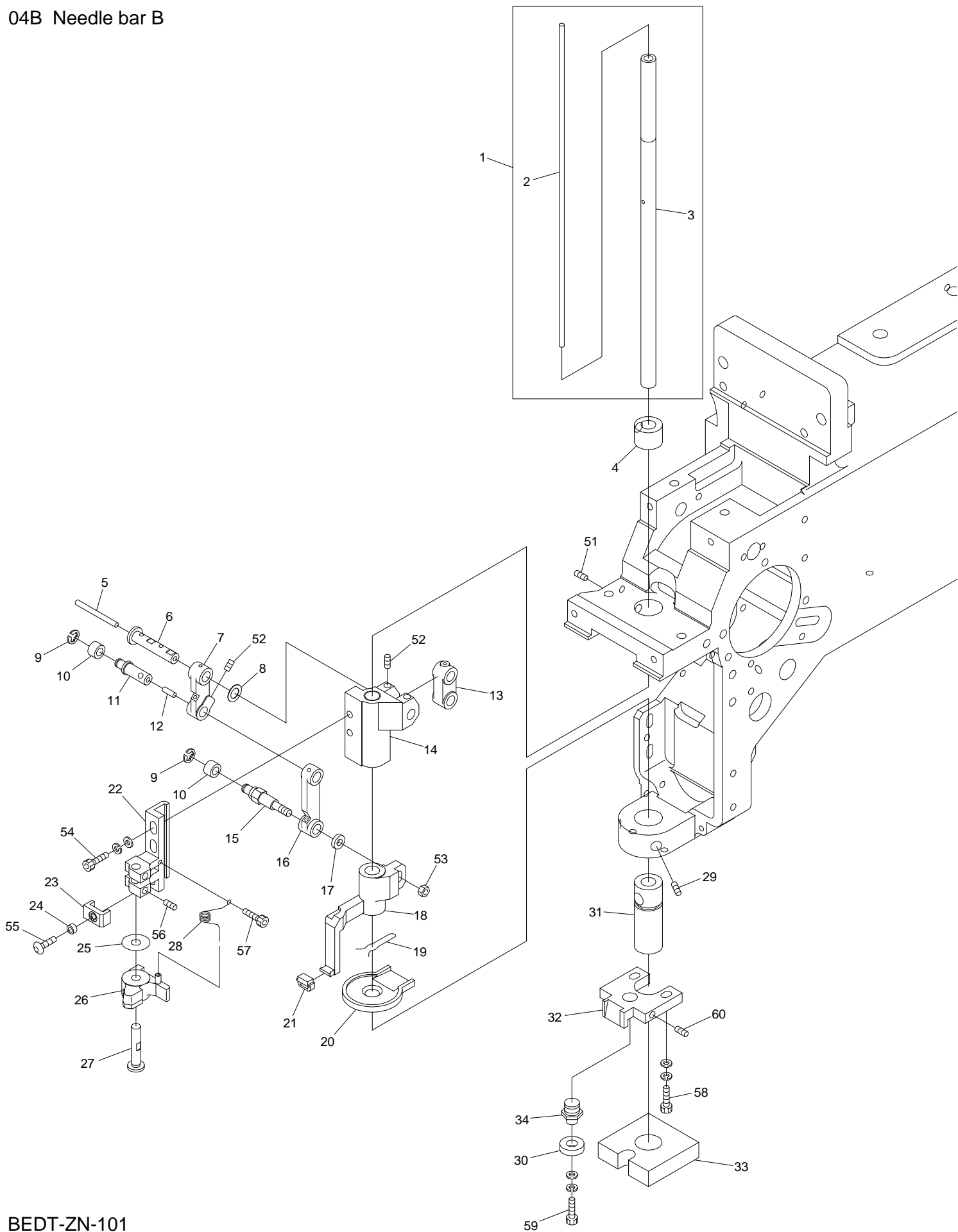


BEDT-ZN-101

## 04A Needle bar A

| ITEM | LIST NO.    | DESCRIPTION                             | Q'TY | NOTE |
|------|-------------|---|------|------|
| 1    | MH230000    | Slide block a'ssy(DT-ZN)                | 1    |      |
| 2    | RD230480    | Needle bar a'ssy                        | 9    |      |
| 3    | RD230490    | Needle bar guide                        | 9    |      |
| 4    | RH230410    | Needle bar                              | 9    |      |
| 5    | KV230040    | Needle bar spring(Upper,for thick type) | 9    |      |
| 6    | HT230330    | Cloth hold set clamp                    | 9    |      |
| 7    | HT230263    | Washer for set clamp                    | 9    |      |
| 8    | SG230220    | Needle bar spring lower                 | 9    |      |
| 9    | RD230370    | Cloth hold(ZQ4)                         | 9    |      |
| 10   | KF230910    | O-ring(AN6227-5)                        | 9    |      |
| 11   | HT230120    | Washer 2.4                              | 9    |      |
| 12   | RH230440    | Needle clamp(With hook,set screw)       | 9    |      |
| 13   | RH230460    | Needle clamp screw                      | 9    |      |
| 14   | RH230450    | Needle clamp(With hook)                 | 9    |      |
| 15   | FN070011SNY | Needle(DBXK5-NY11S)                     | 9    |      |
| 16   | SG230230    | Take up lever spacer(t=6.1)             | 2    |      |
| 17   | A9011248    | LM (SSR15XV2UUE+220LYF)                 | 1    |      |
| 18   | KX230152    | Take up lever(ZN multi)                 | 9    |      |
| 19   | KX230141    | Take up lever spacer                    | 8    |      |
| 20   | MH230110    | Needle bar stocker(DT-ZN)               | 1    |      |
| 21   | A9014167    | O-ring SS065                            | 18   |      |
| 22   | MH230031    | Needle bar base(DT-ZN)                  | 1    |      |
| 23   | MH230100    | Needle bar felt(DT-ZN)                  | 1    |      |
| 24   | MH230040    | Take up lever shaft (DT-ZN)             | 1    |      |
| 25   | SG230200    | Take up lever collar(Z12)               | 2    |      |
| 26   | MH230011    | Slide block set(DT-ZN)                  | 1    |      |
| 27   | MH230021    | Slide block(DT-ZN)                      | 1    |      |
| 28   | KX230040    | Bearing plate                           | 1    |      |
| 29   | MH230120    | Take up lever stocker(DT-ZN)            | 1    |      |
| 30   | MH230130    | LM support bracket                      | 1    |      |
| 51   |             | Hex.socket double point screw M4x4      |      |      |
| 52   |             | Hex.socket bolt M3x8                    |      |      |
| 53   |             | Hex.socket set screw M4x8               |      |      |
| 54   |             | Hex.socket bolt M4x10                   |      |      |
| 55   |             | Hex.socket button bolt M4x8             |      |      |
| 56   |             | Hex.socket flush screw M3x14            |      |      |
| 57   |             | Hex.socket bolt M4x12                   |      |      |
| 58   |             | Hex.socket bolt M5x14                   |      |      |
| 59   |             | Hex.nut M4                              |      |      |
| 60   |             | Hex.socket bolt M4x8                    |      |      |
| 61   |             | Hex.socket bolt M4x14                   |      |      |
| 62   |             | Hex.socket bolt M3x35                   |      |      |
|      |             |   |      |      |
|      |             |   |      |      |
|      |             |   |      |      |

04B Needle bar B

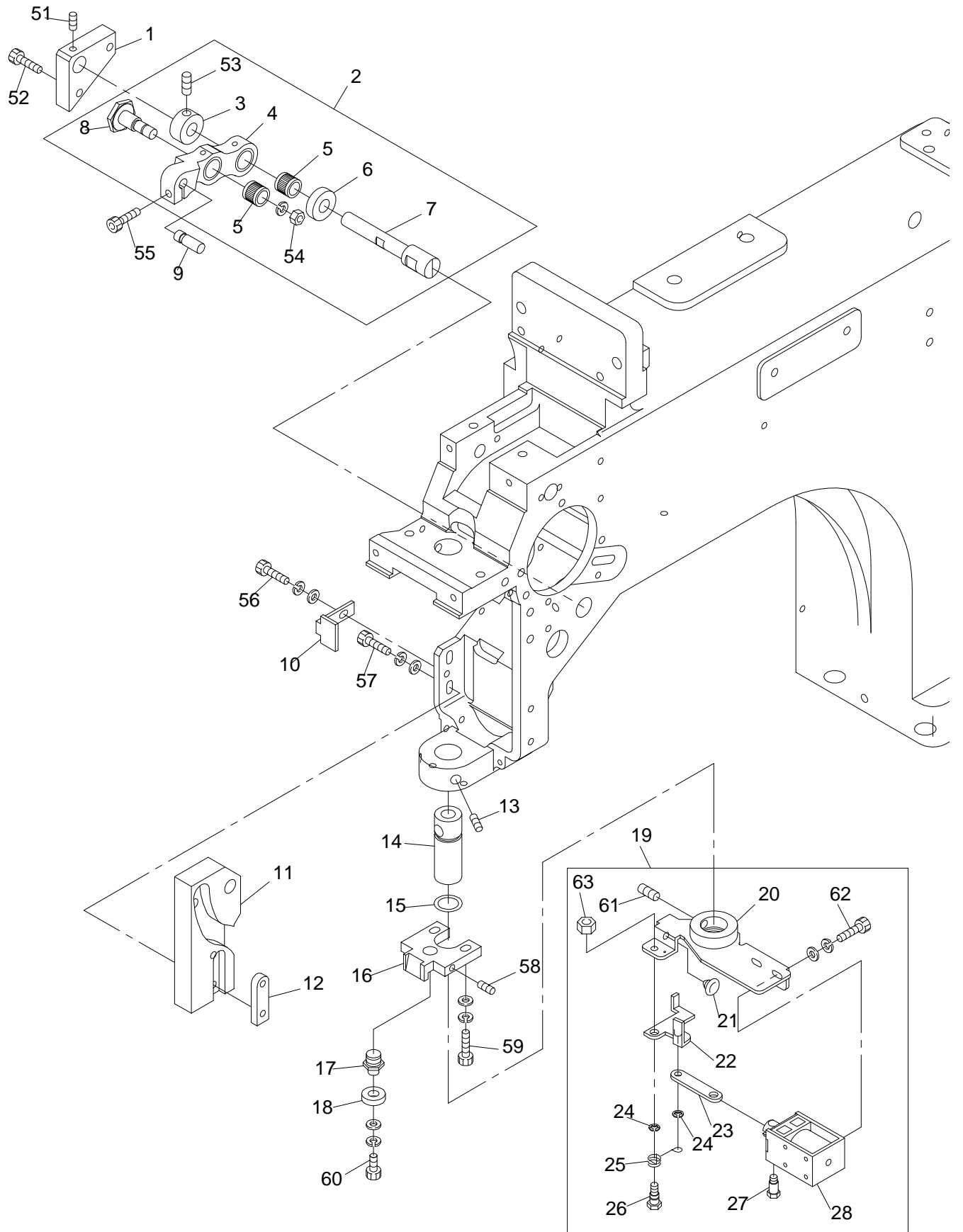


BEDT-ZN-101

## 04B Needle bar B

| ITEM | LIST NO. | DESCRIPTION                                       | Q'TY | NOTE |
|------|----------|---|------|------|
| 1    | MH230140 | Slide shaft a'ssy(DT-ZN)                          | 1    |      |
| 2    | MH230180 | Oil core(210mm)                                   | 1    |      |
| 3    | MH230170 | Slide shaft(DT-ZN)                                | 1    |      |
| 4    | KX230071 | Slide shaft bush(Upper)                           | 1    |      |
| 5    | HT230750 | Oil core(30mm)                                    | 1    |      |
| 6    | HT230470 | Small link pin                                    | 1    |      |
| 7    | HT230490 | Link(Small)                                       | 1    |      |
| 8    | HT230730 | Shim ring(10 t=0.3)                               | 1    |      |
| 9    | A9012127 | E-ring(3)   | 2    |      |
| 10   | KF230530 | Roller(For take up lever)                         | 2    |      |
| 11   | HT230450 | Link roller joint pin                             | 1    |      |
| 12   | HT230760 | Oil core(8mm)                                     | 1    |      |
| 13   | HB230200 | Needle bar driving link                           | 1    |      |
| 14   | HT230510 | Needle bar driver slide block                     | 1    |      |
| 15   | SG230180 | Link roller joint pin(Large)                      | 1    |      |
| 16   | HT230480 | Link(Large)                                       | 1    |      |
| 17   | SG230190 | Washer for joint pin                              | 1    |      |
| 18   | SG230030 | Cloth hold slide block                            | 1    |      |
| 19   | MH230200 | Grip spring                                       | 1    |      |
| 20   | SG230000 | Oil receive plate                                 | 1    |      |
| 21   | HT230340 | Cloth hold support rubber                         | 1    |      |
| 22   | HT230290 | Needle bar beat fixing base                       | 1    |      |
| 23   | HT230520 | Needle bar driving stopper                        | 1    |      |
| 24   | A9012368 | Spacer(Roll bush)                                 | 1    |      |
| 25   | RH230550 | Shim ring   | 1    |      |
| 26   | RH230540 | Needle bar driver                                 | 1    |      |
| 27   | HT230280 | Needle bar driver pin                             | 1    |      |
| 28   | HT230560 | Needle bar driver return spring                   | 1    |      |
| 29   | A9012053 | Hex.socket set screw(With steel ball)<br>M6x0.7x8 | 1    |      |
| 30   | A9010065 | Ball bearing 686zz                                | 1    |      |
| 31   | LA230080 | Slide shaft bush(Lower)                           | 1    |      |
| 32   | LA230140 | Bearing guide                                     | 1    |      |
| 33   | MH230190 | Drive shaft felt                                  | 1    |      |
| 34   | SG230300 | Bearing pin                                       | 1    |      |
| 51   |          | Hex.socket set screw M5x10                        |      |      |
| 52   |          | Hex.socket set screw M4x6(With nylon)             |      |      |
| 53   |          | Hex.nut M4  |      |      |
| 54   |          | Hex.socket bolt M4x12(With washers)               |      |      |
| 55   |          | Hex.socket button bolt M3x6                       |      |      |
| 56   |          | Hex.socket set screw M4x4(With nylon)             |      |      |
| 57   |          | Hex.socket bolt M2.5x6                            |      |      |
| 58   |          | Hex.socket bolt M4x15(With washers)               |      |      |
| 59   |          | Hex.socket bolt M4x6(With washers)                |      |      |
| 60   |          | Hex.socket set screw(Dog point) M4x12             |      |      |

# 04C Needle bar C

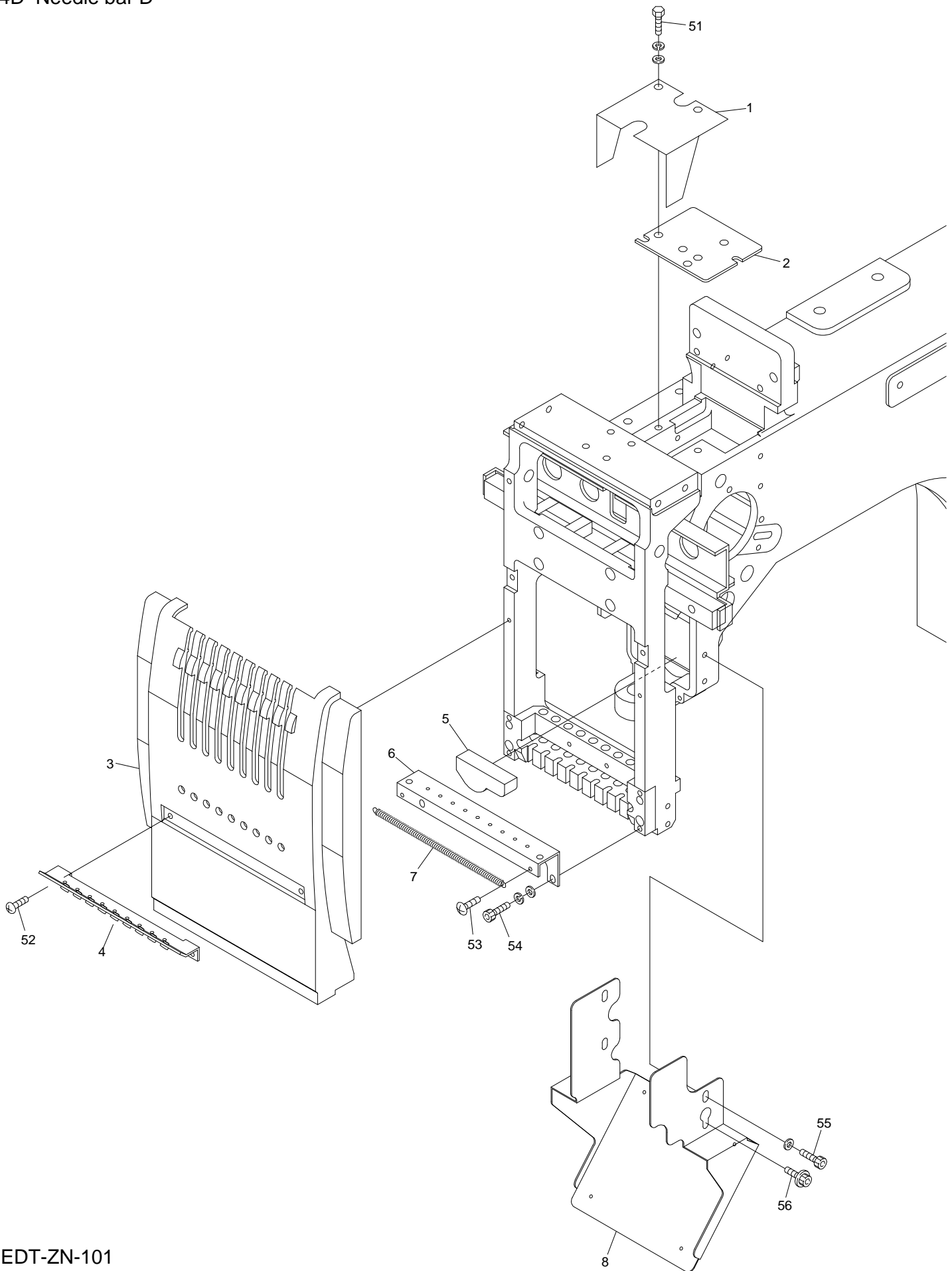




## 04C Needle bar C

| ITEM | LIST NO. | DESCRIPTION                                     | Q'TY | NOTE |
|------|----------|---|------|------|
| 1    | MH230150 | Lever pin block(515 white)                      |      |      |
| 2    | RR230090 | Needle bar driving lever set(P25.65)            |      |      |
| 3    | HB230271 | Needle bar driving lever fixing pin set collar  |      |      |
| 4    | RR230080 | Needle bar driving lever(P25.65)                |      |      |
| 5    | HB230361 | Needle roller with retainer(KV8×11×10SV2)       |      |      |
| 6    | HB230281 | Needle bar driving lever fixing pin collar      |      |      |
| 7    | HT230410 | Needle bar driving lever fixing pin             |      |      |
| 8    | HB230261 | Needle bar driving lever connecting pin         |      |      |
| 9    | HB230220 | Needle bar driving lever pin(B)                 |      |      |
| 10   | SG230270 | Cam guide plate                                 |      |      |
| 11   | SG230210 | Cloth hold cam(K3)                              |      |      |
| 12   | MK230080 | Cam tap plate                                   |      |      |
| 13   | A9012053 | Hex.socket set screw (With steel ball) M6x0.7x8 |      |      |
| 14   | LA230080 | Slide shaft bush (Lower)                        |      |      |
| 15   | A9019037 | O-ring (Bush under S12.5 NOK)                   |      |      |
| 16   | LA230140 | Bearing guide                                   |      |      |
| 17   | SG230300 | Bearing pin                                     |      |      |
| 18   | A9010065 | Ball bearing 686zz                              |      |      |
| 19   | MM270000 | Thread support a'ssy(24V) DTHE-ZQ               |      |      |
| 20   | SG270050 | Thread support base                             |      |      |
| 21   | A9014166 | Plug cushion rubber TM-96-6                     |      |      |
| 22   | SG270060 | Thread support lever                            |      |      |
| 23   | SG270070 | Thread support link                             |      |      |
| 24   | A9012127 | E-ring(f 3)                                     |      |      |
| 25   | SG270120 | Thread support return spring                    |      |      |
| 26   | SG270110 | Thread support lever pin screw                  |      |      |
| 27   | KC270101 | Solenoid pin                                    |      |      |
| 28   | A9056042 | Keep solenoid(24V) TDS-K10SL-368                |      |      |
| 51   |          | Hex.socket set screw M4x4(With nylon)           |      |      |
| 52   |          | Hex.socket bolt M4x12(With washers)             |      |      |
| 53   |          | Hex.socket set screw M5x5                       |      |      |
| 54   |          | Hex.nut M6(With spring washer)                  |      |      |
| 55   |          | Hex.socket bolt M4x14(With adhesive)            |      |      |
| 56   |          | Hex.socket bolt M4x8                            |      |      |
| 57   |          | Hex.socket bolt M4x15                           |      |      |
| 58   |          | Hex.socket set screw (Dog point)M4x12           |      |      |
| 59   |          | Hex.socket bolt M4x12(With washers)             |      |      |
| 60   |          | Hex.socket bolt M4x6(With washers)              |      |      |
| 61   |          | Hex.socket set screw M5x8                       |      |      |
| 62   |          | Hex.socket bolt M3x6(With washers)              |      |      |
| 63   |          | Hex.nut M4                                      |      |      |
|      |          |   |      |      |
|      |          |   |      |      |
|      |          |   |      |      |
|      |          |   |      |      |

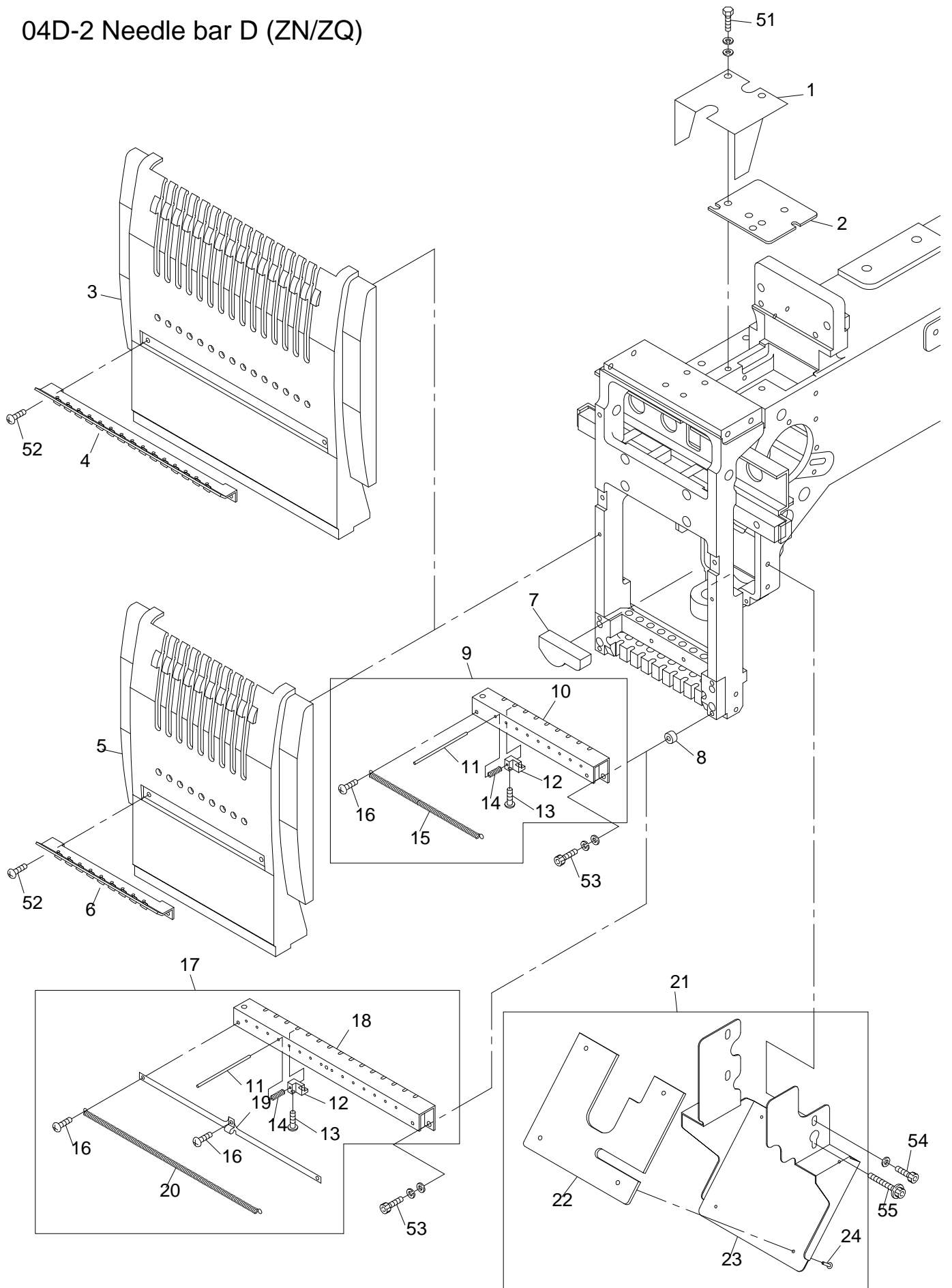
# 04D Needle bar D



BEDT-ZN-101

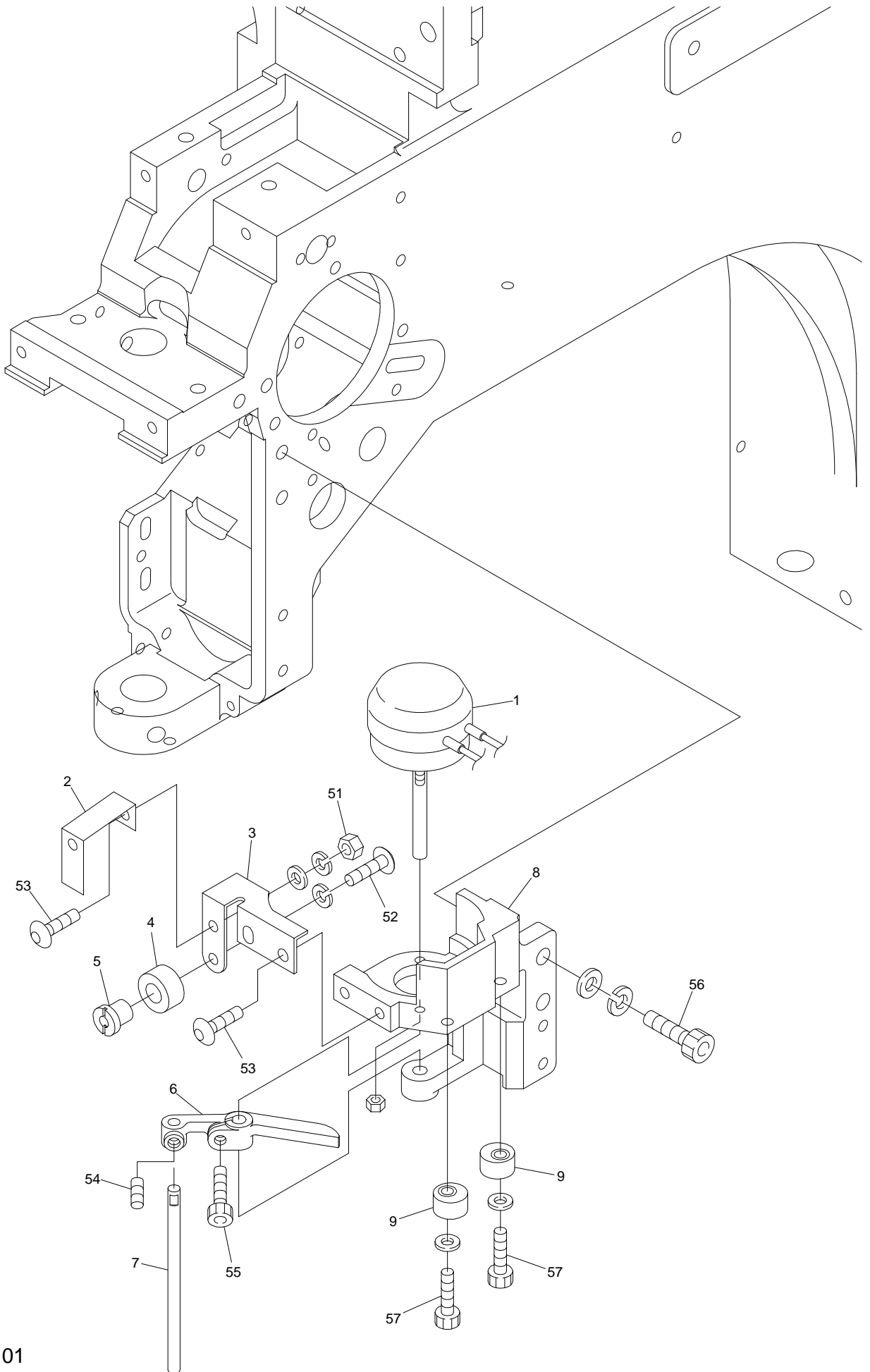


# 04D-2 Needle bar D (ZN/ZQ)





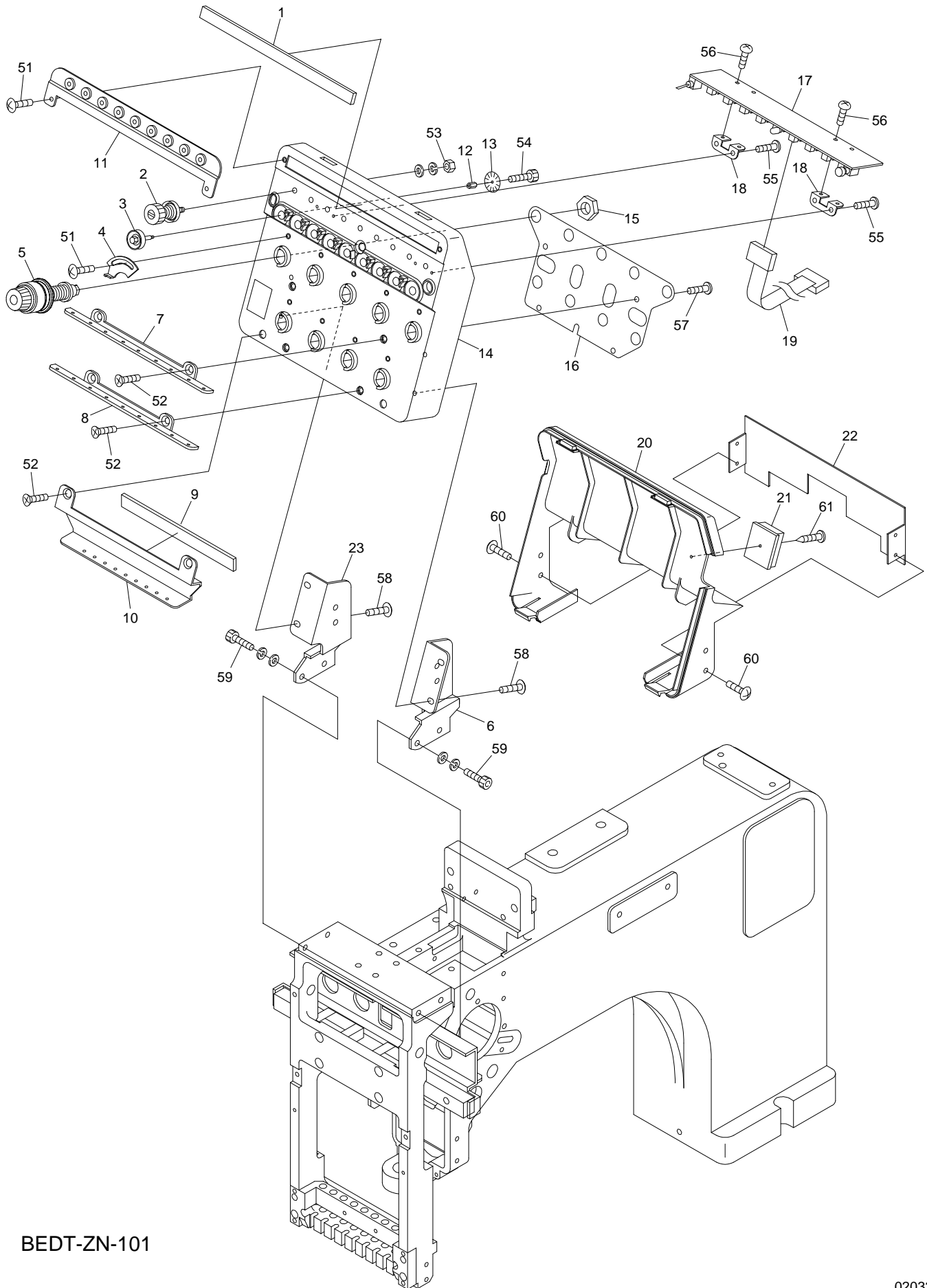
05 Jump



BEDT-ZN-101



# 06 Thread guide

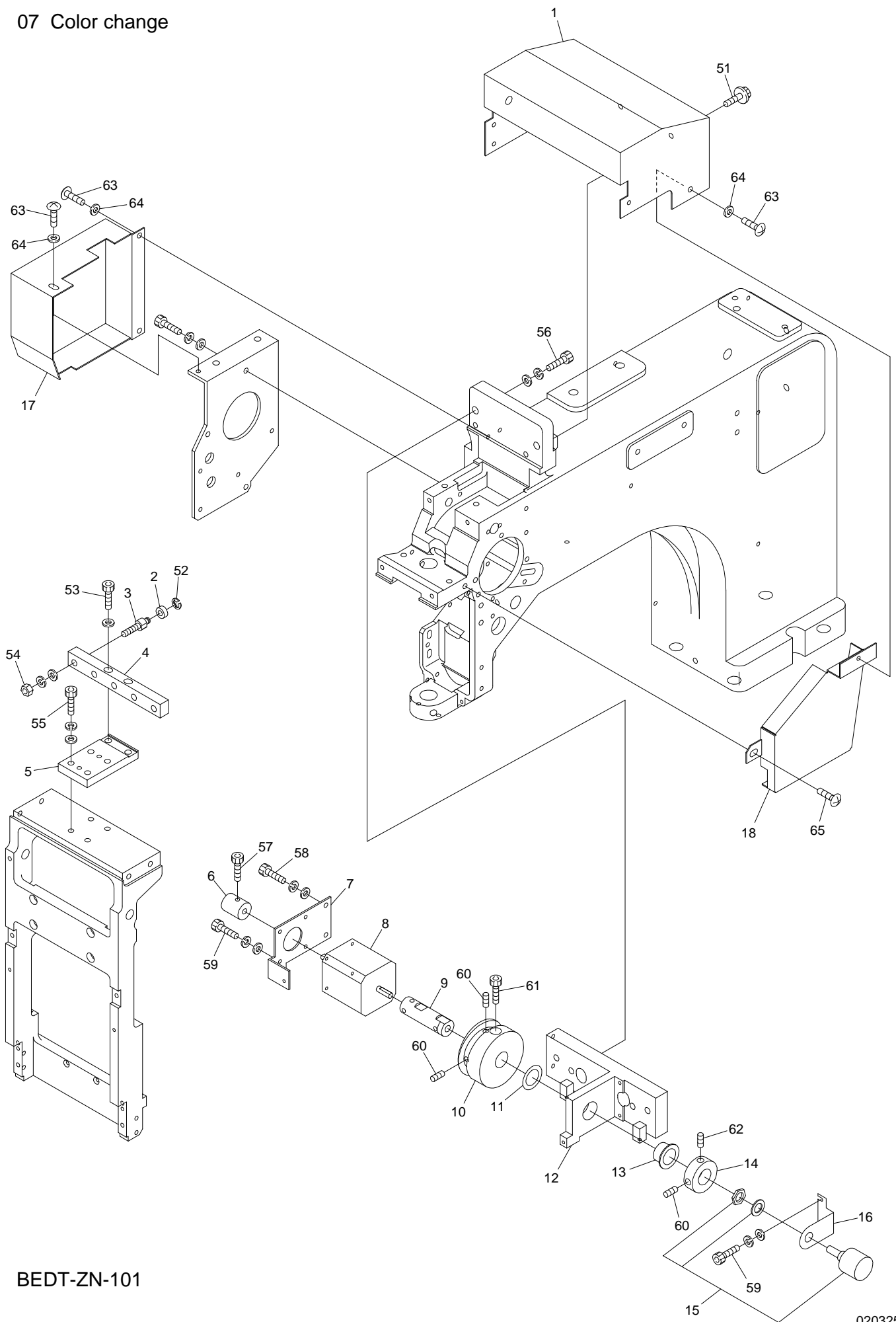


BEDT-ZN-101





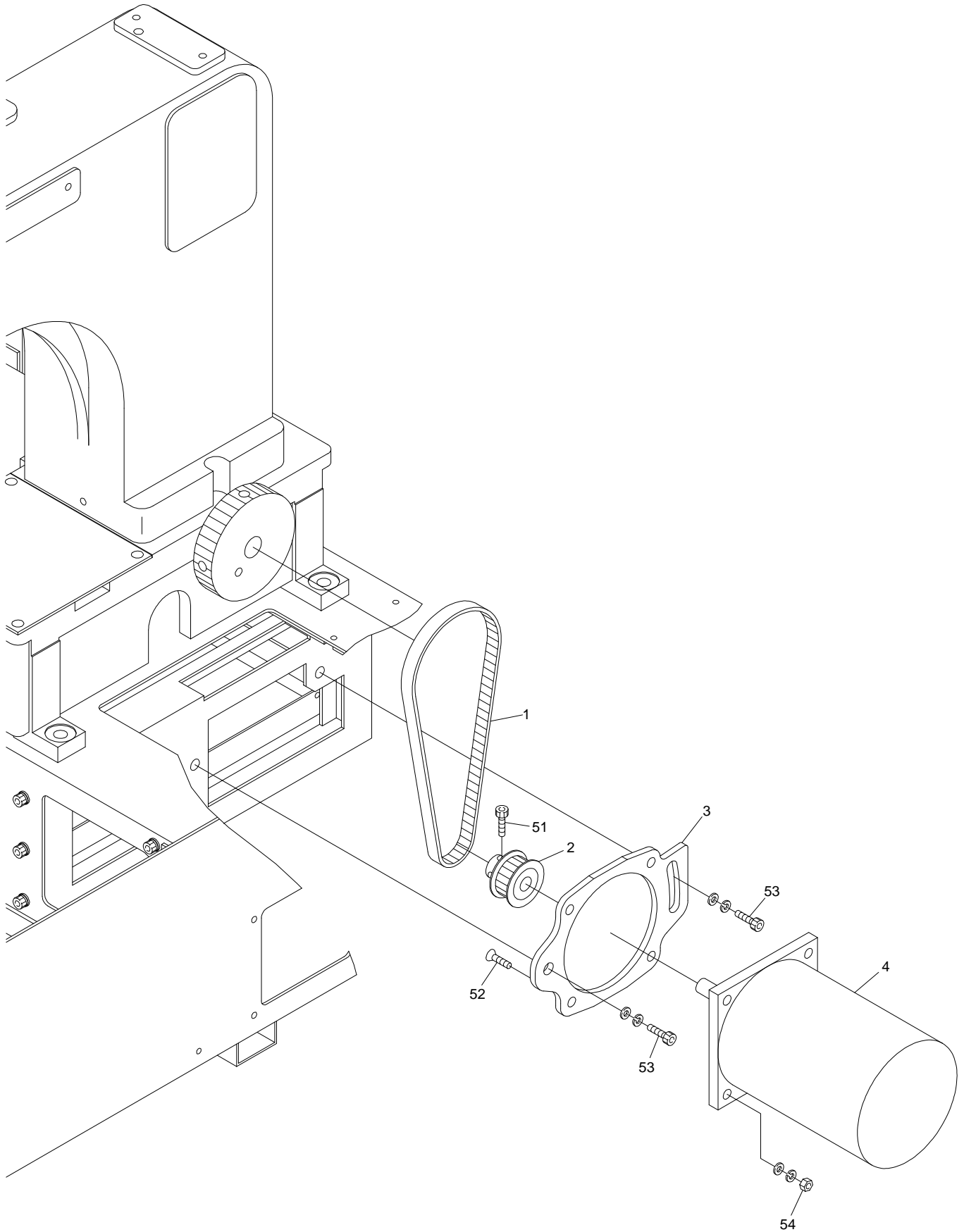
07 Color change



BEDT-ZN-101



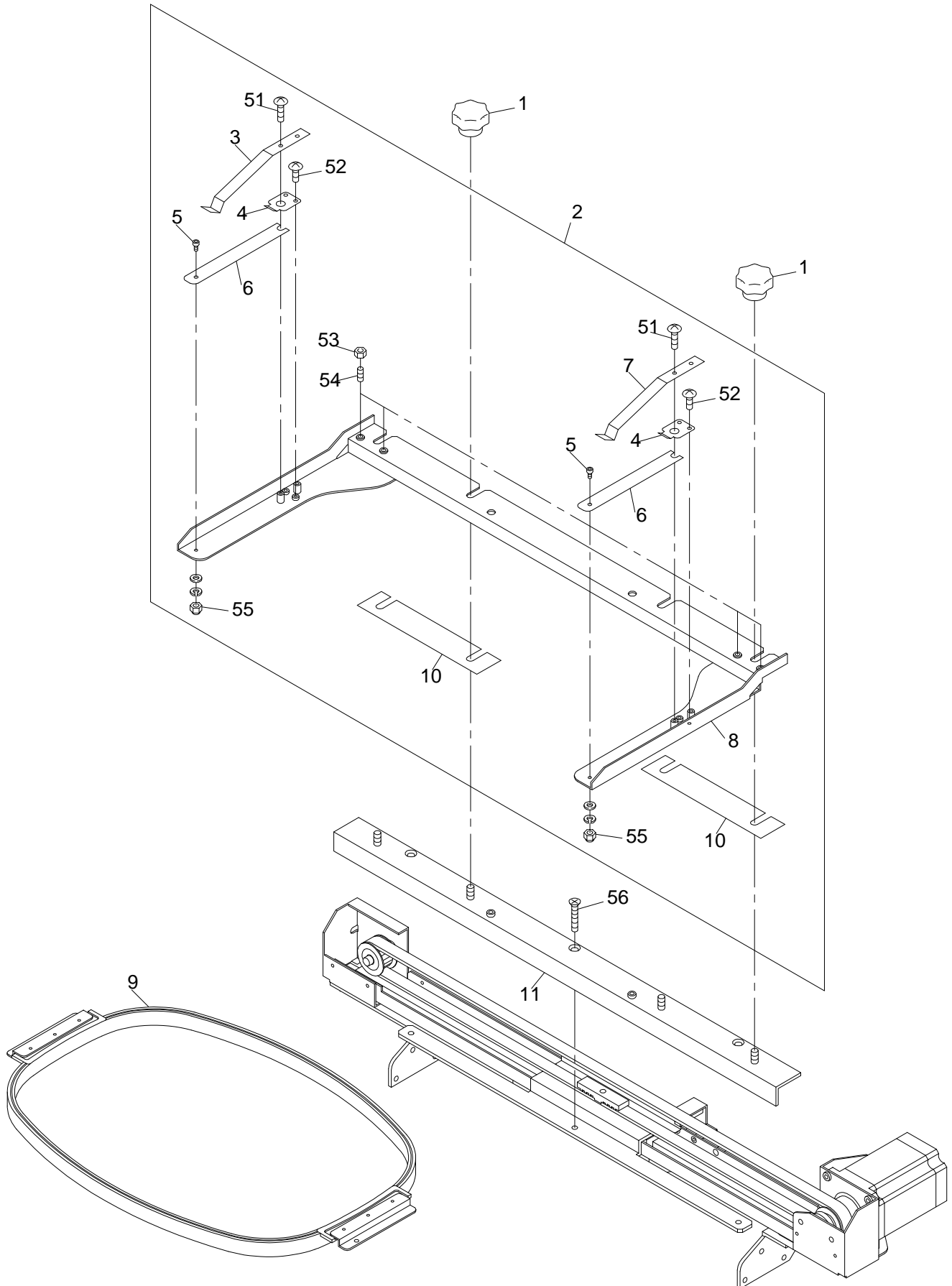
08 Drive



BEDT-ZN-101



# 10A Pantograph drive A

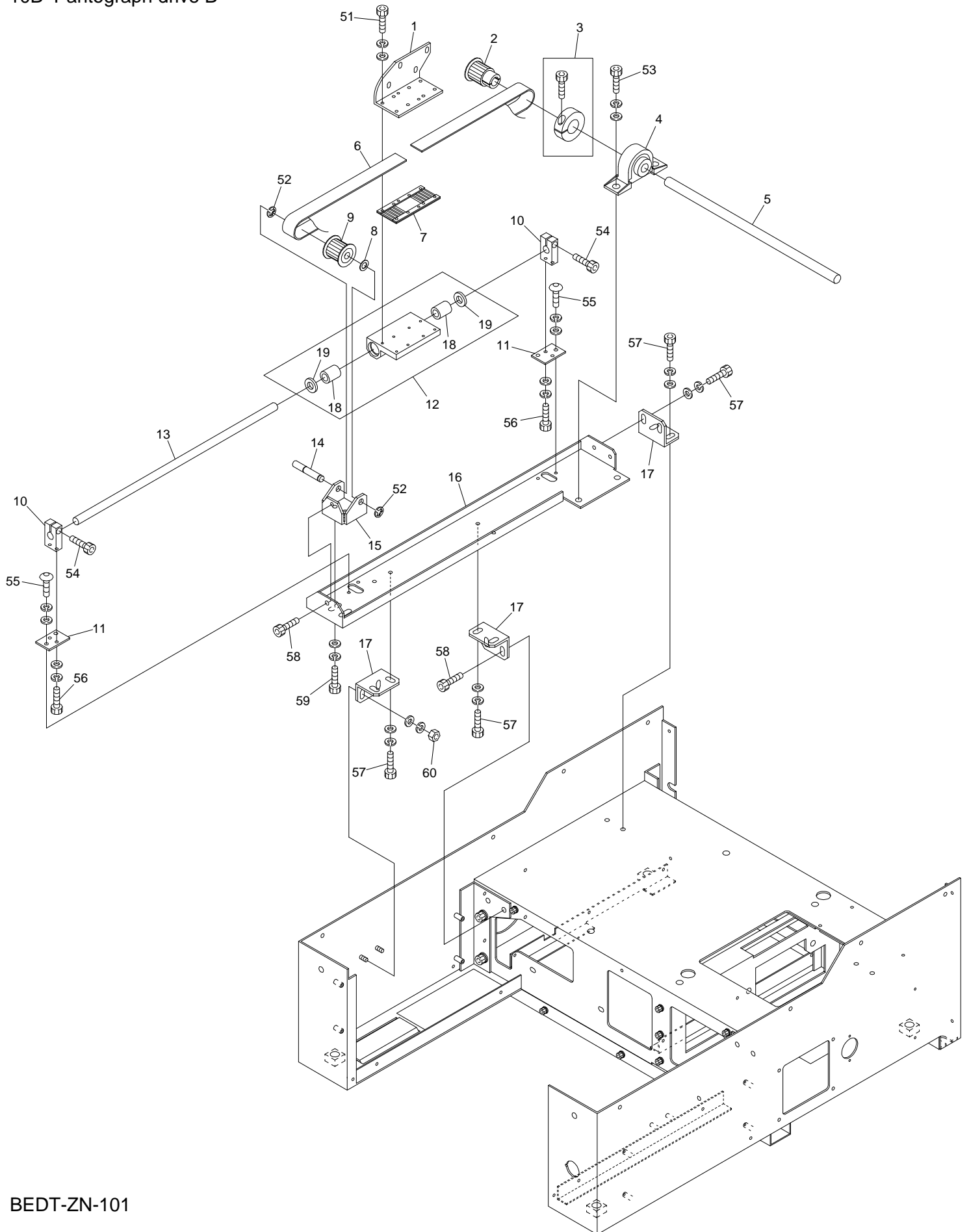


BEDT-ZN-101(250x400)

040427



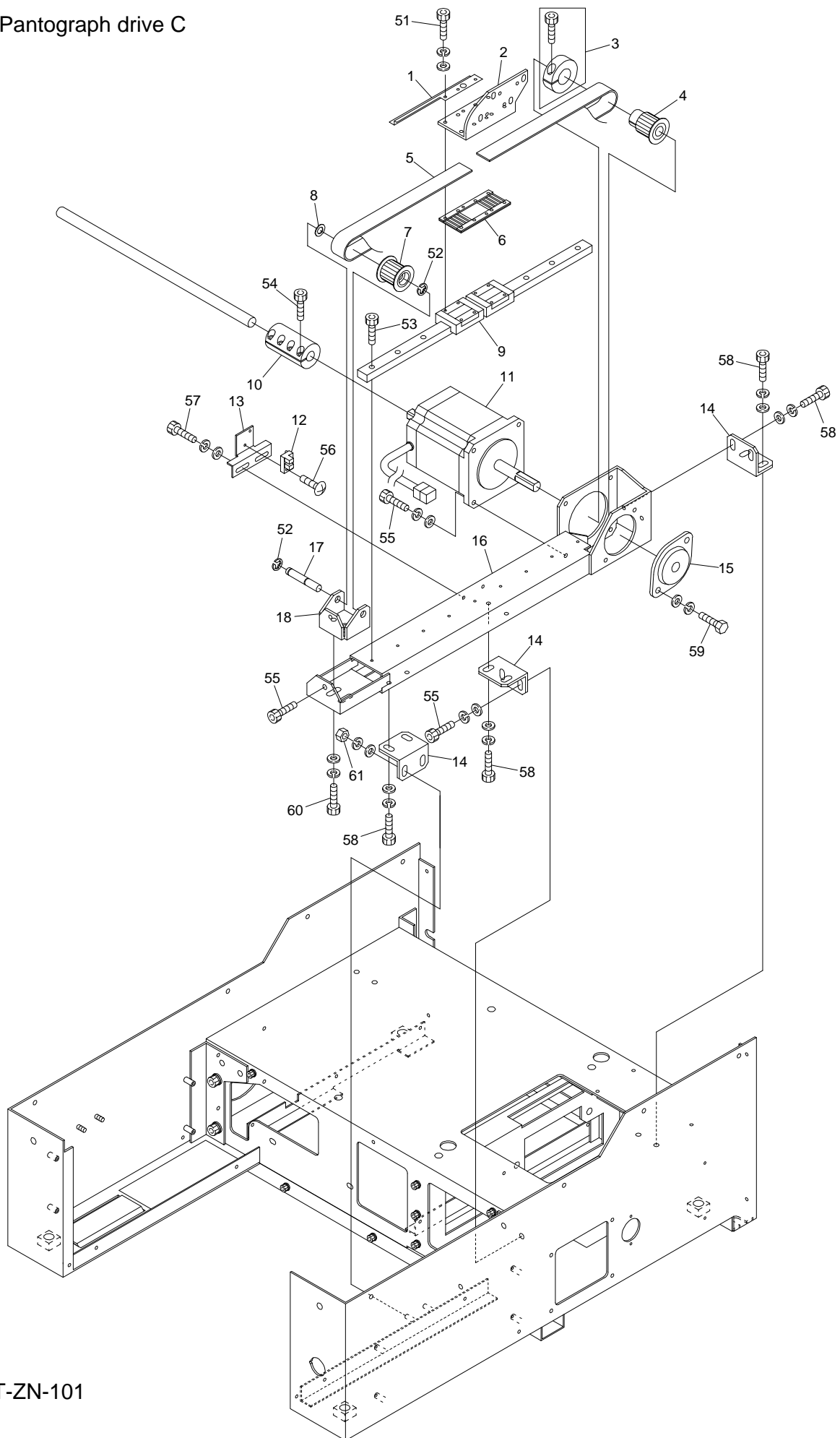
10B Pantograph drive B







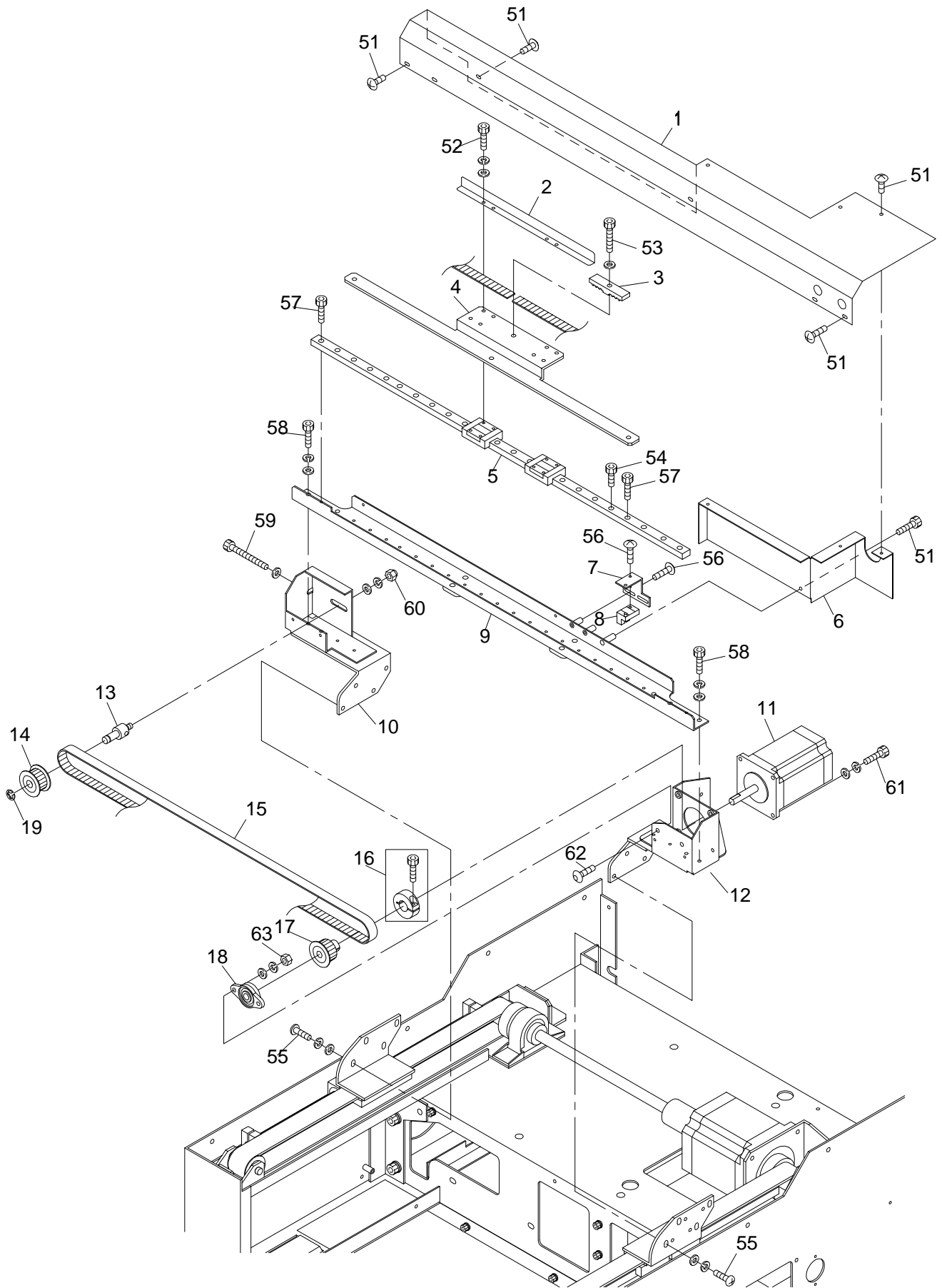
# 10C Pantograph drive C



BEDT-ZN-101

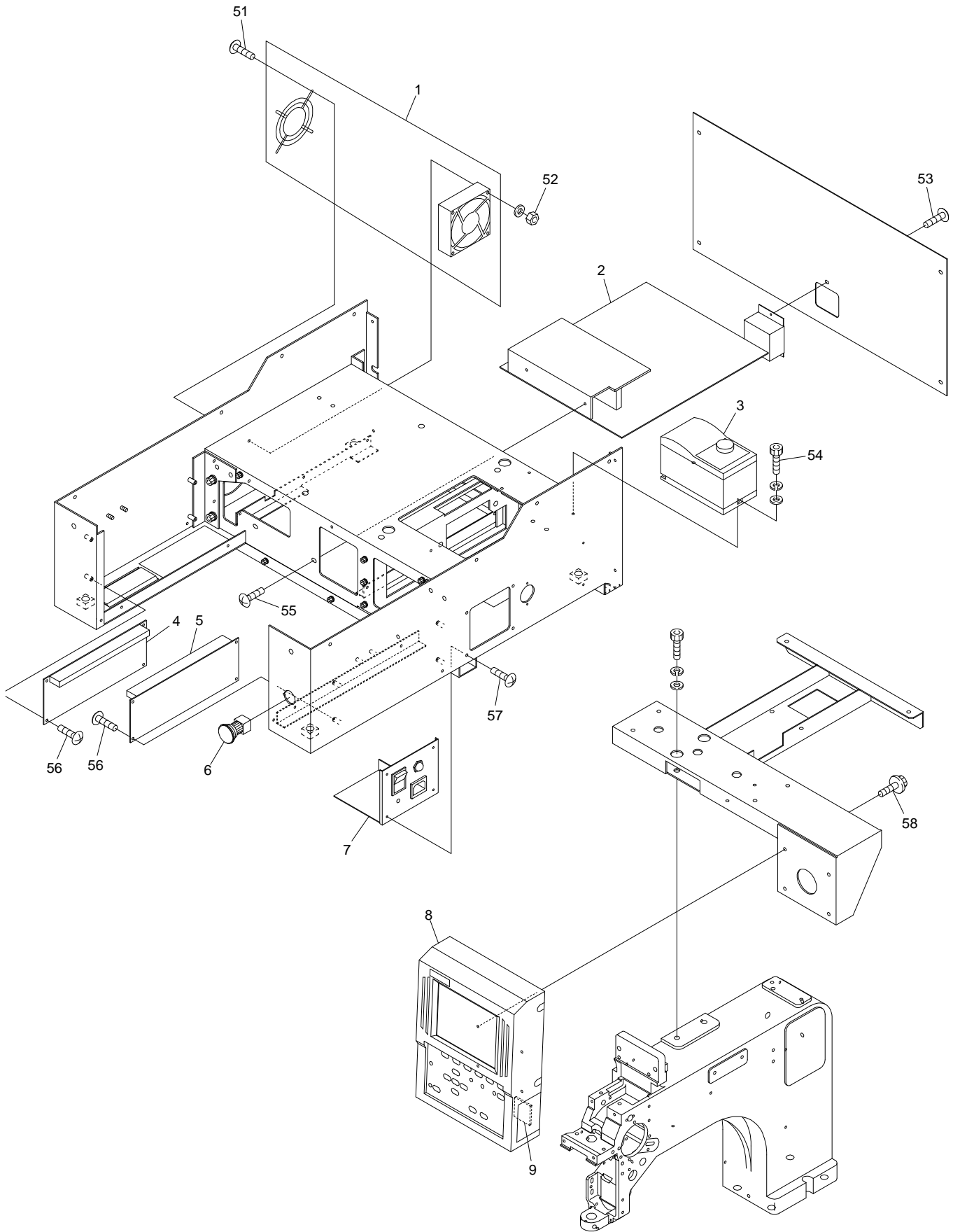


# 10D Pantograph drive D





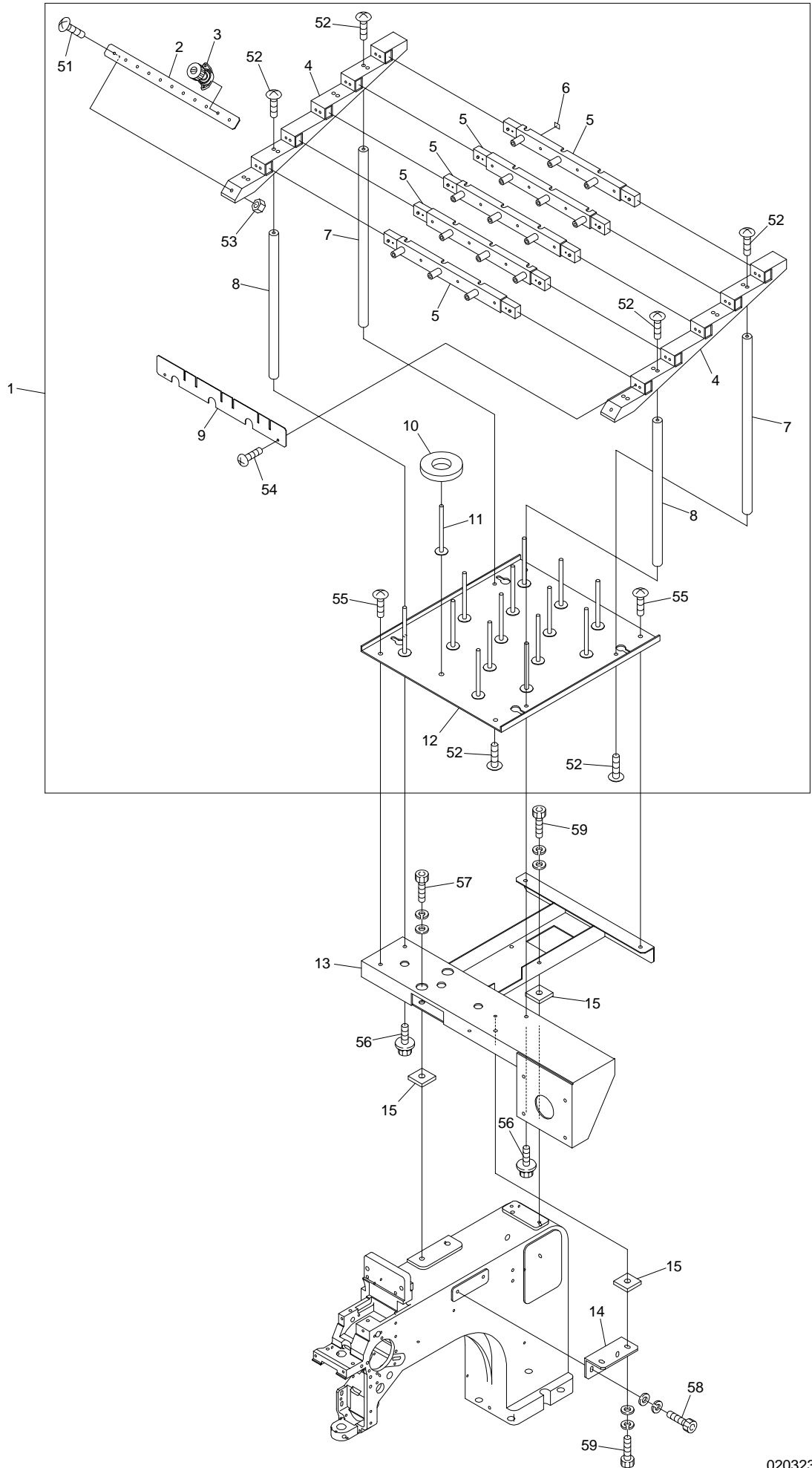
# 11 Control



BEDT-ZN-101



12 Accessories

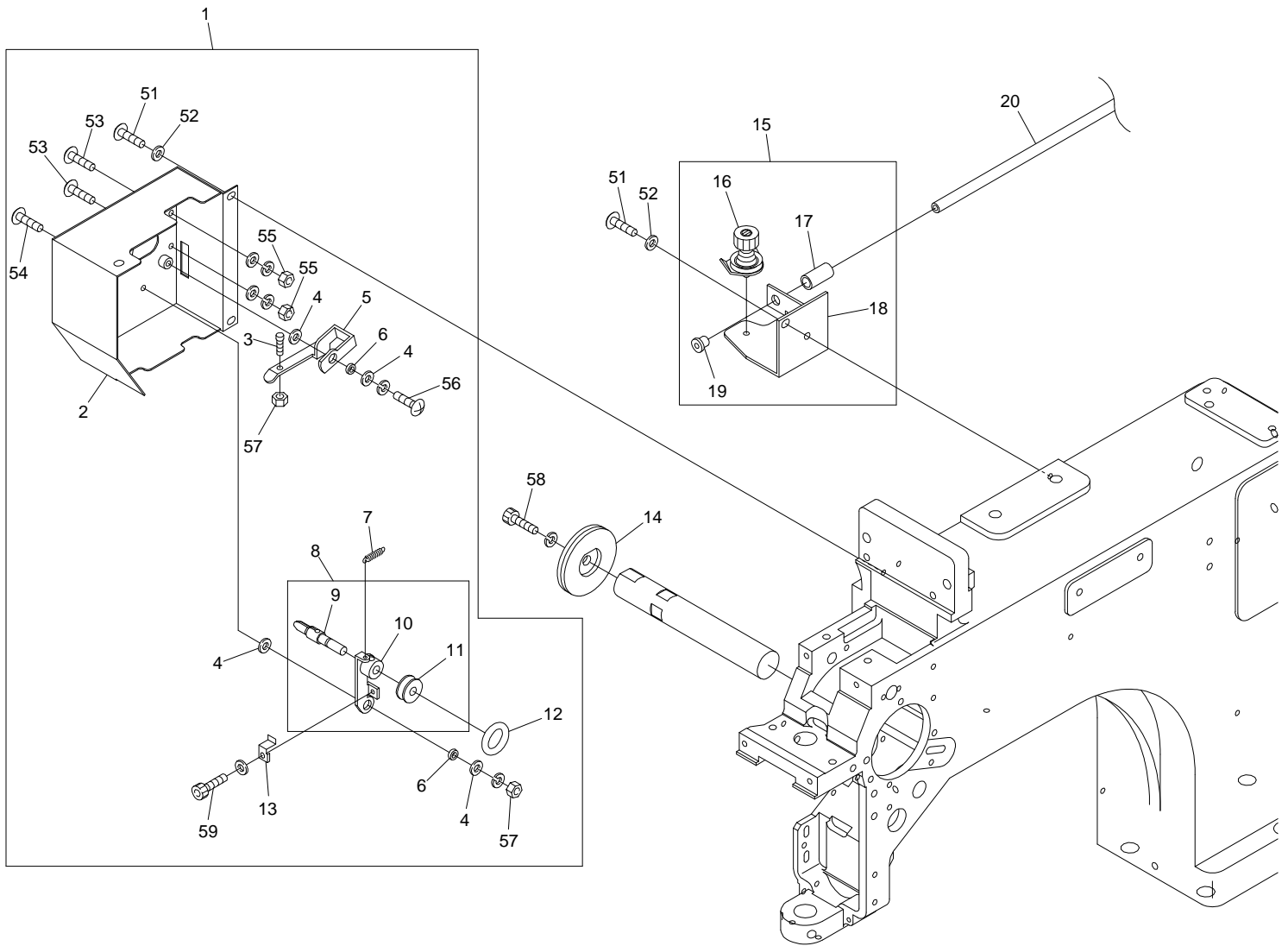


BEDT-ZN-101





# 13 Lower thread roll





| List No. | Section No. | Item | List No.        | Section No. | Item |
|----------|-------------|------|-----------------|-------------|------|
| A9010063 | 07          | 2    | A9056040        | 02A         | 15   |
| A9010065 | 04B         | 30   | A9056041        | 02C         | 1    |
| A9010073 | 03          | 19   | A9068032        | 06          | 21   |
| A9010109 | 07          | 11   | EAY070A1        | 11          | 8    |
| A9010110 | 01B         | 8    | EBY01625        | 06          | 19   |
| A9011103 | 10B         | 18   | EBY01710        | 11          | 6    |
| A9011111 | 01B         | 15   | EBY02580        | 06          | 17   |
| A9011123 | 10B         | 19   | EBY02620        | 11          | 2    |
| A9011236 | 10B         | 4    | EBY02630        | 11          | 3    |
| A9011241 | 07          | 13   | EBY02640        | 11          | 7    |
| A9011245 | 10B         | 13   | EBY02650        | 11          | 5    |
| A9011246 | 10C         | 9    | EBY02660        | 11          | 4    |
| A9011247 | 10D         | 5    | EBY02670        | 11          | 3    |
| A9011248 | 04A         | 17   | EBY02710        | 10C         | 12   |
| A9011249 | 10C         | 15   | EBY02710        | 10D         | 8    |
| A9011250 | 10D         | 18   | EBY02720        | 11          | 1    |
| A9011251 | 03          | 28   | FN070011SNY     | 04A         | 15   |
| A9011252 | 01B         | 21   | FR92240240A380A | 10A         | 9    |
| A9011253 | 01B         | 4    | HB230070        | 03          | 22   |
| A9012027 | 01A         | 10   | HB230080        | 03          | 21   |
| A9012053 | 04B         | 29   | HB230200        | 04B         | 13   |
| A9012114 | 02B         | 12   | HB230220        | 04C         | 9    |
| A9012127 | 04B         | 9    | HB230261        | 04C         | 8    |
| A9012164 | 10B         | 8    | HB230271        | 04C         | 3    |
| A9012164 | 10C         | 8    | HB230281        | 04C         | 6    |
| A9012368 | 04B         | 24   | HB230361        | 04C         | 5    |
| A9012421 | 03          | 20   | HB230620        | 03          | 24   |
| A9012433 | 10A         | 1    | HB230650        | 03          | 7    |
| A9012436 | 00          | 3    | HB230800        | 03          | 10   |
| A9013066 | 02A         | 11   | HB240020        | 05          | 6    |
| A9013071 | 01B         | 12   | HB240030        | 05          | 7    |
| A9013072 | 10D         | 16   | HB240041        | 05          | 9    |
| A9014167 | 04A         | 21   | HH481980        | 10B         | 3    |
| A9019071 | 00          | 13   | HH481980        | 10C         | 3    |
| A9019072 | 13          | 4    | HP220712        | 01A         | 19   |
| A9020206 | 08          | 1    | HP241430        | 12          | 3    |
| A9020207 | 01B         | 2    | HP321082        | 01B         | 20   |
| A9020208 | 10B         | 6    | HP321090        | 01B         | 19   |
| A9020208 | 10C         | 5    | HS210031        | 01A         | 9    |
| A9020209 | 10D         | 15   | HS210051        | 02A         | 1    |
| A9020210 | 01B         | 3    | HS210080        | 02A         | 19   |
| A9052028 | 02C         | 3    | HS210300        | 02A         | 2    |
| A9052078 | 02B         | 1    | HT220061        | 01A         | 18   |
| A9054053 | 11          | 9    | HT230120        | 04A         | 11   |
| A9056039 | 05          | 1    | HT230220        | 05          | 4    |

| List No. | Section No. | Item | List No. | Section No. | Item |
|----------|-------------|------|----------|-------------|------|
| HT230263 | 04A         | 7    | KL270260 | 02C         | 2    |
| HT230280 | 04B         | 27   | KL270450 | 02C         | 7    |
| HT230290 | 04B         | 22   | KN270952 | 02A         | 10   |
| HT230330 | 04A         | 6    | KN270961 | 02A         | 8    |
| HT230340 | 04B         | 21   | KN272010 | 02A         | 12   |
| HT230380 | 04C         | 12   | KN272401 | 02A         | 17   |
| HT230410 | 04C         | 7    | KN272401 | 02C         | 5    |
| HT230450 | 04B         | 11   | KN540510 | 06          | 12   |
| HT230470 | 04B         | 6    | KV230040 | 04A         | 5    |
| HT230480 | 04B         | 16   | KX230040 | 04A         | 28   |
| HT230490 | 04B         | 7    | KX230071 | 04B         | 4    |
| HT230510 | 04B         | 14   | KX230141 | 04A         | 19   |
| HT230520 | 04B         | 23   | KX230152 | 04A         | 18   |
| HT230560 | 04B         | 28   | KX240161 | 04D         | 4    |
| HT230620 | 05          | 5    | KX250080 | 01A         | 13   |
| HT230730 | 04B         | 8    | KX250080 | 02A         | 5    |
| HT230750 | 04B         | 5    | KX270000 | 02A         | 21   |
| HT230760 | 04B         | 12   | KX270010 | 02A         | 9    |
| HT240101 | 06          | 13   | KX270023 | 02A         | 7    |
| HT240180 | 06          | 15   | KX270283 | 02A         | 6    |
| HT240290 | 06          | 3    | KX270430 | 02A         | 20   |
| HT240480 | 13          | 19   | KX330160 | 07          | 3    |
| HT270181 | 02A         | 13   | KX330280 | 07          | 5    |
| HT710000 | 12          | 11   | LA230080 | 04B         | 31   |
| KC250482 | 01A         | 8    | LA230140 | 04B         | 32   |
| KC271001 | 02A         | 3    | LA250040 | 01A         | 15   |
| KC271120 | 02B         | 11   | LA270040 | 02A         | 16   |
| KC271940 | 02A         | 18   | LA730610 | 10A         | 5    |
| KF220230 | 01A         | 4    | MB295250 | 02B         | 4    |
| KF220290 | 01A         | 16   | MB295260 | 02B         | 7    |
| KF220530 | 01A         | 2    | MB295270 | 02B         | 6    |
| KF220710 | 01A         | 3    | MB295290 | 02B         | 5    |
| KF221020 | 01A         | 1    | MF210070 | 02B         | 3    |
| KF230501 | 03          | 5    | MF210080 | 02B         | 2    |
| KF230530 | 04B         | 10   | MF310000 | 08          | 2    |
| KF230680 | 03          | 6    | MF330020 | 07          | 4    |
| KF230910 | 04A         | 10   | MF510000 | 01B         | 10   |
| KF710390 | 12          | 10   | MF510010 | 07          | 15   |
| KL220070 | 01A         | 17   | MF510020 | 02B         | 10   |
| KL220120 | 01A         | 11   | MF510030 | 08          | 4    |
| KL220140 | 01A         | 5    | MG210050 | 02B         | 9    |
| KL270091 | 02C         | 8    | MG210070 | 02B         | 8    |
| KL270101 | 02C         | 9    | MG330030 | 07          | 10   |
| KL270120 | 02C         | 11   | MG330040 | 07          | 9    |
| KL270130 | 02C         | 10   | MG330050 | 07          | 12   |

| List No. | Section No. | Item | List No. | Section No. | Item |
|----------|-------------|------|----------|-------------|------|
| MG330060 | 07          | 7    | MH240041 | 06          | 9    |
| MG330070 | 07          | 16   | MH240051 | 06          | 11   |
| MG330080 | 07          | 14   | MH240060 | 06          | 14   |
| MG330090 | 07          | 6    | MH250000 | 01A         | 14   |
| MG330110 | 07          | 8    | MH250010 | 07          | 1    |
| MH110001 | 00          | 12   | MH250020 | 07          | 18   |
| MH110020 | 00          | 16   | MH250031 | 10D         | 1    |
| MH110031 | 00          | 15   | MH250041 | 10D         | 6    |
| MH120000 | 00          | 2    | MH250050 | 00          | 14   |
| MH120010 | 00          | 4    | MH250060 | 00          | 8    |
| MH120020 | 00          | 1    | MH250071 | 00          | 5    |
| MH210021 | 01B         | 9    | MH250080 | 00          | 11   |
| MH210031 | 01A         | 12   | MH250090 | 00          | 9    |
| MH210040 | 01A         | 7    | MH250101 | 01B         | 1    |
| MH210050 | 00          | 6    | MH250110 | 01B         | 24   |
| MH210060 | 01B         | 23   | MH250120 | 04D         | 3    |
| MH210070 | 00          | 7    | MH250130 | 07          | 17   |
| MH210080 | 01B         | 16   | MH250140 | 00          | 10   |
| MH210090 | 01B         | 17   | MH270000 | 04D         | 6    |
| MH210100 | 01B         | 18   | MH270010 | 04D         | 7    |
| MH220000 | 01A         | 6    | MH270020 | 02A         | 4    |
| MH230000 | 04A         | 1    | MH270030 | 02A         | 14   |
| MH230011 | 04A         | 26   | MH270040 | 02C         | 14   |
| MH230021 | 04A         | 27   | MH270050 | 02C         | 18   |
| MH230031 | 04A         | 22   | MH270060 | 02C         | 20   |
| MH230040 | 04A         | 24   | MH270070 | 02C         | 19   |
| MH230051 | 03          | 31   | MH270080 | 02C         | 13   |
| MH230061 | 03          | 32   | MH270090 | 02C         | 12   |
| MH230070 | 03          | 14   | MH270100 | 02C         | 15   |
| MH230080 | 03          | 15   | MH270110 | 02C         | 16   |
| MH230090 | 03          | 17   | MH270120 | 02C         | 17   |
| MH230100 | 04A         | 23   | MH310000 | 08          | 3    |
| MH230110 | 04A         | 20   | MH310010 | 01B         | 11   |
| MH230120 | 04A         | 29   | MH310020 | 01B         | 22   |
| MH230130 | 04A         | 30   | MH310031 | 01B         | 14   |
| MH230140 | 04B         | 1    | MH310041 | 01B         | 13   |
| MH230150 | 04C         | 1    | MH310051 | 01B         | 25   |
| MH230160 | 05          | 2    | MH310060 | 01B         | 6    |
| MH230170 | 04B         | 3    | MH310070 | 01B         | 5    |
| MH230180 | 04B         | 2    | MH310091 | 01B         | 7    |
| MH230190 | 04B         | 33   | MH310100 | 03          | 30   |
| MH230200 | 04B         | 19   | MH310110 | 03          | 29   |
| MH240011 | 06          | 6    | MH480010 | 10C         | 16   |
| MH240021 | 06          | 23   | MH480020 | 10B         | 16   |
| MH240030 | 06          | 10   | MH480030 | 10B         | 2    |

| List No. | Section No. | Item | List No. | Section No. | Item |
|----------|-------------|------|----------|-------------|------|
| MH480030 | 10C         | 4    | MH620140 | 13          | 16   |
| MH480040 | 10B         | 9    | MH620160 | 13          | 18   |
| MH480040 | 10C         | 7    | MH620170 | 13          | 14   |
| MH480050 | 10B         | 5    | MH710001 | 12          | 13   |
| MH480060 | 10C         | 10   | MH710010 | 12          | 14   |
| MH480070 | 10B         | 10   | MH710020 | 12          | 1    |
| MH480080 | 10B         | 12   | MH710030 | 12          | 2    |
| MH480090 | 10B         | 7    | MH710040 | 12          | 9    |
| MH480090 | 10C         | 6    | MH710051 | 12          | 15   |
| MH480100 | 10C         | 2    | MH730001 | 10A         | 2    |
| MH480110 | 10B         | 1    | MH730011 | 10A         | 8    |
| MH480120 | 10B         | 14   | MH730020 | 10A         | 7    |
| MH480120 | 10C         | 17   | MH730030 | 10A         | 3    |
| MH480130 | 10B         | 15   | MH730041 | 10A         | 11   |
| MH480130 | 10C         | 18   | MH730060 | 10A         | 4    |
| MH480140 | 10B         | 17   | MH730070 | 10A         | 6    |
| MH480140 | 10C         | 14   | MH730080 | 10A         | 10   |
| MH480150 | 10C         | 13   | MH790000 | 01B         | 26   |
| MH480160 | 10C         | 1    | MH790010 | 00          | 17   |
| MH480171 | 10D         | 9    | RD230130 | 03          | 9    |
| MH480180 | 10D         | 17   | RD230250 | 05          | 8    |
| MH480190 | 10D         | 14   | RD230370 | 04A         | 9    |
| MH480201 | 10D         | 12   | RD230480 | 04A         | 2    |
| MH480210 | 10D         | 10   | RD230490 | 04A         | 3    |
| MH480221 | 10D         | 4    | RD240154 | 06          | 5    |
| MH480230 | 10D         | 3    | RD710120 | 13          | 17   |
| MH480240 | 10D         | 13   | RD710310 | 13          | 20   |
| MH480250 | 10D         | 7    | RD710321 | 12          | 12   |
| MH480261 | 10D         | 2    | RD710330 | 12          | 5    |
| MH480270 | 10B         | 11   | RD710340 | 12          | 4    |
| MH480280 | 10D         | 11   | RD710351 | 12          | 8    |
| MH480290 | 10C         | 11   | RD710361 | 12          | 7    |
| MH620010 | 13          | 1    | RD710380 | 12          | 6    |
| MH620020 | 13          | 8    | RH230271 | 03          | 27   |
| MH620030 | 13          | 10   | RH230280 | 03          | 26   |
| MH620040 | 13          | 9    | RH230290 | 03          | 23   |
| MH620050 | 13          | 11   | RH230300 | 03          | 25   |
| MH620060 | 13          | 2    | RH230311 | 03          | 3    |
| MH620070 | 13          | 12   | RH230320 | 03          | 12   |
| MH620080 | 13          | 7    | RH230330 | 03          | 13   |
| MH620090 | 13          | 6    | RH230410 | 04A         | 4    |
| MH620100 | 13          | 13   | RH230440 | 04A         | 12   |
| MH620110 | 13          | 5    | RH230450 | 04A         | 14   |
| MH620120 | 13          | 3    | RH230460 | 04A         | 13   |
| MH620130 | 13          | 15   | RH230540 | 04B         | 26   |

