

Barudan

HIGH SPEED AUTOMATIC EMBROIDERY MACHINE

**ELITE PRO
BEDT-ZQ-501**

with thread clamps

PARTS LIST

E L I T E P r o .
B E D T - Z N / Z Q - 5 0 1
HIGH SPEED AUTOMATIC EMBROIDERY MACHINE

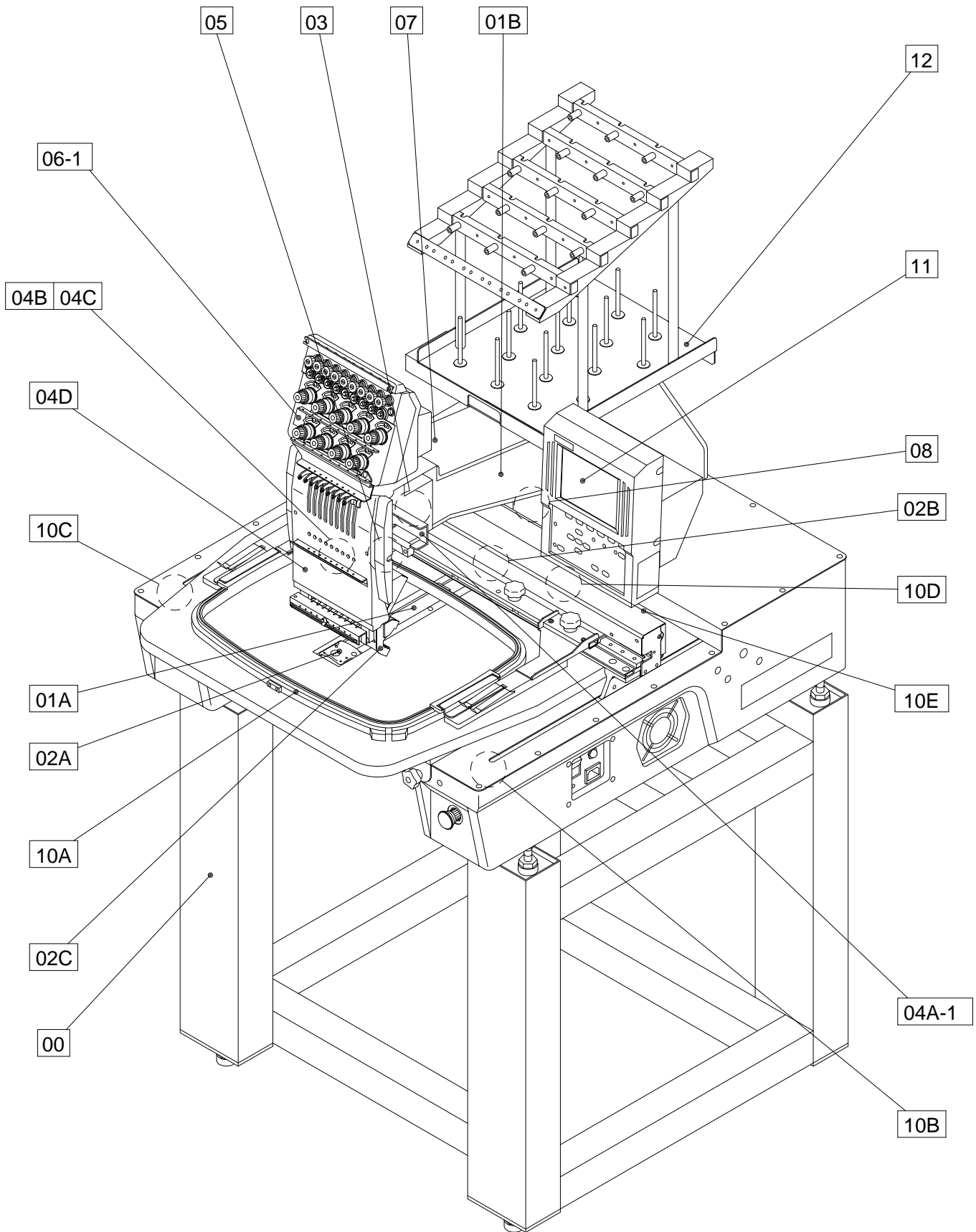
C O N T E N T S

Machine layout (BEDT-ZQ-501)

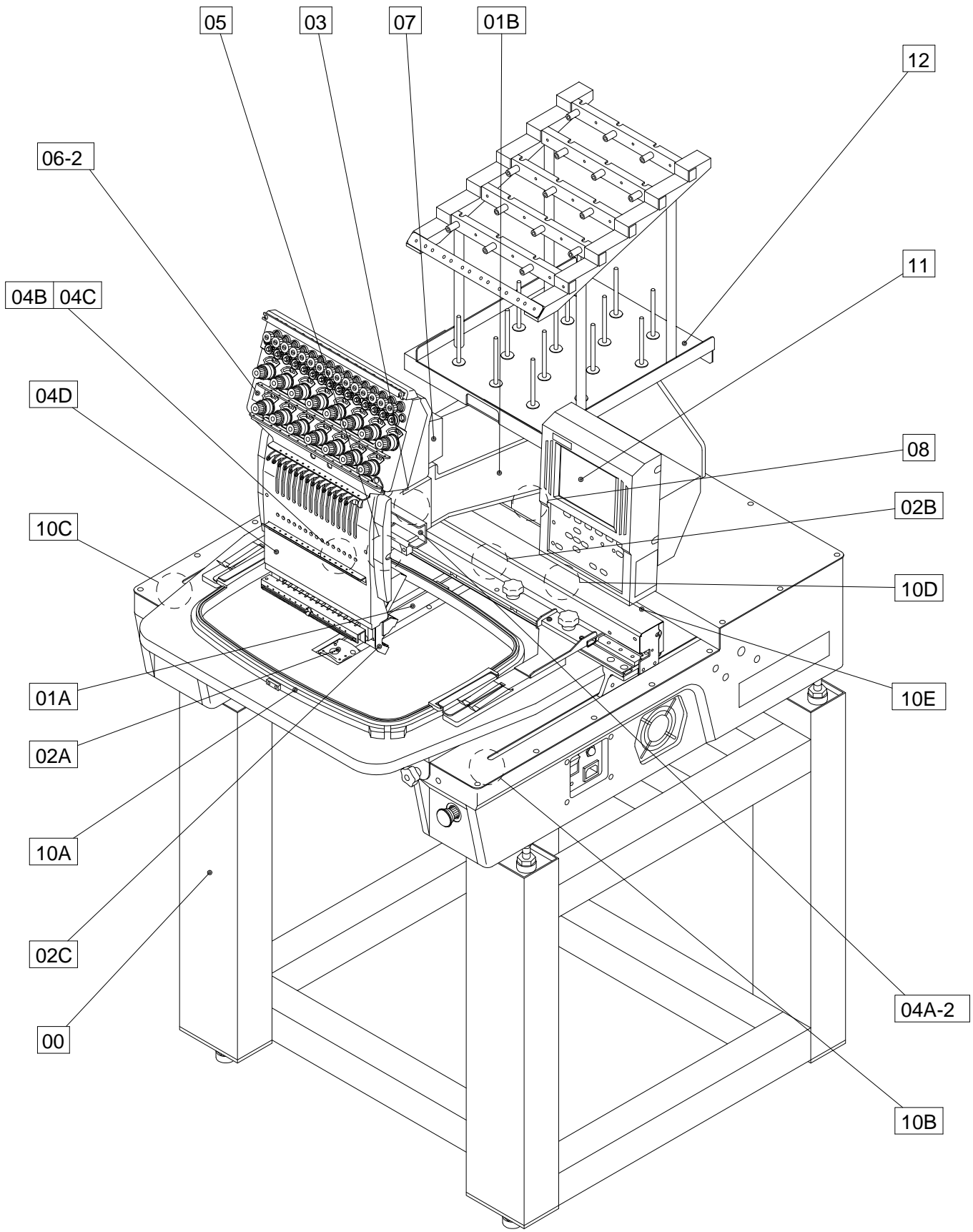
00	Table Frame	05	Jump
01A	Head Bed A	06-1	Thread guide (ZN)
01B	Head Bed B	06-2	Thread guide (ZQ)
02A	Thread cut A	07	Color change
02B	Thread cut B	08	Drive
02C	Thread cut C	10A	Pantograph drive A (QS)
03	Take up lever	10B	Pantograph drive B (QS)
04A-1	Needle bar A (ZN)	10C	Pantograph drive C
04A-2	Needle bar A (ZQ)	10D	Pantograph drive D
04B	Needle bar B	10E	Pantograph drive E
04C	Needle bar C	11	Control
04D	Needle bar D	12	Accessories

INDEX

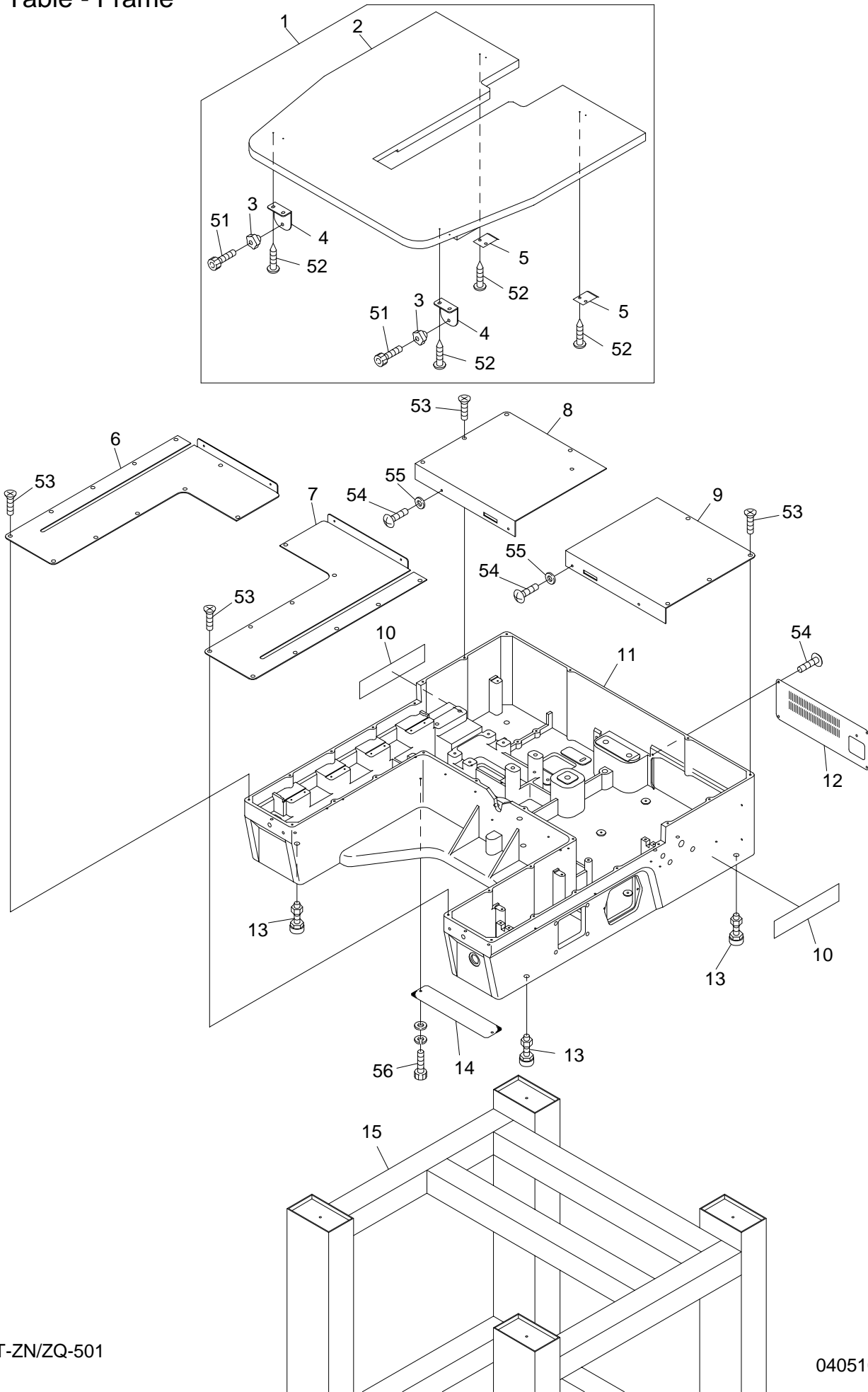
Machine Layout (BEDT-ZN-501)



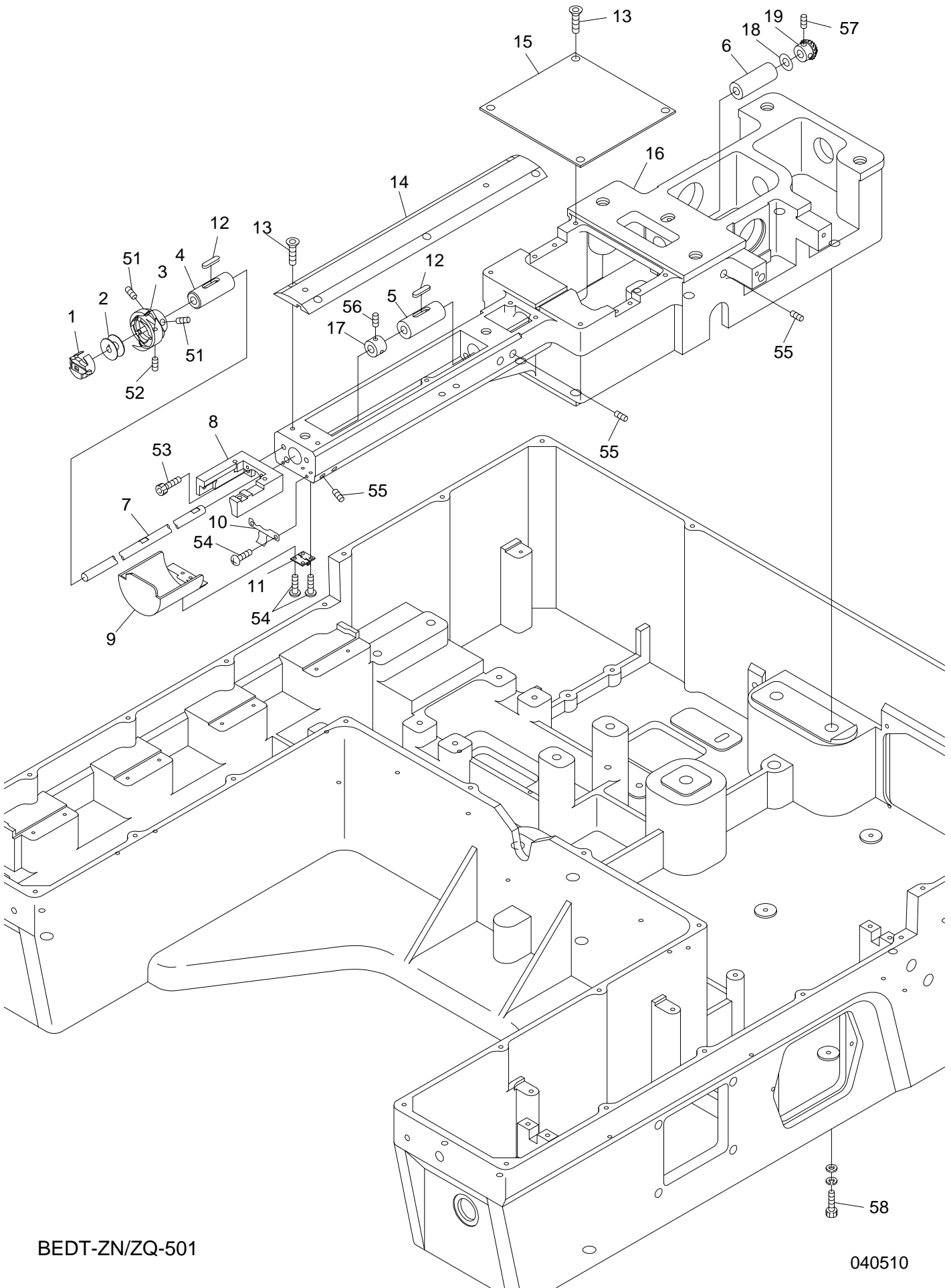
Machine Layout (BEDT-ZQ-501)



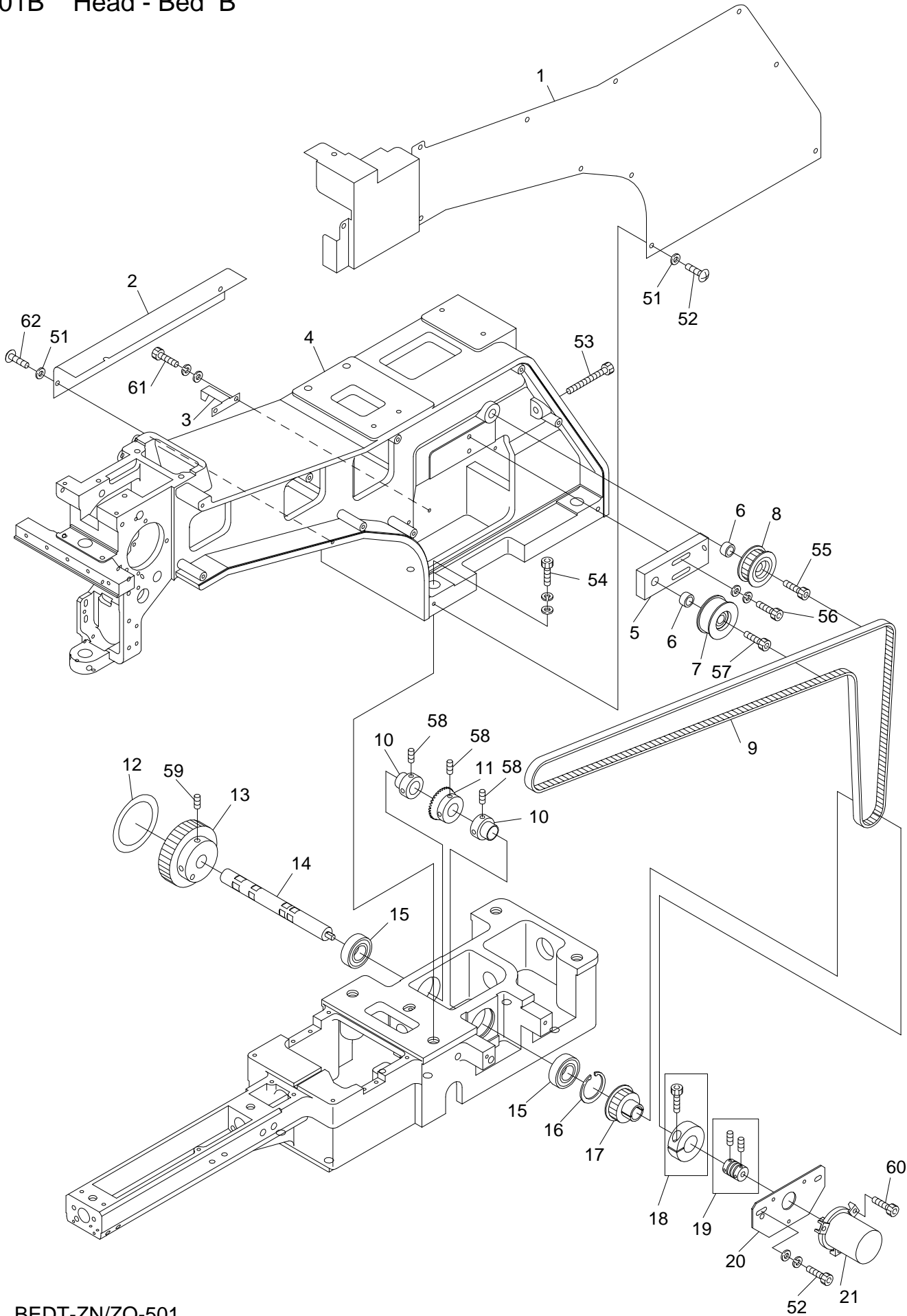
00 Table - Frame



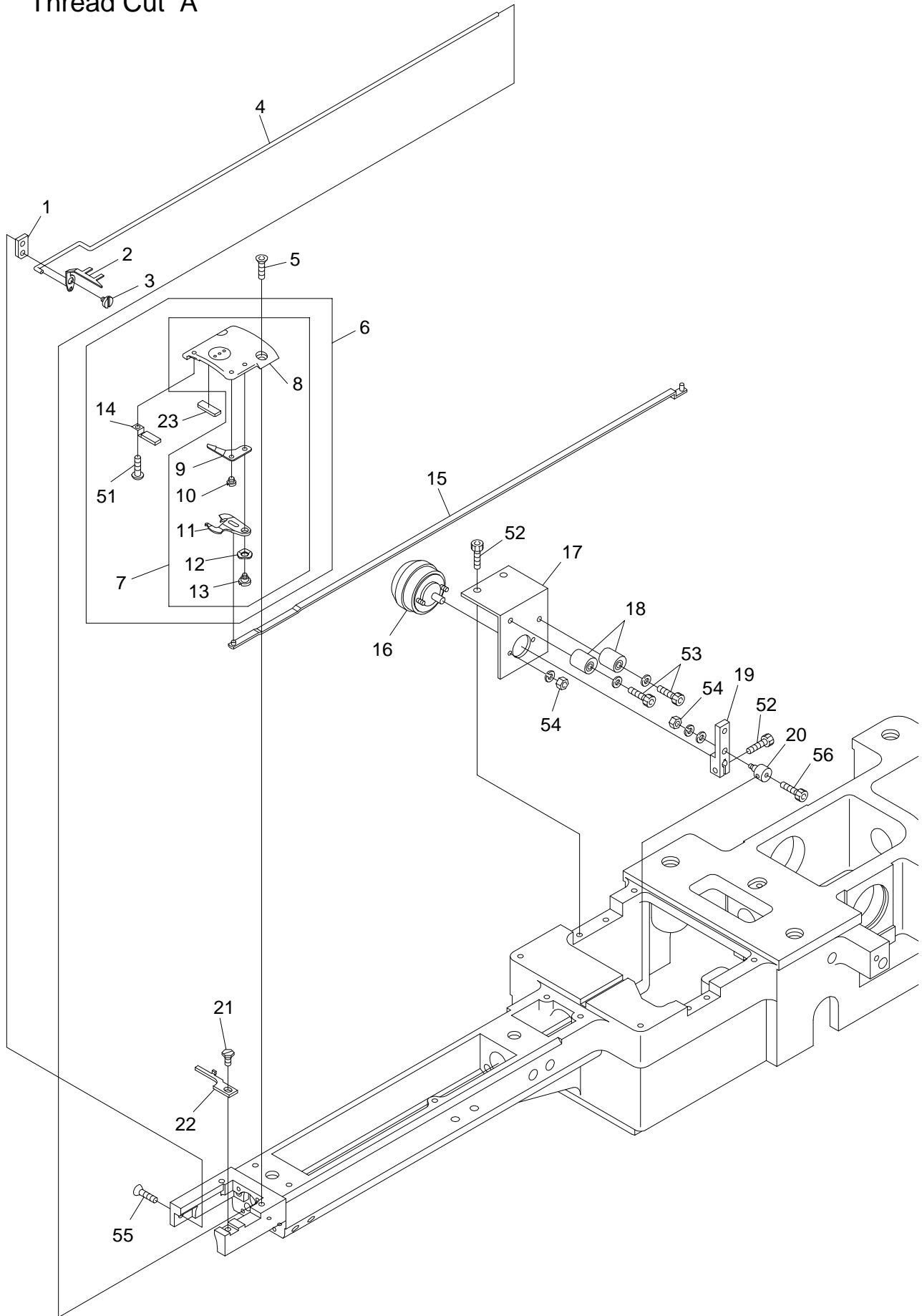
01A Head - Bed A



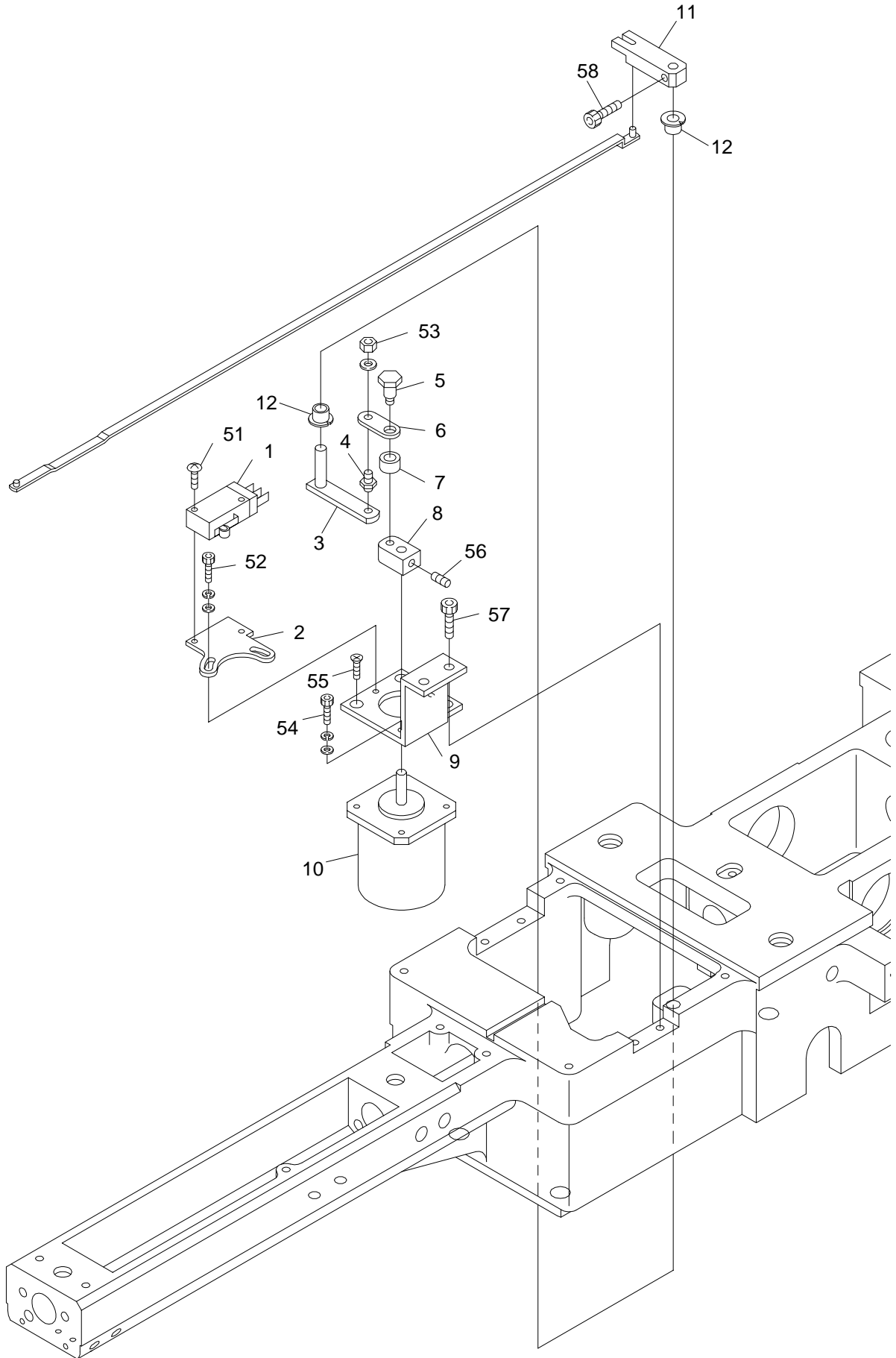
01B Head - Bed B



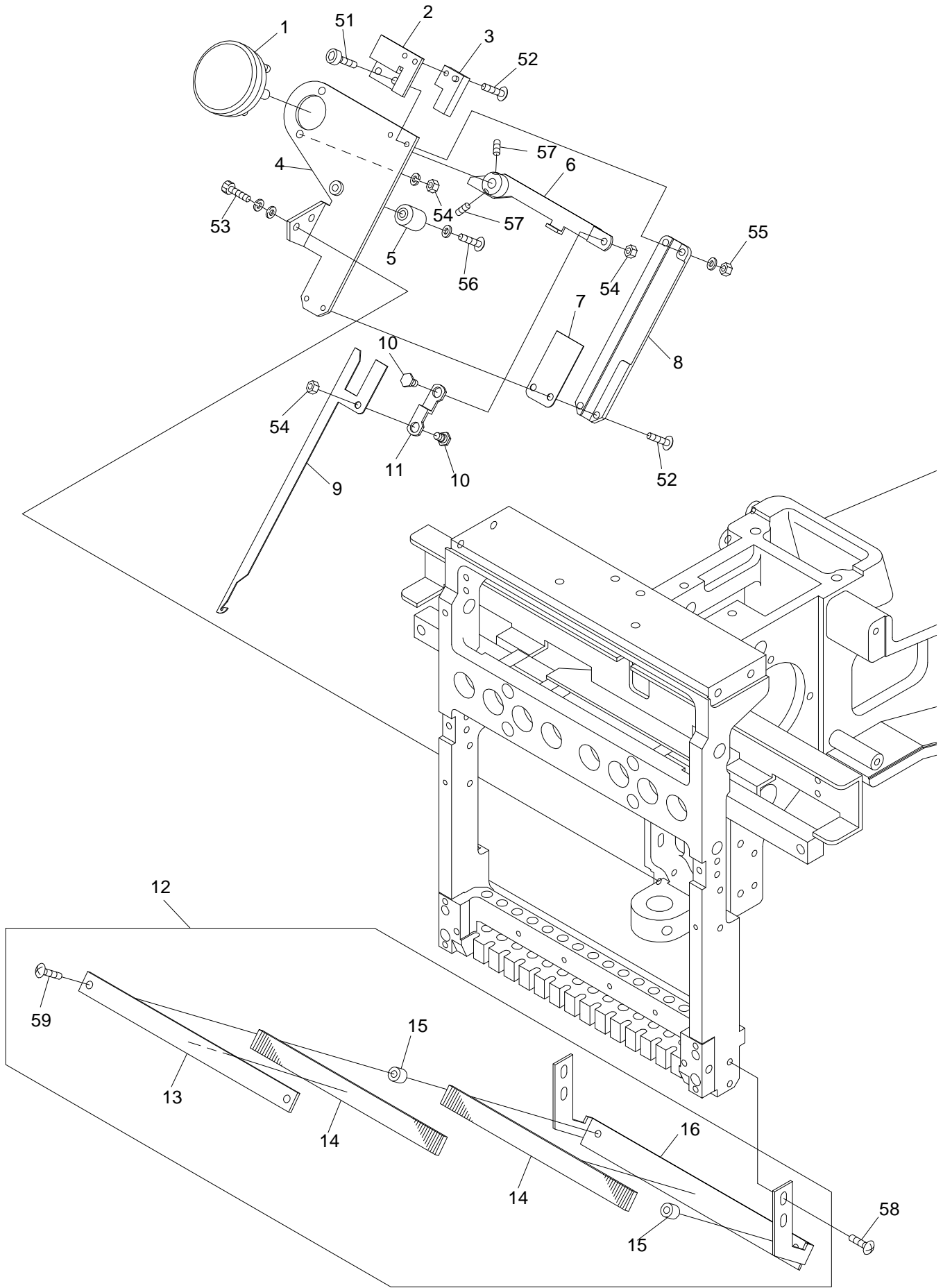
02A Thread Cut A



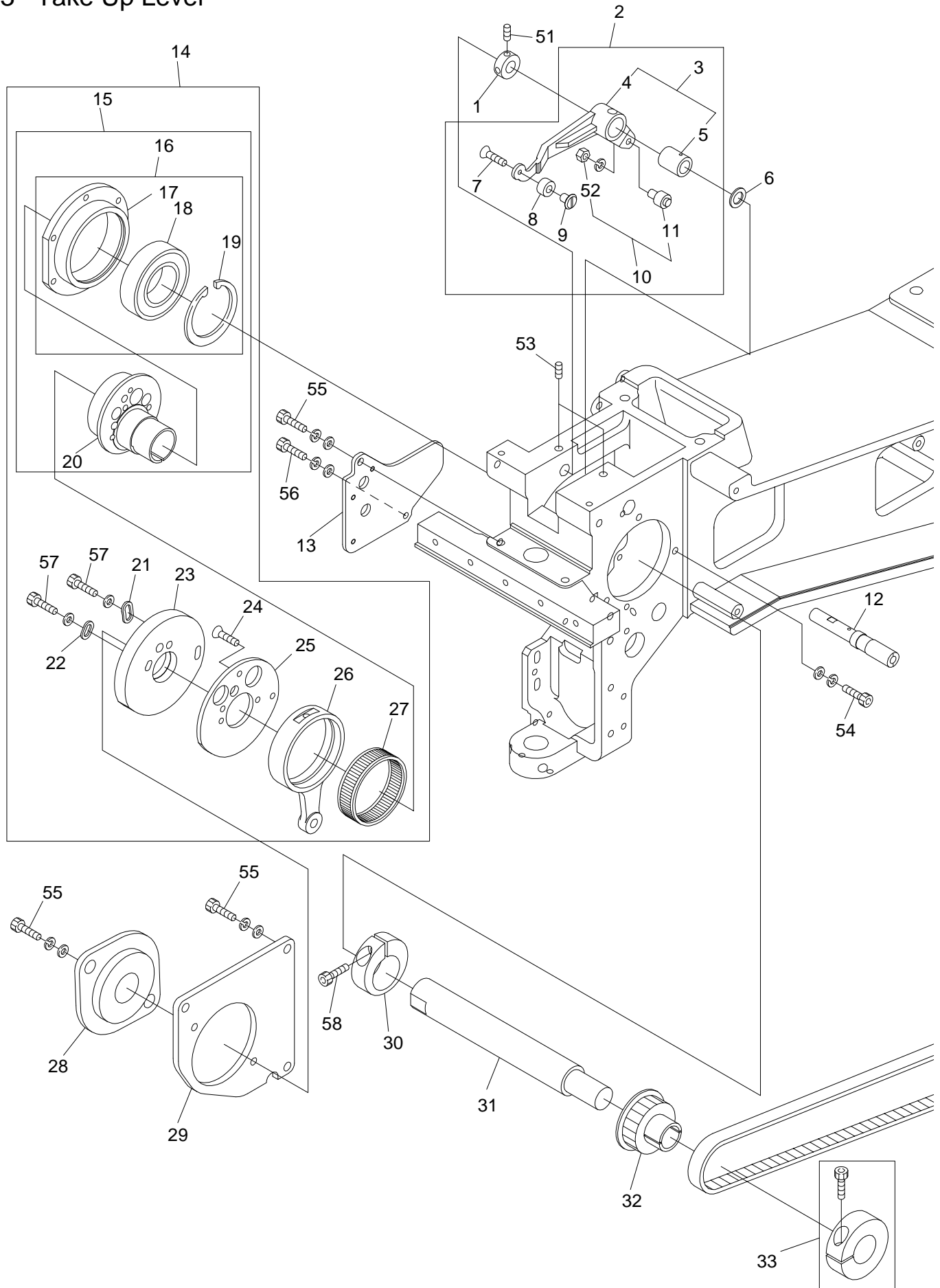
02 B Thread Cut B



02C Thread Cut C



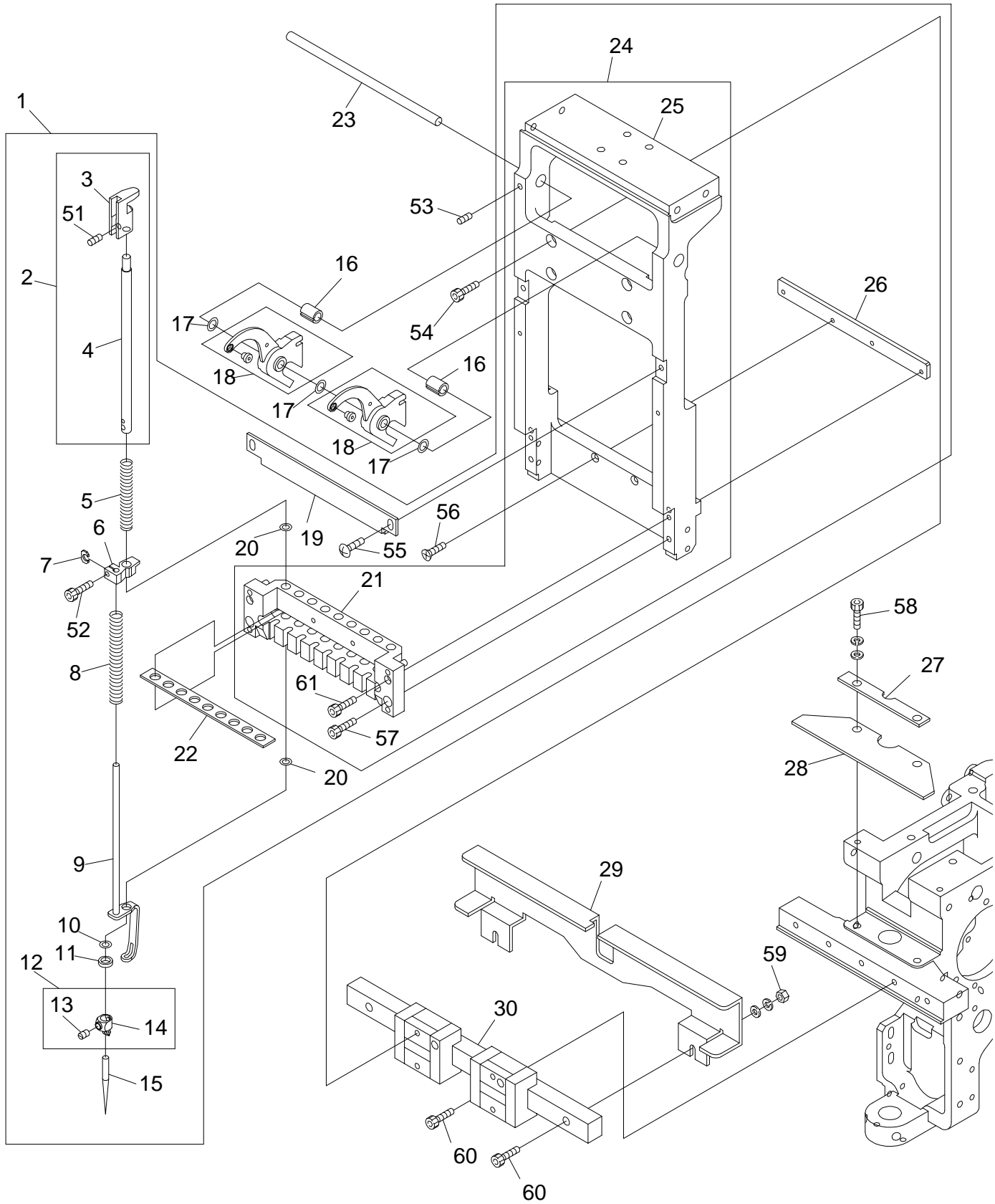
03 Take Up Lever



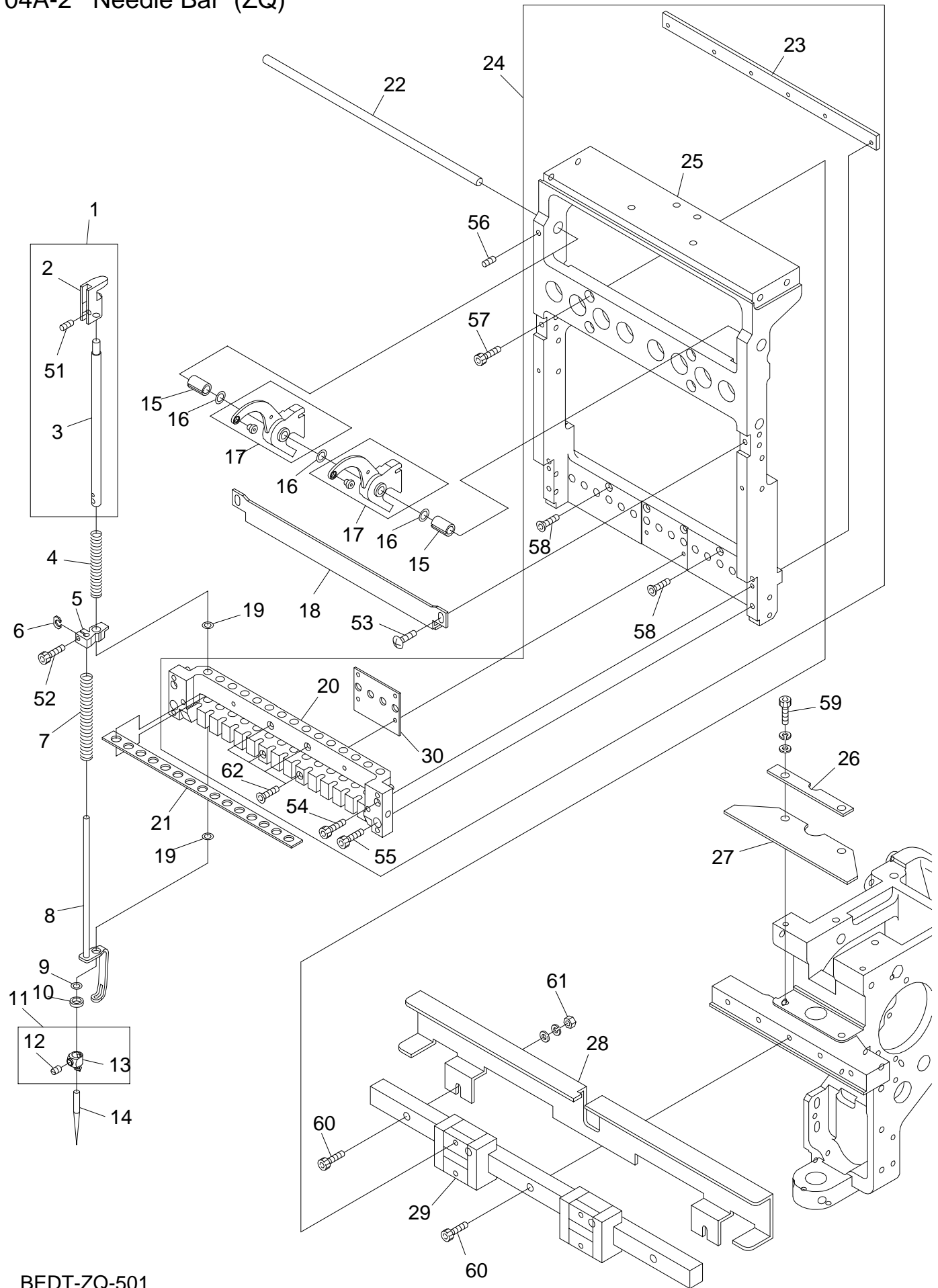
03 Take up lever

ITEM	L I S T No.	D E S C R I P T I O N	QTY	N O T E
1	HB230800	Take up lever driving lever fixing pin set collar	1	
2	MK230130	Take up lever driving lever a'ssy	1	
3	RH230801	Take up lever driving lever(Metal)	1	
4	RH230311	Take up lever driving lever	1	
5	RH230810	Take up lever metal	1	
6	RH230610	Thrust washer	1	
7	HB230650	Flush screw(With adhesion)	1	
8	MK230120	Take up lever driving roller (ELITE pro)	1	
9	RD230130	Take up lever driving roller shaft	1	
10	KF230501	Take up lever roller a'ssy	1	
11	KF230680	Cam followers(KR×4×7.9×15-1P×1)	1	
12	RH230320	Take up lever driving lever fixing pin	1	
13	MK310041	Cap cover fixed plate	1	
14	SG230370	Take up lever?Needle bar drive a'ssy (H6 cam for strengthening)	1	
15	RN230010	Needle bar driving cam a'ssy	1	
16	RN230030	Bearing case a'ssy	1	
17	RN230040	Bearing case	1	
18	A9010073	Ball bearing(6005ZZ)	1	
19	A9012421	C-ring for hole 47dia.	1	
20	RN230020	Needle bar driving cam (Eccentricity 9.2 x 20)	1	
21	HB230080	Washer for cam(2)	1	
22	HB230070	Washer for cam(1)	1	
23	SG230240	Take up lever cam H6(Strengthening type)	1	
24	HB230620	Flush screw	3	
25	RH230300	Take up lever cam base	1	
26	RH230280	Needle bar crank rod	1	
27	RH230271	Needle bearing (HL-8E-K42x46x12.8x2)	1	
28	A9011251	Frang unit(SBPFL 204)	1	
29	MK310050	Bearing plate	1	
30	RH230330	Needle bar driving cam set collar	1	
31	MK220010	Upper shaft	1	
32	MK230000	Needle shaft drive pulley	1	
33	HH481980	19 dia. clamp	1	
51		Hex.socket set screw M4×4(With adhesion)		
52		Hex.nut M4(With spring washer)		
53		Hex.socket set screw M5×5		
54		Hex.socket bolt M4×15(With washers)		
55		Hex.socket bolt M5×15(With washers)		
56		Hex.socket bolt M4×12(With washers)		
57		Hex.socket bolt M4×8		
58		Hex.socket bolt M5×18		

04A-1 Needle Bar A (ZN)



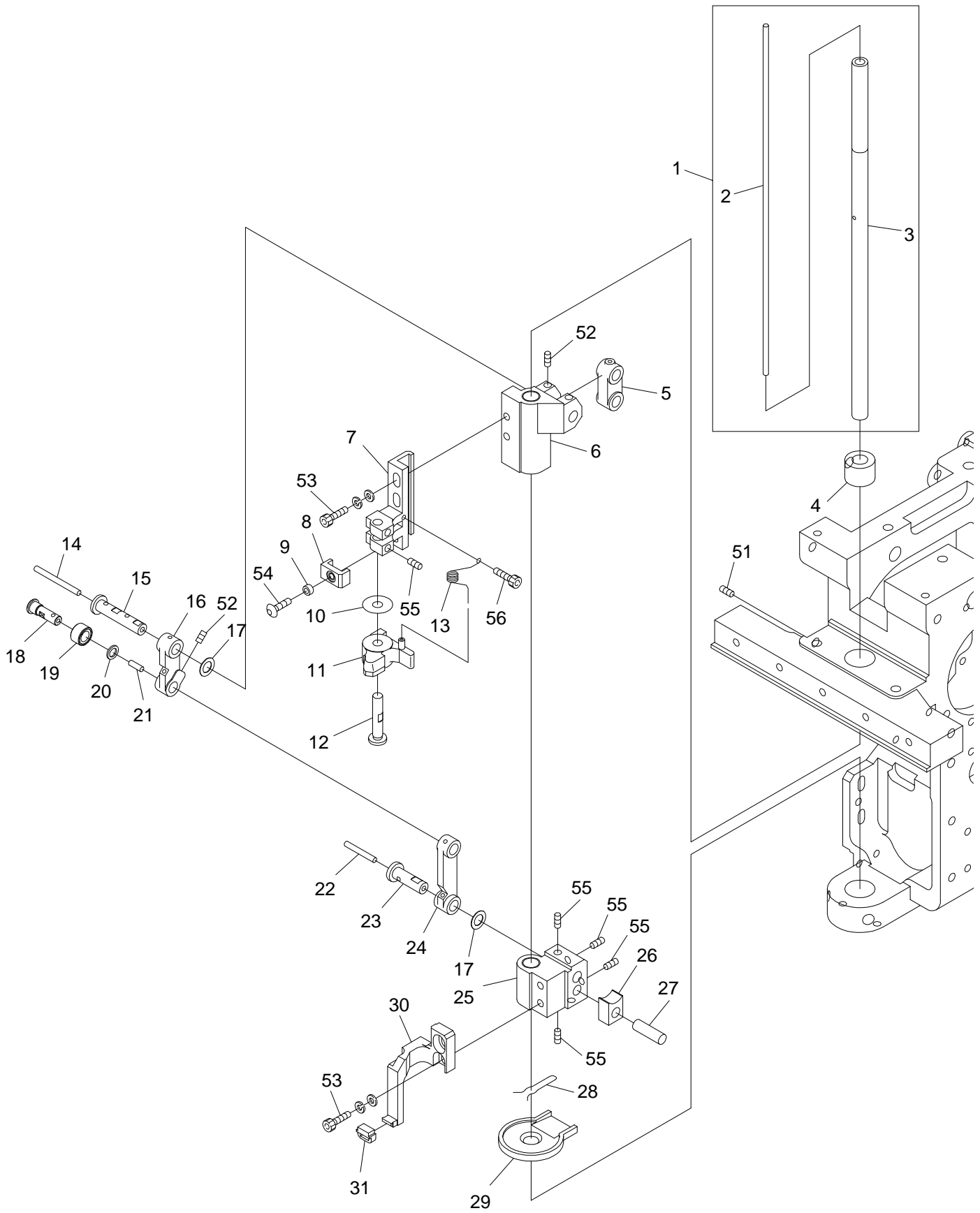
04A-2 Needle Bar (ZQ)



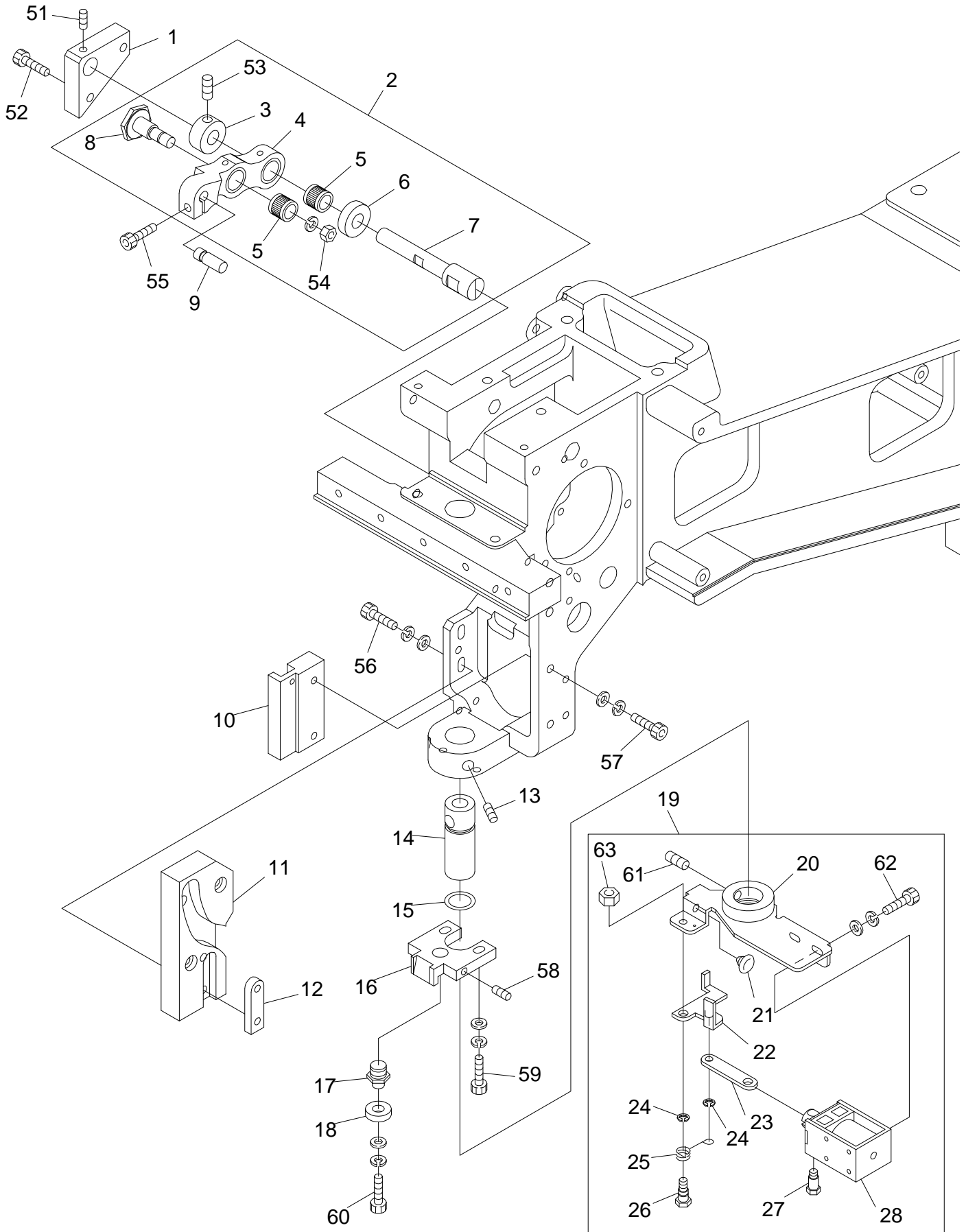
04 A-2 Needle bar A (ZQ)

ITEM	LIST No.	DESCRIPTION	QTY	NOTE
1	RD230480	Needle bar a'ssy	1 5	
2	RD230490	Needle bar guide	1 5	
3	RH230410	Needle bar	1 5	
4	HT250251	Needle bar spring(Upper)	1 5	
5	HT230330	Cloth hold set clamp	1 5	
6	HT230263	Washer for set clamp	1 5	
7	SG230220	Needle bar spring lower	1 5	
8	RD230370	Cloth hold(ZQ4)	1 5	
9	KF230910	O-ring(AN6227-5)	1 5	
10	HT230120	Washer 2.4	1 5	
11	RH230440	Needle clamp(With hook,set screw)	1 5	
12	RH230460	Needle clamp screw	1 5	
13	RH230450	Needle clamp(With hook)	1 5	
14	FN070011SNY	Needle(DBXK5-NY11S)	1 5	
15	MK230090	Take up lever collar(14L)	2	
16	MK230050	Take up lever washer	1 6	
17	MK230040	Take up lever	1 5	
18	SL230040	Needle bar stocker	1	
19	A9014167	O-ring SS065	3 0	
20	SL230031	Needle bar base	1	
21	SL230080	Needle bar felt	1	
22	SL230070	Take up lever shaft(ZQ6)	1	
23	RD230060	Bearing plate	1	
24	SL230001	Slide block set	1	
25	SL230021	Slide block	1	
26	MK230020	Holder plate	1	
27	MK230010	LM rail holder plate	1	
28	MK230100	Take up lever stocker	1	
29	SL230140	LM (ZQ6)SSR15V2LL+311L-1	1	
30	SL230090	Slide block sim	1	
51		Hex.socket double point screw M4x4		
52		Hex.socket bolt M3x8		
53		Hex.socket button bolt M4x8		
54		Hex.socket bolt M3x35		
55		Hex.socket bolt M4x12		
56		Hex.socket set screw M4x8		
57		Hex.socket bolt M4x10		
58		Hex.socket flush bolt M3x14		
59		Hex.socket bolt M5x15(With washers)		
60		Hex.socket bolt M4x15		
61		Hex.nut M4		
62		Hex.socket flush bolt M3x25		

04B Needle Bar B



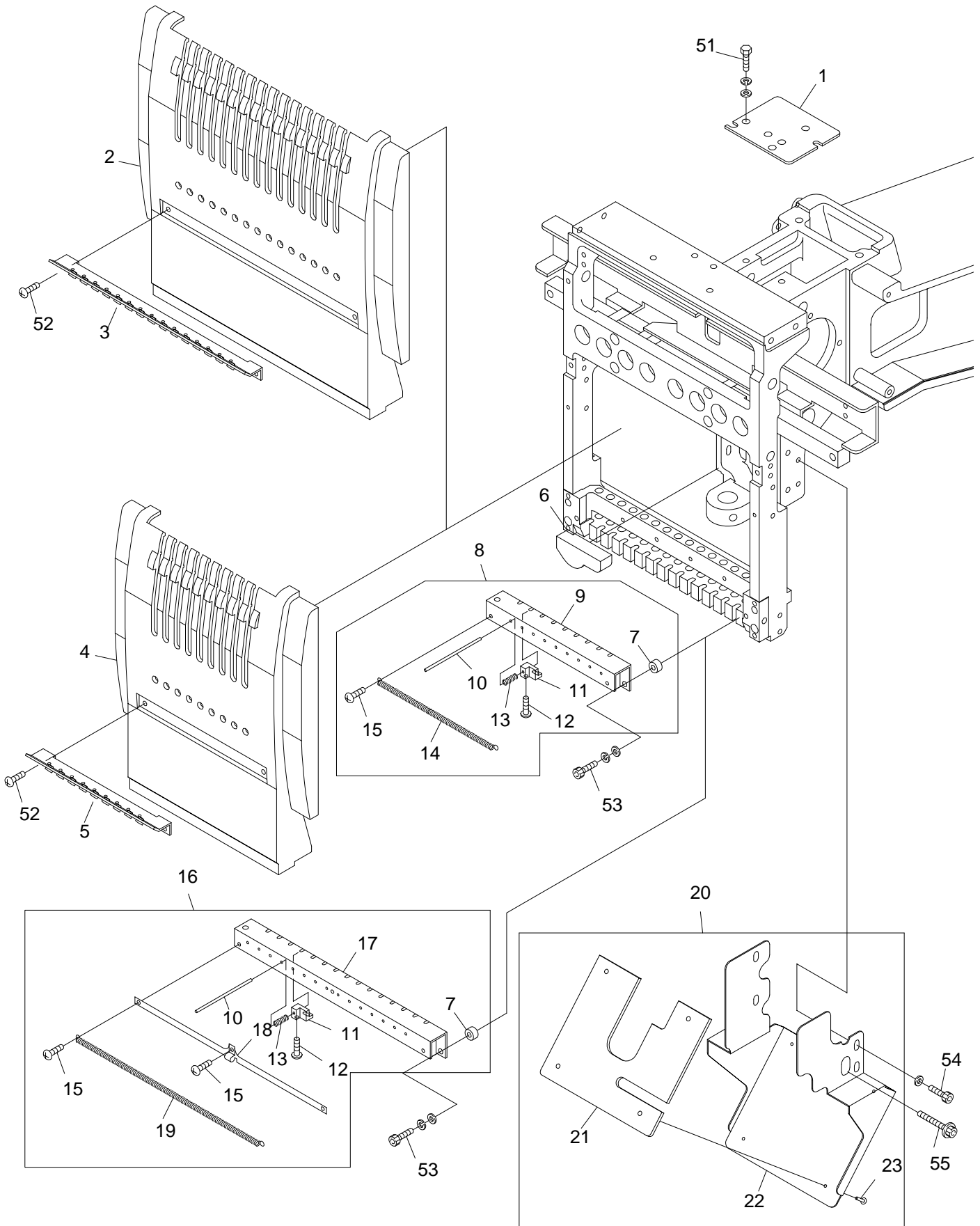
04C Needle Bar C



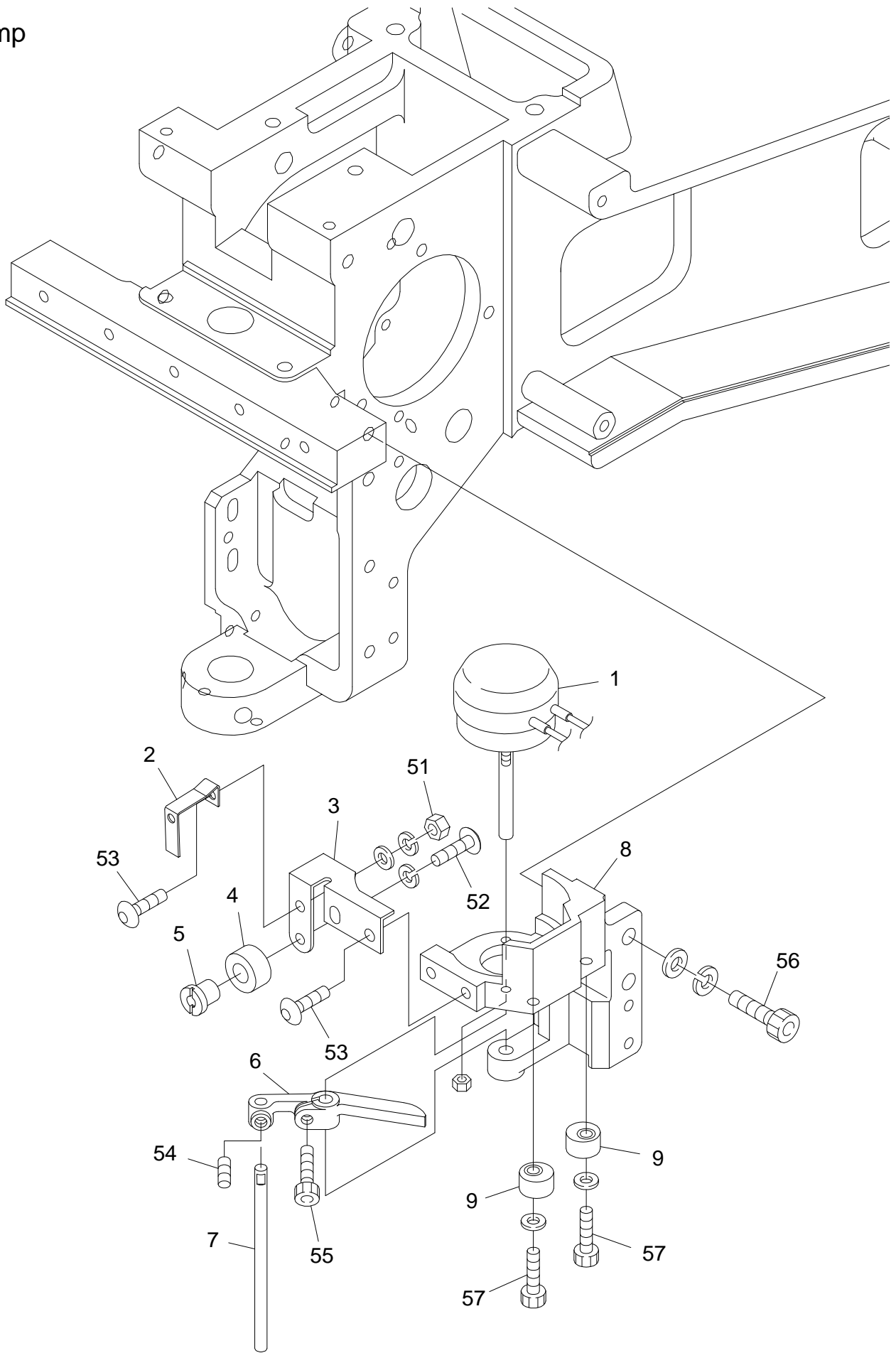
04C Needle bar C

ITEM	LIST No.	DESCRIPTION	QTY	NOTE
1	MH230150	Lever pin block(515 white)	1	
2	RR230090	Needle bar driving lever set(P25.65)	1	
3	HB230271	Needle bar driving lever fixing pin set collar	1 1	
4	RR230080	Needle bar driving lever(P25.65)	1	
5	HB230361	Needle roller with retainer(KV8x11x10SV2)	2	
6	HB230281	Needle bar driving lever fixing pin collar	1	
7	HT230410	Needle bar driving lever fixing pin	1	
8	HB230261	Needle bar driving lever connecting pin	1	
9	HB230220	Needle bar driving lever pin(B)	1	
10	HT230420	Guide plate	1	
11	MK230071	K2 cam(12)	1	
12	MK230080	Cam tap plate	1	
13	A9012053	Hex.socket set screw(With steel ball) M6x0.7x8	2	
14	LA230080	Slide shaft bush(Lower)	1	
15	A9019037	O-ring(Bush lower S12.5 NOK)	1	
16	LA230140	Bearing guide	1	
17	SG230300	Bearing pin	1	
18	A9010065	Ball bearing 686zz	1	
19	MM270000	Thread support a'ssy(24V) DTHE-ZQ	1	
20	SG270050	Thread support base	1	
21	A9014166	Plug cushion rubber TM-96-6	1	
22	SG270060	Thread support lever	1	
23	SG270070	Thread support link	1	
24	A9012127	E-ring(3)	2	
25	SG270120	Thread support return spring	1	
26	SG270110	Thread support lever pin screw	1	
27	KC270101	Solenoid pin	1	
28	A9056042	Keep solenoid(24V) TDS-K10SL-368	1	
51		Hex.socket set screw M4x4(With nylon)		
52		Hex.socket bolt M4x12(With washers)		
53		Hex.socket set screw M5x5		
54		Hex.nut M6(With spring washer)		
55		Hex.socket bolt M4x14(With adhesive)		
56		Hex.socket bolt M4x15		
57		Hex.socket bolt M4x18(With washers)		
58		Hex.socket set screw(Dog point) M4x12		
59		Hex.socket bolt M4x15(With washers)		
60		Hex.socket bolt M4x6(With washers)		
61		Hex.socket set screw M5x8		
62		Hex.socket bolt M3x6(With washers)		
63		Hex.nut M4		

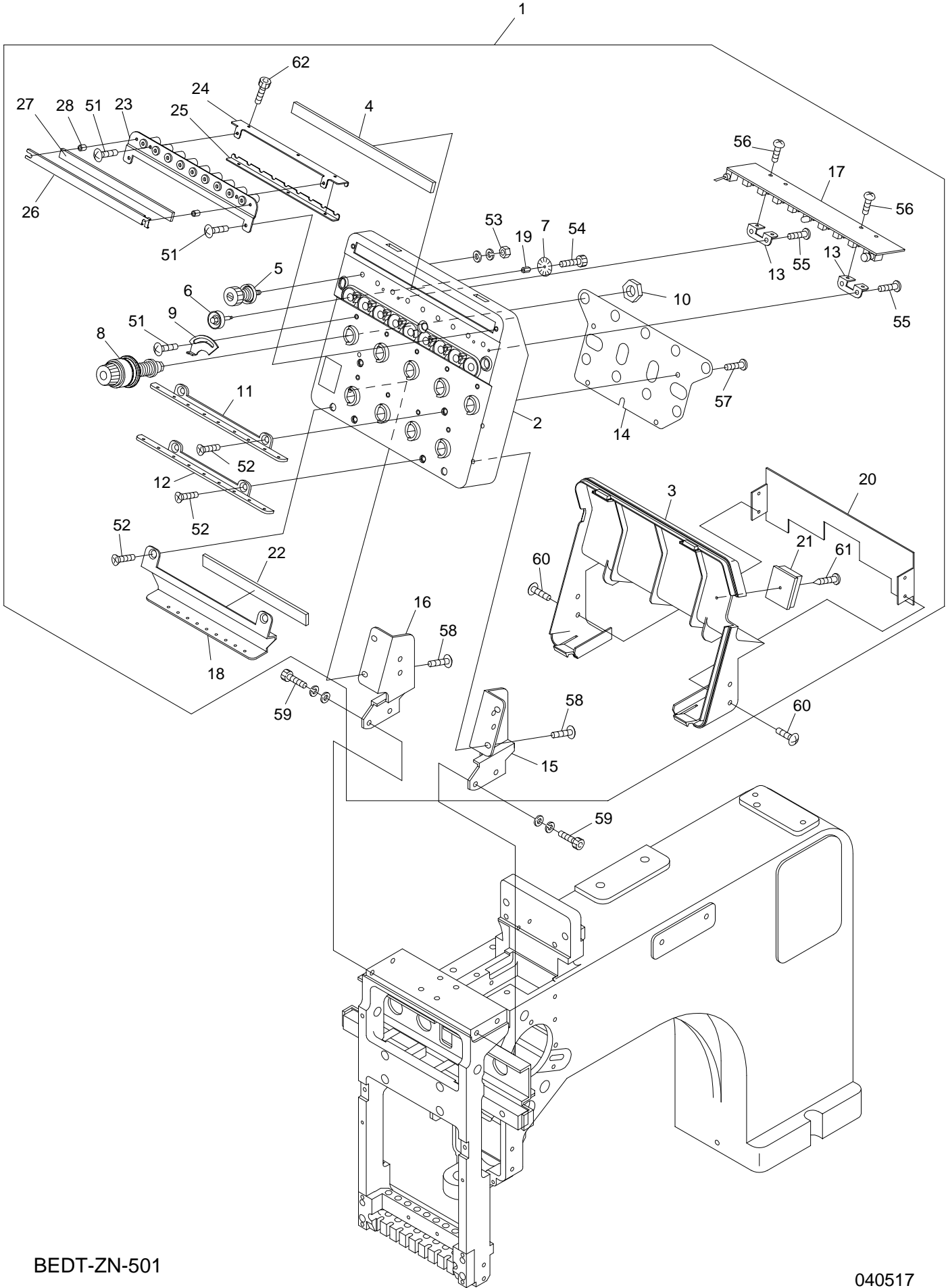
04D Needle Bar D



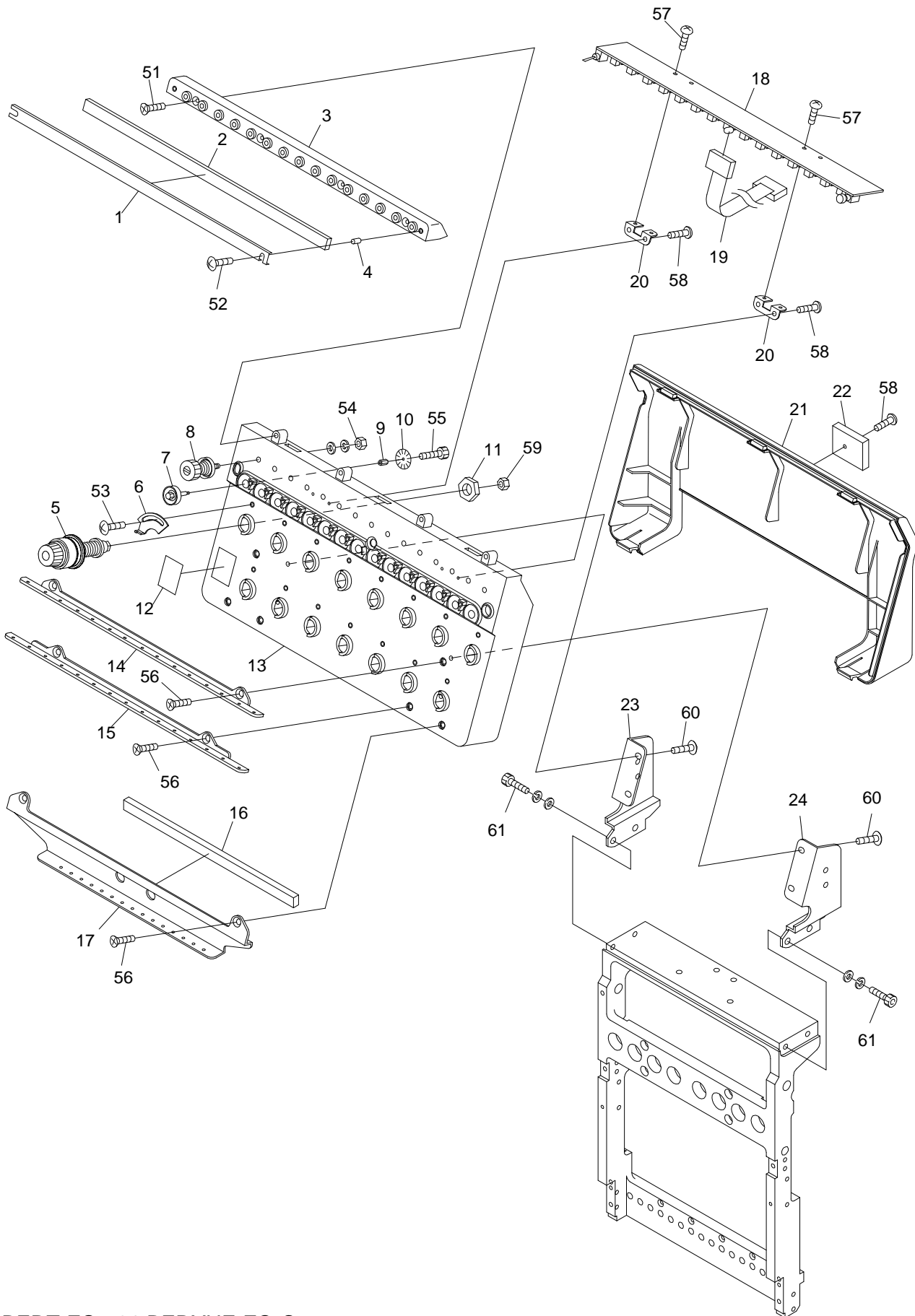
05 Jump



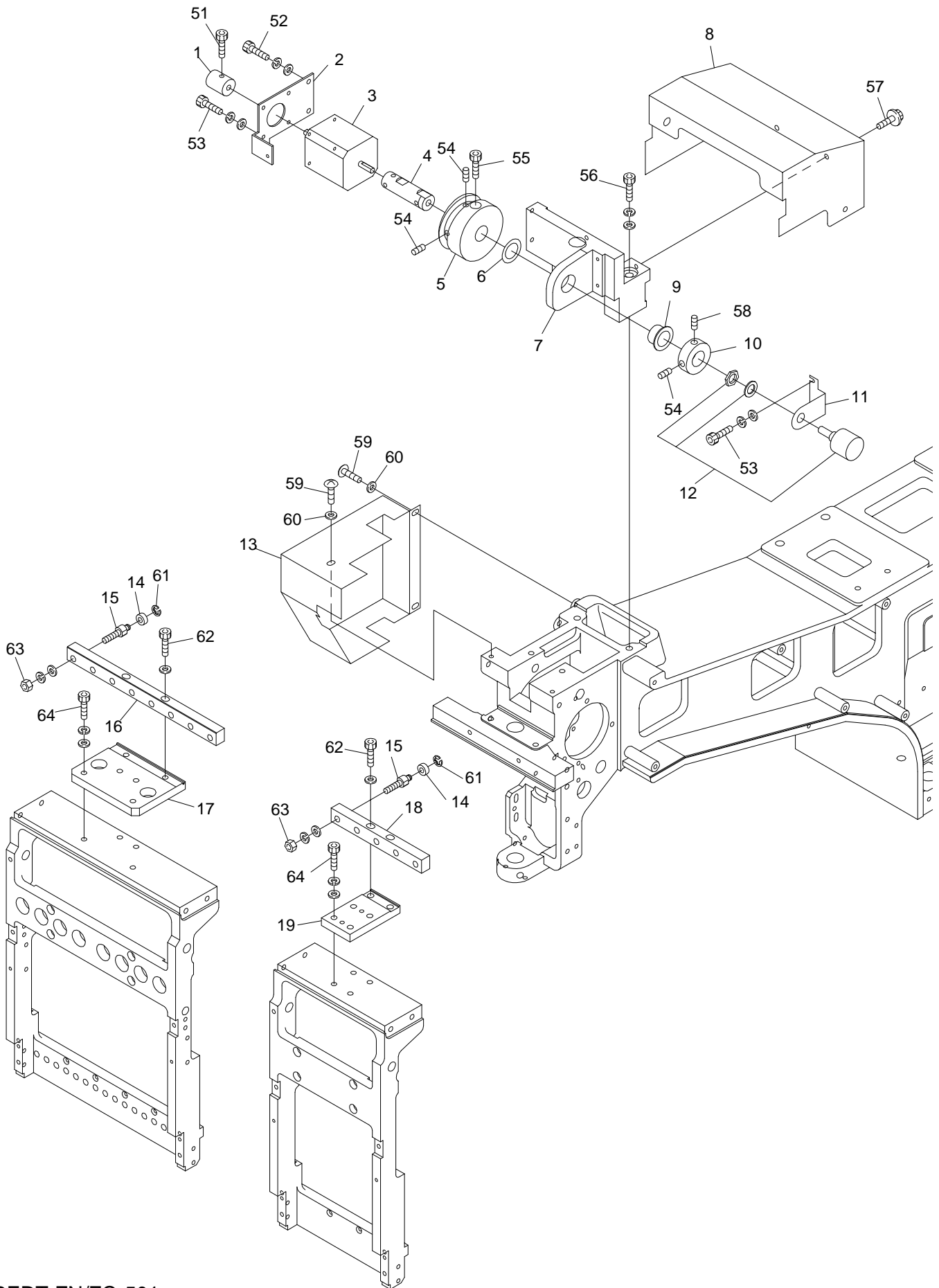
06-1 Thread Guide (ZN)



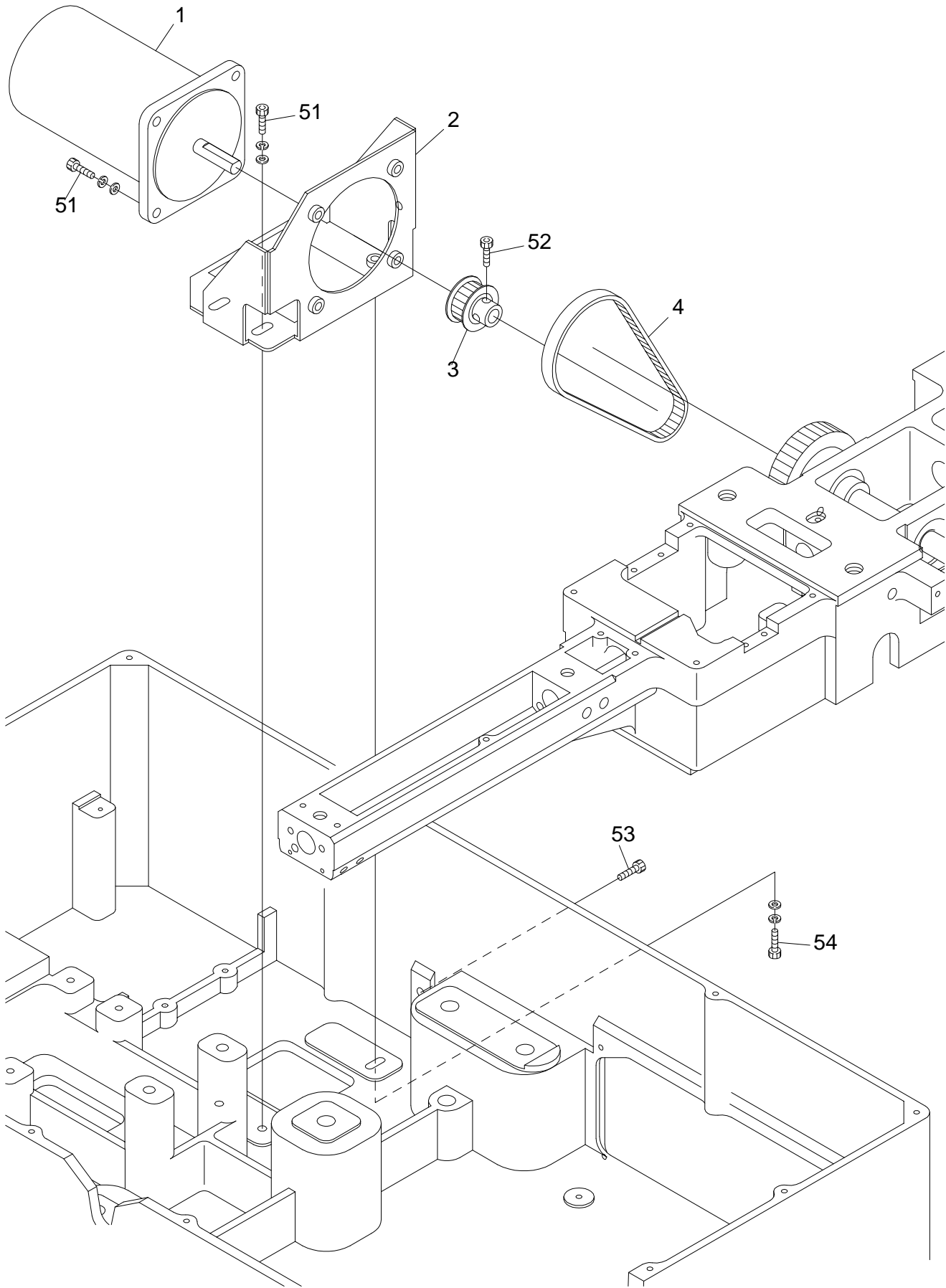
06-2 Thread Guide (ZQ)



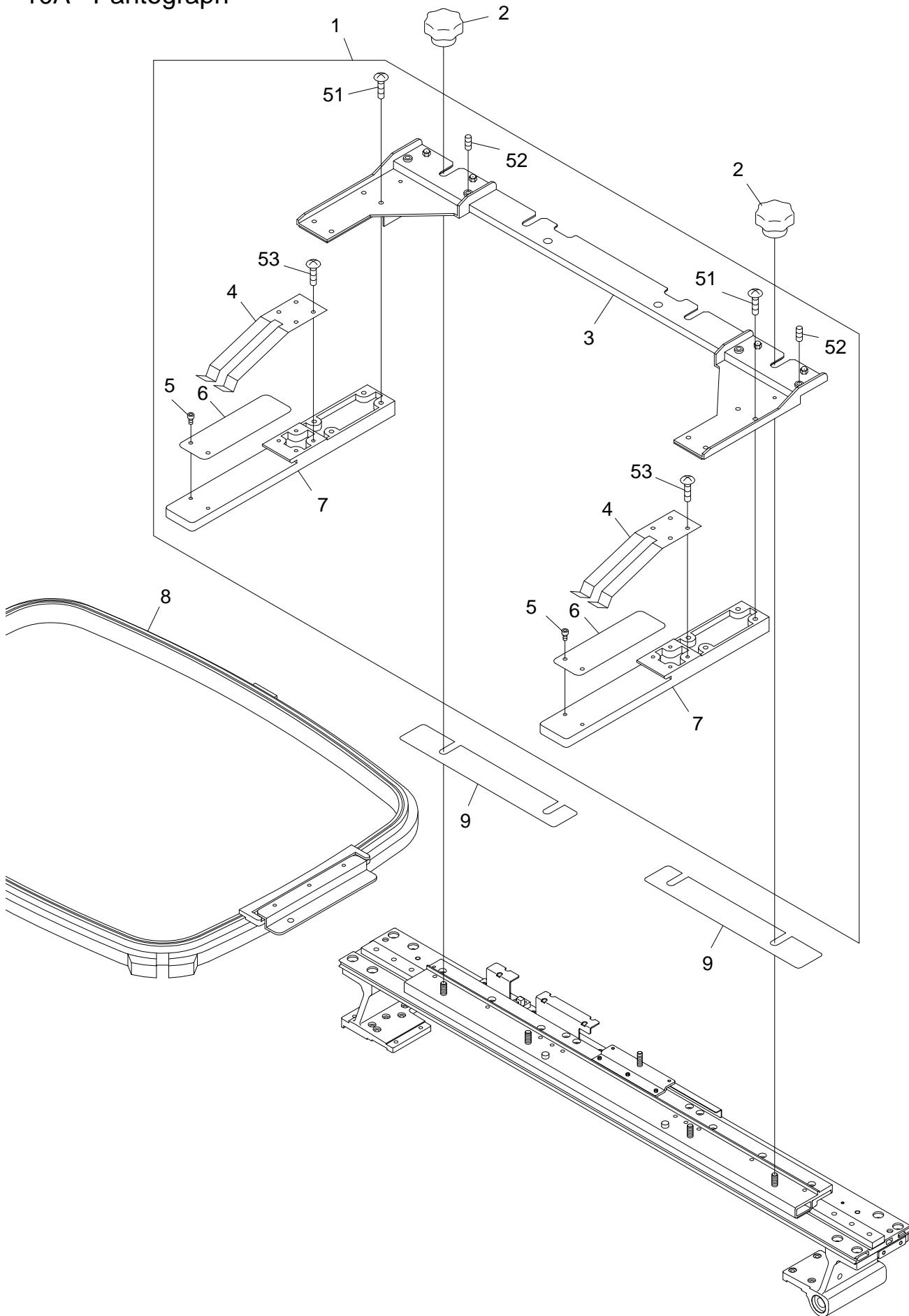
07 Color Change



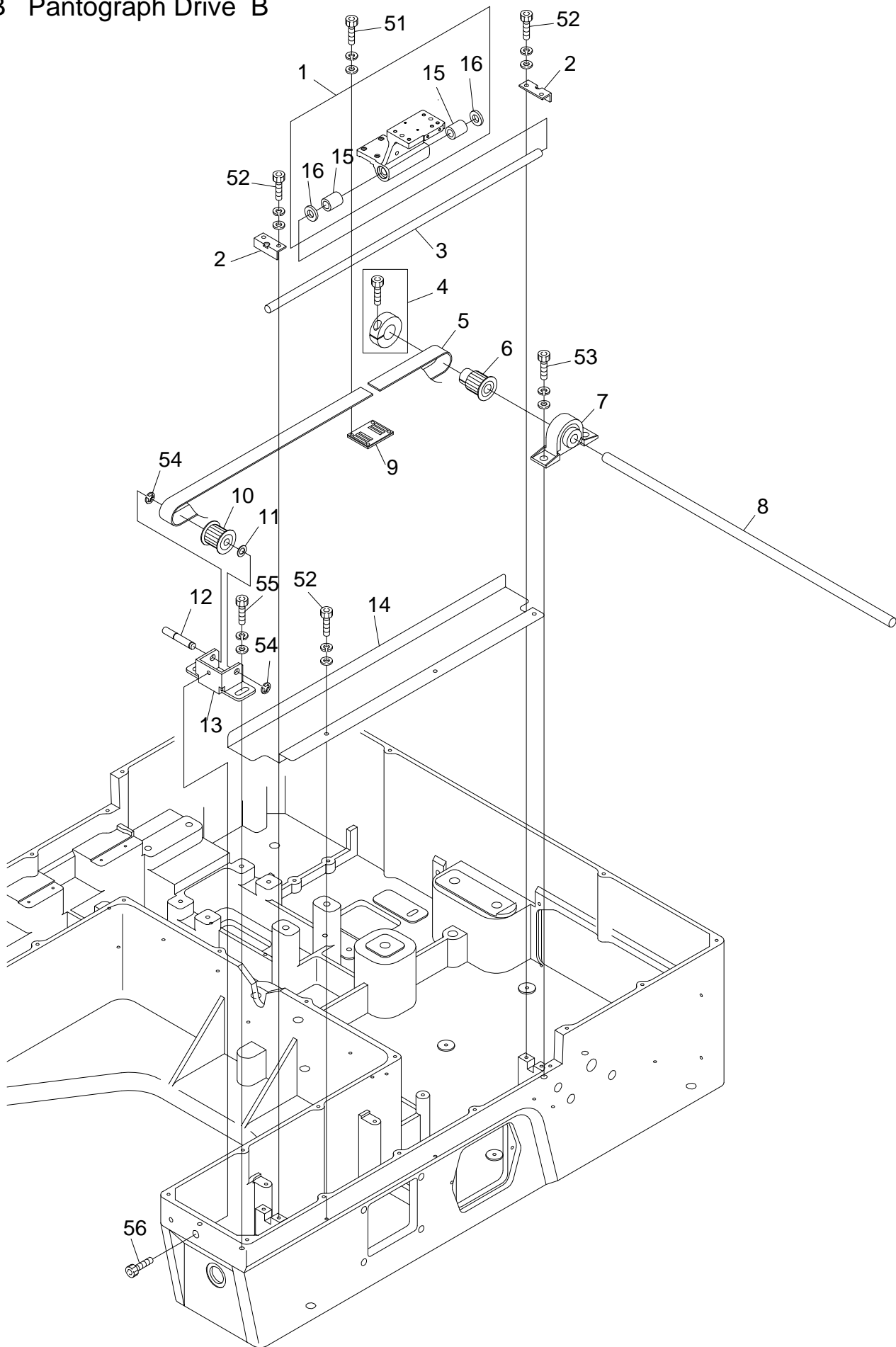
08 Drive



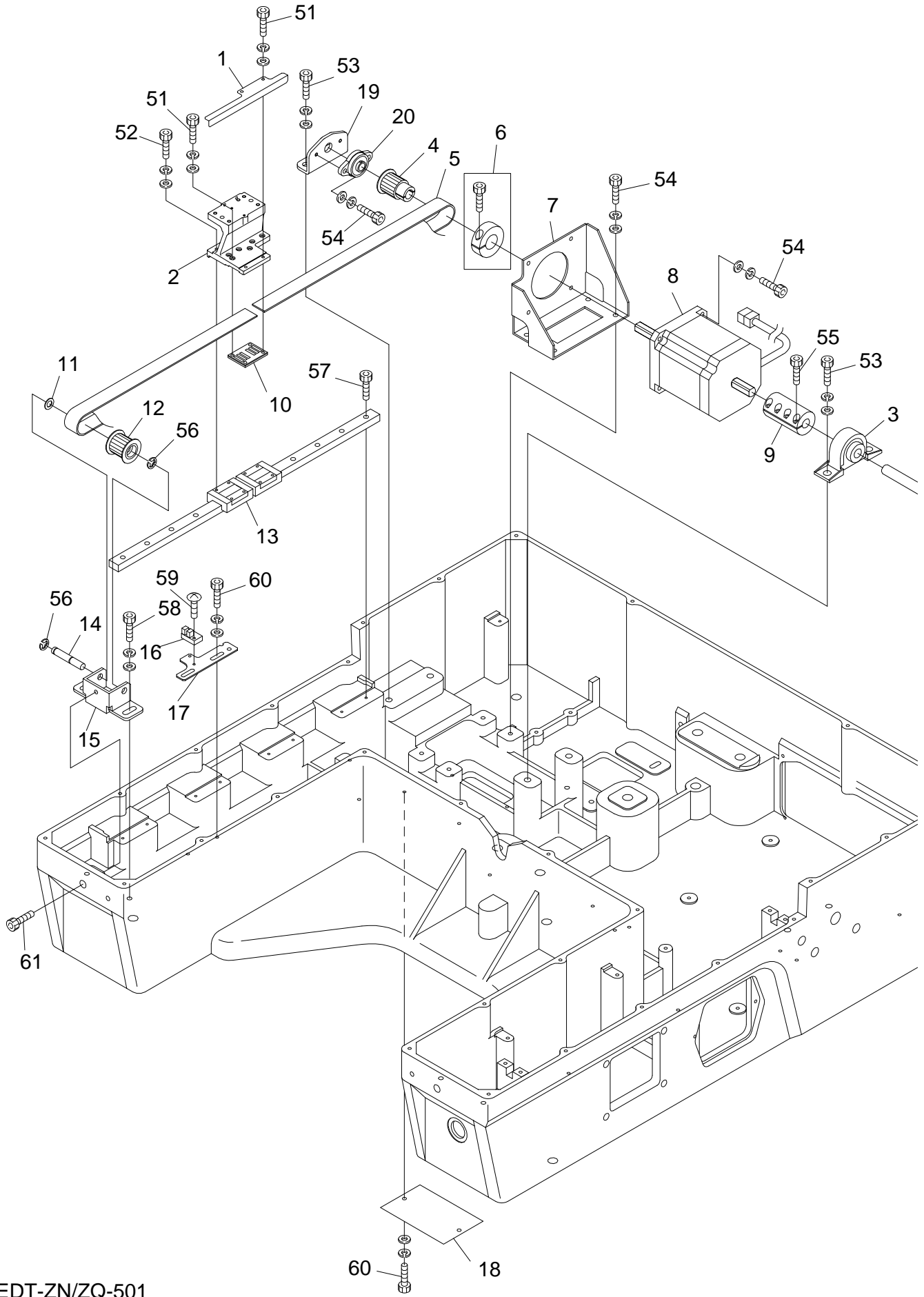
10A Pantograph



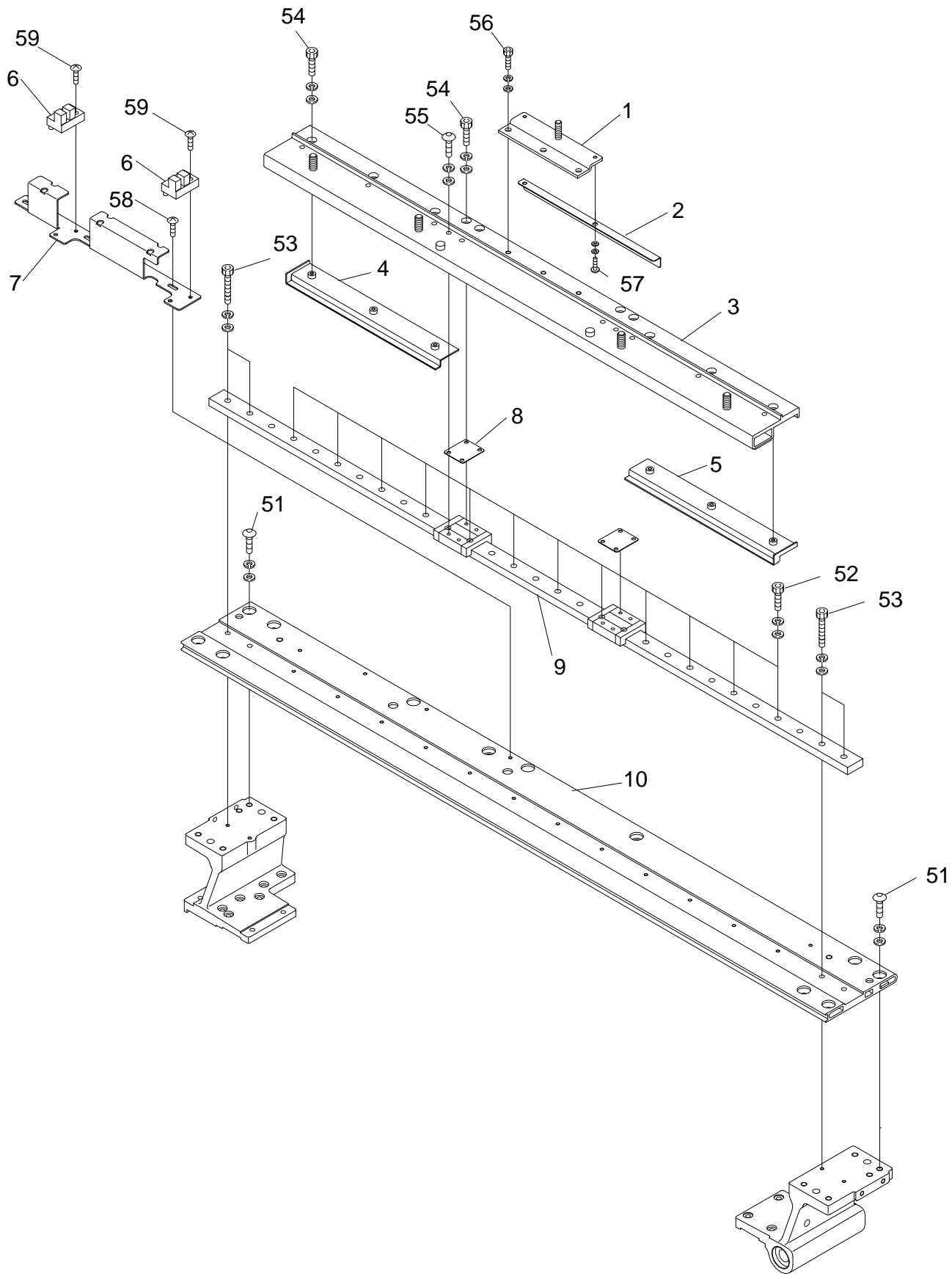
10B Pantograph Drive B



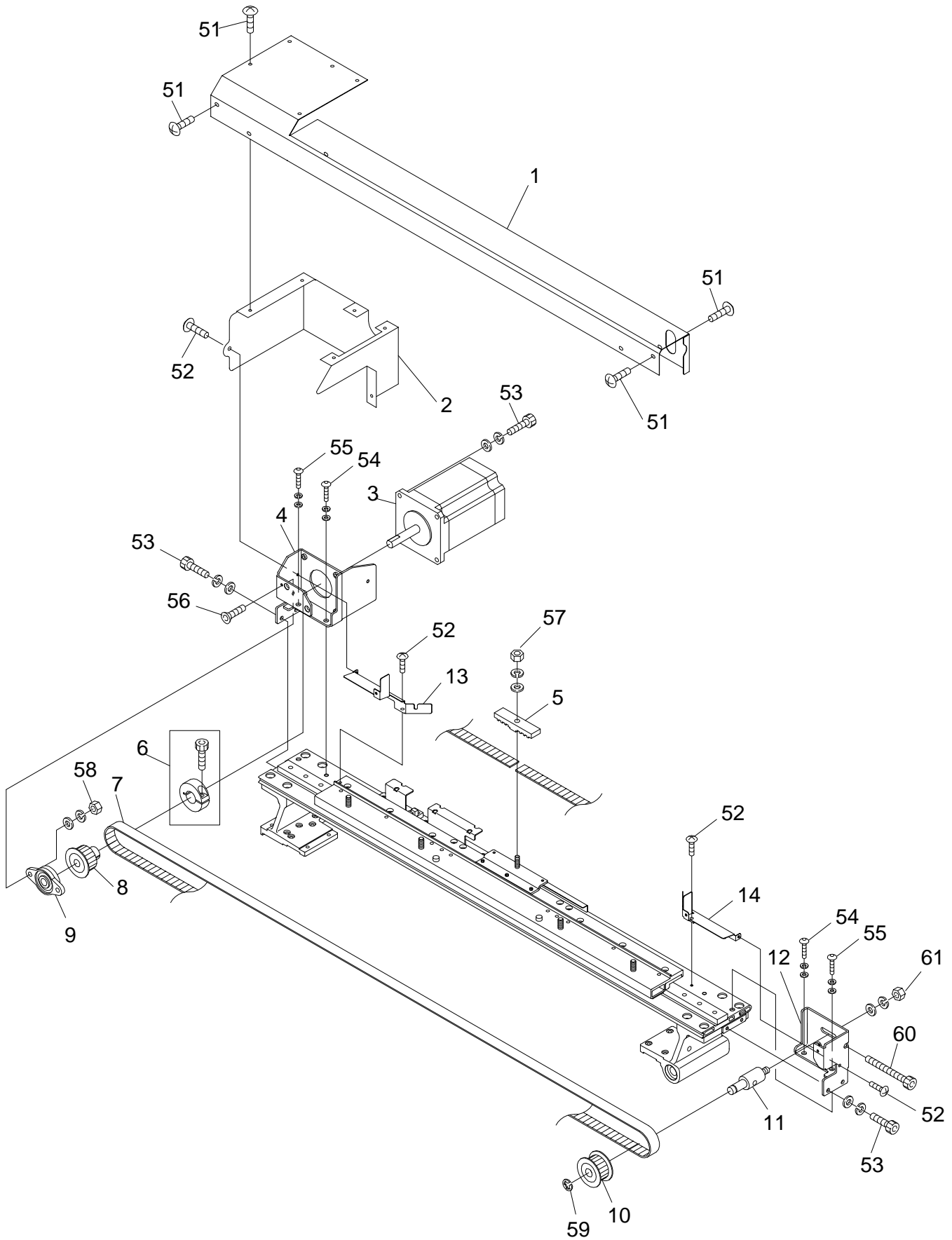
10C Pantograph Drive C



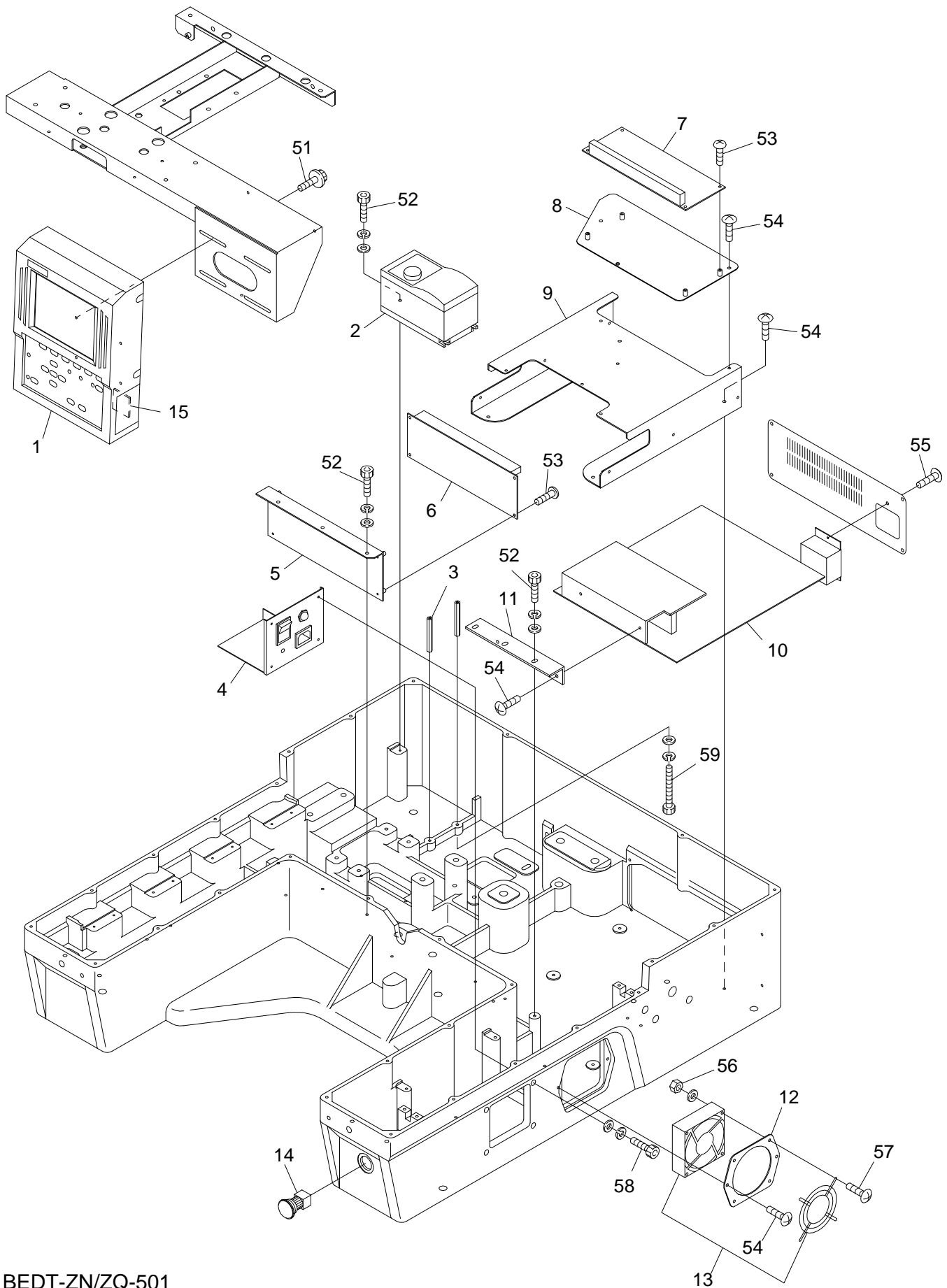
10D Pantograph Drive D



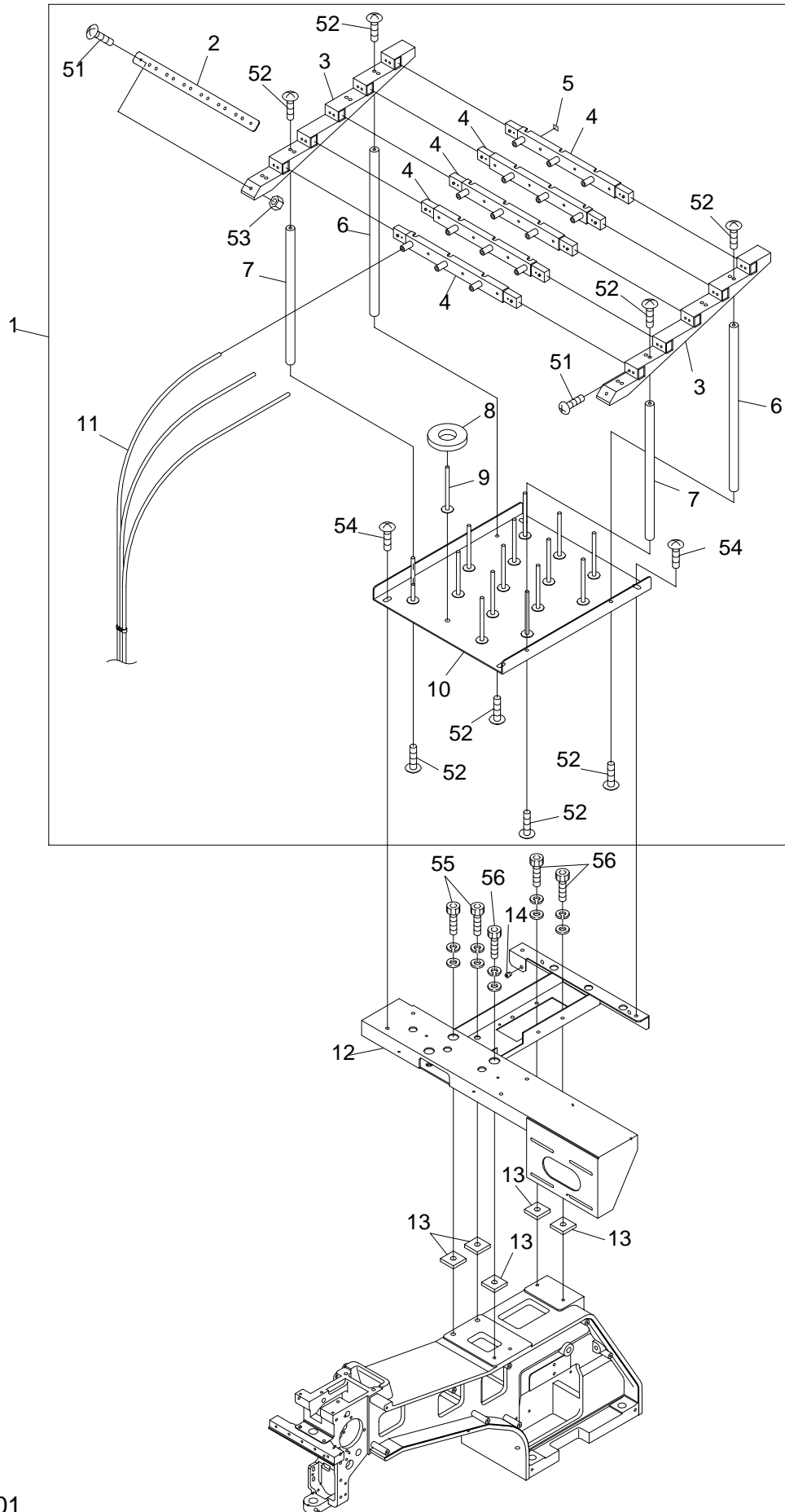
10E Pantograph Drive E



11 Control



12 Accessories (ZN/ZQ)



I N D E X

LIST No.	SECTION	ITEM	LIST No.	SECTION	ITEM
A 9 0 1 0 0 0 4	0 1 B	15	A 9 0 5 2 0 2 8	0 2 C	3
A 9 0 1 0 0 6 3	0 7	14	A 9 0 5 2 0 7 8	0 2 B	1
A 9 0 1 0 0 6 5	0 4 C	18	A 9 0 5 4 0 5 4	1 1	15
A 9 0 1 0 0 7 3	0 3	18	A 9 0 5 6 0 3 9	0 5	1
A 9 0 1 0 1 0 9	0 7	6	A 9 0 5 6 0 4 0	0 2 A	16
A 9 0 1 1 0 4 4	1 0 C	19	A 9 0 5 6 0 4 1	0 2 C	1
A 9 0 1 1 1 0 3	1 0 B	15	A 9 0 5 6 0 4 2	0 4 C	28
A 9 0 1 1 1 2 3	1 0 B	16	A 9 0 6 8 0 3 2	0 6 - 1	21
A 9 0 1 1 2 3 6	1 0 B	7	A 9 0 6 8 0 3 2	0 6 - 2	22
A 9 0 1 1 2 3 6	1 0 C	3	E A Y 0 7 0 A 1	1 1	1
A 9 0 1 1 2 4 1	0 7	9	E B Y 0 1 6 2 5	0 6 - 2	19
A 9 0 1 1 2 4 8	0 4 A - 1	30	E B Y 0 1 7 1 0	1 1	14
A 9 0 1 1 2 5 0	1 0 E	9	E B Y 0 2 5 8 0	0 6 - 1	17
A 9 0 1 1 2 5 1	0 3	28	E B Y 0 2 6 1 0	0 6 - 2	18
A 9 0 1 1 2 5 6	1 0 B	3	E B Y 0 2 6 2 0	1 1	10
A 9 0 1 1 2 5 7	1 0 C	13	E B Y 0 2 6 5 0	1 1	6
A 9 0 1 1 2 6 0	1 0 D	9	E B Y 0 2 6 6 1	1 1	7
A 9 0 1 2 0 2 7	0 1 A	11	E B Y 0 2 6 7 0	1 1	2
A 9 0 1 2 0 5 3	0 4 C	13	E B Y 0 2 7 1 0	1 0 C	16
A 9 0 1 2 1 1 4	0 2 B	12	E B Y 0 2 7 2 0	1 1	13
A 9 0 1 2 1 2 7	0 4 C	24	E B Y 0 2 7 5 0	1 0 D	6
A 9 0 1 2 1 6 4	1 0 B	11	E B Y 0 2 7 6 1	1 1	4
A 9 0 1 2 1 6 4	1 0 C	11	E B Y 0 2 8 0 0	0 8	1
A 9 0 1 2 3 6 8	0 4 B	9	F N 0 7 0 0 1 1 S N Y	0 4 A - 1	15
A 9 0 1 2 4 2 1	0 3	19	F N 0 7 0 0 1 1 S N Y	0 4 A - 2	14
A 9 0 1 2 4 3 3	0 0	3	F R 9 2 3 3 0 4 3 8 A 5 2 0 A	1 0 A	8
A 9 0 1 2 4 3 7	1 0 A	2	H B 2 3 0 0 7 0	0 3	22
A 9 0 1 2 4 3 8	0 6 - 2	4	H B 2 3 0 0 8 0	0 3	21
A 9 0 1 2 4 3 9	0 1 B	16	H B 2 3 0 2 0 0	0 4 B	5
A 9 0 1 2 4 4 6	0 6 - 1	28	H B 2 3 0 2 2 0	0 4 C	9
A 9 0 1 3 0 6 6	0 2 A	12	H B 2 3 0 2 6 1	0 4 C	8
A 9 0 1 3 0 7 1	0 1 B	19	H B 2 3 0 2 7 1	0 4 C	3
A 9 0 1 3 0 7 2	1 0 E	6	H B 2 3 0 2 8 1	0 4 C	6
A 9 0 1 4 1 6 6	0 4 C	21	H B 2 3 0 3 6 1	0 4 C	5
A 9 0 1 4 1 6 7	0 4 A - 1	20	H B 2 3 0 6 2 0	0 3	24
A 9 0 1 4 1 6 7	0 4 A - 2	19	H B 2 3 0 6 5 0	0 3	7
A 9 0 1 4 1 6 8	0 4 D	23	H B 2 3 0 8 0 0	0 3	1
A 9 0 1 9 0 3 7	0 4 C	15	H B 2 4 0 0 2 0	0 5	6
A 9 0 1 9 0 7 1	0 0	13	H B 2 4 0 0 3 0	0 5	7
A 9 0 2 0 2 1 0	0 1 B	7	H B 2 4 0 0 4 1	0 5	9
A 9 0 2 0 2 1 4	0 8	4	H H 4 8 1 9 8 0	0 1 B	18
A 9 0 2 0 2 1 5	1 0 B	5	H H 4 8 1 9 8 0	0 3	33
A 9 0 2 0 2 1 5	1 0 C	5	H H 4 8 1 9 8 0	1 0 B	4
A 9 0 2 0 2 1 6	1 0 E	7	H H 4 8 1 9 8 0	1 0 C	6
A 9 0 2 0 2 1 7	0 1 B	9	H P 2 3 1 3 7 0	0 4 B	26

I N D E X

LIST No.	SECTION	ITEM	LIST No.	SECTION	ITEM
HS 2 1 0 0 3 1	0 1 A	9	KC 2 7 0 1 0 1	0 4 C	27
HS 2 1 0 0 5 1	0 2 A	1	KC 2 7 1 0 0 1	0 2 A	3
HS 2 1 0 0 8 0	0 2 A	20	KC 2 7 1 1 2 0	0 2 B	11
HS 2 1 0 3 0 0	0 2 A	2	KC 2 7 1 9 4 0	0 2 A	19
HS 2 2 0 0 1 0	0 1 A	6	KF 2 2 0 2 3 0	0 1 A	5
HT 2 2 0 0 6 1	0 1 A	18	KF 2 2 0 2 4 0	0 1 A	4
HT 2 3 0 1 2 0	0 4 A - 1	11	KF 2 2 0 2 9 0	0 1 A	17
HT 2 3 0 1 2 0	0 4 A - 2	10	KF 2 2 0 5 3 0	0 1 A	2
HT 2 3 0 2 2 0	0 5	4	KF 2 2 0 7 1 0	0 1 A	3
HT 2 3 0 2 5 1	0 4 A - 1	5	KF 2 2 1 0 2 0	0 1 A	1
HT 2 3 0 2 6 3	0 4 A - 1	7	KF 2 3 0 5 0 1	0 3	10
HT 2 3 0 2 6 3	0 4 A - 2	6	KF 2 3 0 6 8 0	0 3	11
HT 2 3 0 2 8 0	0 4 B	12	KF 2 3 0 9 1 0	0 4 A - 1	10
HT 2 3 0 2 9 0	0 4 B	7	KF 2 3 0 9 1 0	0 4 A - 2	9
HT 2 3 0 3 2 0	0 4 B	27	KF 7 1 0 3 9 0	1 2	8
HT 2 3 0 3 3 0	0 4 A - 1	6	KL 2 2 0 1 4 0	0 1 A	12
HT 2 3 0 3 3 0	0 4 A - 2	5	KL 2 7 0 0 9 1	0 2 C	8
HT 2 3 0 3 4 0	0 4 B	31	KL 2 7 0 1 0 1	0 2 C	9
HT 2 3 0 4 1 0	0 4 C	7	KL 2 7 0 1 2 0	0 2 C	11
HT 2 3 0 4 2 0	0 4 C	10	KL 2 7 0 1 3 1	0 2 C	10
HT 2 3 0 4 6 0	0 4 B	23	KL 2 7 0 2 6 0	0 2 C	2
HT 2 3 0 4 7 1	0 4 B	15	KL 2 7 0 4 5 0	0 2 C	7
HT 2 3 0 4 8 0	0 4 B	24	KN 2 7 2 0 1 0	0 2 A	13
HT 2 3 0 4 9 1	0 4 B	16	KN 2 7 2 4 0 1	0 2 A	18
HT 2 3 0 5 0 0	0 4 B	25	KN 2 7 2 4 0 1	0 2 C	5
HT 2 3 0 5 1 0	0 4 B	6	KN 5 4 0 5 1 0	0 6 - 1	19
HT 2 3 0 5 2 0	0 4 B	8	KN 5 4 0 5 1 0	0 6 - 2	9
HT 2 3 0 5 6 0	0 4 B	13	KX 2 3 0 0 4 0	0 4 A - 1	26
HT 2 3 0 6 2 0	0 5	5	KX 2 3 0 0 7 1	0 4 B	4
HT 2 3 0 7 3 0	0 4 B	17	KX 2 4 0 1 6 1	0 4 D	5
HT 2 3 0 7 5 0	0 4 B	14	KX 2 5 0 0 8 0	0 1 A	13
HT 2 3 0 7 6 0	0 4 B	21	KX 2 5 0 0 8 0	0 2 A	5
HT 2 3 0 7 7 0	0 4 B	22	KX 2 7 0 0 0 0	0 2 A	22
HT 2 4 0 1 0 1	0 6 - 1	7	KX 2 7 0 0 1 0	0 2 A	10
HT 2 4 0 1 0 1	0 6 - 2	10	KX 2 7 0 0 5 0	0 2 C	13
HT 2 4 0 1 8 0	0 6 - 1	10	KX 2 7 0 0 7 0	0 2 C	15
HT 2 4 0 1 8 0	0 6 - 2	11	KX 2 7 0 3 7 0	0 2 C	14
HT 2 4 0 2 9 0	0 6 - 1	6	KX 2 7 0 4 3 0	0 2 A	21
HT 2 4 0 2 9 0	0 6 - 2	7	KX 3 3 0 1 6 0	0 7	15
HT 2 4 0 4 8 0	1 2	14	KX 3 3 0 2 8 0	0 7	19
HT 2 5 0 2 5 1	0 4 A - 2	4	LA 2 3 0 0 8 0	0 4 C	14
HT 2 7 0 0 6 3	0 4 D	12	LA 2 3 0 1 4 0	0 4 C	16
HT 2 7 0 1 8 1	0 2 A	14	LA 2 5 0 0 4 0	0 1 A	15
HT 7 1 0 0 0 0	1 2	9	LA 2 7 0 0 4 0	0 2 A	17
KC 2 5 0 4 8 2	0 1 A	10	LA 2 7 0 0 8 0	0 2 C	16

I N D E X

LIST No.	SECTION	ITEM	LIST No.	SECTION	ITEM
LA 2 7 0 1 2 0	0 2 C	16	MH 2 4 0 0 2 1	0 6 - 1	16
LA 2 7 0 1 5 0	0 2 C	12	MH 2 4 0 0 3 0	0 6 - 1	18
LA 2 7 0 1 6 0	0 2 C	12	MH 2 4 0 0 4 1	0 6 - 1	22
LA 7 3 0 6 0 0	1 0 A	7	MH 2 4 0 0 5 1	0 6 - 1	23
LA 7 3 0 6 1 0	1 0 A	5	MH 2 4 0 0 6 0	0 6 - 1	2
LA 7 3 0 6 3 0	1 0 A	6	MH 2 5 0 1 2 0	0 4 D	4
LA 7 3 0 6 5 0	1 0 A	4	MH 2 7 0 1 3 0	0 4 D	8
MB 2 9 5 2 5 0	0 2 B	4	MH 2 7 0 1 4 0	0 4 D	9
MB 2 9 5 2 6 0	0 2 B	7	MH 2 7 0 1 5 0	0 4 D	14
MB 2 9 5 2 7 0	0 2 B	6	MH 3 1 0 0 1 1	0 1 B	20
MB 2 9 5 2 9 0	0 2 B	5	MH 3 1 0 0 9 1	0 1 B	8
MF 2 1 0 0 7 0	0 2 B	3	MH 4 8 0 0 3 0	1 0 B	6
MF 2 1 0 0 8 0	0 2 B	2	MH 4 8 0 0 3 0	1 0 C	4
MF 3 1 0 0 0 0	0 8	3	MH 4 8 0 0 4 0	1 0 B	10
MF 3 3 0 0 2 0	0 7	18	MH 4 8 0 0 4 0	1 0 C	12
MF 5 1 0 0 0 0	0 1 B	21	MH 4 8 0 0 6 0	1 0 C	9
MF 5 1 0 0 1 0	0 7	12	MH 4 8 0 1 2 0	1 0 B	12
MF 5 1 0 0 2 0	0 2 B	10	MH 4 8 0 1 2 0	1 0 C	14
MF 5 1 0 0 3 0	0 8	1	MH 4 8 0 1 8 0	1 0 E	8
MG 2 1 0 0 5 0	0 2 B	9	MH 4 8 0 1 9 0	1 0 E	10
MG 2 1 0 0 7 0	0 2 B	8	MH 4 8 0 2 3 0	1 0 E	5
MG 3 3 0 0 0 0	0 7	17	MH 4 8 0 2 4 0	1 0 E	11
MG 3 3 0 0 1 0	0 7	16	MH 4 8 0 2 8 0	1 0 E	3
MG 3 3 0 0 3 0	0 7	5	MH 4 8 0 2 9 0	1 0 C	8
MG 3 3 0 0 4 0	0 7	4	MH 7 1 0 0 5 1	1 2	13
MG 3 3 0 0 6 0	0 7	2	MH 7 9 0 0 1 0	0 0	10
MG 3 3 0 0 7 0	0 7	11	MK 1 1 0 0 0 2	0 0	11
MG 3 3 0 0 8 0	0 7	10	MK 1 1 0 0 1 0	0 0	15
MG 3 3 0 0 9 0	0 7	1	MK 1 2 0 0 0 0	0 0	1
MG 3 3 0 1 1 0	0 7	3	MK 1 2 0 0 1 0	0 0	2
MH 1 2 0 0 1 0	0 0	5	MK 1 2 0 0 2 0	0 0	4
MH 2 3 0 0 0 2	0 4 A - 1	1	MK 2 1 0 0 2 1	0 1 B	4
MH 2 3 0 0 1 3	0 4 A - 1	24	MK 2 1 0 0 3 1	0 1 A	16
MH 2 3 0 0 2 2	0 4 A - 1	25	MK 2 1 0 0 4 0	0 1 A	8
MH 2 3 0 0 3 1	0 4 A - 1	21	MK 2 2 0 0 0 0	0 1 A	7
MH 2 3 0 0 4 0	0 4 A - 1	23	MK 2 2 0 0 1 0	0 3	31
MH 2 3 0 1 0 0	0 4 A - 1	22	MK 2 3 0 0 0 0	0 1 B	17
MH 2 3 0 1 1 0	0 4 A - 1	19	MK 2 3 0 0 0 0	0 3	32
MH 2 3 0 1 4 0	0 4 B	1	MK 2 3 0 0 1 0	0 4 A - 1	28
MH 2 3 0 1 5 0	0 4 C	1	MK 2 3 0 0 1 0	0 4 A - 2	27
MH 2 3 0 1 6 1	0 5	2	MK 2 3 0 0 2 0	0 4 A - 1	27
MH 2 3 0 1 7 0	0 4 B	3	MK 2 3 0 0 2 0	0 4 A - 2	26
MH 2 3 0 1 8 0	0 4 B	2	MK 2 3 0 0 4 0	0 4 A - 1	18
MH 2 3 0 2 0 0	0 4 B	28	MK 2 3 0 0 4 0	0 4 A - 2	17
MH 2 4 0 0 1 1	0 6 - 1	15	MK 2 3 0 0 5 0	0 4 A - 1	17

I N D E X

LIST No.	SECTION	ITEM	LIST No.	SECTION	ITEM
MK 2 3 0 0 5 0	0 4 A - 2	16	MK 3 1 0 0 8 0	0 8	3
MK 2 3 0 0 7 1	0 4 C	11	MK 3 1 0 0 9 0	1 1	3
MK 2 3 0 0 8 0	0 4 C	12	MK 3 2 0 0 0 1	0 1 B	10
MK 2 3 0 0 9 0	0 4 A - 1	16	MK 3 3 0 0 0 0	0 7	7
MK 2 3 0 0 9 0	0 4 A - 2	15	MK 4 8 0 0 0 1	1 0 B	1
MK 2 3 0 1 0 0	0 4 A - 2	28	MK 4 8 0 0 1 1	1 0 C	2
MK 2 3 0 1 1 0	0 4 A - 1	29	MK 4 8 0 0 2 0	1 0 C	7
MK 2 3 0 1 2 0	0 3	8	MK 4 8 0 0 3 0	1 0 B	8
MK 2 3 0 1 3 0	0 3	2	MK 4 8 0 0 4 0	1 0 B	13
MK 2 4 0 0 1 1	0 6 - 1	1	MK 4 8 0 0 4 0	1 0 C	15
MK 2 4 0 0 3 1	0 6 - 1	24	MK 4 8 0 0 5 0	1 0 B	2
MK 2 4 0 0 4 1	0 6 - 1	25	MK 4 8 0 0 6 0	1 0 B	9
MK 2 4 0 0 5 0	0 6 - 1	26	MK 4 8 0 0 6 0	1 0 C	10
MK 2 4 0 0 6 0	0 6 - 1	27	MK 4 8 0 0 7 0	1 0 C	17
MK 2 5 0 0 0 0	0 1 A	14	MK 4 8 0 0 8 0	1 0 C	1
MK 2 5 0 0 1 1	0 0	7	MK 4 8 0 0 9 1	1 0 E	4
MK 2 5 0 0 2 1	0 0	6	MK 4 8 0 1 0 1	1 0 E	12
MK 2 5 0 0 3 0	0 0	9	MK 4 8 0 1 5 1	1 0 D	7
MK 2 5 0 0 4 0	0 0	8	MK 4 8 0 1 6 1	1 0 D	2
MK 2 5 0 0 5 0	0 0	12	MK 4 8 0 2 4 0	1 0 C	20
MK 2 5 0 0 6 0	0 0	14	MK 4 8 0 2 5 0	1 0 D	1
MK 2 5 0 0 7 0	0 7	8	MK 4 8 0 2 6 0	1 0 D	10
MK 2 5 0 0 8 1	0 7	13	MK 4 8 0 2 7 0	1 0 D	3
MK 2 5 0 0 9 0	1 0 C	18	MK 4 8 0 2 8 0	1 0 E	13
MK 2 5 0 1 0 1	1 0 B	14	MK 4 8 0 2 9 0	1 0 E	14
MK 2 5 0 1 1 1	1 0 E	1	MK 4 8 0 3 0 0	1 0 D	5
MK 2 5 0 1 2 1	1 0 E	2	MK 4 8 0 3 1 0	1 0 D	8
MK 2 5 0 1 3 1	0 1 B	1	MK 4 8 0 3 2 0	1 0 D	4
MK 2 5 0 1 4 0	1 1	9	MK 7 1 0 0 0 0	1 2	1
MK 2 5 0 1 5 0	1 1	11	MK 7 1 0 0 1 0	1 2	12
MK 2 5 0 1 7 0	1 1	5	MK 7 1 0 0 2 0	1 2	1
MK 2 5 0 1 8 0	1 1	12	MK 7 3 0 0 1 3	1 0 A	3
MK 2 5 0 1 9 0	0 1 B	2	MK 7 3 0 0 5 0	1 0 A	1
MK 2 5 0 2 1 0	1 1	8	MK 7 3 0 0 6 0	1 0 A	9
MK 2 5 0 2 2 0	0 4 D	20	MK 7 9 0 0 0 0	0 1 B	12
MK 2 7 0 0 0 0	0 2 A	15	MM 2 7 0 0 0 0	0 4 C	19
MK 2 7 0 0 1 0	0 2 A	4	RD 2 3 0 0 6 0	0 4 A - 2	23
MK 3 1 0 0 0 1	0 8	2	RD 2 3 0 1 3 0	0 3	9
MK 3 1 0 0 1 0	0 1 B	3	RD 2 3 0 2 5 0	0 5	8
MK 3 1 0 0 2 0	0 1 B	5	RD 2 3 0 3 7 0	0 4 A - 1	9
MK 3 1 0 0 3 0	0 1 B	6	RD 2 3 0 3 7 0	0 4 A - 2	8
MK 3 1 0 0 4 1	0 3	13	RD 2 3 0 4 8 0	0 4 A - 1	2
MK 3 1 0 0 5 0	0 3	29	RD 2 3 0 4 8 0	0 4 A - 2	1
MK 3 1 0 0 6 0	0 1 B	14	RD 2 3 0 4 9 0	0 4 A - 1	3
MK 3 1 0 0 7 0	0 1 B	13	RD 2 3 0 4 9 0	0 4 A - 2	2

I N D E X

LIST No.	SECTION	ITEM	LIST No.	SECTION	ITEM
R D 2 4 0 1 5 4	0 6 - 1	8	R R 2 4 0 3 3 0	0 6 - 1	13
R D 2 4 0 1 5 4	0 6 - 2	5	R R 2 4 0 3 3 0	0 6 - 2	20
R D 2 4 0 2 7 1	0 4 D	3	R R 2 4 0 3 4 0	0 6 - 1	14
R D 2 7 0 0 2 0	0 2 C	14	R R 2 4 0 3 9 0	0 6 - 2	12
R D 2 7 0 0 4 0	0 2 C	13	R R 2 4 0 5 1 0	0 6 - 1	9
R D 7 1 0 3 1 0	1 2	11	R R 2 4 0 5 1 0	0 6 - 2	6
R D 7 1 0 3 3 0	1 2	4	R V 2 3 0 2 5 0	0 4 B	30
R D 7 1 0 3 4 0	1 2	3	R V 2 4 0 0 1 0	0 6 - 2	13
R D 7 1 0 3 5 1	1 2	7	R V 2 4 0 0 2 0	0 6 - 2	3
R D 7 1 0 3 6 1	1 2	6	R V 2 4 0 0 4 0	0 6 - 2	14
R D 7 1 0 3 7 0	1 2	2	R V 2 4 0 0 5 0	0 6 - 2	15
R D 7 1 0 3 8 0	1 2	5	R V 2 4 0 0 6 2	0 6 - 2	17
R H 2 3 0 2 7 1	0 3	27	R V 2 4 0 0 7 1	0 6 - 2	24
R H 2 3 0 2 8 0	0 3	26	R V 2 4 0 0 8 1	0 6 - 2	23
R H 2 3 0 3 0 0	0 3	25	R V 2 4 0 0 9 1	0 6 - 2	16
R H 2 3 0 3 1 1	0 3	4	R V 2 4 0 1 0 0	0 6 - 2	1
R H 2 3 0 3 2 0	0 3	12	R V 2 4 0 1 1 0	0 6 - 2	2
R H 2 3 0 3 3 0	0 3	30	R V 2 5 0 0 7 0	0 4 D	1
R H 2 3 0 4 1 0	0 4 A - 1	4	S C 7 1 0 0 1 0	1 2	10
R H 2 3 0 4 1 0	0 4 A - 2	3	S F 2 4 0 0 5 0	0 6 - 1	3
R H 2 3 0 4 4 0	0 4 A - 1	12	S F 2 4 0 0 6 1	0 6 - 1	20
R H 2 3 0 4 4 0	0 4 A - 2	11	S G 2 3 0 0 0 0	0 4 B	29
R H 2 3 0 4 5 0	0 4 A - 1	14	S G 2 3 0 2 2 0	0 4 A - 1	8
R H 2 3 0 4 5 0	0 4 A - 2	13	S G 2 3 0 2 2 0	0 4 A - 2	7
R H 2 3 0 4 6 0	0 4 A - 1	13	S G 2 3 0 2 4 0	0 3	23
R H 2 3 0 4 6 0	0 4 A - 2	12	S G 2 3 0 2 6 0	0 5	3
R H 2 3 0 5 4 0	0 4 B	11	S G 2 3 0 2 8 0	0 4 D	6
R H 2 3 0 5 5 0	0 4 B	10	S G 2 3 0 3 0 0	0 4 C	17
R H 2 3 0 6 1 0	0 3	6	S G 2 3 0 3 7 0	0 3	14
R H 2 3 0 8 0 1	0 3	3	S G 2 5 0 0 6 0	0 4 D	21
R H 2 3 0 8 1 0	0 3	5	S G 2 5 0 2 3 0	0 4 D	22
R N 2 3 0 0 1 0	0 3	15	S G 2 7 0 0 0 0	0 4 D	11
R N 2 3 0 0 2 0	0 3	20	S G 2 7 0 0 5 0	0 4 C	20
R N 2 3 0 0 3 0	0 3	16	S G 2 7 0 0 6 0	0 4 C	22
R N 2 3 0 0 4 0	0 3	17	S G 2 7 0 0 7 0	0 4 C	23
R R 2 3 0 0 8 0	0 4 C	4	S G 2 7 0 0 8 1	0 2 C	4
R R 2 3 0 0 9 0	0 4 C	2	S G 2 7 0 0 9 0	0 2 C	6
R R 2 3 0 1 3 0	0 4 B	18	S G 2 7 0 1 1 0	0 4 C	26
R R 2 3 0 1 4 0	0 4 B	20	S G 2 7 0 1 2 0	0 4 C	25
R R 2 3 0 1 5 0	0 4 B	19	S G 2 7 0 1 3 0	0 4 D	10
R R 2 4 0 2 8 0	0 6 - 1	4	S G 2 7 0 1 4 0	0 4 D	7
R R 2 4 0 3 0 0	0 6 - 1	5	S G 2 7 0 1 8 0	0 4 D	13
R R 2 4 0 3 0 0	0 6 - 2	8	S J 2 2 0 0 1 0	0 1 A	19
R R 2 4 0 3 1 0	0 6 - 1	11	S J 2 4 0 0 1 0	0 6 - 2	21
R R 2 4 0 3 2 0	0 6 - 1	12	S J 2 7 0 0 1 0	0 2 A	7

